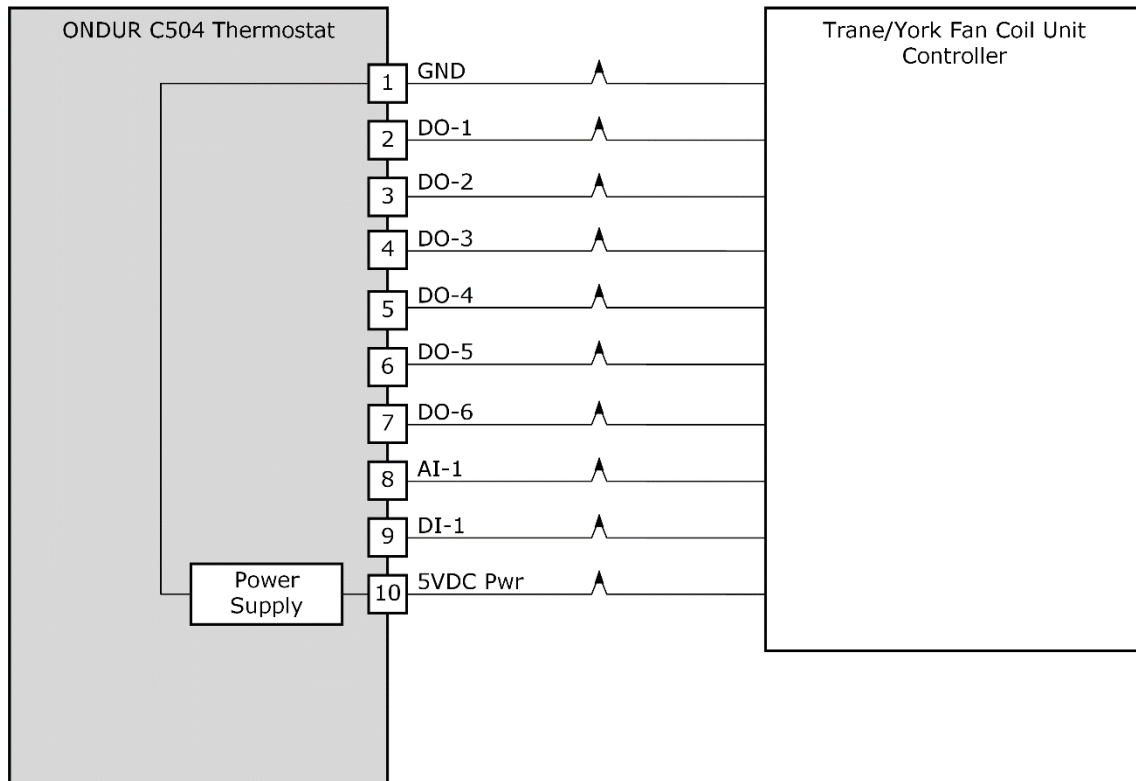


Model:003001.C504

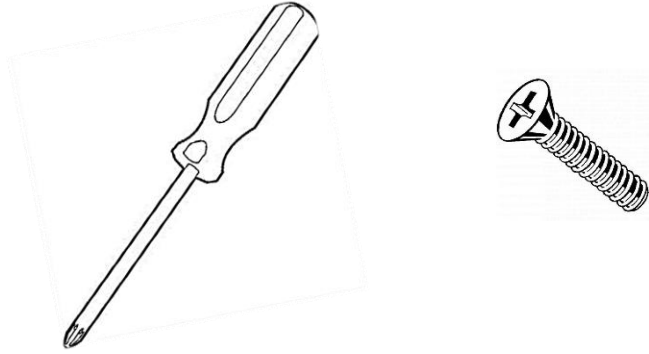


This is the guide for the ONDUR C504 thermostat. This thermostat directly controls specific Trane/York fan coil units

Typical wiring diagram for the C504



1 Tools



▲ Screwdriver

▲ Screws

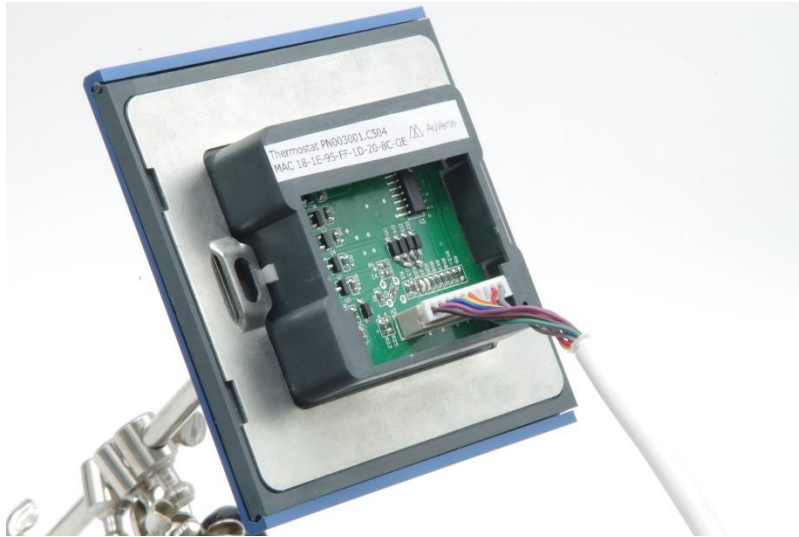
2 What's in the box

▲ ONDUR C504 thermostat

▲ Sheet metal mounting frame

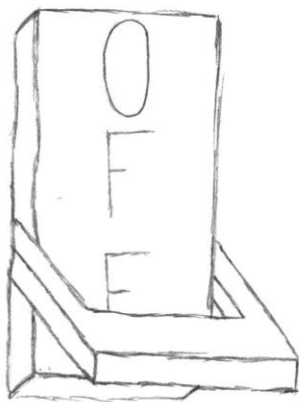
▲ Harness supplied at property.

3 Confirm thermostat model



▲ Ensure that the instrument being installed is the C504 ONDUR Thermostat.

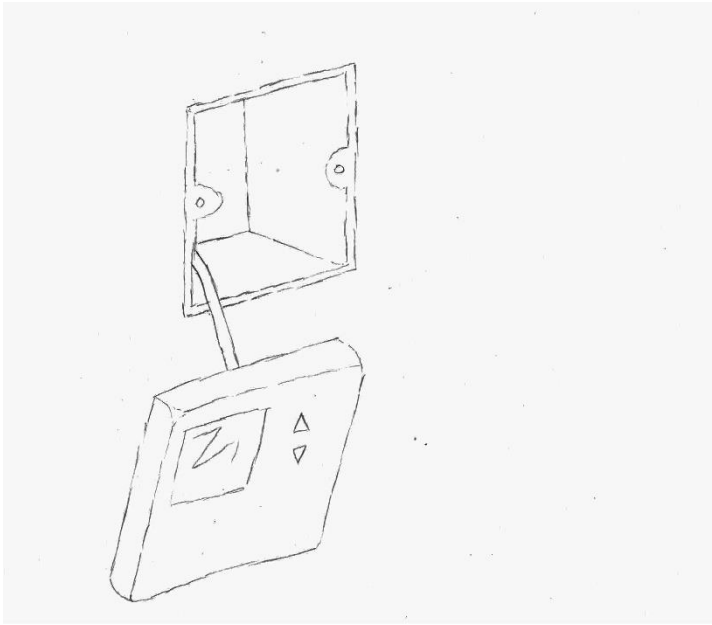
4 Turn off power to HVAC equipment



▲ Failure can cause injury or product malfunction

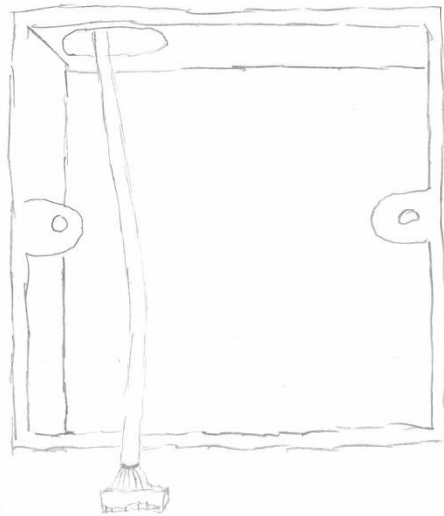
▲ Warranty is voided if product is installed under power.

5 Remove old thermostat



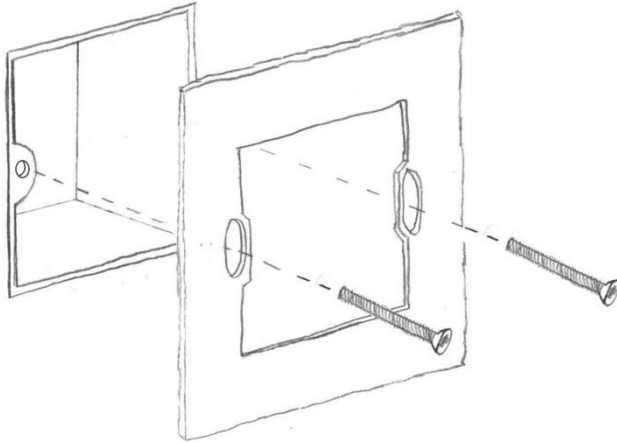
- ▲ Some thermostats require screws to be removed.
- ▲ Separate wires from thermostat and from inside the wall.

6 Evaluate wall box and wire harness



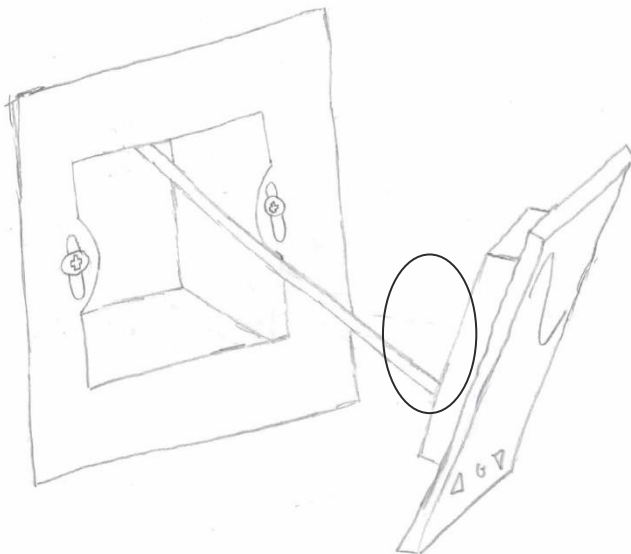
- ▲ Trim existing wires and prepare for later connections.
- ▲ Ensure enough room in the box for wires and connectors.

7 Install sheet metal mounting frame



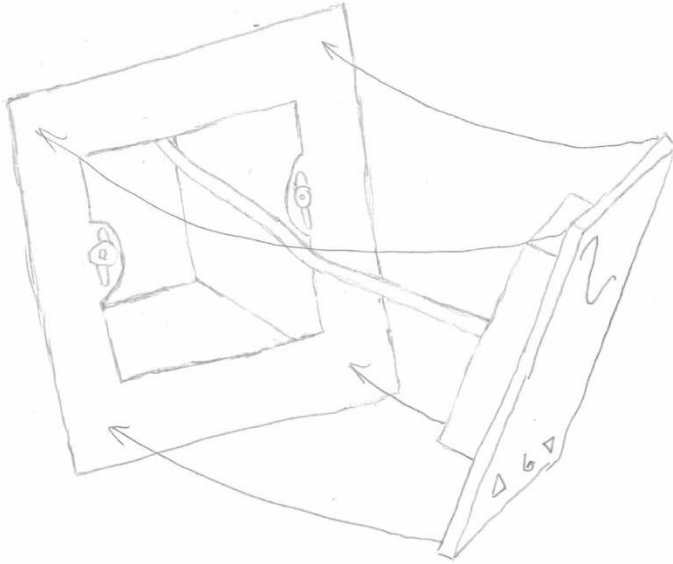
▲ Ensure that the mounting frame is level

8 Connect wiring harness



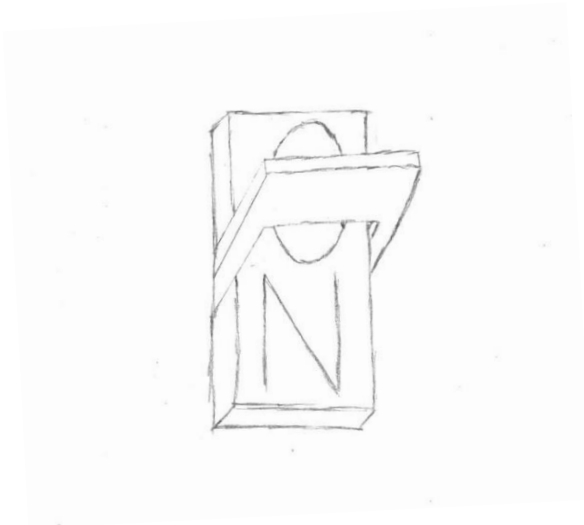
▲ Refer to site-specific wiring instructions.

9 Insert thermostat



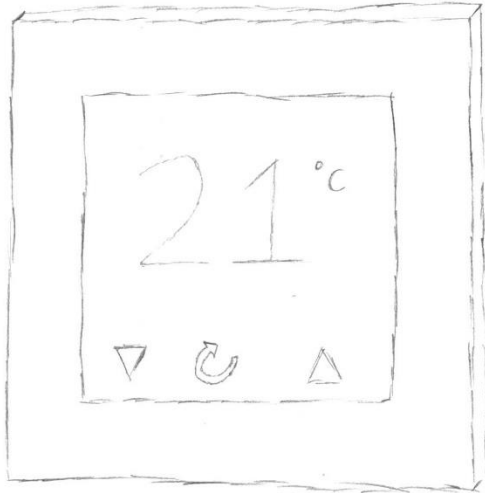
- ▲ Assure that all magnets have contact with sheet metal mounting frame.
- ▲ Confirm that the thermostat is level.

10 Restore power to HVAC equipment



- ▲ Confirm that the thermostat is powered.

11 Perform basic functional test



- ▲ Confirm that all fan speeds that are available work properly.
- ▲ Confirm cooling operation (if available).
- ▲ Confirm heating operation (if available).

12 Configure thermostat



- ▲ Refer to ONDUR configuration guide.

FCC STATEMENT :

This device complies with Part 15 of the FCC Rules. Operation is subject to the following two conditions:

- (1) This device may not cause harmful interference, and
- (2) This device must accept any interference received, including interference that may cause undesired operation.

Warning: Changes or modifications not expressly approved by the party responsible for compliance could void the user's authority to operate the equipment.

NOTE: This equipment has been tested and found to comply with the limits for a Class B digital device, pursuant to Part 15 of the FCC Rules. These limits are designed to provide reasonable protection against harmful interference in a residential installation. This equipment generates uses and can radiate radio frequency energy and, if not installed and used in accordance with the instructions, may cause harmful interference to radio communications. However, there is no guarantee that interference will not occur in a particular installation. If this equipment does cause harmful interference to radio or television reception, which can be determined by turning the equipment off and on, the user is encouraged to try to correct the interference by one or more of the following measures:

- Reorient or relocate the receiving antenna.
- Increase the separation between the equipment and receiver.
- Connect the equipment into an outlet on a circuit different from that to which the receiver is connected.
- Consult the dealer or an experienced radio/TV technician for help.

RF warning statement:

The device has been evaluated to meet general RF exposure requirement. The device can be used in portable exposure condition without restriction.