

The background features decorative curved lines. A thick grey line curves from the top left towards the bottom right. A green line follows a similar path, positioned below the grey one. The space between these lines is white.

novostella

Smart LED Security Light 40W

## Contact Us

Have some issue? No worries! Please reach us via these channels.  
Our customer services team is more than happy to help.



***support@novostella.net***



***www.novostella.net***



We are social. Get connected!



@Novostella\_US



@novostella\_official



@novostella\_official



fb.com/novostella.fans



@Novostella\_official

## Smart Security Light User Guide

---

Thank you for ordering from Novostella. Set-up is easy and takes only a few minutes by following the instructions.

- AC Power Hardwired, NOT Solar Powered, NOT Battery Powered.

**Part One - How to install the light? ..... 2 - 6**

**Part Two - How to pair the light to Smart Life app? ..... 7 - 13**

### Part One - How to install the light?

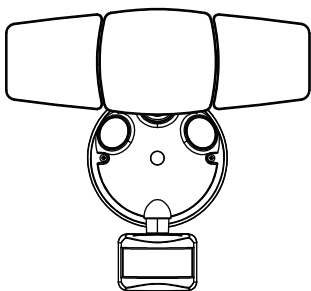
#### **Warning**


- (1) Please check if the light and the parts are intact before installation.
- (2) Make sure to cut off power before installation.
- (3) Please do not place this light in corrosive conditions.
- (4) If there is any damage to the cord, please cut off the power and stop using it immediately.
- (5) Please do not retrofit the light within the warranty period.
- (6) To ensure the light works properly, please use the voltage indicated on the packing.

## 1. Parameters

Model	NTA21
Wattage	40W
Color Temperature	5000K
Max Luminous Flux	4000lm
Input Voltage	AC120V
Frequency	50/60Hz
Max Detection Range	180°
Max Detection Distance	60Ft (<24°C)
Controlled By	BT Mesh
Life Expectancy	50000Hr
Working Temperature	-20°C-40°C

## 2. Components



 2 Screws

 3 Wire  
Connectors

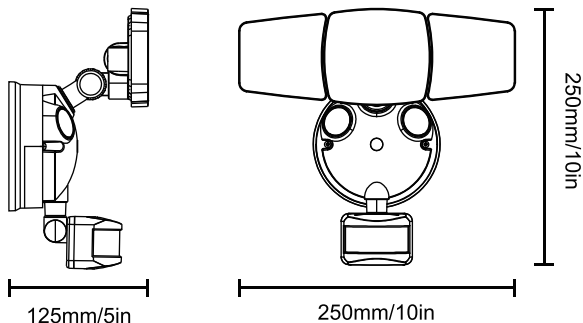
 Mounting Bolt

 Mounting Bracket

 Gasket

 Rubber Plug

### 3. Dimension

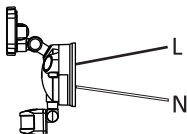


Weight: 1.25lb/0.57kg

### 4. Installation

#### Safety Information:

- This product must be installed in accordance with the applicable installation code by a person familiar with the construction and operation of the product and the hazards involved.
- Turn power OFF before installing.
- This product is intended for use with the enclosed gasket and with a junction box marked for use in wet locations.
- Install the height of the light fixture not lower than 5.5ft, to avoid disturbance from small animals on the ground within detection range.
- The sensor should be installed away from air conditioning, refrigerators, stoves and other sensitive to changes in air temperature, as well as windows and other strong hot air flow places, so as not to cause wrong action.
- When the air temperature is close to a person's body heat, the detection sensitivity will be reduced.

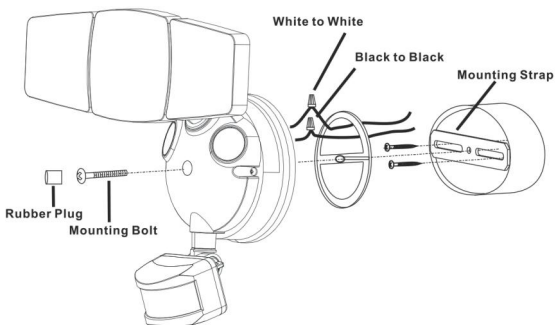


L—Black

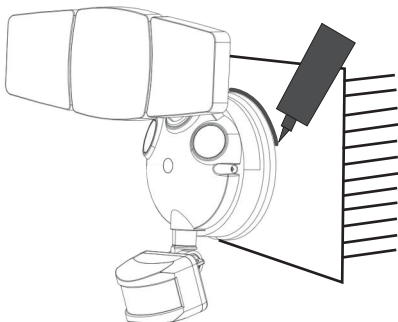
N—White

### Installations:

- For best performance, mount the light about 6.5-8ft above the ground.
- If the light is mounted higher than 8ft, aiming the sensor down will reduce the coverage distance.



1. Turn off the power.
2. Install the mounting strap as shown with two screws that fit your junction box.
3. Tighten the wires with wire connectors. L should be connected to Black wire, N should be connected to White wire.

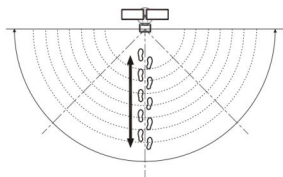


4. After mounting the light, apply silicone sealant completely around the perimeter of the cover plate where the back of the cover plate meets the mounting surface. Silicone sealant prevents water from seeping into the junction box.

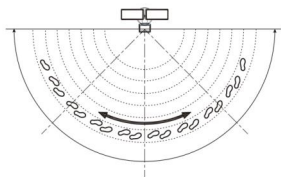
**Note:**

The motion sensor is less sensitive if in a radial movement, as shown below (picture 1).

The motion sensor is more sensitive if in a lateral movement, as shown below (picture 2).



picture 1



picture 2

## Part Two-How to pair the light to Smart Life app?



### Important notes before starting:

- Before starting the pairing, please make sure to turn on the Bluetooth on your phone, and the phone is connected to the Internet.
- Please make sure the Bluetooth signal is strong enough when you pair and set up the security light. We strongly recommend that the distance between the security light and your phone be kept within 65ft/20m.

### Step A : Smart Life app installation

Please choose either way below to download and install the app.

(1) As per your phone system, choose the QR code to scan.



iOS



Android

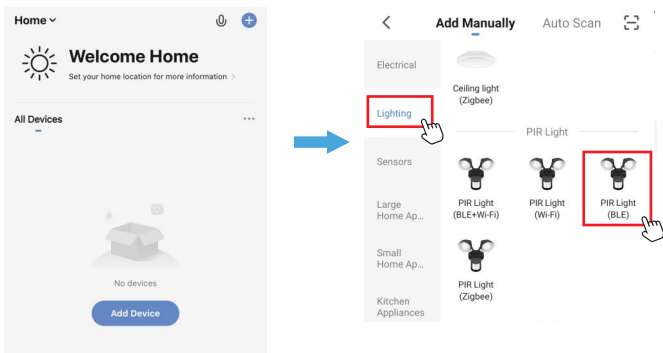
(2) Search keyword 'Smart Life' in Apple Store or Google Play.

**Step B:** Create an account on Smart Life and login.

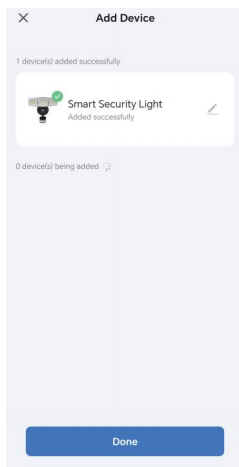
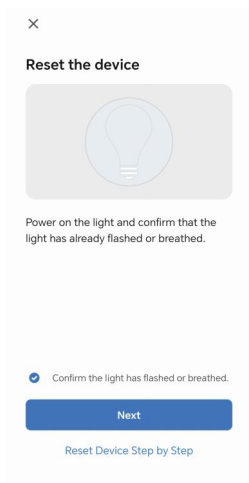


**Step C : Add the light to Smart Life App**

1. Tap '+' button on top right corner to add devices. Tap 'Lighting', then choose 'PIR Light (BLE)' to add the lights.



2. Power on the light with your own switch. Repeatedly turn on-off-on-off-on-off-on switch (3 times) to activate the light into rapid blinking status (about 0.5s per blink). Then click the 'Next' button on this page. Find the lighting devices and click '+'.  
\* Please make sure to keep an interval about 2 seconds between each turn-on and turn-off.  
\* After switch on-off 3 times, please wait for about 5 seconds, then the light will start to breathe, which means that it has been reset successfully.



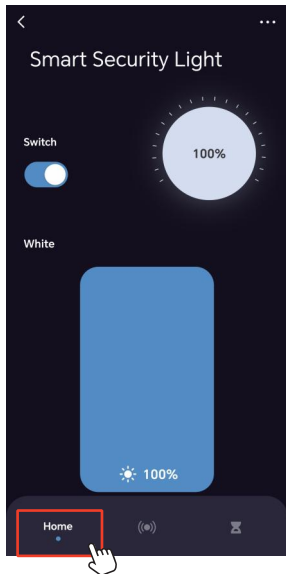
### 3. Give a name to the light.

The named light will be shown on the app homepage. Now you can control the light with Smart Life APP.

**Step D :** Control the lights.

**1. Manual Mode**

- (1) Click the 'Home' tab to enter the Manual Mode setting.
- (2) You can turn ON/OFF and adjust the brightness.

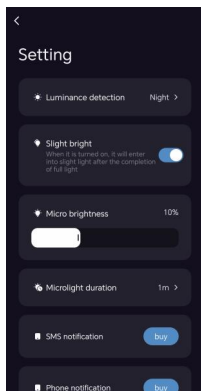
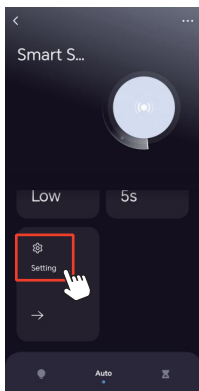
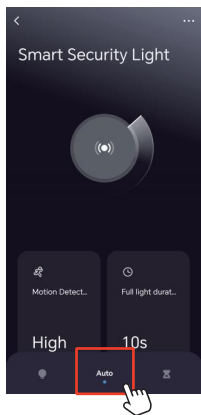


**Note:**

Manual Mode means you can manually control the ON/OFF or brightness, and **the motion detection function will be turned off**. If you need to switch back to Sensor Mode, please click the 'Auto' tab in APP.

## 2. Sensor Mode

- (1) Click the 'Auto' tab to enter the Sensor Mode setting.
- (2) You can set multiple functions of the sensor light here: sensor distance, day and night control setting, lighting time setting and lighting mode setting.

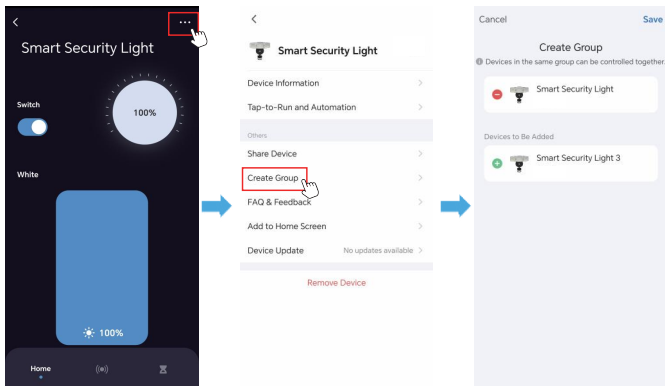


## How to group the security lights?

- \* Please make sure the distance of each light is kept within 65ft/20m, before creating a group.
- \* Please note all the lights need to be the same model and already paired to Smart Life app.

1. Choose any light on the app, click the edit button on the top right corner, then click "Create Group".
2. Choose the lights you want to group from the device list and rename the group.

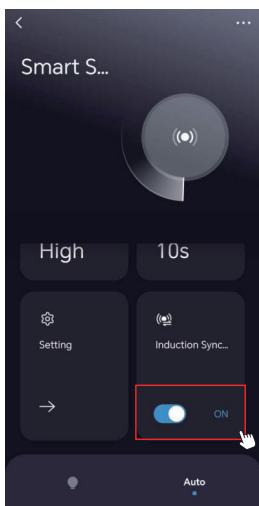
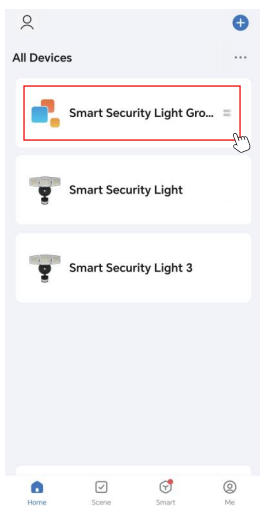
Now you can control the lights together in the group.



## How to activate the induction synchronization function in the group?

Induction synchronization function: When any light in the group is inducted, the signal is synchronized to all the sensor lights in the group, and all the lights will be turned on.

1. Choose the group.
2. Click the 'Auto' tab and turn on the 'Induction Sync' button.



Wireless Control Specification:

Wireless Frequency Range: 2.4-2.4835 GHz

Wireless Communications Protocol: BLE4.0

## FCC ID: 2AWONNTA21

Federal Communication Commission(FCC)Statement for Users Warning:  
Changes or modifications not expressly approved by the party responsible for compliance could void the user's authority to operate the equipment.

This device complies with part 15 of the FCC Rules.

Operation is subject to the following two conditions:

- (1) This device may not cause harmful interference, and
- (2) this device must accept any interference received, including interference that may cause undesired operation.

This equipment complies with FCC radiation exposure limits set forth for an uncontrolled environment.

NOTE: This equipment has been tested and found to comply with the limits for a Class B digital device, pursuant to part 15 of the FCC Rules. These limits are designed to provide reasonable protection against harmful interference in a residential installation. This equipment generates, uses and can radiate radio frequency energy and, if not installed and used in accordance with the instructions, may cause harmful interference to radio communications.

However, there is no guarantee that interference will not occur in a particular installation. If this equipment does cause harmful interference to radio or television reception, which can be determined by turning the equipment off and on, the user is encouraged to try to correct the interference by one or more of the following measures:

- Reorient or relocate the receiving antenna.
  - Increase the separation between the equipment and receiver.
  - Connect the equipment into an outlet on a circuit different from that to which the receiver is connected.
  - Consult the dealer or an experienced radio/TV technician for help.
- To maintain compliance with FCC's RF Exposure guidelines, This equipment should be installed and operated with minimum distance between 20cm the radiator your body: Use only the supplied antenna.

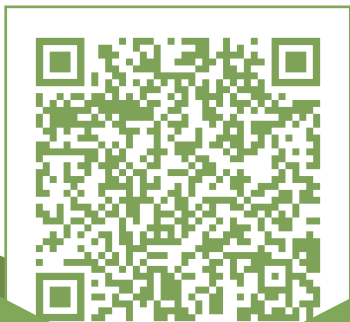
**The light source of this luminaire is not replaceable, when the light source reaches its end of life the whole luminaire shall be replaced.**

SUITABLE FOR WET LOCATIONS;

SUITABLE FOR OPERATION IN AMBIENT NOT EXCEEDING 40°C;

# novostella

## E-manual



Step 1: Scan the QR code

Step 2: Click E-manual PDF file

Step 3: Read file online or download



Go paper-free, make life easier, and do something good for the environment.

