



Product specification

Description: media player

Model: JR1934BT

Customer Approved (客户确认)

Approved 批准	Checked 审核	Prepared 制作

List

1. Scope of application.....	3
2. Electrical parameters.....	3
3. Function description.....	3
4. Physical map.....	4
5. Block diagram.....	4
6. Schematic diagram.....	5
7. Structure size chart.....	5
8. PCB wiring diagram.....	6
9. Wiring diagram.....	7
10. Package.....	7
11. Precautions.....	7
12. Test items.....	8

Version history

DATE	Version	Modify the content
2020-10-30	Rev: 1.0	The new formulation

1. Scope of application

Application product number:
Application product name:
Application component: body

2. Electrical parameters

Working voltage: DC12V Working current: playing music $\leq 800\text{mA}$

Operating voltage range: DC8V~14V

Storage temperature: -20°C ~ $+70^{\circ}\text{C}$ Working temperature: 0°C ~ $+60^{\circ}\text{C}$
Relative humidity: 45%~85%

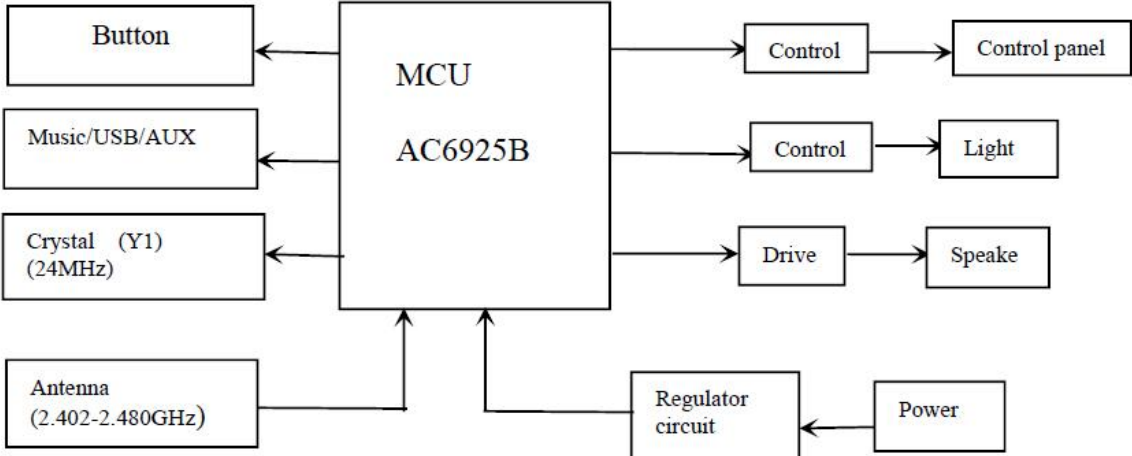
3. Function description

1. Power on, play a car engine sound, and then enter the standby state.
2. Mode button: control playback source: Bluetooth—USB—built-in music and story.
3. Volume- \ Previous key: In the built-in music USB BT mode: short press this key to switch to the previous music; long press this key for 2 seconds without letting go, the volume decreases.
4. Volume + \ Next key: In the built-in music USB BT mode: short press this key to switch to the next music; long press this key for 2 seconds without letting go, the volume increases.
5. Pause/Play button: control multimedia playback and pause.

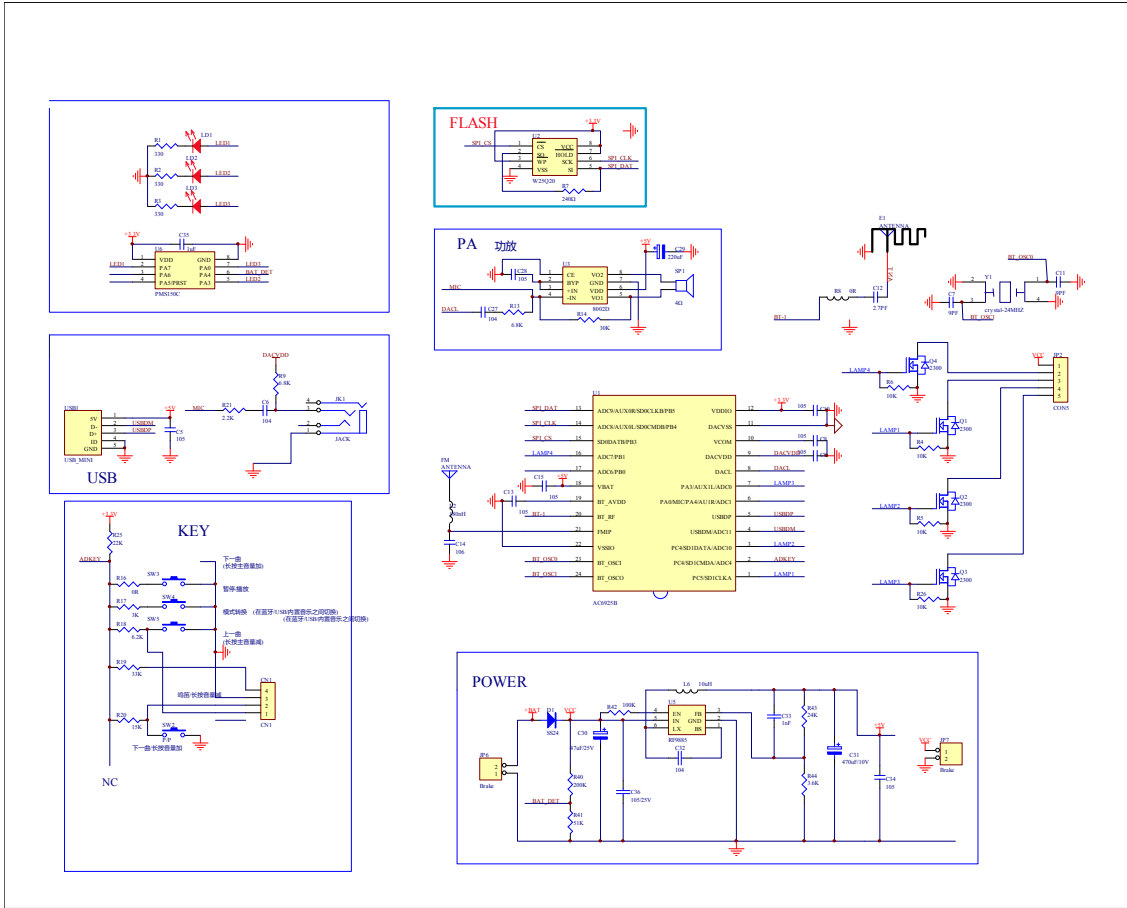
4. Physical map



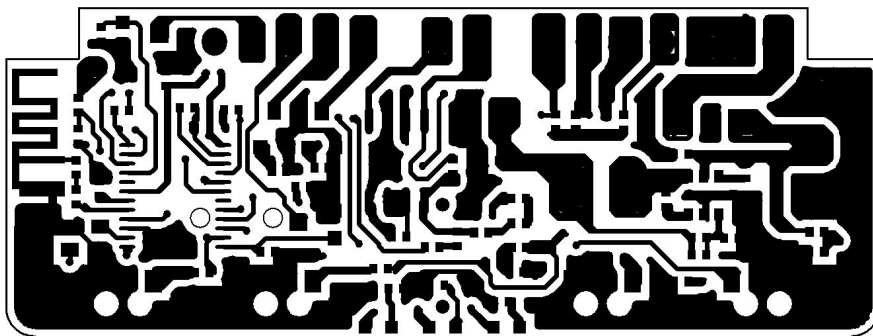
5. Block diagram



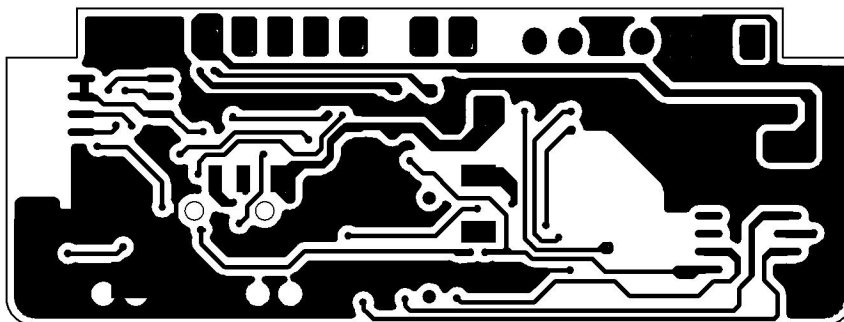
6. Schematics diagram



7. Structure size chart



60*23*1.2



60*23*1.2

8. Packaging

1. Visual inspection after wave soldering is completed to check whether the appearance meets the requirements. There should be no false soldering, false soldering, short circuit, open circuit and other undesirable phenomena. There is no tin slag, tin bead and other sundries on the substrate, and the board surface is clean and tidy without stains.

2. After passing the test, assemble the rubber shell, 50pcs per box, and separate each layer with cardboard.

9. Precautions

1. The input voltage cannot exceed the voltage value specified in the specification to prevent damage to the electronic board

2. The polarity of the positive and negative plugs of the power supply can not be reversed. Reversed connection will burn the electronic board and cannot be used normally.

3. Pay attention to anti-static measures when contacting the substrate during processing, assembly, and operation to avoid damage to the substrate

4. After the product is packaged, please handle it gently to prevent collision and damage to the substrate

10. Test items

1. Test tools: DC power supply, COB test frame

2. Test parameters: DC voltage: DC14V

3. Test content:

a. Put the COB board to be tested into the test rack in the correct way

b. Test procedure

FCC Caution.

(1)§ 15.19 Labelling requirements.

This device complies with part 15 of the FCC Rules. Operation is subject to the following two conditions: (1) This device may not cause harmful interference, and (2) this device must accept any interference received, including interference that may cause undesired operation.

§ 15.21 Changes or modification warning

Any Changes or modifications not expressly approved by the party responsible for compliance could void the user's authority to operate the equipment.

§ 15.105 Information to the user.

Note: This equipment has been tested and found to comply with the limits for a Class B digital device, pursuant to part 15 of the FCC Rules. These limits are designed to provide reasonable protection against harmful interference in a residential installation. This equipment generates uses and can radiate radio frequency energy and, if not installed and used in accordance with the instructions, may cause harmful interference to radio communications. However, there is no guarantee that interference will not occur in a particular installation. If this equipment does cause harmful interference to radio or television reception, which can be determined by turning the equipment off and on, the user is encouraged to try to correct the interference by one or more of the following measures:

- Reorient or relocate the receiving antenna.
- Increase the separation between the equipment and receiver.
- Connect the equipment into an outlet on a circuit different from that to which the receiver is connected.
- Consult the dealer or an experienced radio/TV technician for help.