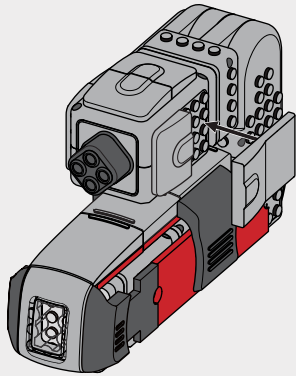


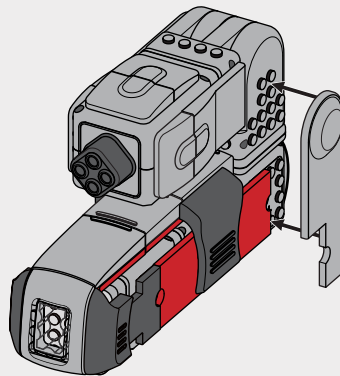
24

1x 



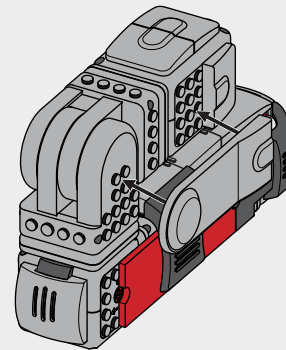
25

1x 



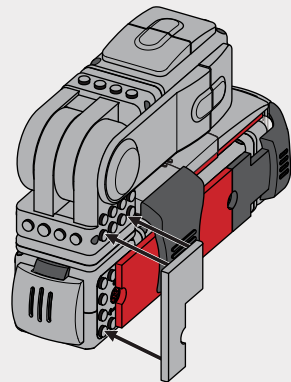
26

1x 



27

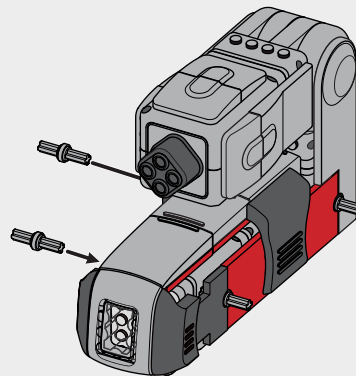
1x 



38

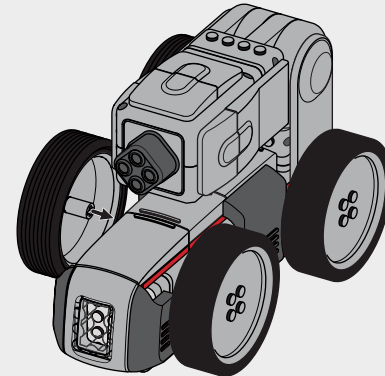
28

4x 



29

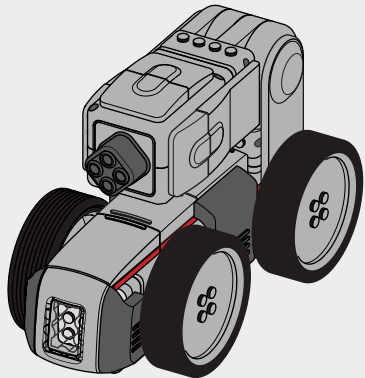
4x 



—

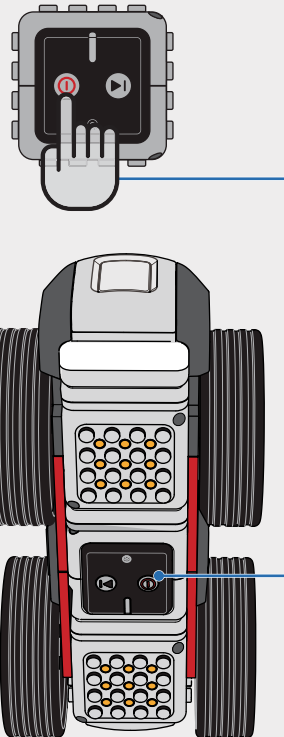
30

Finish



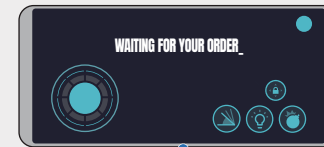
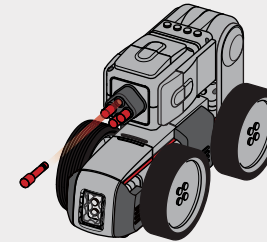
31

Turn on Window cube








32

Playing with App



NOTE

Maunzi RC App - Cobi control mode

-  Joystick controls motion direction
-  Direction fix fixes motion direction
-  Light turn on or off light
-  Angle Control angle degree
-  Cannon Discharge cannon bombs



email info@maunzi.com
site www.maunzi.com
facebook www.facebook.com/Maunzi.Robot/

CERTIFICATION

Korea Patent	10-1605059
China Design Patent	201630507073X
Europe Design Patent	003414838-0001
USA Trademark Patent	87/567443
China Patent	201711136991.6

GOLDRABBIT CO., LTD.

If you would like to purchase the product, Please contact the e-mail or office

office +82 70-8885-2238
email info@goldrabbit.net
site www.goldrabbit.net