

# VISUALITE® TRACK LIGHTS

## ■ PRODUCT FEATURES

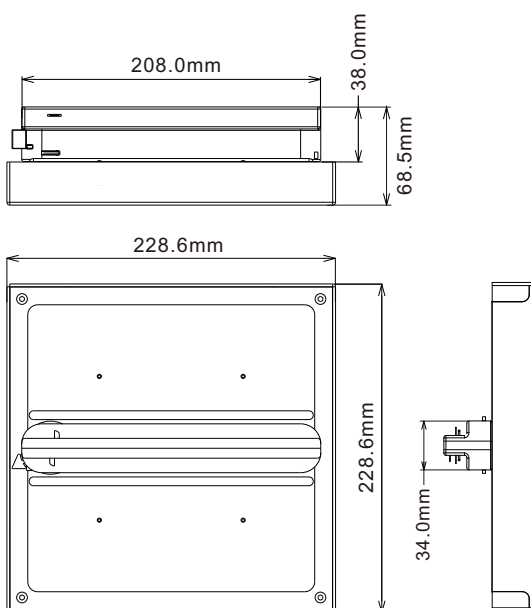
- Item Type: TRACK LIGHTS
- Light Source: LED
- Dimming type: 10%-100% PWM Dimming using bluetooth
- Application: supermarket, chain stores, St
- Track System: 3 line 1 circuit track
- Color Rendering Index (Ra): >80
- Design Style: Sculpture
- Lifespan (hours): 50000
- Lamp Body Material: Aluminum
- Material: Aluminium+acrylic Diffuser
- IngressProtection (IP) Rating: IP20
- Warranty: 5years



## ■ ELECTRICAL SPECIFICATION

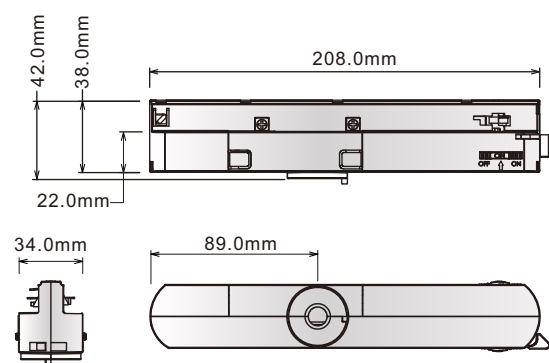
Wattage (W)	Input Voltage (V)	CCT	Color Tolerance	Lighting Efficiency	Sytem Lumen Output	THD	Dimming Range	Temperature	Withstand Weight	Dimension L x W x H (Inch)	Model Number <sup>(3)</sup>
5	120V	4000K	3 SDCM	110lm/w	500lm (+/-10%)	<20%	10%~100% OFF	Storage:-25°C~55°C Operation:-15°C~50°C	50N	9 x 9 x 2.7	SCT09
7	120V	4000K	3 SDCM	110lm/w	800lm (+/-10%)	<20%	10%~100% OFF	Storage:-25°C~55°C Operation:-15°C~50°C	50N	12 x 12 x 2.7	SCT12
12	120V	4000K	3 SDCM	110lm/w	1400lm (+/-10%)	<20%	10%~100% OFF	Storage:-25°C~55°C Operation:-15°C~50°C	50N	18 x 18 x 2.7	SCT18

## ■ TRACK LIGHT DIMENSIONS (mm)



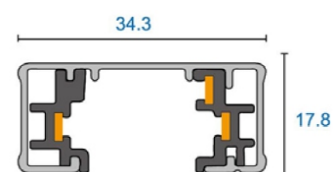
## ■ TRACK ADAPTOR DIMENSIONS (mm)

Notes : used for 3 line 1 circuit track system



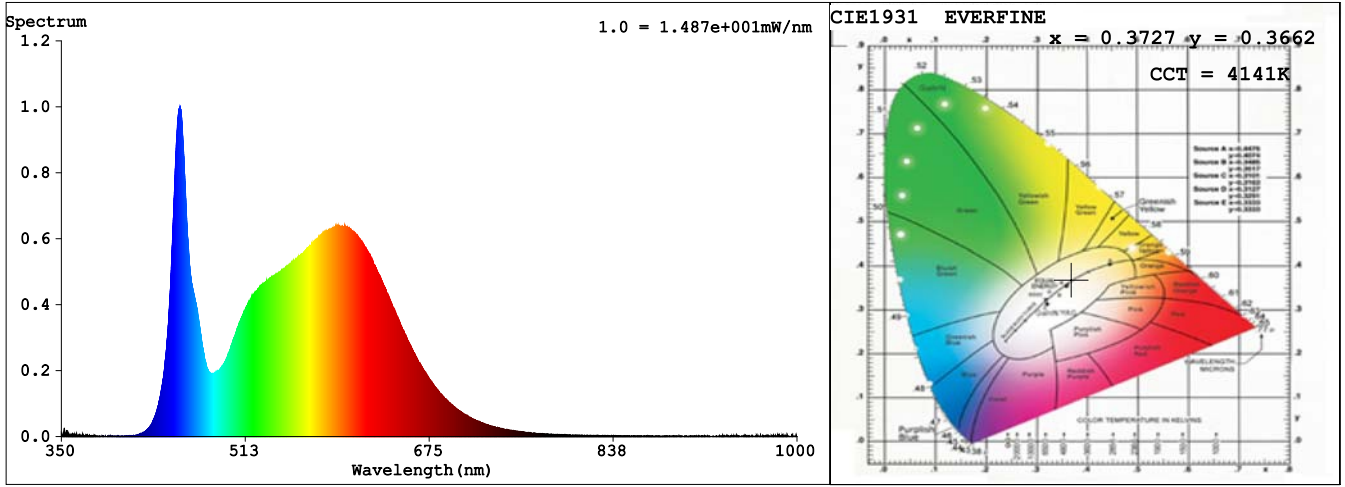
## ■ TRACK DIMENSIONS (mm)

Notes : 3 Circuits track-2000mm/3000mm/4000mm

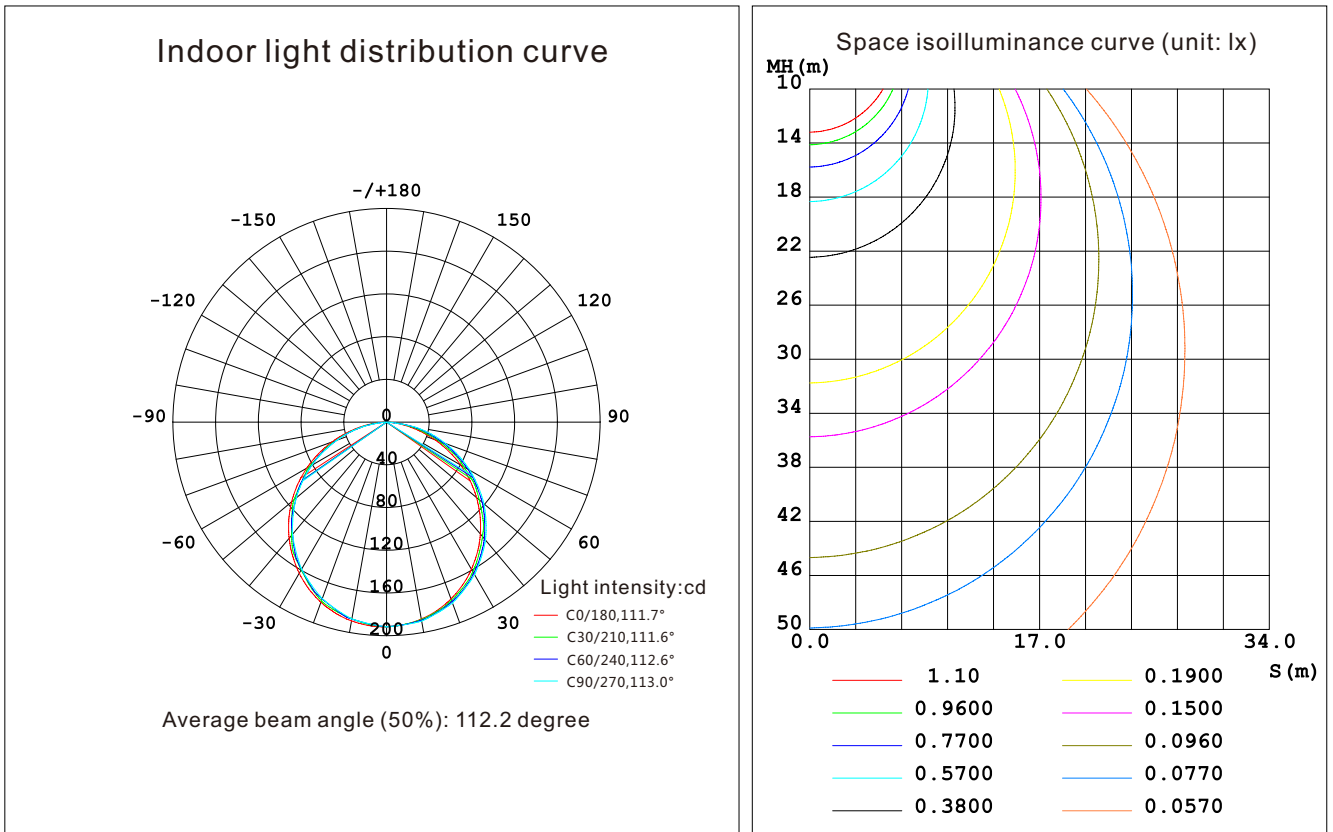


# VISUALITE<sup>®</sup> TRACK LIGHTS

## ■ SPECTRUM ( STC09 )

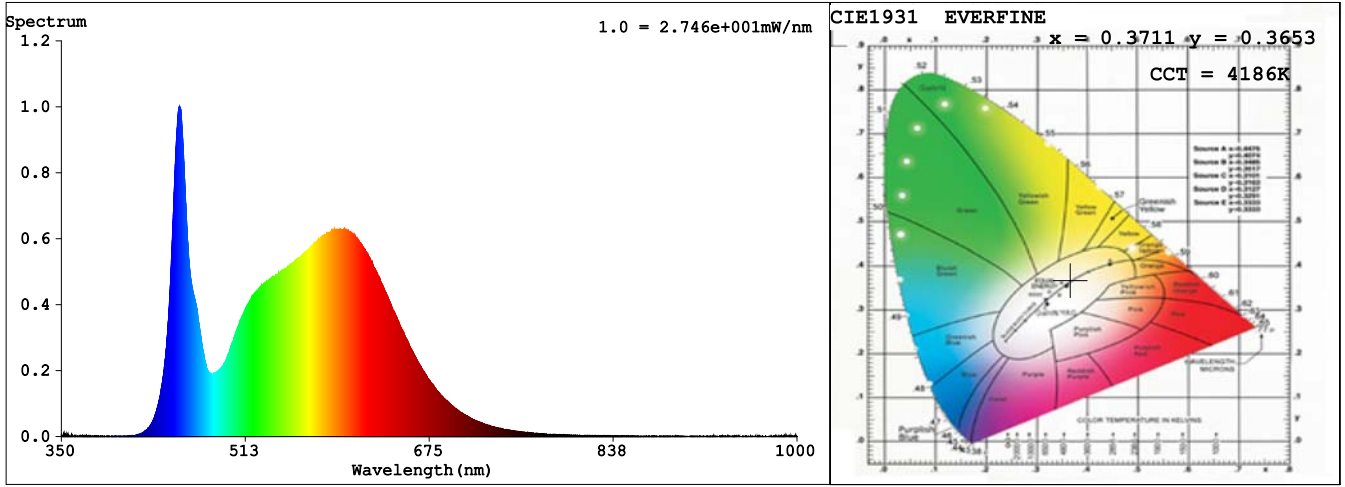


## ■ LIGHT SOURCE CURVE ( STC09 )

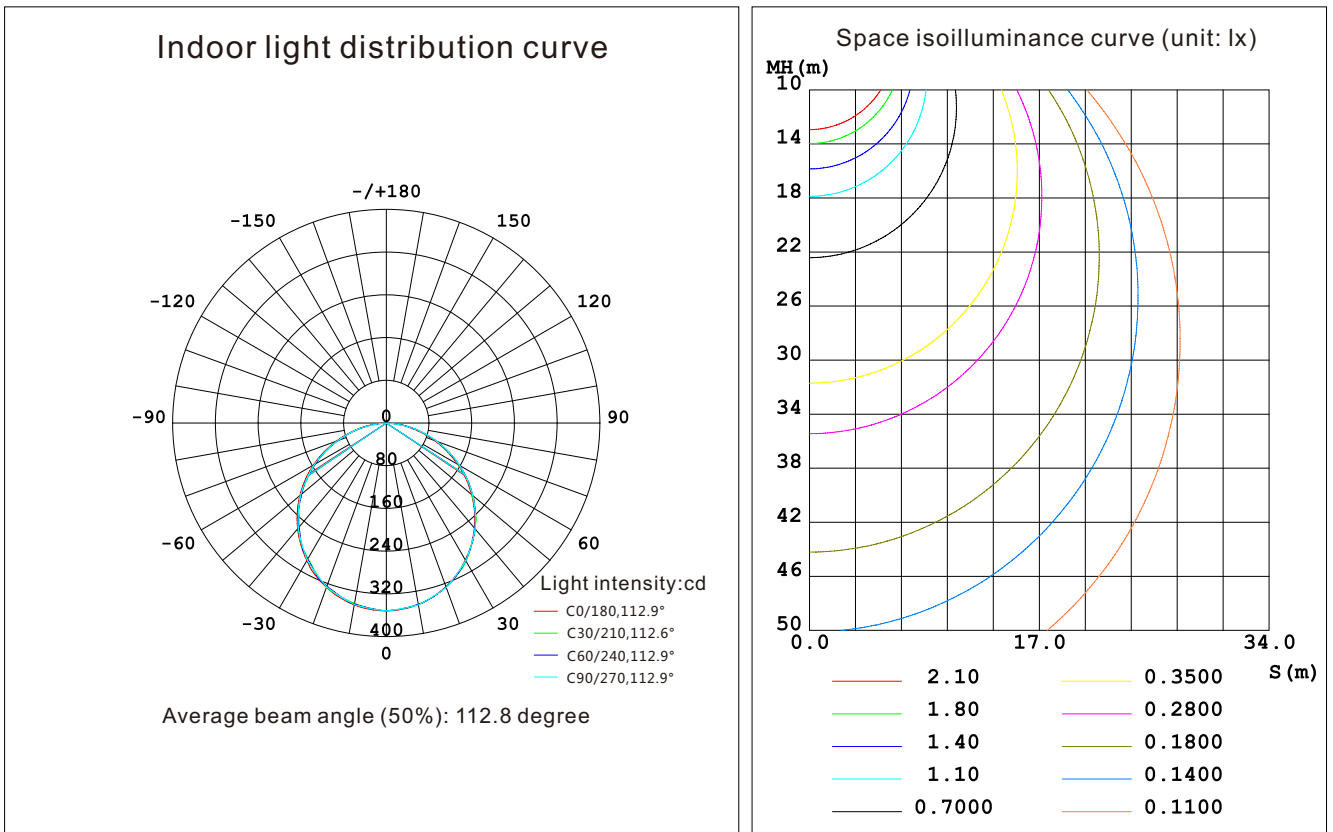


# VISUALITE® TRACK LIGHTS

## ■ SPECTRUM ( STC12 )



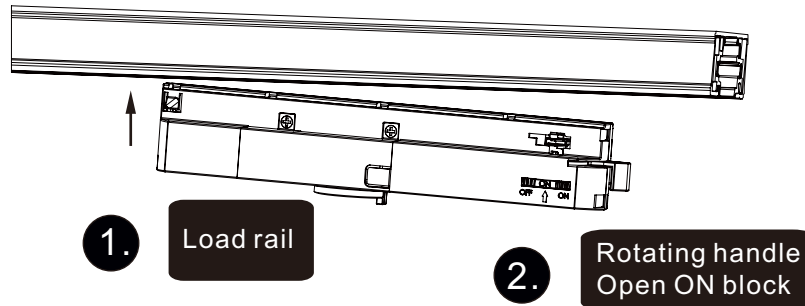
## ■ LIGHT SOURCE CURVE ( STC12 )



# VISUALITE<sup>®</sup>

## TRACK LIGHTS

### ■ INSTALLATION NOTES



### ■ TROUBLESHOOTING

ABNORMAL: The ultimate track connector is not powered, and the lamps cannot be lit:

- After installing the track, the shaft handle must be opened to connect to the mains;
- The switch must be turned to the "ON" position;

### ■ DISCLAIMER

- This product is suitable for indoor LED lamps and cannot be used outdoors;
- If the product fails, it should be returned to the factory for repair in time, and self-repair is prohibited;
- It is forbidden to apply paint, glue, etc. to this product;

#### FCC Warning

This device complies with part 15 of the FCC rules. Operation is subject to the following two conditions: (1) this device may not cause harmful interference, and (2) this device must accept any interference received, including interference that may cause undesired operation.

Changes or modifications not expressly approved by the party responsible for compliance could void the user's authority to operate the equipment.

NOTE: This equipment has been tested and found to comply with the limits for a Class B digital device, pursuant to part 15 of the FCC Rules. These limits are designed to provide reasonable protection against harmful interference in a residential installation. This equipment generates uses and can radiate radio frequency energy and, if not installed and used in accordance with the instructions, may cause harmful interference to radio communications. However, there is no guarantee that interference will not occur in a particular installation. If this equipment does cause harmful interference to radio or television reception, which can be determined by turning the equipment off and on, the user is encouraged to try to correct the interference by one or more of the following measures:

- Reorient or relocate the receiving antenna.
- Increase the separation between the equipment and receiver.
- Connect the equipment into an outlet on a circuit different from that to which the receiver is connected.
- Consult the dealer or an experienced radio/TV technician for help.

#### Radiation Exposure Statement

This equipment complies with FCC radiation exposure limits set forth for an uncontrolled environment. This equipment should be installed and operated with minimum distance 20cm between the radiator and your body.