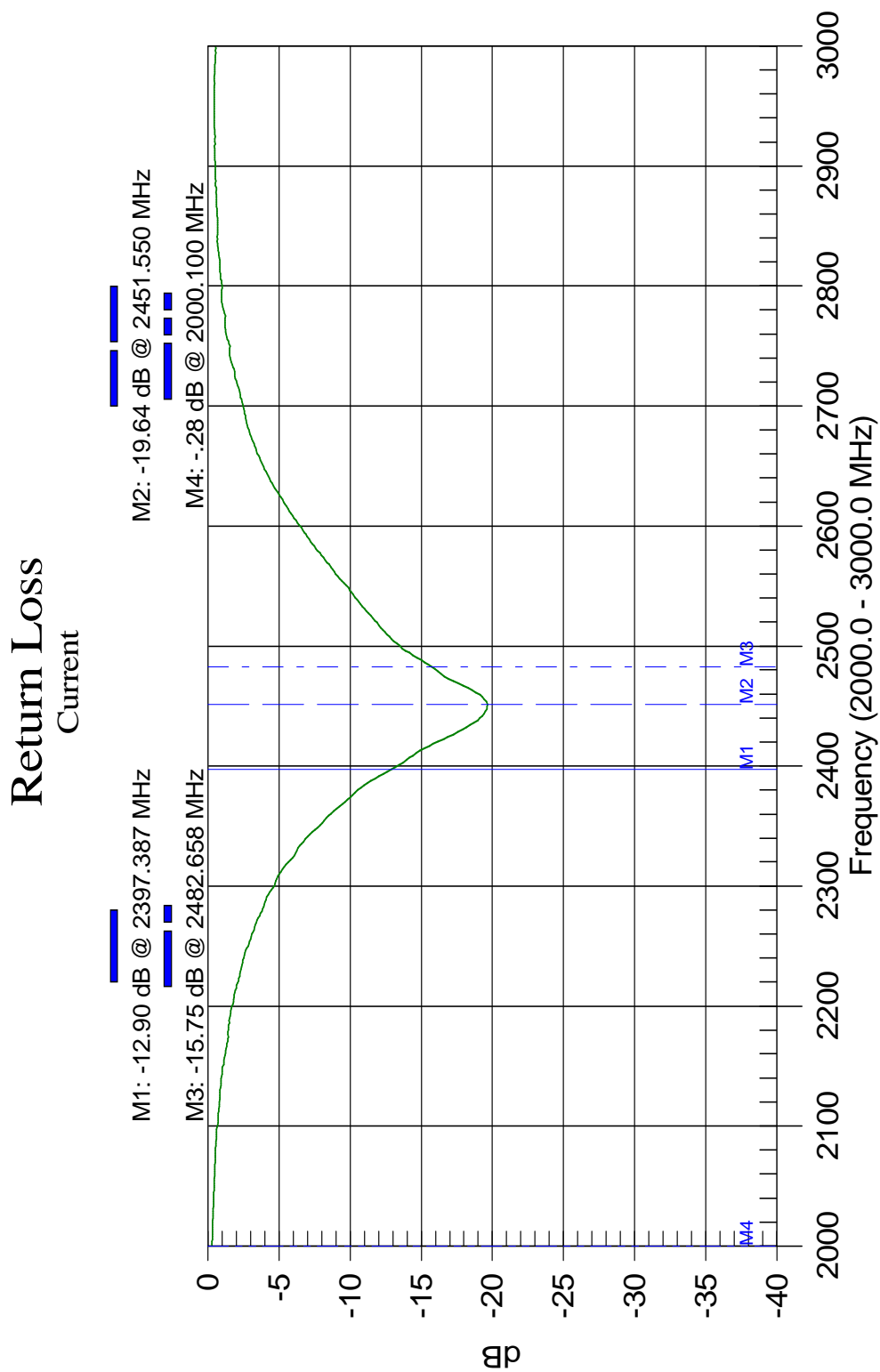


Antenna Parameter

No.	Item	Specifications
1	Impedance	50 Ω
2	Band Width	2400~2525MHZ
3	MAX. Gain	-5.19dbi
4	Chip model	Si24R1
5	Version	V1.0
6	Manufacture	SHENZHEN B&T TECHNOLOGY Co.,Ltd
7	Address	7th Floor, Block B, Huafeng Second Industrial Park, Hangkong Road, Xixiang Street, Bao 'an District, Shenzhen

2.Return Loss and Smith Chat



Resolution: 517
Std: ---
Date: Sep/
Model: S332D

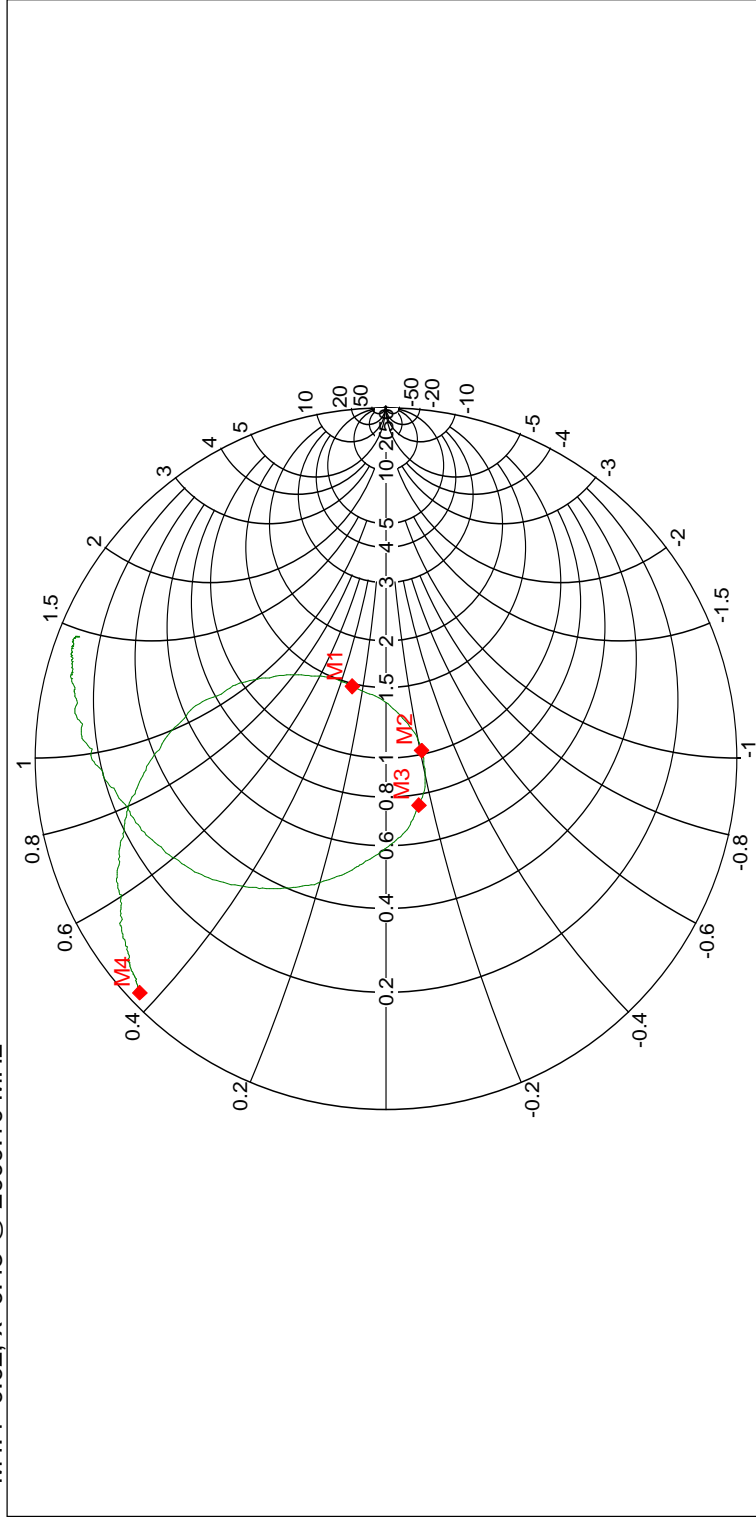
FlexCAL:ON(COAX)
Channel: N/A
Time: 14:16:43
Serial #: 00924093

CW: ON

3. Physical Test Environment Antitsu S332D

Smith Chart Current

◆ M1: $r=1.48, x=0.30$ @ 2397.387 MHz
 ◆ M2: $r=1.02, x=-0.21$ @ 2451.65 MHz
 ◆ M3: $r=0.75, x=-0.14$ @ 2482.658 MHz
◆ M4: $r=0.02, x=0.43$ @ 2000.10 MHz

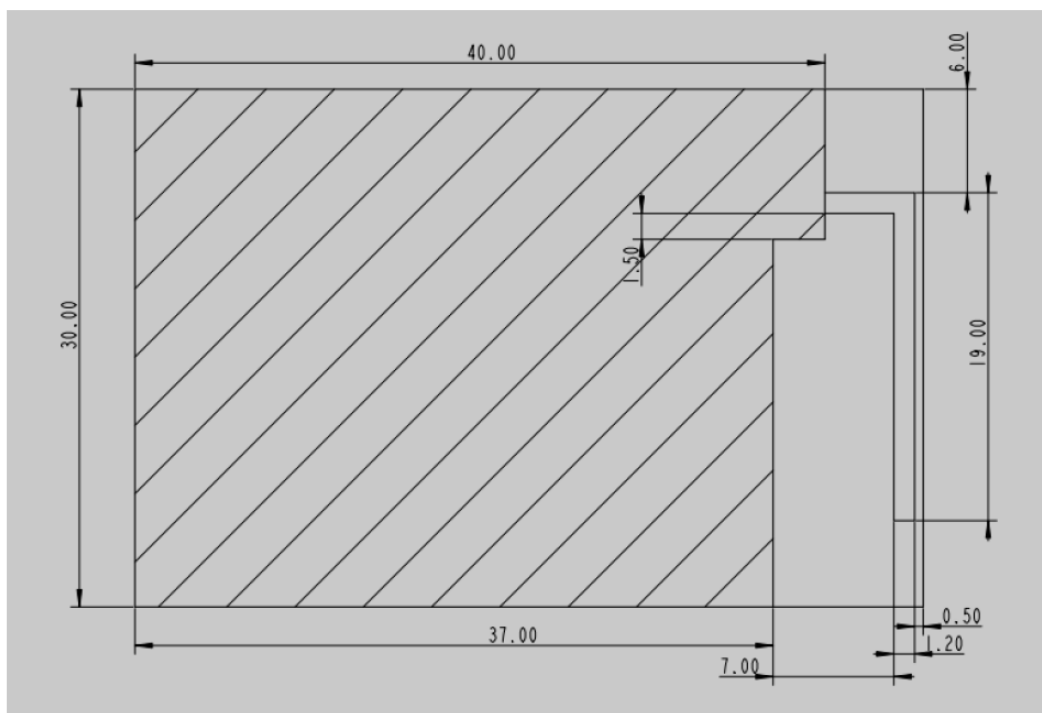


Resolution: 517
 Date: Sep/
 Model: S332D

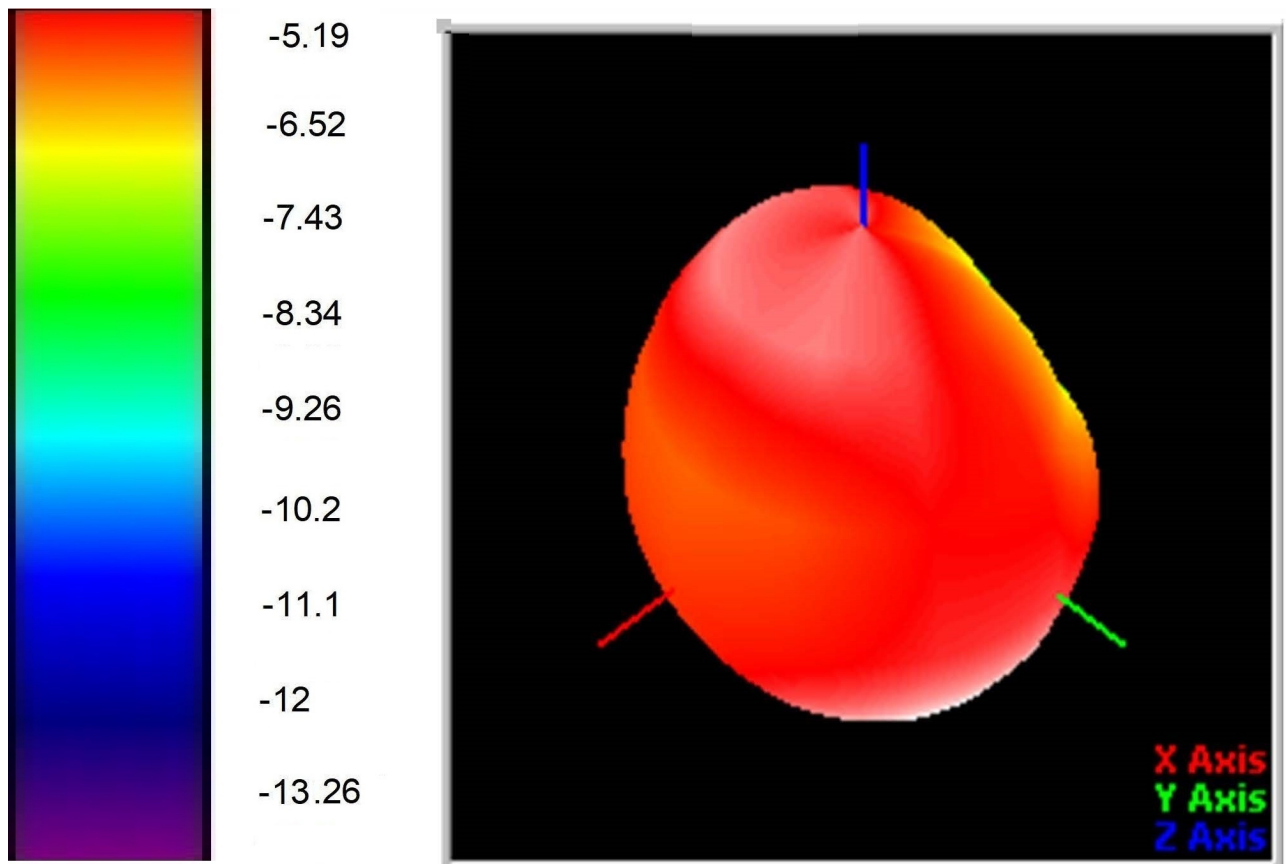
FlexCAL:ON(COAX)
 Time: 14:16:43
 Serial #: 00924093

CW ON
 Prop. Vel.: 800

1. 天线模型图 (单位: mm)



Total



unit:dBi