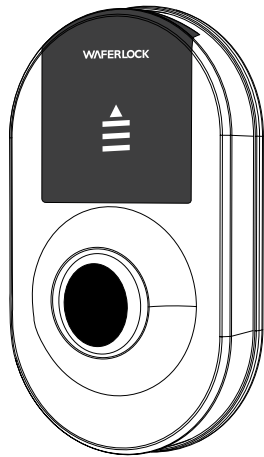
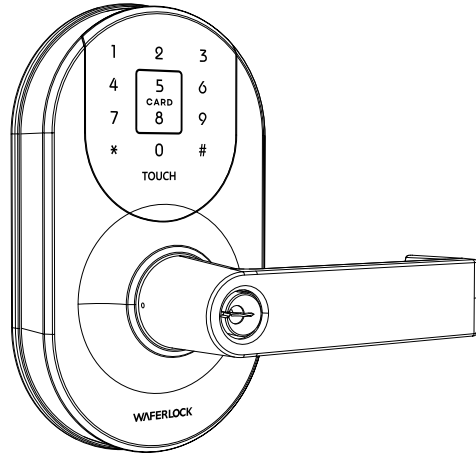


2 Inner Unit



1 Outer Unit Including Lever



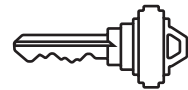
3 Inner Lever



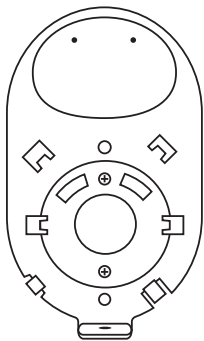
8 M3 Screws (Black) X 3



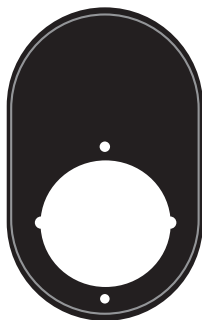
13 Keys



4 Inner Fixing Plate



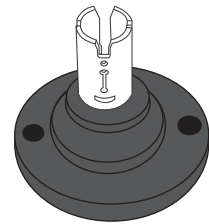
5 Rubber Plate X2



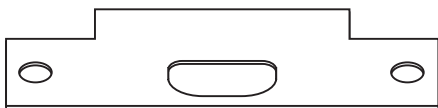
9 M3 Screw



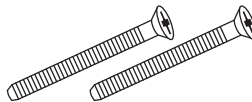
14 Inner Lever Handle Set



6 Strike Plate



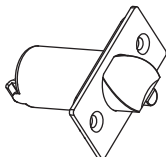
10 Fixing Screws X 2



15 Dismantling Lever/ Door Thickness Adjusting Tool



7 Latch Set



11 Fixing Screws for Latch Set X 2



16 Battery(AAA)



12 Fixing Screws for Strike Plate X2



Federal Communication Commission Interference Statement

This equipment has been tested and found to comply with the limits for a Class B digital device, pursuant to Part 15 of the FCC Rules. These limits are designed to provide reasonable protection against harmful interference in a residential installation.

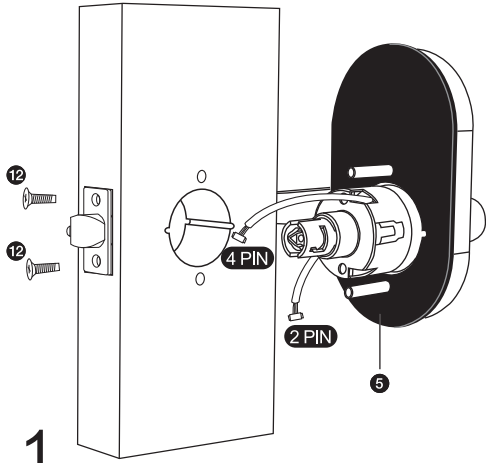
This equipment generates, uses and can radiate radio frequency energy and, if not installed and used in accordance with the instructions, may cause harmful interference to radio communications. However, there is no guarantee that interference will not occur in a particular installation. If this equipment does cause harmful interference to radio or television reception, which can be determined by turning the equipment off and on, the user is encouraged to try to correct the interference by one of the following measures:

- . Reorient or relocate the receiving antenna.
- . Increase the separation between the equipment and receiver.
- . Connect the equipment into an outlet on a circuit different from that to which the receiver is connected.
- . Consult the dealer or an experienced radio/TV technician for help.

FCC Caution: To assure continued compliance, any changes or modifications not expressly approved by the party responsible for compliance could void the user's authority to operate this equipment. (Example - use only shielded interface cables when connecting to computer or peripheral devices).

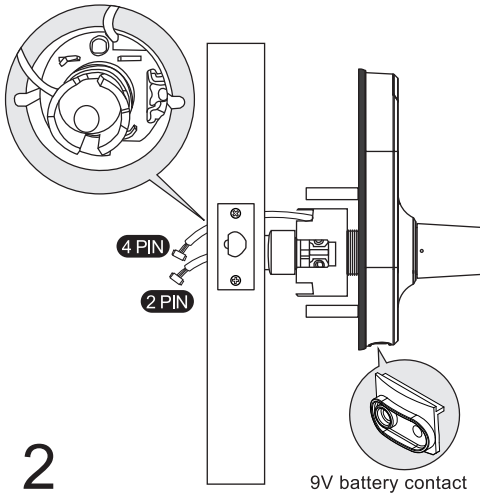
This device complies with Part 15 of the FCC Rules. Operation is subject to the following two conditions:

- (1) This device may not cause harmful interference, and
- (2) This device must accept any interference received, including interference that may cause undesired operation.



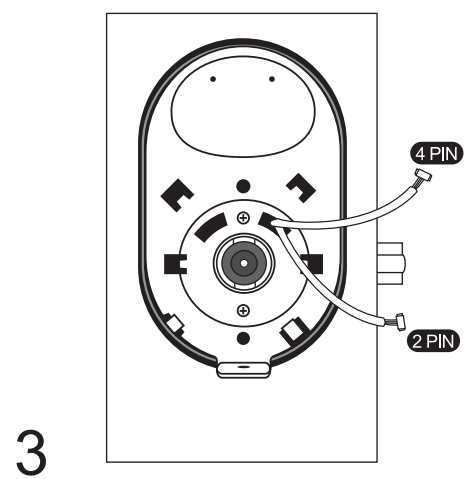
1

1. Install latch set with correct direction.
2. Place the rubber plate correctly on the outer unit.



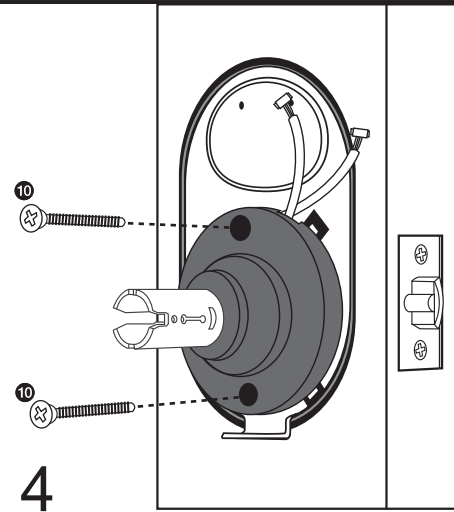
2

1. Install outer unit through the cutting hole.
2. Make sure the outer unit connect latch set properly.
3. When no power, please use 9V battery to temporarily power the lock.



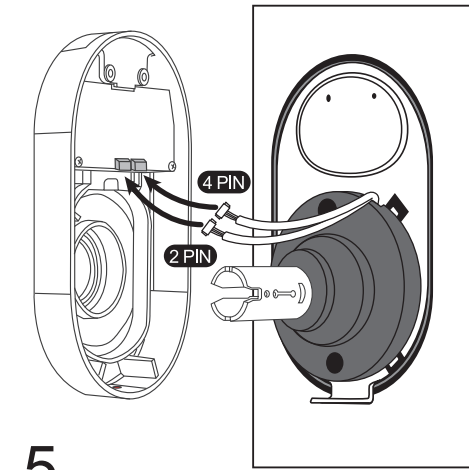
3

1. Match inner fixing plate with rubber plate.
2. Make sure the inner plate at the center of rubber plate.
3. Pull the cables of outer unit through the hole of inner fixing plate nearer the latch set.



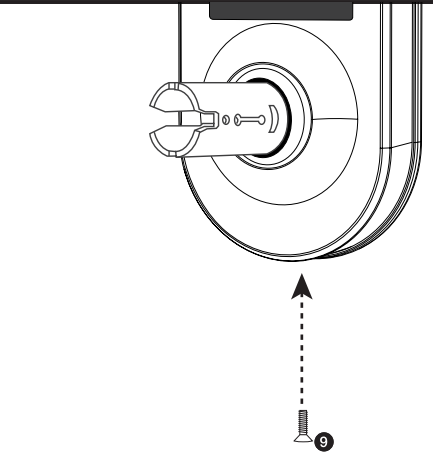
4

1. Install the inner lever handle set and be noticed the below two points.
 - a. Lever fixed emboss faces the latch set direction.
 - b. The cables are not overlapped through the hole of inner lever handle set.
2. Tighten fixing screws and make sure the cables comes out from the hole properly without any damages.



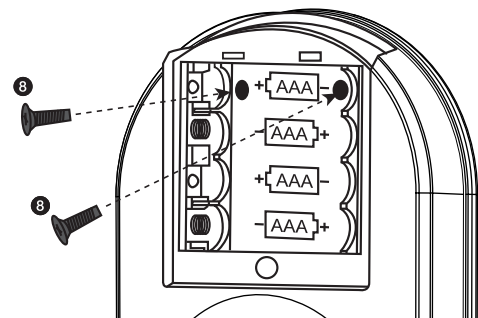
5

1. Well connect the cables to the connectors of the inner unit.



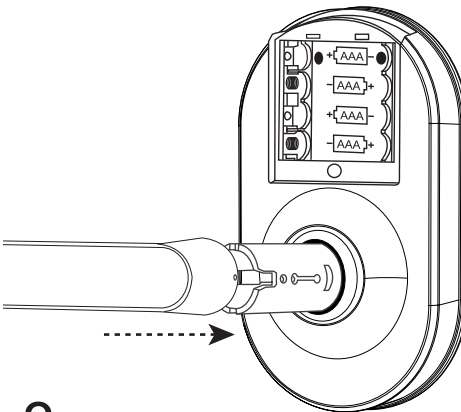
6

1. Install the inner unit and tighten the fixing screw from the bottom.



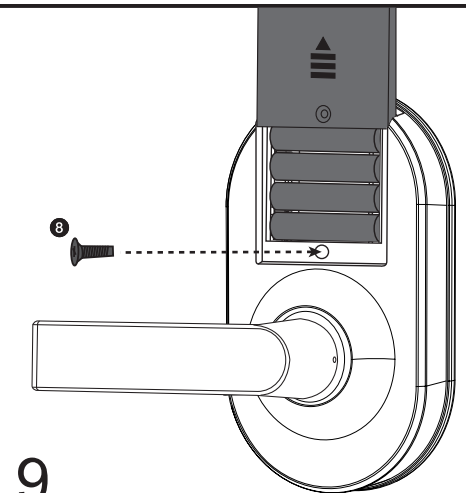
7

1. Tighten the fixing screws at the battery box of the inner unit.



8

2. Install the inner lever and make sure the lever is fixed on the lever handle set.



9

1. Insert batteries and slide the battery cover properly as the photo.
2. Tighten the M3 screw.