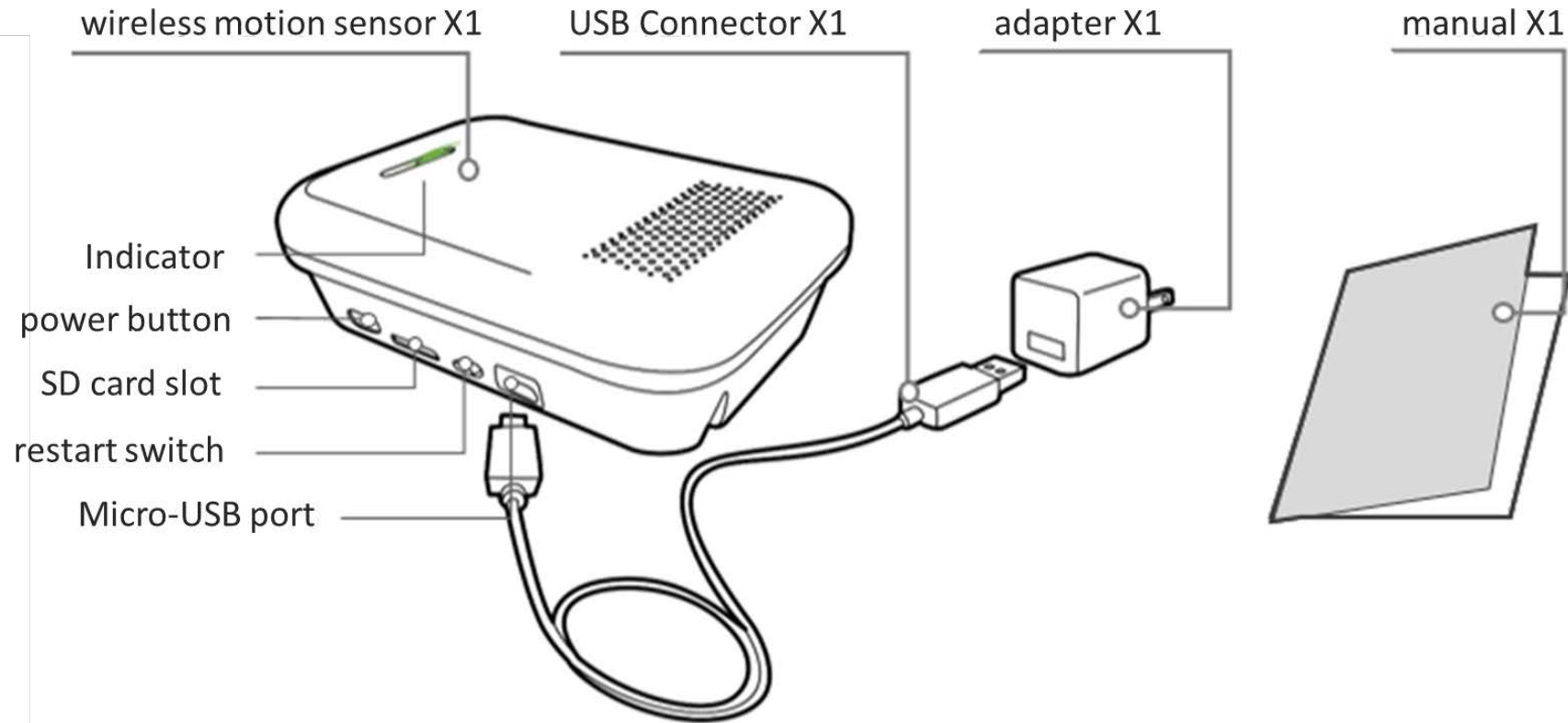


Wireless Motion Sensor User's Manual

Contents



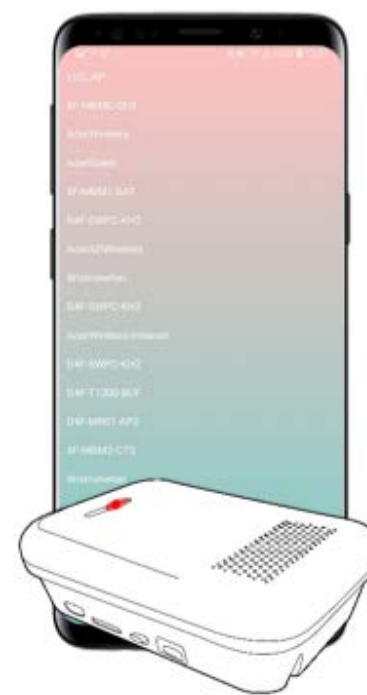
Start to use – setting Wi-Fi



(1) To turn on the wireless motion sensor for the first time, you need setting the Wi-Fi environment through the android app.



(2) Click the "Start Setting Device" button below and click the "OK" button in the dialog box to enter the Wi-Fi page system.



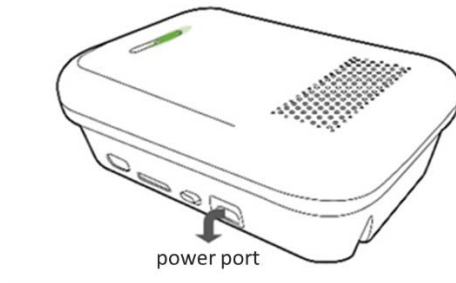
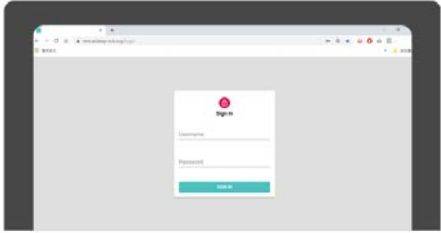
(3) First switch the device to the setting mode, press and hold the reset button of the wireless motion sensor for 3 seconds. Then select "Wisleep" on the Wi-Fi page system, and return to the previous page.



(4) After returning from the Wi-Fi page, select the Wi-Fi ID from the network list and enter the password. If the connection is successful, the indicator light will be green.

Note: This step is only required for the first use, and there is no need to repeat settings when using in the same Wi-Fi environment.

Instructions



(1) Open the web page with a computer or mobile device and use the product specific account/password to log in to the page.

(2) The wireless motion sensor can be placed in static spaces such as bedroom, study, and living room. Fixed in the detectable range and facing the user.

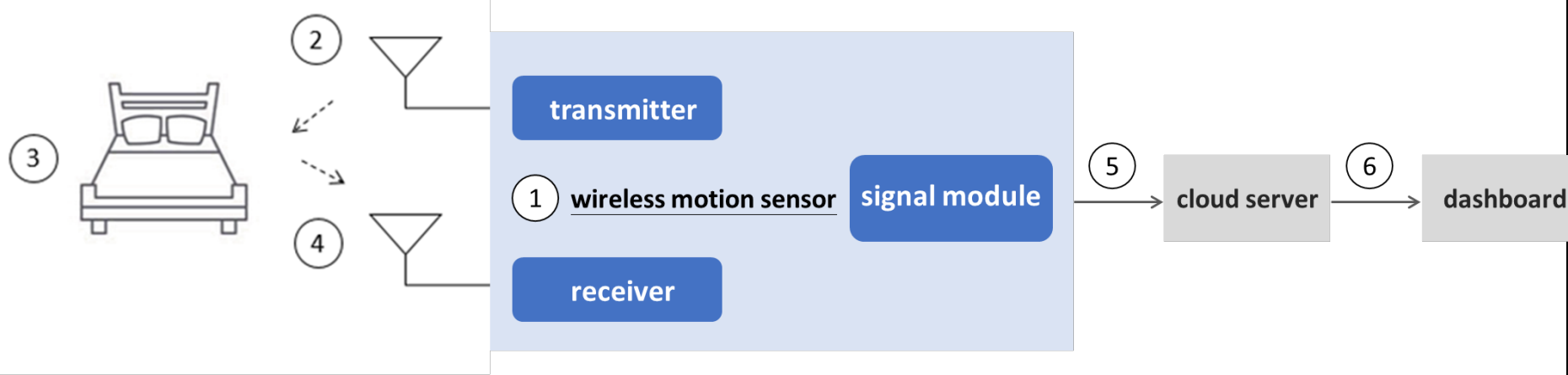
(3) Connect the wireless motion sensor to the power supply and turn it on until the green light flashes

(4) After the wireless motion sensor receives the human body signal, the signal is calculated by the cloud, and then the information is transmitted to the Web/APP interface.

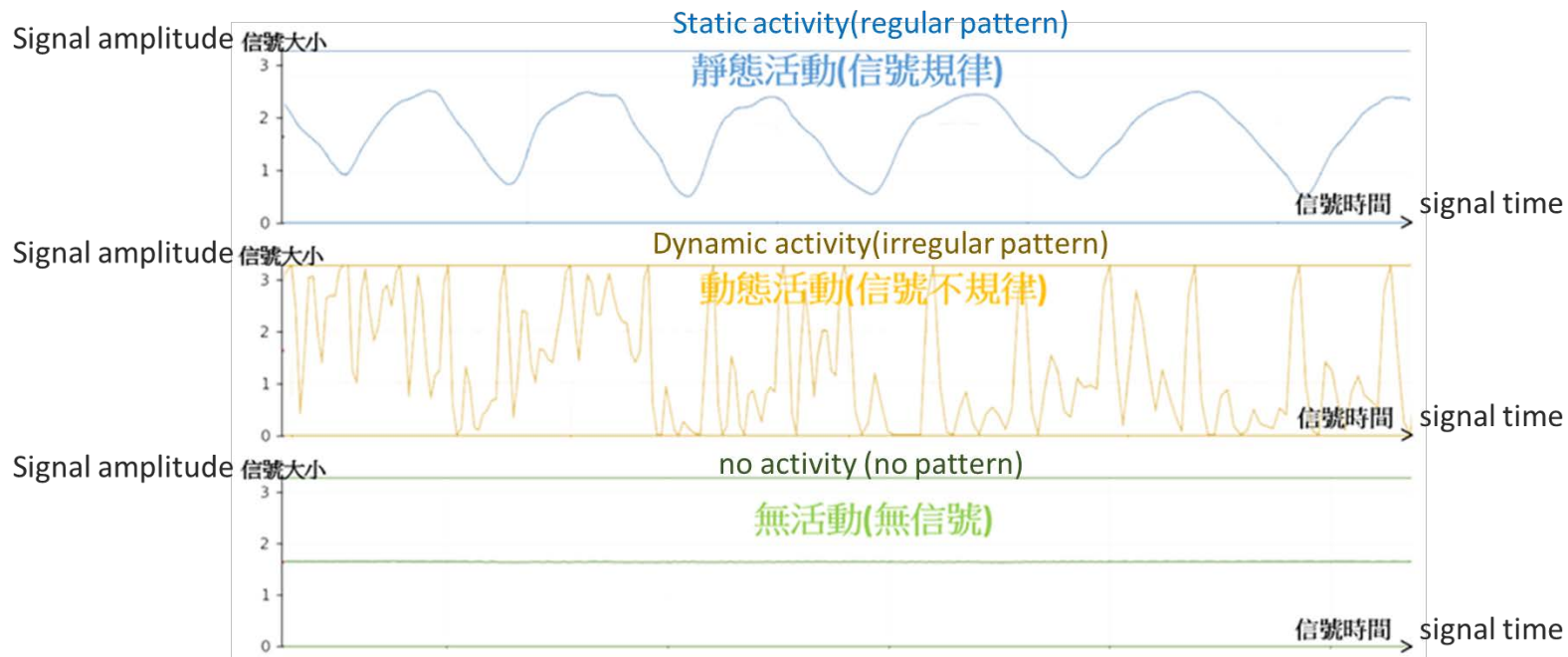
*The best display ratio is 1920 X 1080

Function item/description

model	AC01WF	
Detection range	Detectable number	1
	Detect location	Bed and bedside
Activity detection	Detect any active signal in the application field	Detect dynamic activity signals, static activity signals, empty environment signals, etc.

Placement	Sensor installation location	Within 180 cm from the ground or within 50 cm from the bottom of the bed, and the distance from the detection target must be at least 10 cm.
Fundamental	<p>The wireless motion sensor detects the activity status of the application area, and the information after sensing is collected by the cloud server. Users can download personal report from time to time to understand the daily schedule. Personal reports can be used for health care management in daily life. The wireless motion sensor data is provided to third-party software vendors for analysis and judgment. Consumers can view information from time to time via the Web or APP.</p>  <p>The wireless motion sensor (1) launch signal (2) to target environment (3), through the environmental reflection(4) and save the signal module by cloud server(5), output the bed status data analysis on dashboard(6).</p>	
Hardware architecture	RF detection frequency	24GHz
	Antenna coverage angle FOV(Field of View) (V x H)	24° x 36°
Use place	General health activity management (Can be used for home/long-term care/postpartum care)	
Detection limit	Vibration and swing devices cannot be placed in the detection range	
Output data	<p>The signal module of the wireless motion sensor outputs the original signal, and the signal characteristics include the signal amplitude of the motion and the signal acquisition time. The following example is used to illustrate that 1) static activity, 2) dynamic activity, and 3) no activity in the detection environment. The value is read through the data output interface, and the software vendor provides value-added services after judgment.</p> <ol style="list-style-type: none"> 1) static activity: The signal in this part can be used to determine whether the activity is static, such as resting and sleeping. 2) dynamic activity: The signals in this part are irregular and fast in frequency, which are big dynamic activities, such as getting up and leaving, walking, waving 3) no activity: There is no change in the signal in this part, which can be regarded as no activity around, such as no people in the environment, vacant rooms, 	

etc.



Report Rate	2.5 / 5 / 10 / 30 / 60 sec
-------------	----------------------------

function	Collect motion signals wirelessly	
specifications	weight	187 g
	size (length x height x width)	120 x 36.6 x 80 mm
	Power Supply	5V/2A USB adapter
	Power supply interface	Micro USB
Wireless	Data connection method	Wi-Fi / IEEE 802.11 b, g, n
Light status display	normal operation	Flashing green
Operating temperature	ambient temperature	0~40° C and 30%-85% relative Humidity
	Storage temperature	-20°~45° C and 10%-90% relative Humidity
data display	display interface	Web Browser (Chrome)

Precautions

This product is not a medical device, it is only used for the health management of daily life. It cannot be used for medical purposes. If it is used in the medical field, the company will not be responsible for personal injury or product damage.

FCC warning

This device complies with part 15 of the FCC Rules. Operation is subject to the following two conditions: (1) This device may not cause harmful interference, and (2) this device must accept any interference received, including interference that may cause undesired operation.

Changes or modifications not expressly approved by the party responsible for compliance could void the user's authority to operate the equipment.

This equipment has been tested and found to comply with the limits for a Class B digital device, pursuant to part 15 of the FCC Rules. These limits are designed to provide reasonable protection against harmful interference in a residential installation. This equipment generates, uses and can radiate radio frequency energy and, if not installed and used in accordance with the instructions, may cause harmful interference to radio communications. However, there is no guarantee that interference will not occur in a particular installation. If this equipment does cause harmful interference to radio or television reception, which can be determined by turning the equipment off and on, the user is encouraged to try to correct the interference by one or more of the following measures:

- Reorient or relocate the receiving antenna.**
- Increase the separation between the equipment and receiver.**
- Connect the equipment into an outlet on a circuit different from that to which the receiver is connected.**
- Consult the dealer or an experienced radio/TV technician for help.**

This device has been tested and meets applicable limits for Radio Frequency (RF) exposure.

This equipment should be installed and operated with minimum distance 20 cm between the radiator & your body.

LED indicator status	significance	Processing steps
Flashing red	Normal connection, no Vital signal	Contact customer service staff to replace the device.
Constant red light	Abnormal connection	Step 1 : Confirm whether the Wi-Fi signal is normal Step 2 : Restart Step 3 : Try to reconnect Wi-Fi. Step 4 : If the red light is still on, please contact customer service.
Flashing blue	Firmware updating	Step 1 : Wait for 5 minutes to update (depending on network conditions). Step 2 : Restart Step 3 : If the blue light is still on, please contact customer service.
Constant blue light	Powering, but the function has not been fully opened.	Step 1 : Please wait for 2-3 minutes. Step 2 : If the blue light is still on, please restart. Step 3 : If the blue light is still on, please contact customer service.
Constant green light	Wi-Fi turns into AP mode	Step 1 : Please wait for 2-3 minutes. Step 2 : If the green light is still on, please restart. Waiting 2-3 minutes until the green light flashes. Step 3 : If the green light is still on and it doesn't start flashing, please contact customer service.

Copyright Notice

version : V2.0

Release date : 2019/11/07

Copyright © 2018 Wistron Medical Technology Corporation

All rights reserved, reprint must be investigated.

manufacturing company: Wistron Medical Technology Corporation

Factory Address : 5th Floor, No. 5, Xin'an Road, Science Industrial Park, East District, Hsinchu City.