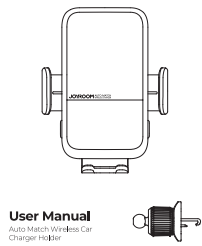


**JOYROOM**



**User Manual**  
Auto Match Wireless Car Charger Holder

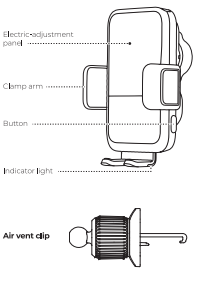
**Parameters**

Model	JR-ZS298
Name	Auto Match Wireless Car Charger Holder
Material	ABS+PC
Input	5V/2A-9V/2A/12V/2A
Output	5V/7.5W/10W/15W (MAX)
Input port	Type-C
Applicable phone size	4.5-6.7"

**Indicator light**

Bottom foot	Power on, constant blue light
Charging breathing light	Charging breathing blue light
Standby constant light	Standby constant blue light
POD fishing light	POD fishing blue light
Clamp arm indicator light	The light will turn on when the clamp arms open

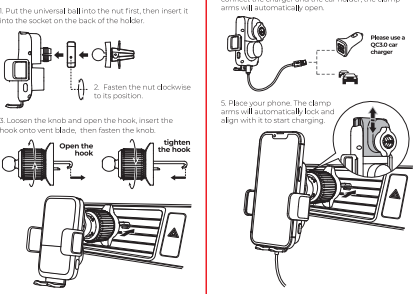
**Product diagram**



Electric adjustment panel  
Clamp arm  
Button  
Indicator light  
Air vent clip

**Operating steps (Air vent)**

- Put the universal ball into the nut first, then insert it into the socket on the back of the holder.
- Fasten the nut clockwise to its position.
- Loosen the knob and open the hook, insert the hook onto vent blade, then fasten the knob.
- Use the Type-C charging cable in the package to connect the charger and the car holder, the clamp arms will automatically open.
- Place your phone. The clamp arms will automatically lock and align with it to start charging.



**Warning**

- Do not disassemble or refill the product.
- Do not store in a wet environment.
- Please keep the product away from heat, and do not charge it near sharp source.
- Please prevent water or other liquid from entering the product's interface. Otherwise the product may be damaged.
- Do not install the wireless car charger mount over an air bag cover or within the air bag deployment zone.
- During charging, make sure to remove the metal/magnetic protective case or cards like bank cards, etc. from your device.
- During charging, the charger may heat up. This is a normal occurrence and won't affect its performance. If the charger or your phone is too hot, please disconnect the power supply and let it cool down before restarting the charging process.
- Avoid using bent or damaged USB cables.

**Warranty Card**

Model:	Customer Name:
Purchase Date:	Tel:
Distributor:	Invoice Date:
User address (with postcode):	

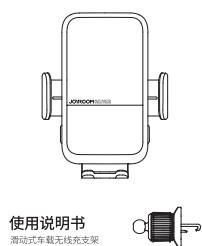
**Warranty**

A. There is performance failure on the product and it's not caused by human error damage, we will provide 3 months free warranty service for consumers from the date of purchase.

B. Warranty Exceptions:

- Human damage.
- Exceed the warranty period.
- Failure to provide valid purchase certificate.
- Product damage caused by fall, use to play the use, maintain and reserve instructions.
- Product damage caused by tampering or repair the product without authorization or imitate the product in water.
- Damage caused by other force majeure.

**JOYROOM**



**使用说明**  
滑动式车载无线充支架

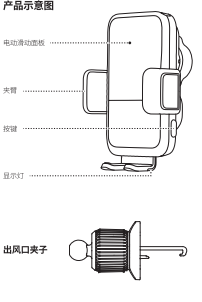
**产品规格**

产品型号	JR-ZS298
产品名称	滑动式车载无线充支架
产品材质	ABS+PC
输入	5V/2A-9V/2A/12V/2A
输出	5V/7.5W/10W/15W (MAX)
输入接口	Type-C
适用尺寸	4.5-6.7英寸

**指示灯**

通电指示灯亮	显示功能
充电指示灯亮	显示功能
待机指示灯亮	显示功能
充电指示灯亮	显示功能

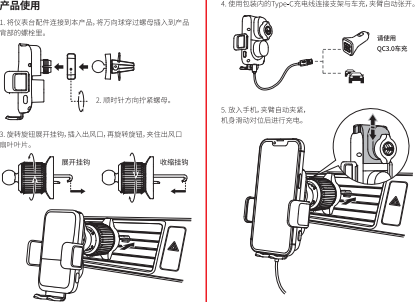
**产品示意图**



电动滑动面板  
夹臂  
按键  
指示灯  
出风口夹子

**产品使用**

- 将通用球首先插入螺母，然后将球穿过螺母插入到产品背部的螺孔里。
- 顺时针方向拧紧螺母。
- 旋转旋钮松开挂钩，插入出风口，再旋转旋钮，夹住出风口塑料叶片。
- 使用包装内的Type-C充电线连接支架与车充，夹臂自动张开。
- 放入手机，夹臂自动夹紧，机身震动时即开始充电。



**警告**

- 请勿自行拆卸或改装本产品。
- 请勿将本产品放在潮湿环境。
- 请勿将本产品靠近热源或于热源附近充电。
- 请勿将本产品安装在汽车安全气囊附近，导致产品损坏。
- 不要将无线充电接收器安装在气囊盖、安全气囊保护罩或气囊下方。
- 充电时请务必从您的设备上取下金属磁性保护壳或卡（仅限手机壳）。
- 长时间使用可能产生热量，此为正常现象，并不会影响产品使用。如遇手机壳本产品过热请暂停充电使用，待冷却后再尝试充电。
- 避免使用折曲或损坏的USB线材。

**保修卡**

产品型号:	用户姓名:
购买日期:	用户电话:
代理商:	发票日期:
用户地址 (含邮编):	

**保修服务说明**

A. 在正常使用本产品过程中,如果本产品出现非人为损坏的性能故障,自购买之日起,消费者可享受免费保修服务。

保修期为12个月。

B. 有下列情况之一,消费者不能享受免费保修权益:

- “人为损坏”
- “超出保修期”
- “不能提供有效的购买凭证”
- “未按说明书要求使用、维护、保养而造成产品损坏”
- “未经授权,擅自拆卸、维修产品,或产品进水”
- “其他不可抗力造成的损坏”

This equipment generates, uses and can radiate radio frequency energy and, if not installed and used in accordance with the instructions, may cause harmful interference to radio communications. However, there is no guarantee that interference will not occur in a particular installation. If this equipment does cause harmful interference to radio or television reception, which can be determined by turning the equipment off and on, the user is encouraged to try to correct the interference by one or more of the following measures:

- Reorient or relocate the receiving antenna.
- Increase the separation between the equipment and receiver.
- Connect the equipment into an outlet on a circuit different from that to which the receiver is connected.
- Consult the dealer or an experienced radio/TV technician for help.