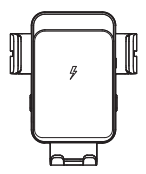


JR-ZS219翼龙三轴电动无线充支架-说明书(套装)

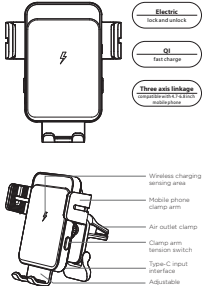
尺寸: 70x100mm
材质: 128g铜版纸 双面单色印刷 风琴折

JOYROOM



User Manual

Thank you for choosing this product. Please read the instructions carefully before using!



Component assembly [Air outlet]

Step 1: Connect the air outlet clamp accessories to the product, but put the clamping tool into the nut lock inserted into the back of equipment.

Step 2: Tighten the nut clockwise.

Step 3: Rotate the clamp switch to open the clamp, insert the air blade at the air outlet, and clamp the front edge of the air blade.

Component assembly [Dashboard]

Step 1: Connect the instrument panel accessories to the product, and adjust the visual angle.

Step 2: Fix the accessory base in a suitable position on the instrument panel, press the vacuum switch to fix the device.

Step 3: Turn on the support arm switch, stretch the support arm to adjust the height of the support rod.

Step 4: Press the round card position switch, the support rod can swing 180 degrees back and forth to adjust the visual angle.

Instructions

- Use the Type-C charging line in the package to connect the bracket with the car charging.
- Press the side clamp arm tension switch to open the clamp arm.

3. Insert the mobile phone for use. The mobile phone model supporting wireless charging will automatically sense the charging, and the device will automatically clamp the back three axes of the mobile phone when sensing the charging.

4. Take out the mobile phone, press the side clamping arm tension switch to open the clamping arm and pull out the mobile phone.

Parameters

Model: JRZS219
Name: Three-axis electric wireless charging car holder
Material: ABS+PC
Power: 5W/7.5W/10W/15W (MAX)
Output: 5V/2.5A
Charging distance: $\leq 8\text{mm}$
Input interface: Type-C
Applicable mobile phone size: 4.7-6.8 inch mobile phone
Applicable screen: air outlet, instrument panel

Status indicator

Charging	Charging
Power connected to power	Blue light
Other wireless charging	Blue light flashes slowly
When abnormal object detected	Blue light flashes quickly

Warning

- Do not dismantle or modify the product.
- Do not keep or use the product near heat sources.
- Do not let water or any other liquid flow into the inside part of the product, otherwise this would cause damage to the product.
- Do not install the wireless car charger over an air bag cover or within the air bag deployment area.
- Make sure to remove metallic, magnetic protective case or clip which like back contact from your device when charging.
- Wireless magnetic charger may heat up. This is normal and should not affect charging performance of the device. Feel hot to the touch during the charging process, remove the device from the charger and allow it to cool down before resuming the charging process.
- Avoid using bare or damaged USB cable.

Warranty Card

Model: _____
Purchase Date: _____
Distributor: _____
Invoice Date: _____
Tel: _____
Customer Name: _____
Zip code: _____

After-sales service instructions

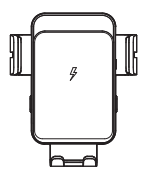
1. Product warranty card is our products to provide free after-sales service during the warranty period for the necessary content.

2. According to who sells who is responsible for the three quarters provide the product warranty card with specific question card contact with the dealer. By service support to the dealer.

3. The warranty card is valid from the date of purchase. In order to protect your rights, please keep the purchase receipt. In the event of a dispute, please provide the responsibility of product maintenance, measurement and return. Please read the following items:

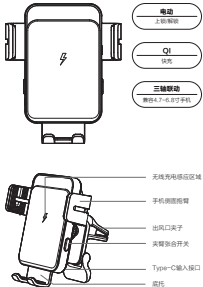
1. Product warranty card is our products to provide free after-sales service during the warranty period for the necessary content.
2. According to who sells who is responsible for the three quarters provide the product warranty card with specific question card contact with the dealer. By service support to the dealer.
3. The warranty card is valid from the date of purchase. In order to protect your rights, please keep the purchase receipt. In the event of a dispute, please provide the responsibility of product maintenance, measurement and return. Please read the following items:
4. Do not dismantle or modify the product.
5. Do not keep or use the product near heat sources.
6. Do not let water or any other liquid flow into the inside part of the product, otherwise this would cause damage to the product.
7. Do not install the wireless car charger over an air bag cover or within the air bag deployment area.
8. Make sure to remove metallic, magnetic protective case or clip which like back contact from your device when charging.
9. Wireless magnetic charger may heat up. This is normal and should not affect charging performance of the device. Feel hot to the touch during the charging process, remove the device from the charger and allow it to cool down before resuming the charging process.
10. Avoid using bare or damaged USB cable.

JOYROOM



使用说明书

感谢您选择本产品。请在使用前仔细阅读使用说明书。



安装步骤 (出风口款)

步骤一: 把出风口夹子配件安装在产品上, 先把螺母插入螺母内再插入, 从后面拧紧螺母。

步骤二: 顺时针方向拧紧螺母。

步骤三: 打开夹臂离合开关, 将手机放入卡槽内, 夹臂和底座夹紧。

安装步骤 (仪表台款)

步骤一: 将夹臂配件安装在产品上, 螺母在底部用螺丝刀拧紧固定。

步骤二: 将底座固定在仪表台安装位置的位置, 按压夹臂开关安装设备。

步骤三: 打开夹臂离合开关, 将手机放入卡槽内, 夹臂和底座夹紧。

使用说明

- 使用说明书中的Type-C线将无线充支架与汽车。
- 按下侧夹臂离合开关打开。

3. 插入手机使用, 支持无线充电的手机型号会自动充电, 设备检测到手机后会自动充电。

4. 取出手机, 按下侧夹臂离合开关关闭, 将手机取出。

产品参数

品牌: JRZS219
型号: JRZS219
名称: 三轴电动无线充电支架
材质: ABS+PC
功率: 5W/7.5W/10W/15W (MAX)
输出: 5V/2.5A
输入接口: Type-C
适用手机: 4.7-6.8英寸手机
适用屏幕: 出风口安装

状态指示灯

充电	充电
电源连接到电源	蓝色光
其他无线充电	蓝色光闪烁缓慢
检测到异常物体	蓝色光闪烁快速

警告

- 请勿自行拆卸或改装本产品。
- 请勿将本产品安装在热源附近。
- 请勿将本产品安装在安全气囊盖板或安全气囊部署区域。
- 请勿将本产品安装在安全气囊盖板或安全气囊部署区域。
- 请勿将本产品安装在安全气囊盖板或安全气囊部署区域。
- 请勿将本产品安装在安全气囊盖板或安全气囊部署区域。
- 请勿将本产品安装在安全气囊盖板或安全气囊部署区域。
- 请勿将本产品安装在安全气囊盖板或安全气囊部署区域。

产品保修卡

产品类型: _____
购买日期: _____
代理商: _____
发票日期: _____
电话: _____
顾客姓名: _____
邮政编码: _____

售后服务说明

尊敬的客户, 感谢您选择我们的产品, 为了切实保障您的权益, 特制定售后服务卡, 请妥善保管, 以便在出现问题时, 能及时与经销商联系, 为您提供专业的售后服务。

1. 本产品享有三年质保, 质保期内提供免费维修服务。
2. 质保期内, 如因产品质量问题, 导致产品无法正常使用, 我们将提供免费维修服务。
3. 质保期内, 如因人为因素, 导致产品损坏, 我们将提供有偿维修服务。
4. 质保期内, 如因不可抗力因素, 导致产品损坏, 我们将提供有偿维修服务。
5. 质保期内, 如因不可抗力因素, 导致产品损坏, 我们将提供有偿维修服务。
6. 质保期内, 如因不可抗力因素, 导致产品损坏, 我们将提供有偿维修服务。
7. 质保期内, 如因不可抗力因素, 导致产品损坏, 我们将提供有偿维修服务。
8. 质保期内, 如因不可抗力因素, 导致产品损坏, 我们将提供有偿维修服务。

FCC Requirement

changes or modifications not expressly approved by the party responsible for compliance could void the user' s authority to operate the equipment.

This device complies with Part 15 of the FCC Rules. Operation is subject to the following two conditions:

- (1) this device may not cause harmful interference, and
- (2) this device must accept any interference received, including interference that may cause undesired operation.

Note: This equipment has been tested and found to comply with the limits for a Class B digital device, pursuant to Part 15 of the FCC Rules. These limits are designed to provide reasonable protection against harmful interference in a residential installation. This equipment generates, uses, and can radiate radio frequency energy, and if not installed and used in accordance with the instructions, may cause harmful interference to radio communications. However, there is no guarantee that interference will not occur in a particular installation. If this equipment does cause harmful interference to radio or television reception, which can be determined by turning the equipment off and on, the user is encouraged to try to correct the interference by one or more of the following measures:

- Reorient or relocate the receiving antenna.
- Increase the separation between the equipment and receiver.
- Connect the equipment into an outlet on a circuit different from that to which the receiver is connected.
- Consult the dealer or an experienced radio/TV technician for help.

FCC 20cm Statement

This equipment complies with FCC radiation exposure limits set forth for an uncontrolled environment. This equipment should be installed and operated with a minimum distance of 20cm between the radiator & your body. This transmitter must not be co-located or operating in conjunction with any other antenna or transmitter.