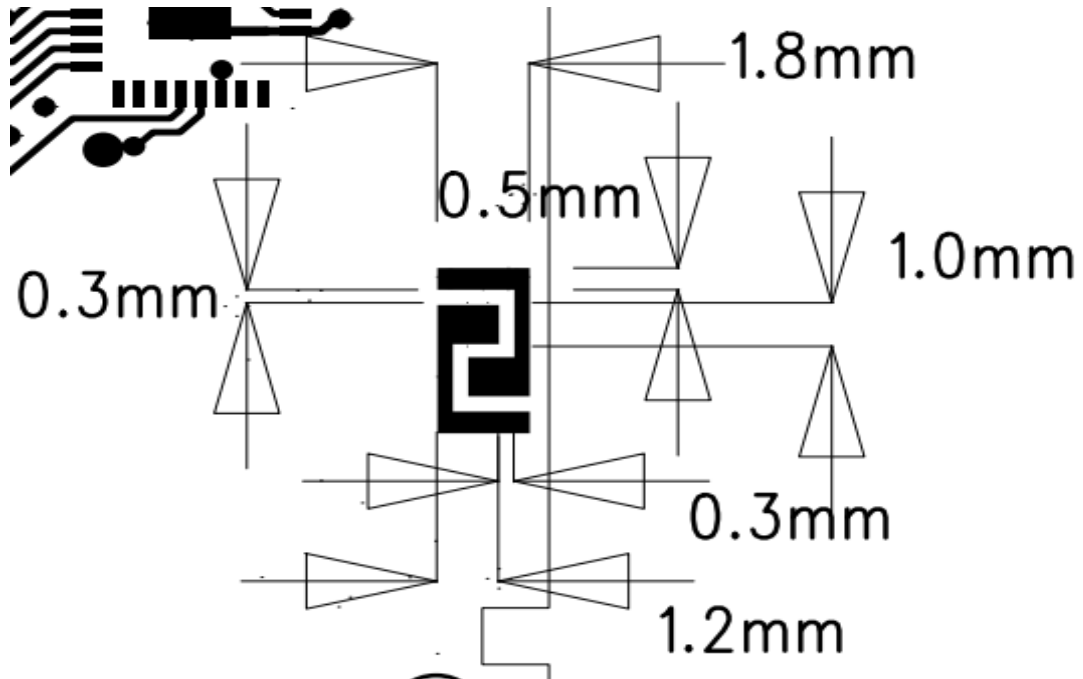


2.4G Antenna Specification

Antenna type	onboard antenna					
Model Name	2.4G ANT					
Center Frequency	Horizontal			Vertical		
	2402MHz	2450MHz	2500MHz	2400MHz	2450MHz	2480MHz
	-1.40	-1.06	-0.93	-1.30	-1.0	-0.63
MAX. Gain	-0.63dBi					
Polarization	Horizontal and Vertical					
Azimuth Beam Pattern	Omni-directional					
Impedance	50 Ohm					
Antenna Length	32.179mm					
Manufacture	ZHUHAI JIELI TECHNOLOGY CO.,LTD					
Manufacturer's address	No.7, Hongling Middle Road, Hongling Industrial Zone, Chongman Town, Taishan City, Jiangmen					

ANT PHOTO & LENTH(mm)

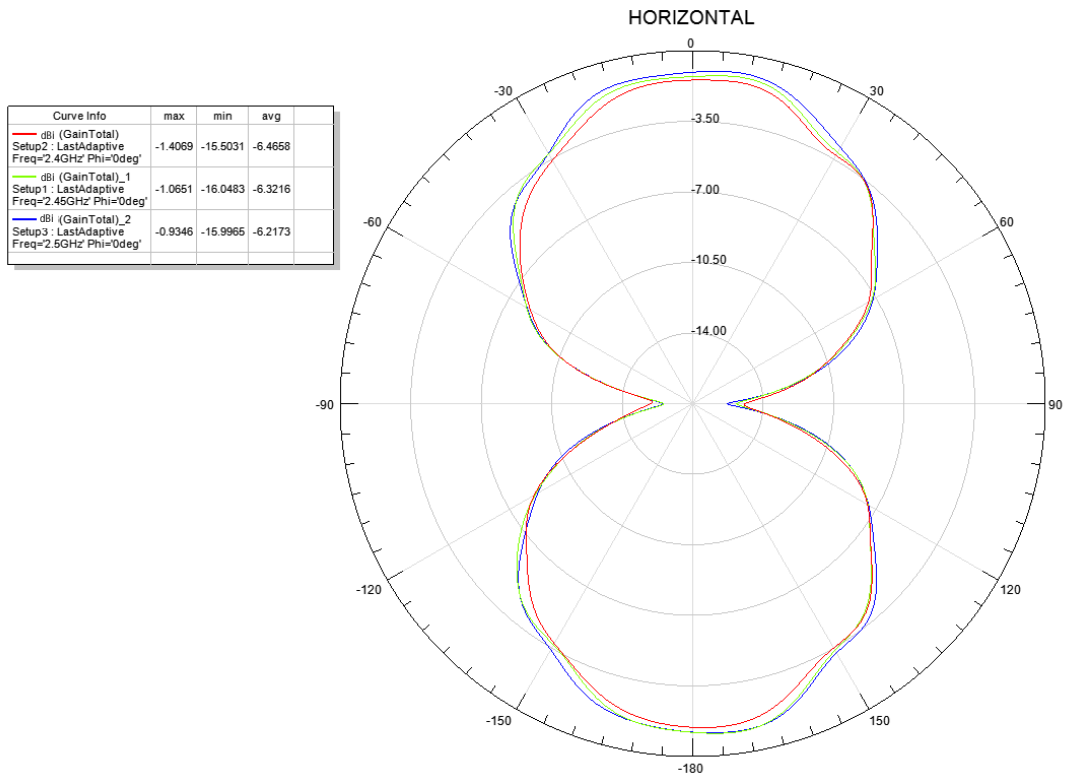
BOTTOM VIEW:



Horizontal: 2400 MHz 2450 MHz 2480 MHz

Power (dBm)

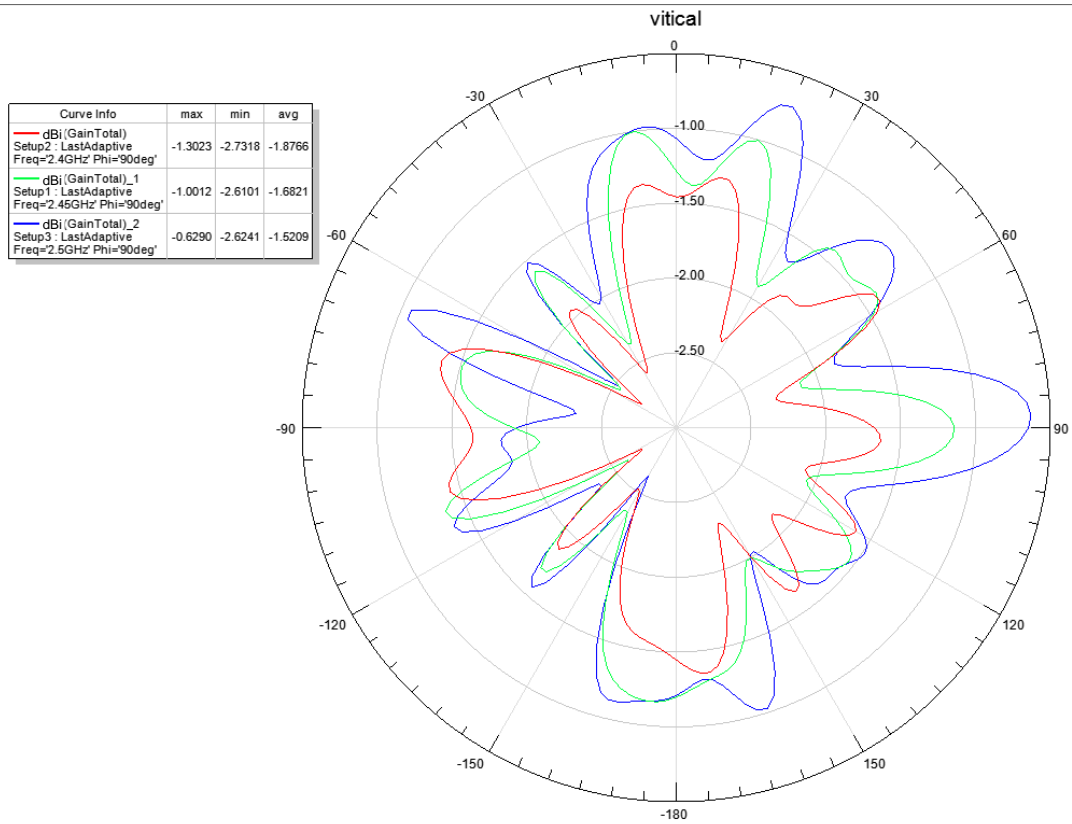
Max: -0.93 Min: -16.0 Scale: 5/div



Vertical: 2400 MHz 2450 MHz 2480MHz

Power (dBm)

Max: 0 Min: -30 Scale: 5/div



3D: 2450 MHz

Power (dBm)

Max: -0.939

