



Smart Home Rowing Machine

Model: SRM2000



FCC ID: 2AWJJ-RM2000

Last Modified: June 5, 2020

Item# M1S1

Email: support@sharevgo.com

Owner's Manual

Before You Begin

Welcome to the ShareVgo community. Before beginning assembly, take a few moments to familiarize yourself with important information on how to use our ShareVgo Smart Rowing Machine safely so that you and your loved ones do not get hurt. Let's review the safety notes and warnings now. If you have any questions, please contact support@sharevgo.com

Safety Instructions

CAUTION To reduce the risk of serious injury, carefully read the following Safety Instructions before using this product.

WARNING Consult your physician before starting an exercise program or using the exercise equipment.

WARNING Maximum weight capacity is 285 lbs or 130 kg.

1. Consult your physician before using. Stop immediately and consult your physician if you feel faint, dizzy, or experience pain during exercise.
2. Carefully read all warnings and cautions before using this equipment.
3. We recommend two people be available to assemble this product.
4. Do not let children under the age of 12 use this product without proper adult supervision.
5. Keep children, your fingers, body parts, and pets away while in use.
6. Do not wear loose or dangling clothing while using this product.
7. Set up and operate this product on a solid and level surface with a mat beneath it.
8. The empty space surrounding the equipment should be at least 2 feet (0.6 meters) on the left and right sides and on the front and back sides. This area must also include adequate space for emergency dismount.
9. Before using, inspect this product for worn or loose components, and securely tighten or replace any worn or loose components prior to use.
10. Do not use this equipment if any parts are damaged, missing or if there is an unusual noise coming from this equipment while in use.
11. Always wear correct footwear and never exercise in bare feet or socks.
12. This equipment should not be used by persons weighing over 285 lbs or 130 kg.
13. Used by only one person at a time.
14. This equipment is for indoor, household, and non-commercial use only.
15. All the values calculated and displayed by the machine's computer or mobile app is an approximation and should be used for reference only.

FCC Statement and Important Labels

CAUTION: The user is cautioned that changes or modifications not expressly approved by the party responsible for compliance could void the user's authority to operate the equipment.

This device complies with Part 15 of the FCC Rules. Operation is subject to the following two conditions: (1) this device may not cause harmful interference, and (2) this device must accept any interference received, including interference that may cause undesired operation.

NOTE: This equipment has been tested and found to comply with the limits for a Class B digital device, pursuant to Part 15 of the FCC Rules. These limits are designed to provide reasonable protection against harmful interference in a residential installation. This equipment generates, uses and can radiate radio frequency energy and, if not installed and used in accordance with the instructions, may cause harmful interference to radio communications. However, there is no guarantee that interference will not occur in a particular installation.

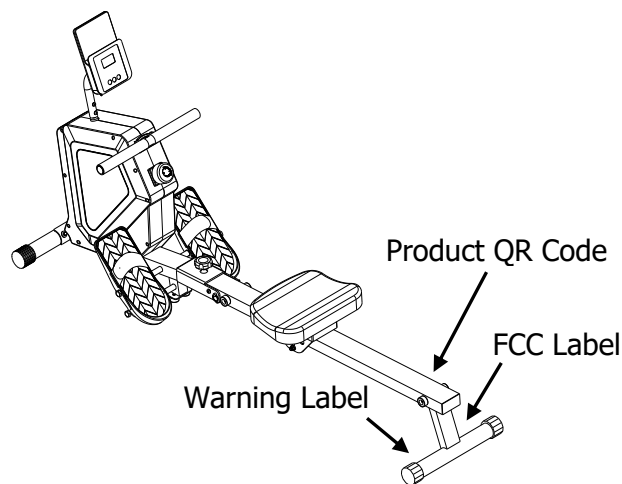
If this equipment does cause harmful interference to radio or television reception, which can be determined by turning the equipment off and on, the user is encouraged to try to correct the interference by one or more of the following measures:

- Reorient or relocate the receiving antenna.
- Increase the separation between the equipment and receiver.
- Connect the equipment into an outlet on a circuit different from that to which the receiver is connected.
- Consult the dealer or an experienced radio/TV technician for help.

FCC Radiation Exposure Statement:

This equipment complies with FCC radiation exposure limits set forth for an uncontrolled environment. This equipment should be installed and operated with a minimum distance of 20cm between the radiator and your body.

This transmitter must not be co-located or operating in conjunction with any other antenna or transmitter.



WARNING

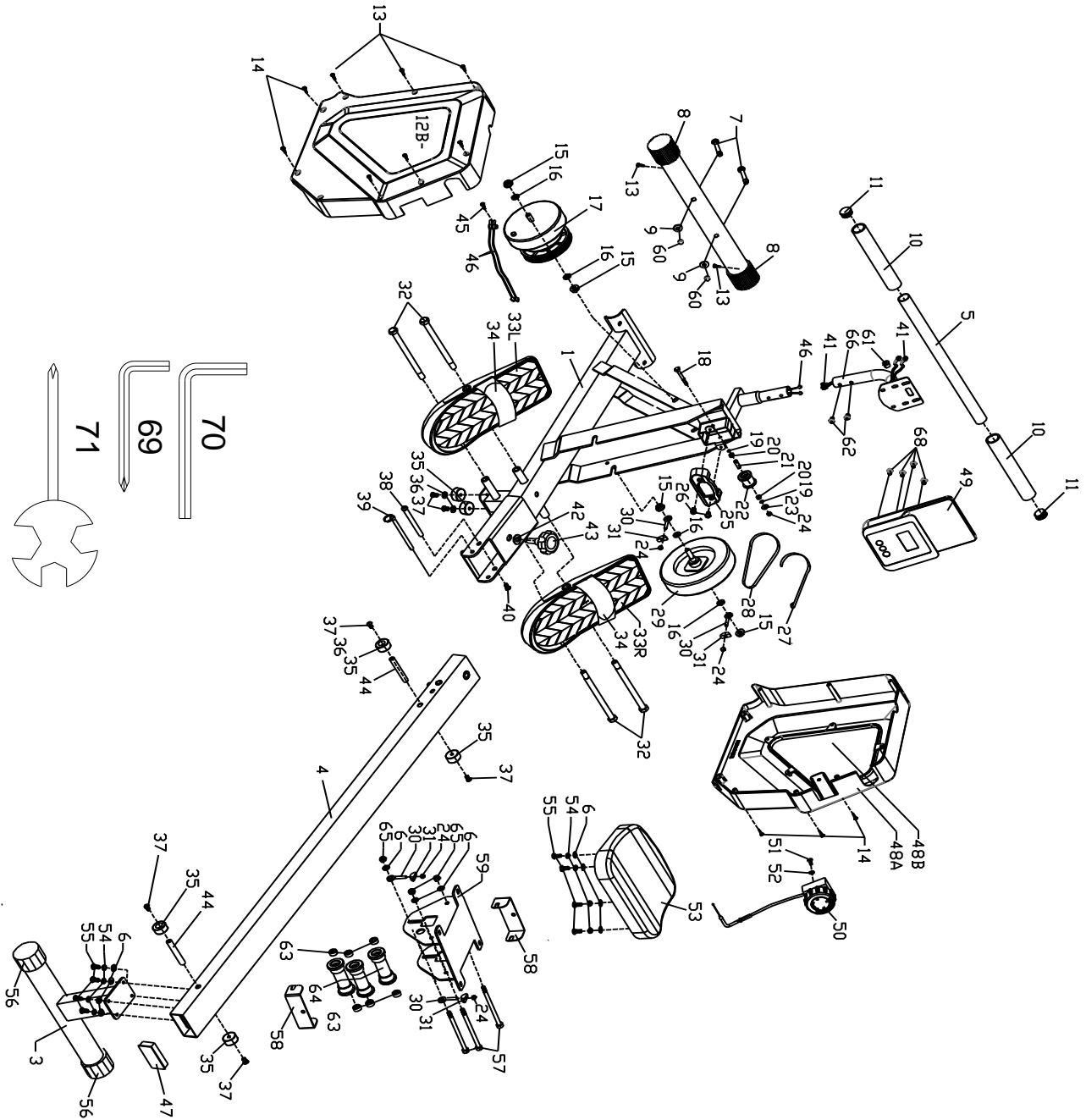
MAX. WEIGHT CAPACITY: 300 LBS

- * Prior to use, review and follow all Usage and Safety Guidelines in the Owner's Manual. Misuse of this equipment may result in serious injury.
- * Consult your physician before using this equipment.
- * Make sure all nuts, bolts, knobs and safety pin are in place and fully tightened before each use.
- * Do Not allow children and pets around while in use.
- * Do Not use if any parts are damaged or missing.
- * Keep body, clothing and hair free of all moving parts.
- * This equipment is for indoor and household use only.
- * Replace labels if damaged, illegible or removed.

FCC ID: 2AWJJ-RM2000

This device complies with Part 15 of the FCC Rules. Operation is subject to the following two conditions: (1) this device may not cause harmful interference, and (2) this device must accept any interference received, including interference that may cause undesired operation.

Part Drawing

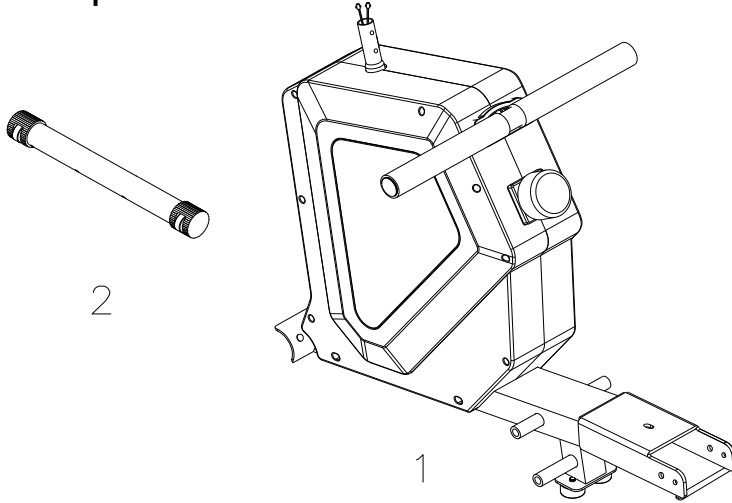


Part List

NO	Description	Spec.	QTY	NO	Description	Spec.	QTY
1	Main Frame		1	36	Washer	φ13*6.5*1.5	6
2	Front Base Tube		1	37	Bolt	M6*16	69
3	Rear Base Tube		1	38	Bolt	10*95*M6*25	1
4	Sliding Track		1	39	Pull Pin	φ7.8*108*98	1
5	Handlebar		1	40	Bolt	M6*16*5#	1
6	Washer	Φ16*Φ8.5*1.5	11	41	Sensor Wire		2
7	Square Head Bolt	M8*60	2	42	Washer	Φ24*Φ12*2	1
8	End Cap	Φ50	2	43	Knob	Φ58*M12*30	1
9	Arc Washer	Φ22*Φ8.5	2	44	Axle for Stoppers	φ12*80*M6	2
10	Foam Grip	200	2	45	Screw	M5*10	1
11	End Cap	φ28	2	46	Jet and Wire	Φ6*38	2
12A	Left Shroud A		1	47	Square End Cap	40*80	1
12B	Left Shroud B		1	48A	Right Shroud A		1
13	Screw	M4*20	8	48B	Right Shroud B		1
14	Screw for Metal	M4*20	6	49	Monitor		1
15	Flange Nut	M10*1.0	4	50	Tension Knob		1
16	Hexagon Nut	M10*1.0*5	4	51	Screw	M5*15	1
17	Wheel	Φ149	1	52	Washer	Φ16*Φ5.5*1.5	1
18	Hexagon Nut	M6*55	1	53	Foam Seat	290*365*50	1
19	Spring Washer	Φ10	2	54	Spring Washer	φ13*φ8*2.0	8
20	Spacer	6000RS	2	55	Bolt	M8*20*S6	8
21	Wave Washer	Φ10*Φ6*40	1	56	End Cap-Adjustable	φ50	2
22	Belt Pulley	Φ45*Φ30*35	1	57	Bolt	M8*120	3
23	Washer	Φ13*Φ6.5*1.5	3	58	U-Shape Bracket		2
24	Lock Nut	M6	5	59	Sliding Bracket		1
25	Handlebar Cushion	105*40*31	1	60	Lock Nut	M8	2
26	Bolt	M5*10	2	61	Wire Plug	φ12	1
27	Nylon Pulling Belt	2140*22*1.5	1	62	Bolt	M6*10	2
28	Wedge Belt	6PJ250	1	63	Bearing	608Z	6
29	Magnetic Wheel	Φ176*132	1	64	Sliding Wheel	φ40*92	3
30	Tension Pull Screw	M6*26	4	65	Lock Nut	M8	4
31	Tension Pull Stop	25*10*1.0	4	66	Tablet Holder Post		1
32	Hexagon Bolt		4	68	Bolt	M4*15	4
33L	Footrest-Left	330*144	2	69	Allen Key	5#	1
33R	Footrest-Right	330*144	2	70	Allen Key	6#	1
34	Strap for Footrest		6	71	Wrench/screwdriver	13-15-19	1
35	Rubber Stopper	φ32*16*φ6.5	4				

Components For Assembly

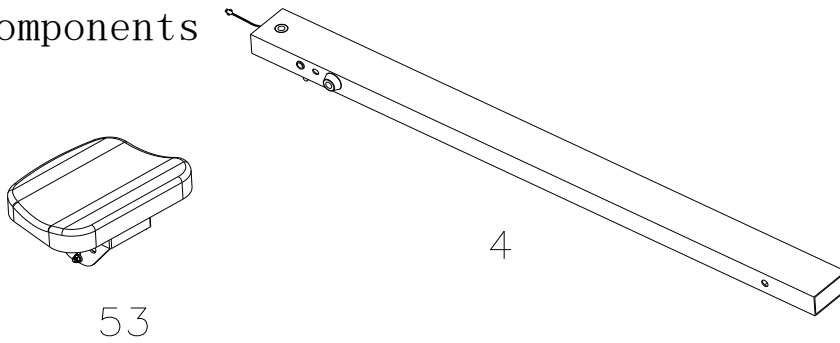
STEP 1 Components



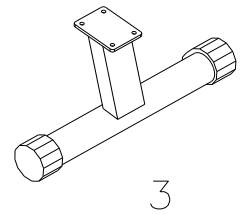
STEP 2 Components



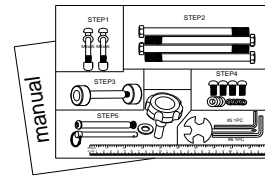
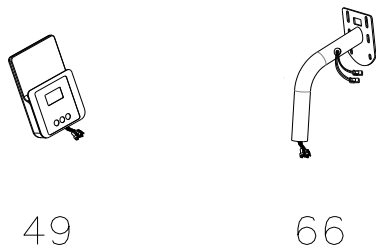
STEP 3 Components



STEP 4 Components

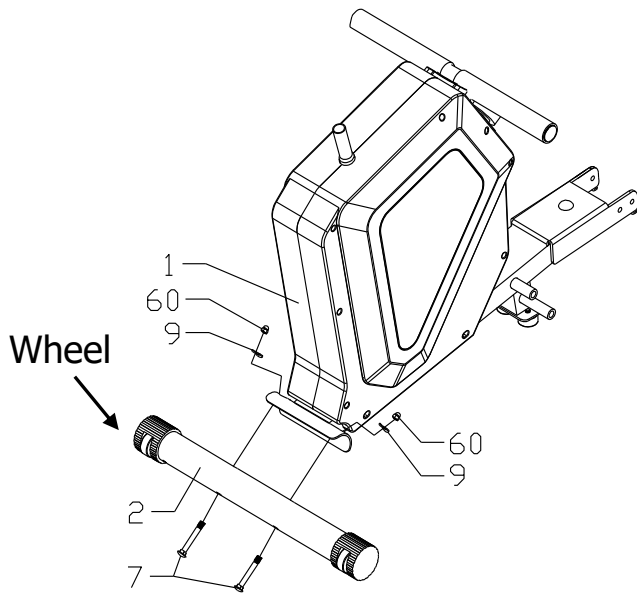


STEP 6 Components

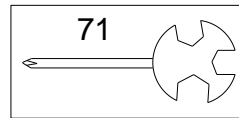


Hardware Pack & Manual

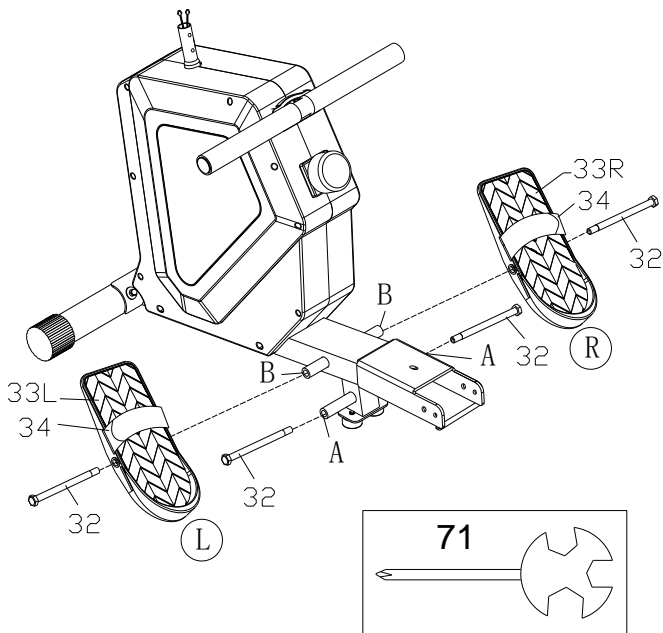
Step 1 – Front Base Tube Assembly



Attach the Front Base Tube, with two wheels (2) facing out, onto the Main Frame (1) and secure it by using 2 Bolts (7), and 2 Washers (9), and 2 Nuts (60). Tighten them using Allen Key (71).



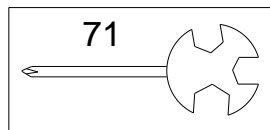
Step 2 – Pedals Assembly



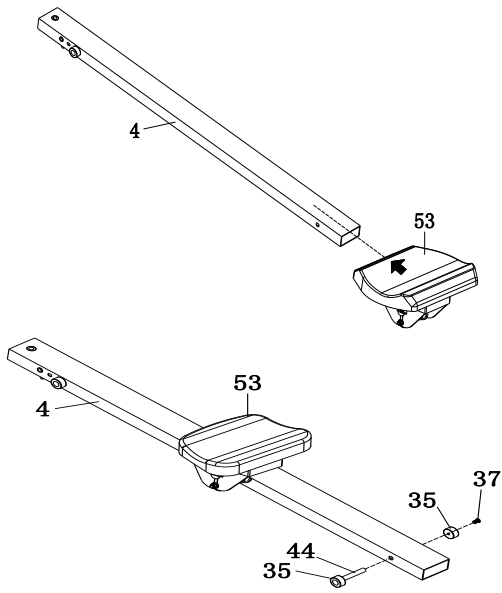
Screw Bolts (32) into both the Rear Holes (A) at the main frame and tighten them with Wrench (71).

Insert Bolts (32) through the Left Pedal (33L) and secure them to the Front Hole (B) of the main frame. Repeat for the Right Pedal (33R). Tighten the Bolts (32) with the Wrench (71).

Be Sure the pedal marked L is on the left and the pedal marked R is on the right.

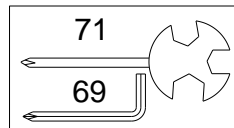


Step 3 – Seat and Sliding Track Assembly

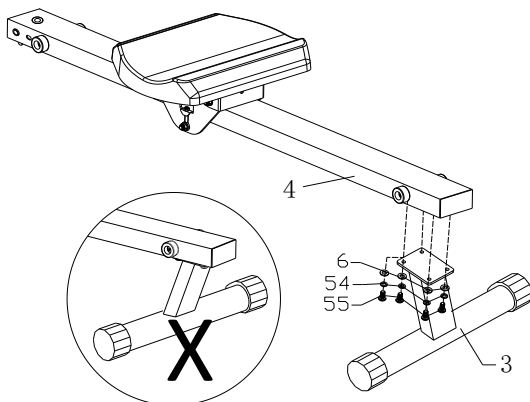


Slide the Seat (53) onto the Sliding Track (4). **Be sure** to slide from the end that **does not** have the Rubber Stopper.

Insert the Pin (44) with the Stopper (35) through the hole near the end of the Sliding Track (4). Then attach the Rubber Stopper (35) to the other side and secure it with Screw (37). Tighten using both the Allen Key (69) and the Screwdriver (71).

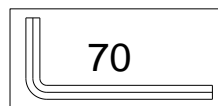


Step 4 – Rear Base Tube Assembly

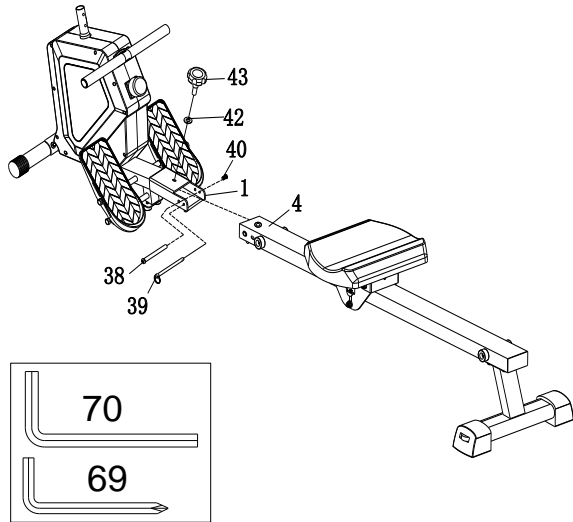


Attach the Rear Base Tube (3) onto the Sliding Track (4) using 4 Screws (55), 4 Spring Washers (54), and 4 Washers (6). Tighten with the Alley Key (70).

Be sure the spring washers are closer to the head of the screw. So that the Rear Base Tube is installed outwardly.

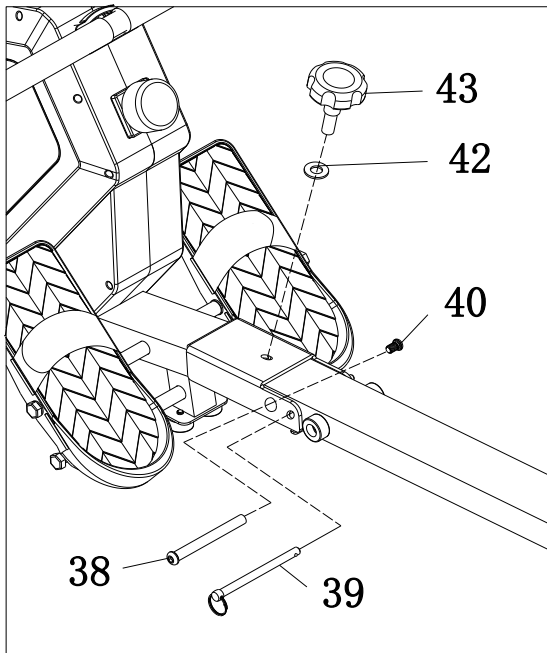
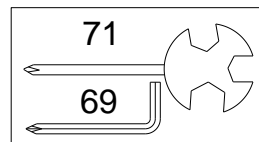
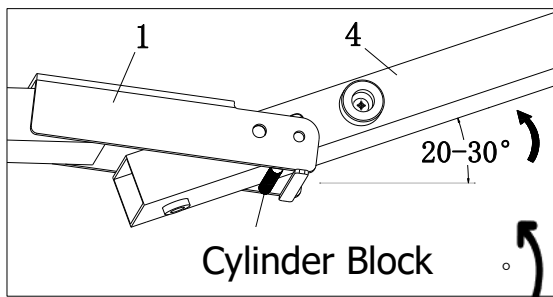


Step 5 – Connect Sliding Track to Main Frame

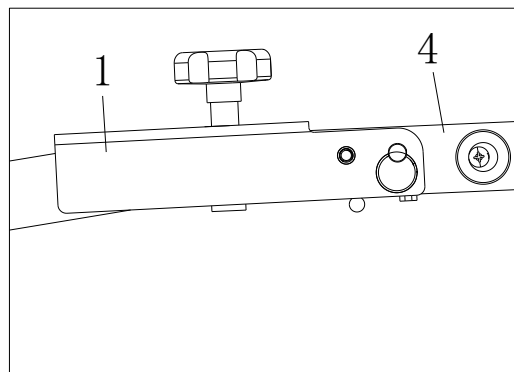


Lift up the u-shaped open end of the Main Frame (1) and the front end of the Sliding Track (4). Insert the front end of the Sliding Track into the u-shaped open end of the Main Frame (1).

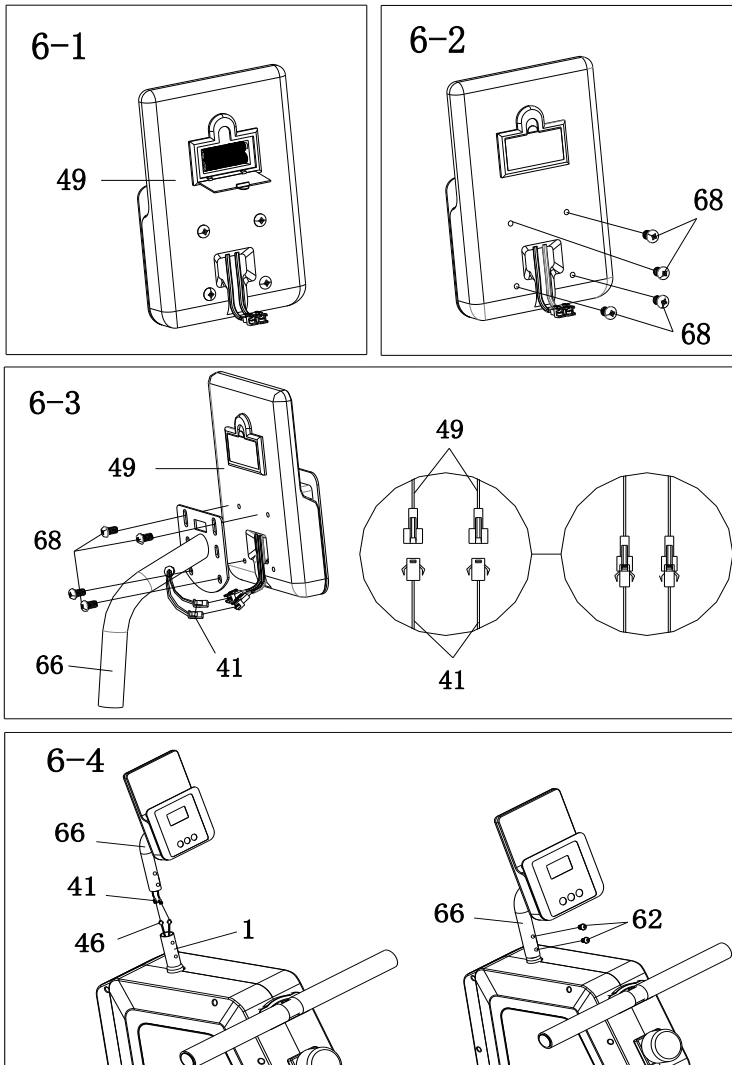
Lift the end of the Sliding Track (4) to 20-30 degree so that the Cylinder Block can go in the u-shaped opening of the Main Frame (1). Holding them straight, insert Bolt (38) into the front hole and tighten it with Screw (40). Tighten the screws using two screwdrivers (69 & 71).



Insert the Safety Pin (39) through the rear hole. Screw Knob (43) with Washer (42) into the hole on top of the rear square tube of the Main Frame (1)



Step 6 – Tablet Holder Assembly

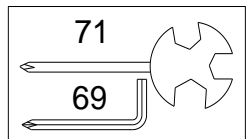


6-1: Install 2 AAA batteries into the slot at the back of Monitor (49).

6-2: Remove the 4 pre-installed Screws (68) from the back of the Monitor (49).

6-3: Attach Monitor (49) to the Monitor Plate (66) using the 4 Screws (68). Connect the two Sensor Wires (41) to the two Monitor Sensor Wires (49) and make sure it is properly connected.

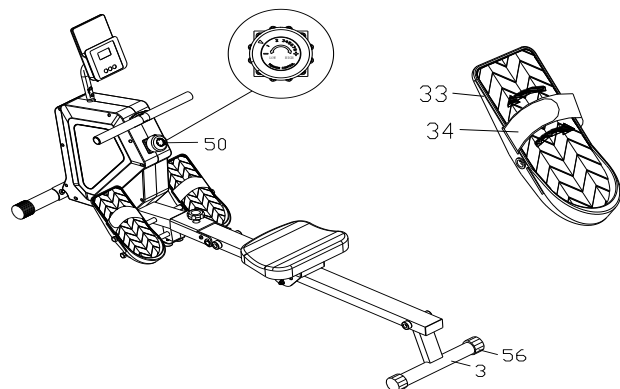
6-4: Properly connect the two Sensor Wires (41) of the other end to the two Sensor Wires coming out of Main Frame (1). Then, install the Monitor Plate (66) to the Main Frame (1) with two Screws (62).



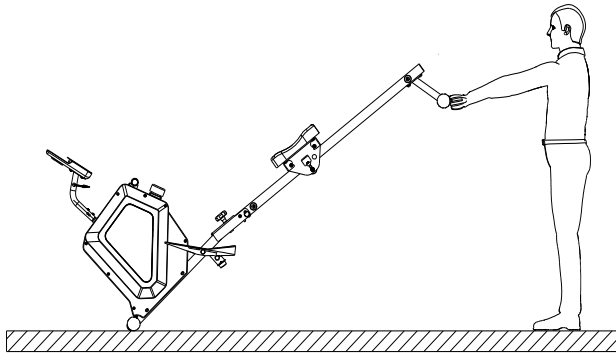
Pedals and Tension Adjustment

Pedal Strap (34) is adjustable to user's foot size.

Tension Knob (50) is adjustable from the lowest tension 1 to the highest tension 8.



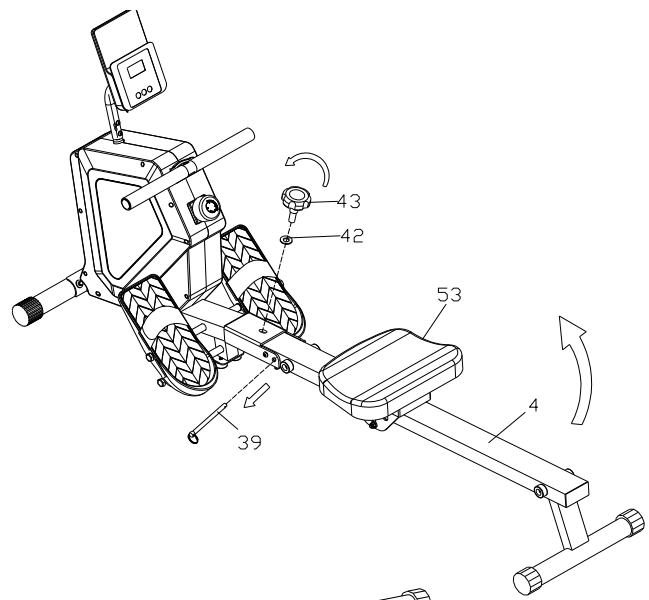
To Move or Fold Rowing Machine



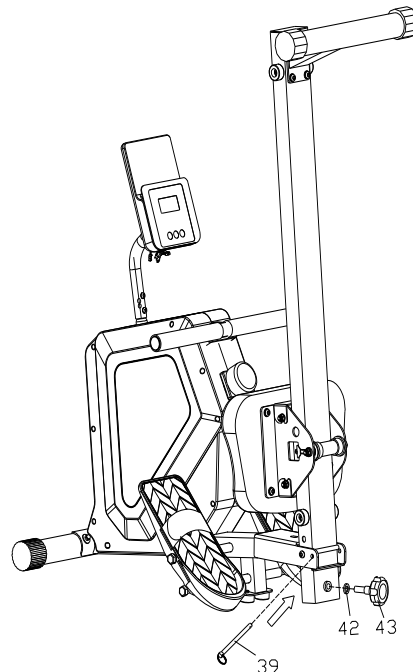
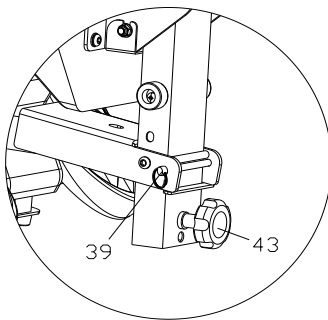
To move rowing machine, simply lift the rear base frame tube until the wheels at the front base frame tube touching the floor and then move the machine to your desired location .

To fold rowing machine for storage,

1. Unscrew and release Knob (43) and Washer (42).
2. Pull out the Safety Pin (39).
3. Lift up the Sliding Track (4) with one hand.
4. Insert Safety Pin (39) to Hole C.
5. Screw and tighten Knob (43) with Washer (42) into Hole D.



CAUTION: To avoid slamming by Sliding Track, be sure to hold the Sliding Track when you insert or remove the Safety Pin (39) and Knob (43).



Monitor Operation & Function

Function buttons:

MODE:

1. Press to select functions for display.
2. Press and hold 3-5 seconds to reset time, distance, and count values to zero.

SET:

1. Press to set target functions for time, distance, and count.
2. Press and hold 3-5 seconds to reset time, distance, and count values to zero.

RESET:

1. Press to reset the setting values to zero.
2. Press and hold 3-5 seconds to reset time, distance, and count values to zero.

Operations:

1. SCAN: Press MODE until 'SCAN' appears. The monitor will rotate through all the 4 functions: TIME, COUNT, DISTANCE, and TOTAL COUNT. Each function will be displayed for approximately 5 seconds.
2. TIME: Displays the total amount of time exercised.
3. COUNT: Displays total count of the rowing strokes for one session of workout.
4. DISTANCE: Displays the total distance traveled.
5. TOTAL COUNT: Display total count of the rowing strokes after installing the battery.

NOTE:

1. If the display is faint or will not display properly, replace the batteries.
2. The monitor will automatically turn off if it does not receive signal after 4 minutes.

FUNCTION	SCAN	5 seconds per display
	TIME	00:00~99:59 (minute:second OR hour:minute)
	COUNT	0~9999 Count
	DISTANCE	0.0~9999 Mile
	TOTAL COUNT	0~9999 Count
BATTERY TYPE		2pcs of SIZE – AAA
OPERATING TEMPERATURE		0°C ~ +40°C
STORAGE TEMPERATURE		-10°C ~ +60°C

Connecting to Mobile Device

STEP 1 - Get it assembled

Make sure your equipment is assembled properly, batteries are installed, and the monitor with Bluetooth® is ON.

STEP 2 - Get the app

Download the **ShareVgo Fitness** app from Google Play or the App Store™ on a compatible phone or tablet.

STEP 3 - Set up

Find **QR code** on the equipment you purchased. Follow the on-screen steps to register your equipment and sign-up an account.

STEP 4 - Congratulations!

You are all set! Let's start exercise and enjoy healthier life.



ShareVgo Fitness App



To learn more, visit www.sharevgo.com/faq

Bluetooth® word mark and logos are registered trademarks owned by Bluetooth SIG, Inc. and any use of such marks by SHAREVGO is under license.

Google Play and the Google Play logo are trademarks of Google LLC.

App Store is a service mark of Apple Inc., registered in the U.S. and other countries.

Maintenance and Storage

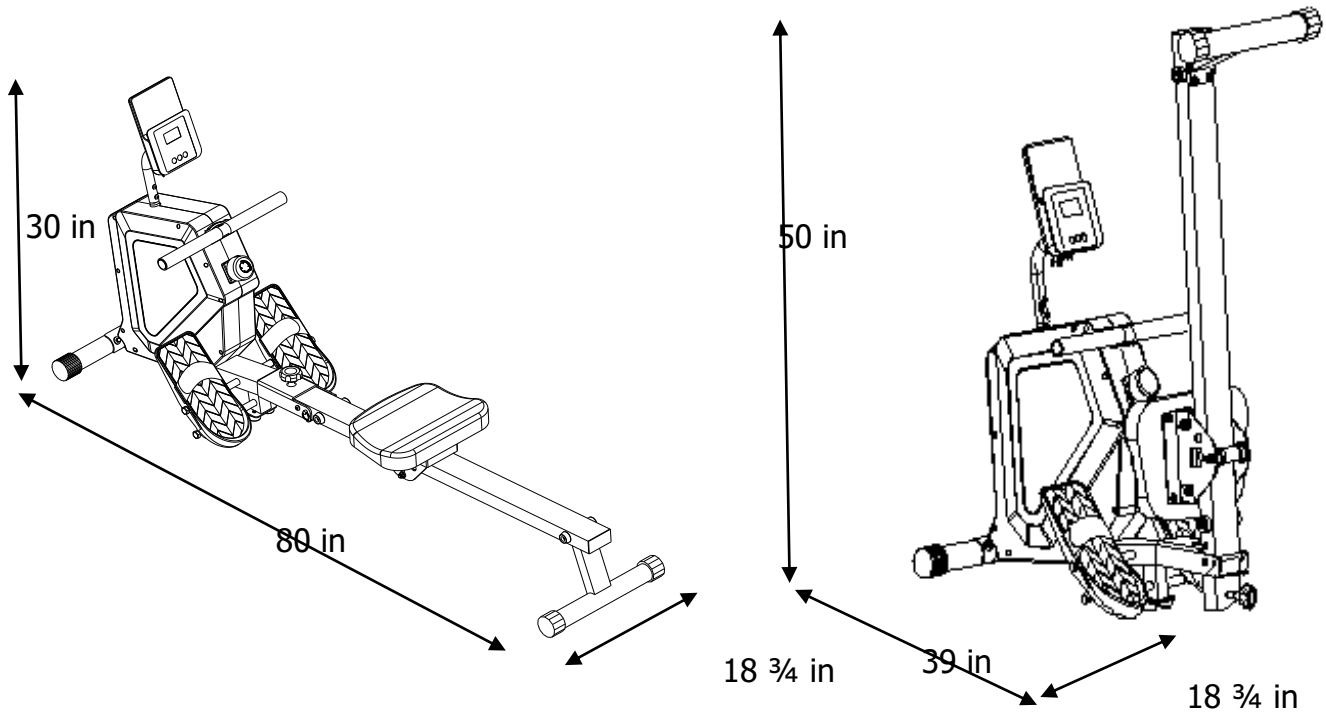
Inspect all parts and make sure all nuts, bolts, and screws are completely tightened before each use. To clean, wipe this equipment with a damp cloth. DO NOT use abrasive cleaners or solvents.

Store your equipment at a stable position, in clean and dry environment away from children.

Item Dimensions: 80 in x 18 ¾ in x 30 in (203 cm x 48 cm x 76 cm)

Folding Dimensions: 39 in x 18 ¾ in x 50 in (99 cm x 48 cm x 127 cm)

Item Weight: 55 lbs (25 kg)



Product Warranty

90-day Limited Warranty

ShareVgo, LLC. warrants that this product will be free from defects in materials and workmanship for a period of 90 days from date of purchase when purchase of the product is from an authorized retailer and is used for the purpose intended, under the conditions that it has been installed and operated in according to ShareVgo's Owner's Manual. ShareVgo's obligation under this warranty is limited to replacing free of charge, any parts which may prove to be defective under normal household and personal use. This warranty does not include any damage cause by improper operation, misuse, or commercial application. This warranty applies only to the original purchaser and is not transferable. Proof of purchase is required.

YOU EXPRESSLY UNDERSTAND AND AGREE THAT, TO THE MAXIMUM EXTENT PERMITTED BY APPLICABLE LAW, SHAREVGO SHALL NOT BE LIABLE TO YOU UNDER ANY THEORY OF LIABILITY (WHETHER CONTRACT, TORT (INCLUDING NEGLIGENCE), BREACH OR FAILURE OF ANY WARRANTY OR OTHERWISE) FOR ANY INDIRECT, INCIDENTAL, SPECIAL, CONSEQUENTIAL OR EXEMPLARY DAMAGES THAT MAY BE INCURRED BY YOU IN CONNECTION WITH YOUR ShareVgo Smart Home Rowing Machine OR THESE TERMS, INCLUDING ANY LOSS OF DATA, WHETHER OR NOT SHAREVGO OR ITS REPRESENTATIVES HAVE BEEN ADVISED OF OR SHOULD HAVE BEEN AWARE OF THE POSSIBILITY OF ANY SUCH LOSSES ARISING. YOU EXPRESSLY UNDERSTAND AND AGREE THAT, TO THE MAXIMUM EXTENT PERMITTED BY APPLICABLE LAW, THE SHAREVGO'S TOTAL LIABILITY IN CONNECTION WITH YOUR SMART EXERCISE EQUIPMENT OR THIS LIMITED WARRANTY WILL NOT EXCEED THE AMOUNT YOU ACTUALLY PAID SHAREVGO FOR YOUR EQUIPMENT

Some states, provinces or territories do not allow the exclusion or limitation of incidental or consequential damages, so the above limitation or exclusion may not apply to you.

This warranty gives you specific legal rights, and you may also have other rights that vary from jurisdiction to jurisdiction.

Customer Service

To request product service and order replacement parts, please have the following information ready and email to **support@sharevgo.com**:

- 1. Your name**
- 2. Receipt of purchase**
- 3. Model number**
- 4. Description of part**
- 5. Part number**