



# User Manual

Face Recognition Attendance Machine

CS2020



Service phone: 400-188-2689  
official website: [www.manbu.cc](http://www.manbu.cc)  
Address: 3/F, East Block 2, Saige Science Park,  
Huafa North Road, Futian District, Shenzhen

Shenzhen Cityeasy Technology Co., Ltd.

# Catalog

## Please read carefully this manual before using it

Thank you for choosing our company's intelligent products. In order to make you familiar with the operation of this product as soon as possible, we have provided instructions at random, from which you can obtain the introduction, usage, product settings and precautions for using this product.

If you do not follow the instructions and cause any personal injury, property or other losses, shenzhen cityeasy technology will not be liable.

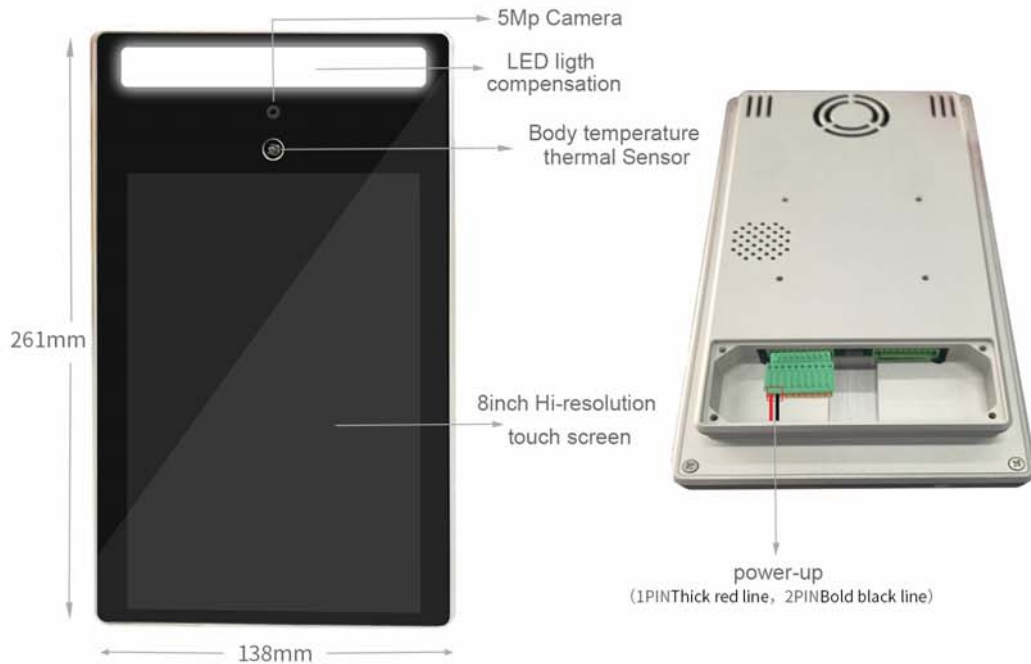
- (1) Packing list..... 3
- (2) Functional structure..... 3
- (3) Connect internet & Band User..... 4
- (4) Local Settings..... 4
- (5) PC platform register..... 5
- (6) Parameter setting on PC platform..... 5
- (7) Users management..... 6
- (8) Department management..... 6
- (9) Personnel management..... 7
- (10) Attendance management..... 7
- (11) Equipment wiring diagram..... 8
- (12) Transferring wires ..... 9
- (13) Access controller connecting way..... 11
- (14) Install Caution..... 12
- (15) Product parameter..... 13

cityeasy reserve the right to interpret and modify the instructions.

# 1/Packing list

- 1.Infrared Face Recognition Machine\*1
- 2.User manual\*1
- 3.Transferring wire line\*1
- 4.Connector\*2
- 5.AC adapter\*1

# 2/Functional structure



3

# 3/Connect internet & Band User

1.Connect the power supply to start the machine.

Click the Set button, Click to set up the network, Select WiFi Network, Enter the password and click Connect, Click the Back button to exit to the home page.

2. Load platform to register new user under the device serise number, default password: 123456 you can view and manage the personnel information by PC.

4.Non-administrative account to view attend attendance records, you need to add the sub-user by platform ([www.imegps.com](http://www.imegps.com))

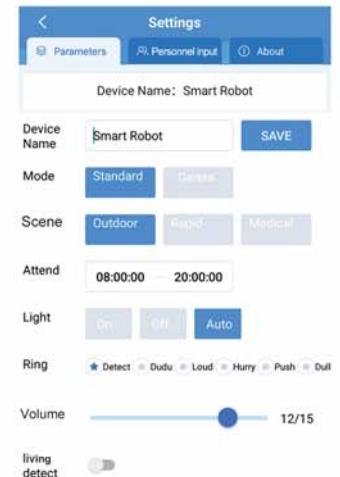
5.Click the corresponding icon on device to view the attendance & temperature records

6. Support offline temperature detection after setting

# 4/Local Settings

1.(Parameters setting) named the device ID , set modes, set scene, set attendance time, set alarm ring tone (remarks: setting living detect mode &medical mode while the temperate speed will be >300Ms)

2.(Personnel input)you can input several personnel information on device directly. And if you need to batch input information pls load platform ([www.imegps.com](http://www.imegps.com)) to handle.



4

## 5/PC platform register

- 1.Platform web: www.imegps.com
- 2.Register new user under the device series number and default password(123456) to load platform.

## 6/Parameter setting on PC platform

1. Click attendance dashboard to set parameters.
2. modify device name

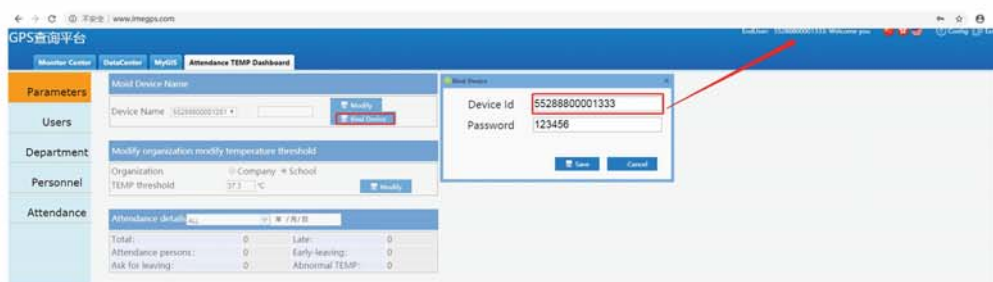
Named a device under series numbers or under texts words

Click “bind device” input device series number(IMEI number) to add sub-users.

- 3.Modify the attendance time , modify the temperature threshold

Choice the organization group on dashboard by yourself! Temperature threshold is 37.3, the device warning if the body temperature exceeds 37.3

- 4.View the attendance /temperature details by date



## 7/User management

- 1.Click attendance dashboard- user management to add administrative / sub-user and also add home school link users
  - 2.Add or delete users on the left side
- Click refresh icon on dashboard ,you can check the new added ones and deleted ones
- 3.Add home school link users: firstly, click “add user” on the left side to add teachers info. Second, add parents info. on the right side
  - 4.Batch input users: click download file to edit, then click the add more to upload the file



## 8/Department management

1. Click attendance dashboard- class management to group personnel
2. you can click + to set up different classrooms /different grades or set up sub-groups
3. click format to view or modify groups data





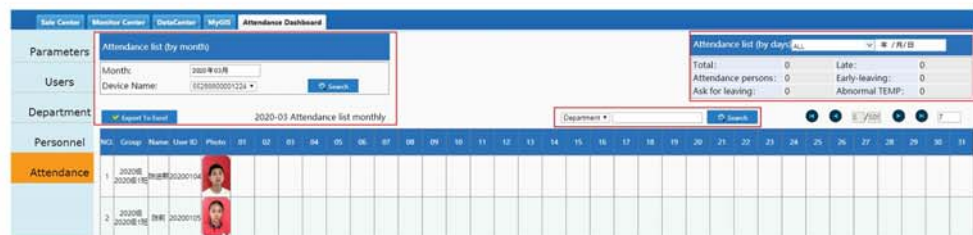
# 9/ Personnel management

1. Click attendance dashboard- personnel management to check attendance data
2. Choice the device ID to check the attendance data details
3. click + to add one person attendance data
4. click + batch input to upload excel file ( download the excel format to edit firstly)
- 5.click + batch input photo to upload local photo named with numbers. Face image size <2M
6. click export excel: export the excel files to keep in local computer



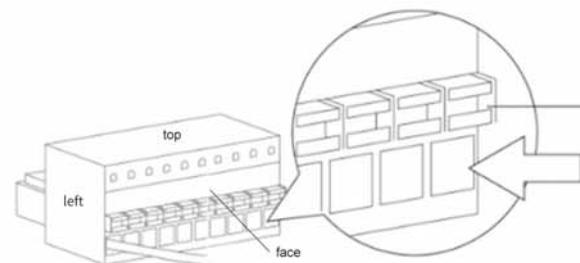
# 10/ Attendance management

1. choice the date, device ID to view
2. search grade, class, name, student ID, category in the search bar
3. on the upper right side of dashboard you can view the daily attendance information
- 4.click export excel: export the excel files to keep in local computer



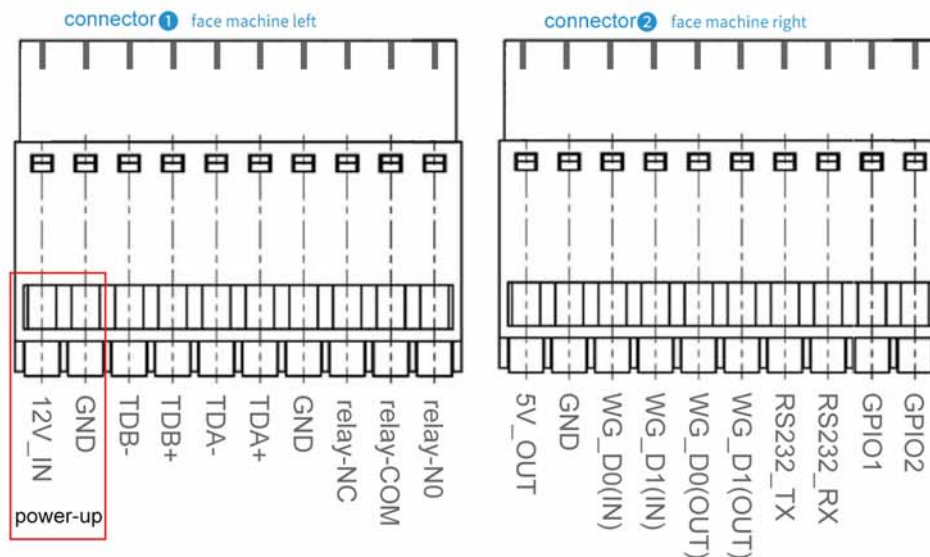
# 11/ Equipment wiring diagram (transferring connector)

1. Press the orange button to insert the corresponding copper wire
2. loosen the button to fix wire



Note: The equipment can be started normally only after the positive and negative poles of the power supply are properly connected. The power adapter needs 12V2A DC

terminal connector:



connector 1 face machine left face machine connector 2 face machine right  
Remarks: power +12V IN+5V output voltage

# 12/ Equipment wiring diagram

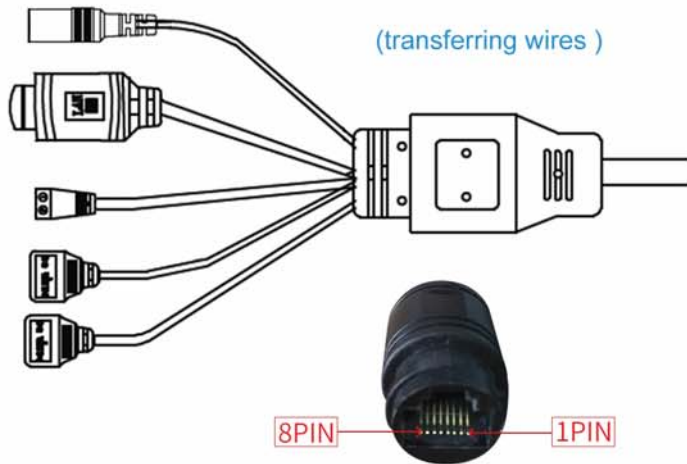
P1: power DC (2 pin)

P2: network (8 pin)

P3: black connector(2 pin)

P4: white connector(3 pin)

P5: black connector(3 pin)



## Port definition per colors:

P1: Power DC: corn pin - red, cable - black

P2: network: 1pin- blue white, 2pin -blue, 3pin- green white, 6pin- green

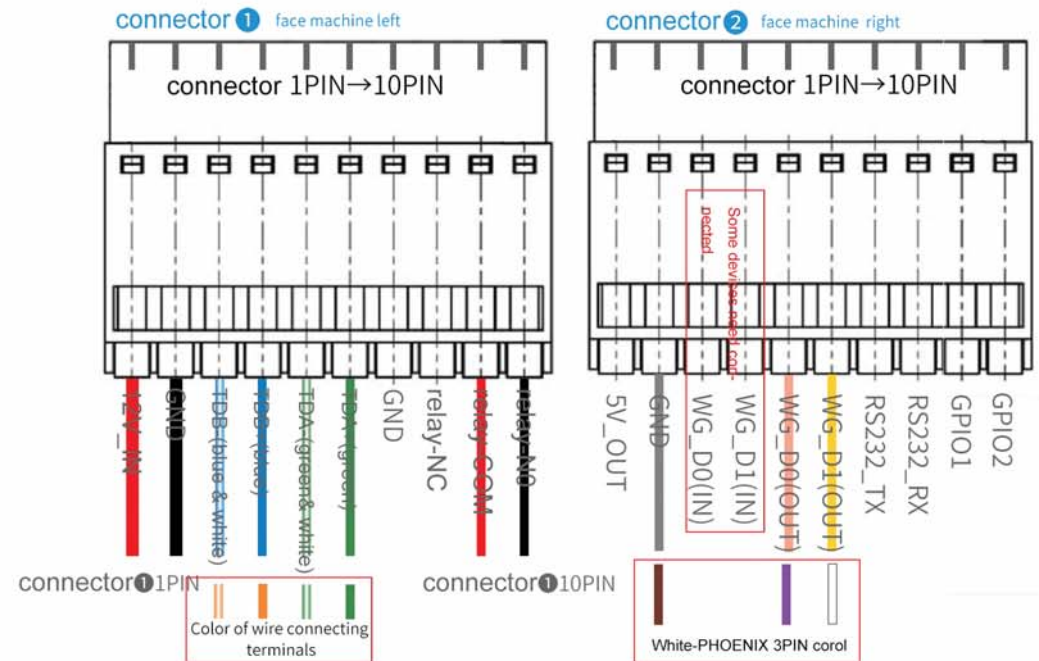
P3: black connector(2pin): +PIN slim red, -PIN slim black

P4: white connector(3 pin): D0- purple,  $\perp$  - brown, D1- white

P5: black connector(3 pin): D0- pink,  $\perp$  - grey, D1- yellow



## (Wiring Diagram Chart)



connector 1 1PIN→DC anode (Thick red line)

connector 1 2PIN→DC cathode (Bold black line)

connector 1 3PIN→TDB (blue & white)

connector 1 4PIN→TDB 3PIN (blue)

connector 1 5PIN→TDB 2PIN (green & white)

connector 1 6PIN→TDB 1PIN (green)

connector 1 7PIN not

connector 1 8PIN not

connector 1 9PIN→black connector (2 pin) anode (The red thin line)

connector 1 10PIN→black connector(2 pin) cathode (Thin Black Lines)

(Remarks: connect a separate wire to recognize the Weigan IC card reader (power 12V, GND, WGDO(IN), WGD1(IN) ) )



# 13/ Access controller connecting way

## 1. LAN connector :

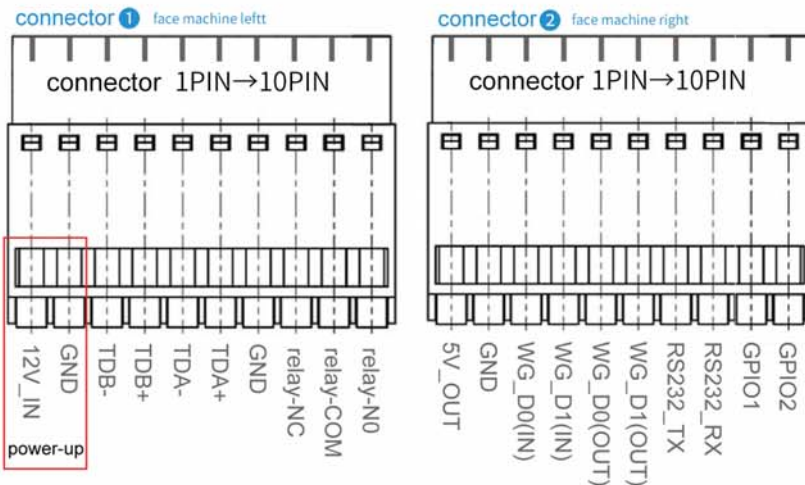
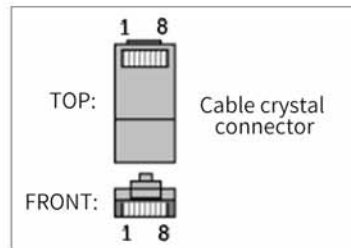
Define the wire colors

LAN port1PIN: orange white -connector①(3pin)

LAN port2PIN:orange - connector①(4pin)

LAN port3PIN: green white -connector①(5pin)

LAN port6PIN:green-connector①(6pin)



## 2. RS232 port

Connector② 7pin

Connector② 8pin

(Make sure 5V,GND,D0,D1 voltage before using it.RS232 output is customized wires)

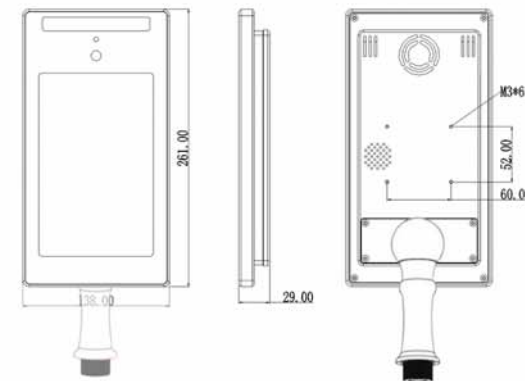
## 3. Access control switch

Connector① 9pin, connector① 10pin

# 14/ Deployment & Installation

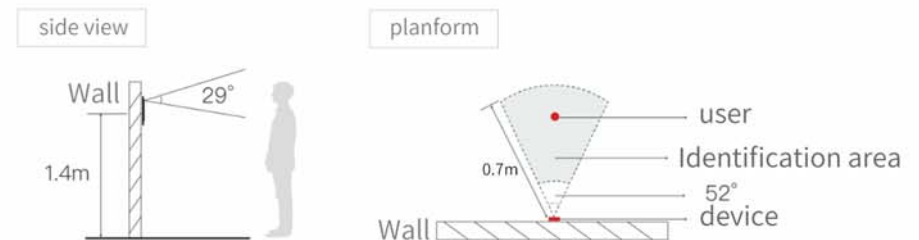
The equipment will be installed indoor environment. If it is installed outdoors or semi-outdoors, it is recommended to install isolation shell channel and rainproof and sunscreen shed. Ensure that there is no object with high heat source and strong sunlight within the detection range of the probe, including but not limited to direct sunlight, metal roof, etc.

Do not face sun from east direction or west direction !



Installations: Wall hanging, Floor type, desk type and gate brake

Suggested recognition distance: 0.5 ~0.7M



# 15/Parameters

## Hardware parameters

Model	CS2020
OS	Android
IR Camera	5Mp pixel
Display	8 inch , 800*1280@60HZ
Memory	RAM 1GB
Storage	ROM 8GB
CPU	MTK Quad core 1.3GHz

## performance parameter

Face Recognition distance	0.3-0.7m
Face Recognition speed	< 300ms
Face stored	at least 30,000 people
Power supply	DC12V/2A
Product size	261*138*29mm (L * W* H)

## Guarantee card

Date	contents	remarks

## Shenzhen Cityeasy Technology Co., Ltd.

Service phone: 400-188-2689      official website: [www.manbu.cc](http://www.manbu.cc)  
Address: 3/F, East Block 2, Saige Science Park, Huafa North Road,  
Futian District, Shenzhen



## Warning:

This device complies with Part 15 of the FCC Rules. Operation is subject to the following two conditions: (1) this device may not cause harmful interference, and (2) this device must accept any interference received, including interference that may cause undesired operation.

changes or modifications not expressly approved by the party responsible for compliance could void the user's authority to operate the equipment.

NOTE: This equipment has been tested and found to comply with the limits for a Class B digital device, pursuant to Part 15 of the FCC Rules. These limits are designed to provide reasonable protection against harmful interference in a residential installation. This equipment generates, uses and can radiate radio frequency energy and, if not installed and used in accordance with the instructions, may cause harmful interference to radio communications. However, there is no guarantee that interference will not occur in a particular installation. If this equipment does cause harmful interference to radio or television reception, which can be determined by turning the equipment off and on, the user is encouraged to try to correct the interference by one or more of the following measures:

- Reorient or relocate the receiving antenna.
- Increase the separation between the equipment and receiver.
- Connect the equipment into an outlet on a circuit different from that to which the receiver is connected.
- Consult the dealer or an experienced radio/TV technician for help.

NOTE: This device and its antenna(s) must not be co-located or operation in conjunction with any other antenna or transmitter

### RF Exposure Statement

To maintain compliance with FCC's RF Exposure guidelines, This equipment should be installed and operated with minimum distance of 20cm the radiator your body. This device and its antenna(s) must not be co-located or operation in conjunction with any other antenna or transmitter