

**YS-BS0341**  
**BBS-4/1824**  
**Portable Multifunction**  
**Light up Wireless Speaker**



**INSTRUCTION MANUAL**

PLEASE READ ALL INSTRUCTIONS CAREFULLY

AND RETAIN FOR FUTURE USE

## **Getting Started**

- Remove the product from the box.
- Please retain all packaging after you have checked and counted all the parts and the contents against the list.

## **Package Contents**

- Bluetooth Speaker
- Shoulder Strap
- USB Charging Cable
- 3.5mm Aux Cable
- Wired Microphone
- Instruction Manual

## **Key Features**

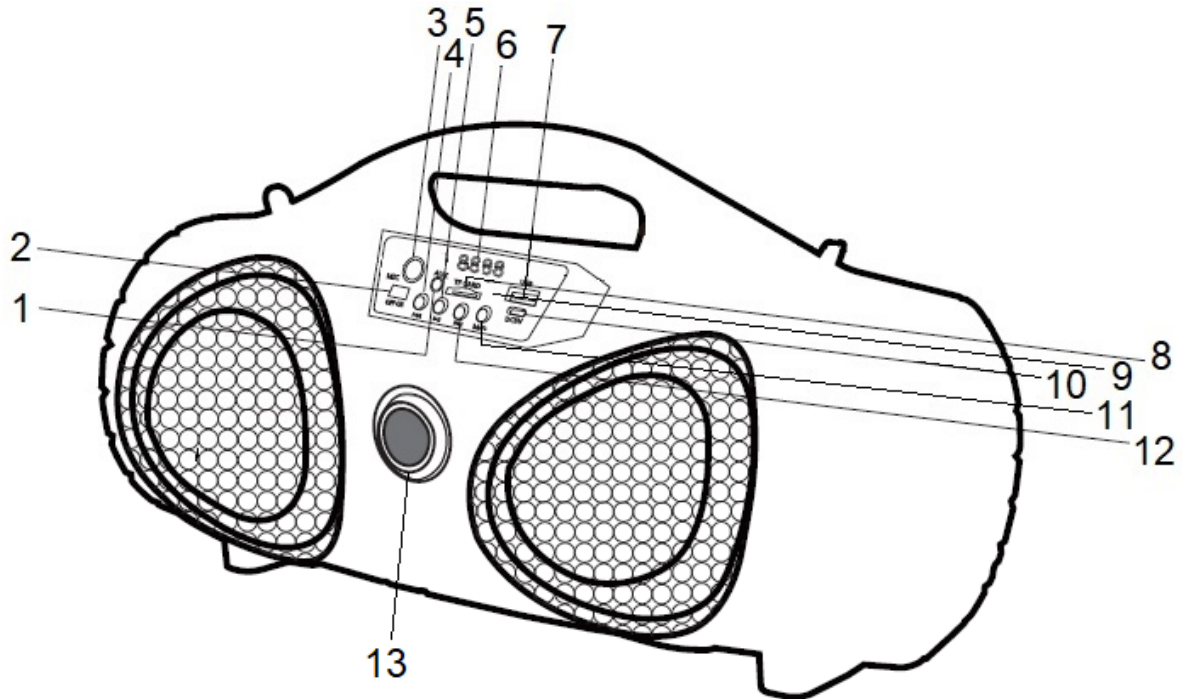
- Boombox – multifunction Bluetooth speaker with LED lights
- Connect & stream wireless music anytime, anywhere.
- Delivers rich sound with bass.
- Speaker output: 2x5W = total 10W output
- Wireless range up to 33 feet
- Supports USB slot, Aux jack, Micro-SD card & FM Radio.
- Wired microphone included.
- Shoulder strap included.
- Long-lasting rechargeable battery
- Built-in microphone input
- Micro USB cable included.

## **Safety Instructions**

- Keep the unit away from heat sources, direct sunlight, humidity, water and any other liquids.
- Do not use the unit if it has been dropped or damaged in any way.
- Repairs to electrical equipment should only be performed by a qualified electrician. Improper repairs may place the user at serious risk.
- Do not use the unit with wet hands.
- Do not put objects into any of the openings.
- Keep the unit free from dust, lint etc.
- Do not use this unit for anything other than its intended use.
- Keep the unit out of reach of children.

- This unit is not a toy.

## Description of Parts



## Location of Controls

Number	Item	Function
1	AUX IN	External audio input
2	ON/OFF SWITCH	Turn the speaker On or Off
3	MIC IN	Microphone input
4	PREVIOUS TRACK/STATION	Bluetooth/USB/SD card mode: Skip to previous track FM radio mode: Skip to the previous already saved radio station
5	PLAY/PAUSE/SCAN	PLAY/PAUSE, scan FM radio stations (only in FM radio mode)
6	LED display	Display the operating function
7	USB slot	USB input (Flash Drive)
8	Micro SD (TF) slot	Micro SD (TF) card input
9	CHARGING INDICATOR	Turns RED while charging. Turns off when fully charged
10	DC 5V IN	Charging port
11	MODE/LIGHT button	Short press to change the mode between Bluetooth / FM radio / USB / SD / AUX Long press to turn on/off the colour changing LED lights
12	NEXT TRACK/STATION	Skip to the next track in Bluetooth/USB/SD card mode/Skip to the next radio station in FM radio mode

13	VOLUME KNOB	Increases/Decrease the speaker volume
----	-------------	---------------------------------------

## INSTRUCTIONS FOR USE

### Charging the Boombox Bluetooth Speaker

**For best results, fully charge the unit before use.**

1. Plug the Micro USB end of the included USB charging cable into the charging port of the speaker. Plug the other end into a USB port on your computer or USB power source with 1A output.
2. Charging Indicator turns RED while charging, and turns off when fully charged

Note: Before using the unit for the first time, please charge it for around 3-5 hours or until the Charging Indicator turns off.

### Turn On/Off the Speaker

Slide the ON/OFF SWITCH to ON position to turn on the unit with colour changing LED lights, or OFF position to turn off the unit.

### Pairing your device with the Speaker –

Your **Bluetooth Speaker** can stream wireless audio from any Bluetooth enabled device within the range of up to 33 feet. Simply follow the below steps.

1. Rotate the volume knob to your favourite sound level.
2. Turn ON the speaker.
3. LED display will show 'HIFI' -> 'Lod' -> 'Uxx' (where xx is the volume level within 00 to 30) -> then 'bLUE, and indication tone would be heard. The speaker is now in pairing mode.
4. Turn on the Bluetooth on your Mobile Phone or Tablet or Computer.
5. It will search for available Bluetooth devices.
6. Bluetooth Speaker would appear as "**SL BOOMBOX**", in the list of searched devices. Select it from the available list of devices.
7. If required, enter the password '0000' to confirm pairing.
8. Once paired successfully, another indication tone would be heard.
9. If you fail to pair it within a few seconds or you want to pair it with a new device, please repeat above steps.

Play your favourite song on the Bluetooth source device and music would now stream through the speaker.

### Listening to Wireless Music

Please ensure that your device (iPhone, Tablet or Other Smart Phone) is paired with the speaker to stream wireless music. Once it is paired, play music from your device.

Function	Operation	Button
Increase / Decrease Volume	Playing music	Turn VOLUME KNOB to adjust the volume to your desired level, or Adjust volume from the source device (in Bluetooth mode only).
Pause	Playing music	Short press PLAY/PAUSE/SCAN button once to pause music
Play	Pause	Short press PLAY/PAUSE/SCAN button once to resume music
Previous track	Playing music	Short press the PREVIOUS TRACK/STATION button to the previous track
Next track	Playing music	Short press the NEXT TRACK/STATION button to the next track

### Listening to Music using USB / Micro SD (TF) Card Slot

1. Rotate the volume knob to your favourite sound level.
2. Turn on the speaker.
3. Insert USB flash drive into the USB slot or Micro SD (TF) card into the Micro SD (TF) card slot accordingly. LED display will show 'Lod' -> 'USB' or 'Lod' -> 'Sd' first, and music would play automatically with LED display showing 'USB' or 'TF', track number & music time.
4. Short press the NEXT TRACK/STATION button or PREVIOUS TRACK/STATION button to move forward or backward on your playlist.
5. Short press PLAY/PAUSE/SCAN button to Play or Pause a track.

### Listening to Music using AUX-In

1. Rotate the volume knob to your favourite sound level.
2. Turn on the speaker.
3. Plug the 3.5 mm Aux-in cable (included) into the AUX-In port of the speaker. Short press the MODE button each time until it reaches Aux-in mode. LED display will show 'Lod' -> 'AUX' & 'LINE' with indication tone. Plug the other end of the Aux-in cable to the audio device (such as MP3 Player, Computer, Tablet etc.).
4. Select your favourite song at the source device to play.

(Note: While using AUX-In function, except volume function, all functions such as playing next/previous track can be controlled only through your source device).

### **Listening FM radio**

1. Rotate the volume knob to your favourite sound level.
2. Turn on the speaker.
3. Short press the MODE button each time until it reaches FM radio mode, LED display will show 'Lod', then 'FM' radio frequency with sound.
4. Press and hold the PLAY/PAUSE/SCAN button 2-3 seconds for searching and recording all radio stations within frequency range 87.5-108MHz.
5. Short press the NEXT TRACK/STATION button or PREVIOUS TRACK/STATION button for listening next or previous already saved radio station.

### **Tips!!**

1. Short press the MODE button to switch different functions of the speaker. The functions are – Bluetooth / USB-Micro SD (TF) / FM radio / AUX.
2. When the speaker is not in use, turn OFF the device to save the battery power.
3. Do not overcharge the speaker.

### **Colour Changing LED lights in front of speaker.**

1. Turn on the speaker.
2. Long press the LIGHT button can turn on/off the colour changing LED lights.

### **Using the Microphone**

1. Turn on the speaker.
2. Insert the plug of the Microphone into the MIC INPUT of the speaker.
3. Turn on the Microphone and speak for microphone operation or sing for Karaoke operation.
4. Turn VOLUME KNOB to adjust the desired level.

### **Do's and Don'ts**

- Do not play music at excessive levels as damage to hearing and/or equipment may result.
- Do not use outdoors in wet or in damp surroundings.

### **Care and maintenance**

Clean the unit with a soft, dry cloth. Never use chemicals or hard abrasives.

Keep this unit away from wet or damp surroundings.

**Product Specifications:**

Bluetooth version: 5.0

Unit size: 14.8" L x 6.1" W x 7.5" H

Unit weight: ~40.4 oz

Power input: DC 5V

Charging time: 3-5 hours

Play time: Up to 2 hours (maximum volume)

Bluetooth range: 33 feet

FM frequency range: 87.5-108MHz

Built-In Rechargeable Lithium Battery: 3.7V 1200mAh

(Note: Battery life & charging time may vary based on usage, types of devices connected & wireless distance.)

**TROUBLESHOOTING**

<b>Problem</b>	<b>Possible Cause</b>	<b>Solution</b>
<b>Low sound level</b>	Source (Tablet, Mobile Phone, Laptop, etc.) volume too low. Battery dead	Adjust source volume. Charge battery.
<b>No sound</b>	Volume in minimum position. The connected device is not in play mode. Input source incorrect.	Turn VOLUME knob to increase the volume. Play the music in the connected device and make sure the volume level is in high level. Press the MODE button to set the input source to the desired function.
<b>Sound distortion</b>	Volume level too high	Turn VOLUME knob to decrease the volume.

**FCC Warning Statement**

Changes or modifications not expressly approved by the party responsible for compliance could void the user's authority to operate the equipment. This equipment has been tested and found to comply with the limits for a Class B digital device, pursuant to Part 15 of the FCC Rules. These limits are designed to provide reasonable protection against harmful interference in a residential installation. This equipment generates uses and can radiate radio frequency energy and, if not installed and used in accordance with the instructions, may cause harmful interference to radio communications. However, there is no guarantee that interference will not occur in a particular installation. If this equipment does cause harmful interference to radio or television

reception, which can be determined by turning the equipment off and on, the user is encouraged to try to correct the interference by one or more of the following measures:

- - Reorient or relocate the receiving antenna.
- - Increase the separation between the equipment and receiver.
- - Connect the equipment into an outlet on a circuit different from that to which the receiver is connected.
- - Consult the dealer or an experienced radio/TV technician for help.

This device complies with part 15 of the FCC Rules. Operation is subject to the following two conditions: (1)

This device may not cause harmful interference, and

(2) this device must accept any interference received, including interference that may cause undesired operation.

The device has been evaluated to meet general RF exposure requirement. The device can be used in portable exposure condition without restriction

#### **Limited Warranty**

This manufacturer's product warranty extends to the original consumer purchaser of the product. Neither the retailer nor any other company involved in the sale or promotion of this product is a co-warrantor of this manufacturer warranty.