

TRANSPARENT TWS STEREO EARBUDS WITH LED DISPLAY



Model No. YS-TWS096 (39278)

INSTRUCTION MANUAL

**PLEASE READ ALL INSTRUCTIONS CAREFULLY
AND RETAIN FOR FUTURE USE**

Getting Started

- Remove the product from the packaging.
- Please retain all packaging after you have checked and counted all the parts and the contents against the Package Contents list.

Package Contents

- TWS Stereo Earbuds
- Charging Case
- USB Charging Cable
- Instruction Manual

Features

- Transparent TWS Stereo Earbuds with LED Display on Charging Case
- LED display shows remaining battery capacity on Charging Case
- Connect & stream wireless music
- Supports Android or iOS
- Built-in long lasting 30mAh on each Earbud and 200mAh for Charging Case
- Play time of up to 3 hours on a single charge for Earbuds
- Supports hands-free call pick-up
- Optimized for Google Assistant and Siri

Safety Instructions

Keep the unit away from heat sources, direct sunlight, humidity, water and any other liquids.

Do not operate the unit if it has been exposed to water, moisture or any other liquids to prevent against electric shock, explosion and/or injury to yourself and damage to the unit.

Do not use the unit if it has been dropped or damaged in any way.

Repairs to electrical equipment should only be performed by a qualified electrician. Improper repairs may place the user at serious risk.

Do not use the unit with wet hands.

Do not put objects into any of the openings.

Keep the unit free from dust, lint etc.

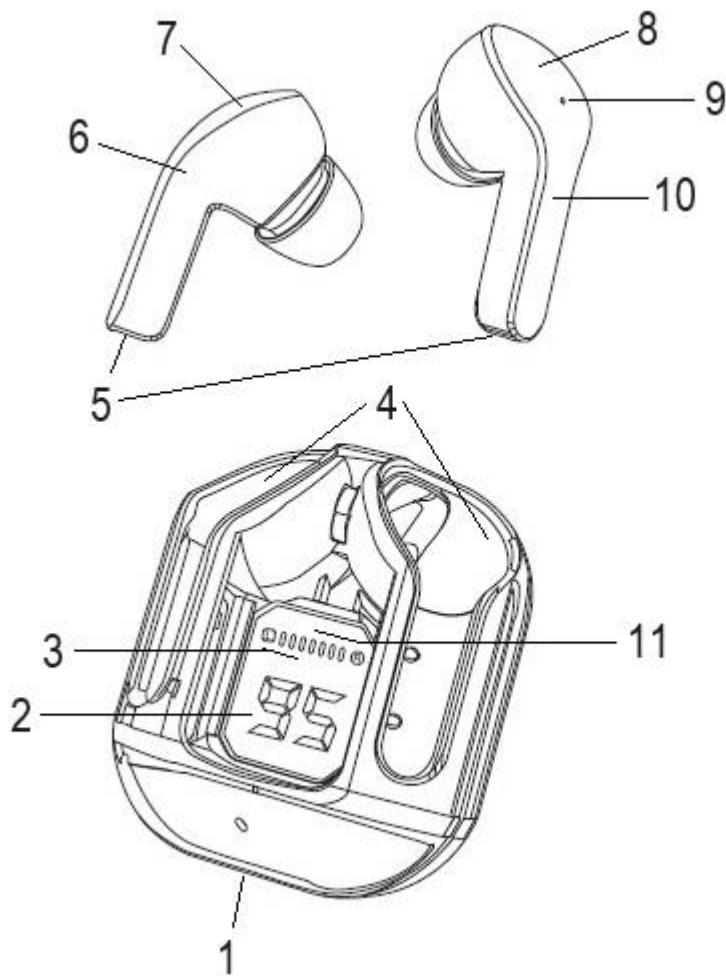
Do not use this unit for anything other than its intended use.

Keep the unit out of reach of children.

This product is not a toy.

Do not use the headset at excessive volume levels, as damage to hearing may occur.

Description of Parts:



1	Charging Port
2	Digital Display
3	Charging Indication for Left Earbud
4	Earbud Charging Slots
5	Built-in Microphone
6	Left Earbud
7	Left Earbud Touch Pad (Multi-function)
8	Right Earbud Touch Pad (Multi-function)
9	LED Light Indicator
10	Right Earbud
11	Charging Indication for Right Earbud

INSTRUCTIONS FOR USE

Charging Instructions

The Charging Case and Bluetooth Earbuds come with built in rechargeable battery. Before using it for the first time you're recommended to charge the battery fully. Please recharge the battery by following either one of the methods below, every time they need to be recharged.

To charge the Charging Case (without Bluetooth Earbuds)

Plug the Type-C end of the included USB charging cable into the charging port of the Charging Case. Plug the other end into a suitable USB port such as the one on your computer or other devices made for USB charging. Digital display will flash to show the battery capacity of charging case.

It takes less than 2 hours for the case to fully charge. When the battery is fully charged, 99 will show on the digital display.

To charge the Bluetooth Earbuds

1. After fully recharging the Charging Case, disconnect it from charging.
2. Place the Bluetooth Earbuds into respective charging slots correctly.
3. The LED light indicator on the Earbuds turns on red and the digital display on the Charging Case will show its remained battery capacity. It takes less than 2 hours for the Earbuds to fully charge. When the battery is fully charged, the red LED light will turn off, and the digital display on the Charging Case will also turn off soon.

Turning on/off the Bluetooth Earbuds

Remove the Earbuds from the Charging Case, it will turn on automatically (Or, if the Earbud is not stored inside the Charging Case, long press the touch pad of the Earbud to turn ON.)

Long press the touch pad of the Earbud to turn OFF the device. Or, place the Earbuds back into the Charging Case, it will turn off for recharging automatically.

Pairing both Bluetooth Earbuds with Bluetooth devices (phone or tablet that support call-answering)

- Remove both Earbuds from the Charging Case, it will turn on automatically and the LED flashes red and blue alternatively (*Or, if both Earbuds are not stored inside the Charging Case, long press the touch pad of the Earbuds to turn ON. An indication tone will be heard and the LED flashes red and blue alternatively.)
- After few seconds, you will hear another indication tone when both Earbuds are connected together. The LED light indicator on one Earbud will flash red and blue, and the LED light indicator on the other Earbud will turn off.
- At this point, activate the Bluetooth function on your mobile device, and search for Bluetooth devices near you.
- Once you have activated Bluetooth on your mobile device, select the "**SL TWS Earbuds**" from the list of available Bluetooth devices.
- You might be prompted with "Pair with **SL TWS Earbuds**?" message on your source

device, with “Cancel” and “OK” options. Please select “OK”.

- Once paired successfully, an indication tone will be heard and the LED on both units will turn off.

Making a call with the Bluetooth Earbuds in Stereo pairing mode

Basic operation

Function	Operation	Button
Answer incoming call	Incoming Call	Short press the Touch Pad of one Earbud to answer an incoming call.
Reject Incoming Call	Incoming Call	Press and hold the Touch Pad of one Earbud for 2 second
End call	Incoming Call	After your phone conversation, short press the Touch Pad of one Earbud

Note: both Earbuds support phone conversation.

Listening to Music Wirelessly in Stereo pairing mode

Please ensure that your device (iPhone, Tablet or Other Smart Phone) is paired with the Bluetooth Earbuds to stream music wirelessly. Once it is paired, play music from your device.

Function	Operation	Button
Volume increase	Playing music	Short press the Touch Pad of right Earbud three times
Volume decrease	Playing music	Short press the Touch Pad of left Earbud three times
Pause	Playing music	Short press the Touch Pad of one Earbud will pause the music
Play	Pausing	Short press the Touch Pad of one Earbud will resume the music
Next track	Playing music	Short press the Touch Pad of right Earbud twice
Previous track	Playing music	Short press the Touch Pad of left Earbud twice

Note: An indication tone will alert you when the volume is set to maximum level.

Pairing either one Bluetooth Earbud with Bluetooth devices (phone or tablet that support call-answering)

- Remove one of the Earbud from the Charging Case, it will turn on automatically and the LED flashes red and blue alternatively (Or, if the Earbud is not stored inside the Charging Case, long press the touch pad of the Earbud to turn ON. An indication tone will be heard and the LED flashes red and blue alternatively.)
- Place the Bluetooth Earbud and Bluetooth device (phone or tablet that support call answering) no further than 3 feet apart from each other;
- Activate the Bluetooth function on your mobile device. Please refer to the manufacturer’s instructions for instructions on enabling Bluetooth on your device.

- Once you have activated Bluetooth on your mobile device, select the “**SL TWS Earbuds**” from the list of available Bluetooth devices.
- You might be prompted with “Pair with **SL TWS Earbuds?**” message on your source device, with “Cancel” and “OK” options. Please select “OK”.
- If required, enter the password ‘0000’ to confirm & finalize pairing.
- Once paired successfully, another indication tone will be heard and the LED will turn off.
- You can now start to use the Earbud.
- If pairing is unsuccessful, turn off the device first and then re-pair following the above steps.
- Once you have paired the Bluetooth Earbud with a mobile device, the Earbud will remember this mobile device and will pair automatically when its Bluetooth is activated within the range, during subsequently pairing. You do not need to re-pair any previously connected devices.
- The Bluetooth Earbud will attempt to automatically connect to the last device it was paired with when switched on. If you want to pair it with a new device, please follow the steps outlined above.

Making a call with the Bluetooth Earbud in Bluetooth mode

Basic operation

Function	Operation	Button
Answer incoming call	Incoming Call	Short press the Touch Pad to answer an incoming call.
Reject Incoming Call	Incoming Call	Press and hold the Touch Pad for 2 second
End call	Incoming Call	After your phone conversation, short press the Touch Pad

Listening to Music Wirelessly

Please ensure that your device (iPhone, Tablet or Other Smart Phone) is paired with the Bluetooth Earbuds to stream music wirelessly. Once it is paired, play music from your device.

Function	Operation	Button
Volume increase	Playing music	Short press the Touch Pad three times
Pause	Playing music	Short press the Touch Pad will pause the music
Play	Pausing	Short press the Touch Pad will resume the music
Next track	Playing music	Short press the Touch Pad of Earbud twice

Note: An indication tone will alert you when the volume is set to maximum level. Other functions including volume decrease and previous track will need to adjust on your device.

Voice Assistant Operation

Voice Assistant is a built-in interactive feature that allows you to start a conversation with Your Siri or Google Assistant. Long press the touch pad of the Earbud for 2 seconds to activate this feature.

This feature enables you to ask questions and seek assistance on a number of things from your Voice Assistant, even when you're several feet away from your phone. Below are some of the many examples listed.

Note: Google Assistant is available on eligible Android 5.0 devices or later. Works on Lollipop, Marshmallow and Nougat Android Phones with Google Play Services, >1.5GB of memory and 720P or higher screen resolution. Please ensure Google Assistant App is downloaded and made as default Voice Assistant on your mobile device.

While the Earbud is paired using Bluetooth, long press the Touch Pad for 2 seconds to start conversation with your Siri or Google Assistant. An indication tone may be heard before you speak into the Earbud.

- Example 1: Long press the Touch Pad for 2 seconds and then speak into the Earbud, how's the weather today?
Voice Assistant will reply with something like: mainly cloudy with a few showers.
- Example 2: Long press the Touch Pad for 2 seconds, and then speak into the Earbud, what's the time now?
Voice Assistant will reply with something like: it is 8pm now.
- More examples:
Set an alarm for 7am tomorrow.
Play some music.
What's in the news?

Care and Maintenance

Read the following recommendations before using the Bluetooth Earbuds. Following these you will be able to enjoy the product for many years.

- Don't expose the Bluetooth Earbuds to liquid, moisture or humidity to avoid the product's internal circuit being affected.
- Don't use abrasive cleaning solvents to clean the device.
- Don't expose the device to extremely high or low temperature as this will shorten the life of electronic devices, destroy the battery or distort certain plastic parts.
- Don't dispose of the device in a fire as it will result in an explosion.
- Don't expose the device to contact with sharp objects as this will cause scratches and damage.
- Don't let the device fall on the floor. The internal circuit might get damaged.
- Don't attempt to disassemble the device as it may get damaged if you are not professional.

Specifications

Bluetooth specification	Bluetooth 5.3
Operating Range	Up to 33 feet
Working time	Up to 3 hours (moderate volume)
Charging input voltage	DC 5V
Charging time	Less than 2 hours
Built-In Battery	Charging Case: 200mAh Bluetooth Earbud: 30mAh (each)
Size	Charging Case: 1.66" (L) x 1.12" (D) x 1.95" (H) Bluetooth Earbud: 0.72" (L) x 0.95" (D) x 1.34" (H) (each)
Weight	Charging Case: 0.7 oz Bluetooth Earbud: 0.1 oz (each)

(Note: Battery life & charging time may vary based on usage & types of devices used.)

FCC Instructions

Caution: Changes or modifications not expressly approved by the party responsible for compliance could void the user's authority to operate the product.

NOTE: This product has been tested and found to comply with the limits for a Class B digital device, pursuant to Part 15 of the FCC Rules. These limits are designed to provide reasonable protection against harmful interference in a residential installation. This product generates, uses and can radiate radio frequency energy and, if not installed and used in accordance with the instructions, may cause harmful interference to radio communications. However, there is no guarantee that interference will not occur in a particular installation. If the product does cause harmful interference to radio or television reception, which can be determined by turning the equipment off and on, the user is encouraged to try to correct the interference by one or more of the following measures:

- Reorient or relocate the receiving antenna.
- Increase the separation between the product and receiver.
- Connect the product into an outlet on a circuit different from that to which the receiver is connected.
- Consult the dealer or an experienced radio/TV technician for help.

This device complies with part 15 of the FCC Rules. Operation is subject to the following two conditions: (1) This device may not cause harmful interference, and (2) this device must accept any interference received, including interference that may cause undesired operation. This equipment complies with FCC radiation exposure limits set forth for an uncontrolled environment. This equipment should be installed and operated with minimum distance 0cm between the radiator and your body.