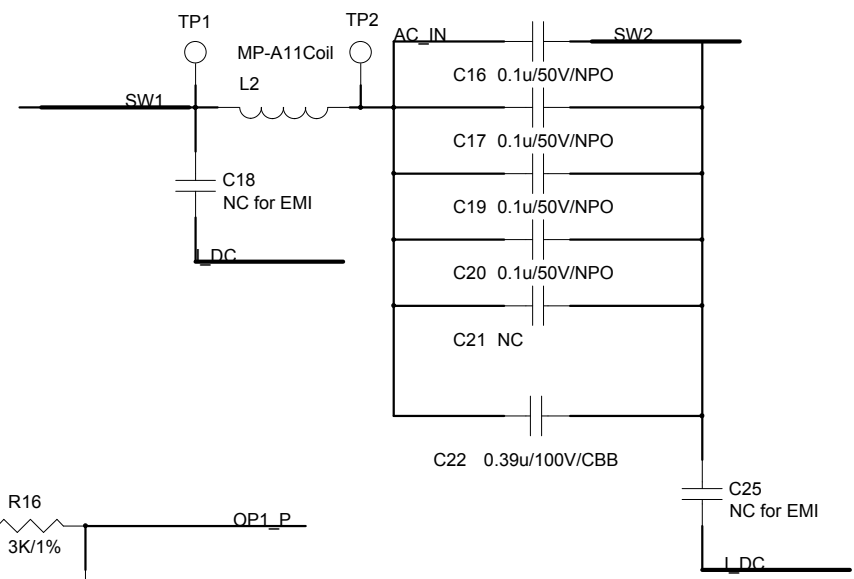
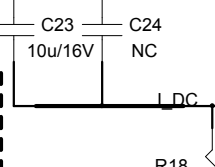
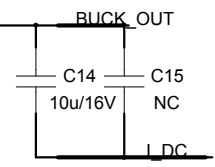
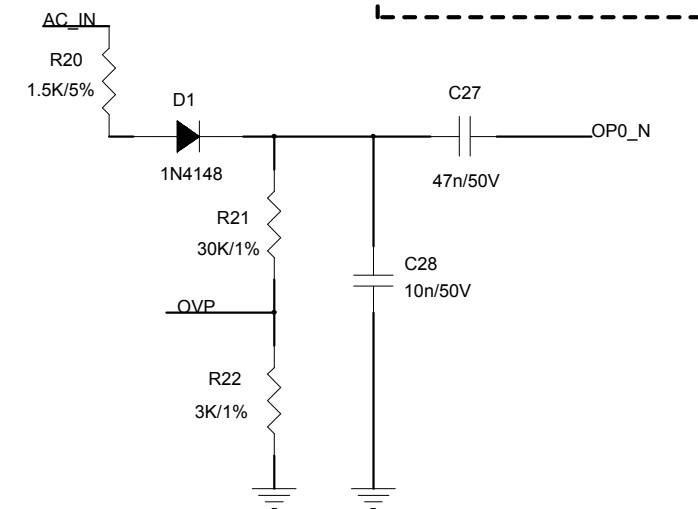
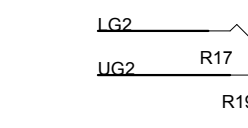
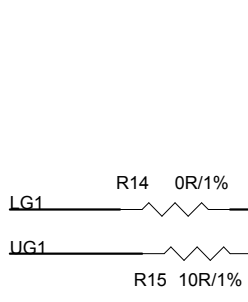
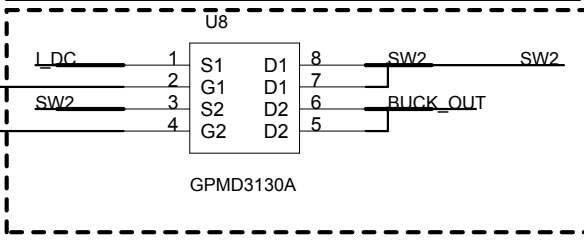
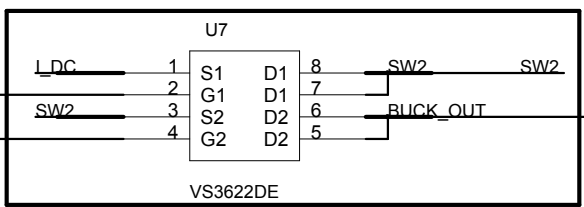
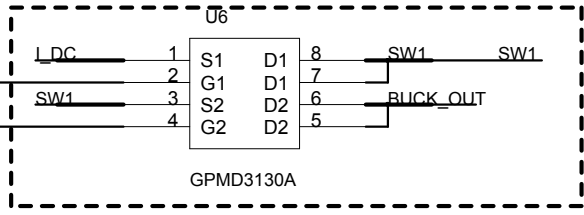
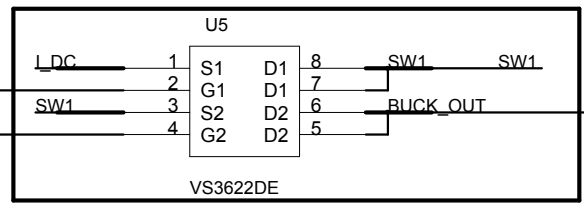
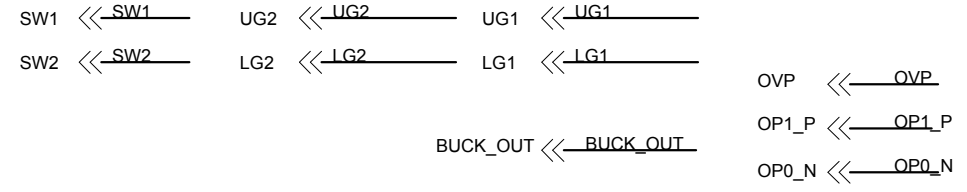


- VDD <<< VDD
- VPP <<< VPP
- DP <<< DP
- DM <<< DM
- OTG <<< OTG
- BUCK_EN <<< BUCK_EN
- BUCK_OUT <<< BUCK_OUT
- FB_CONTROL <<< FB_CONTROL
- CC1 <<< CC1
- CC2 <<< CC2
- CC_IN <<< CC_IN
- CC_OUT <<< CC_OUT

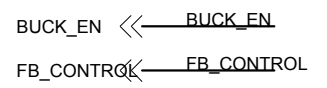
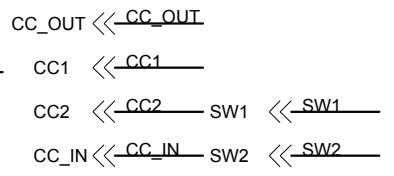
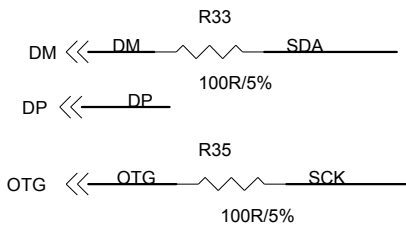
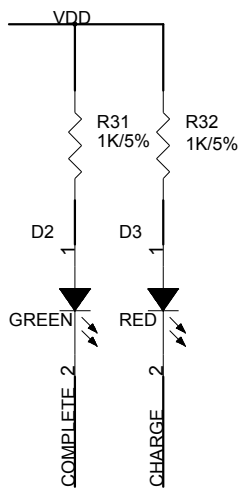
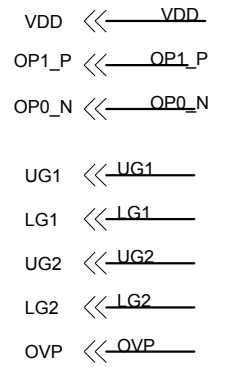
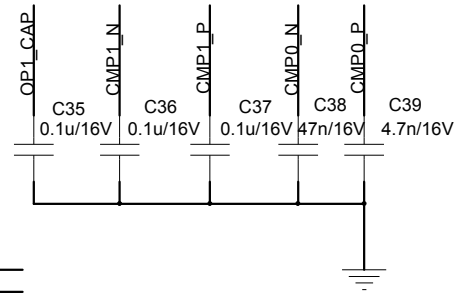
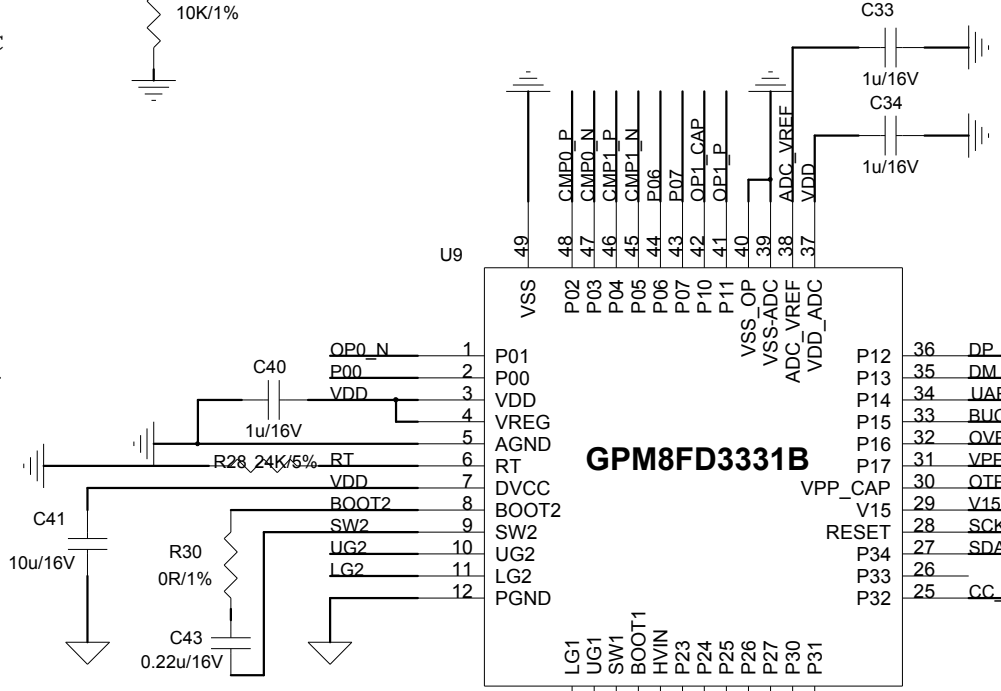
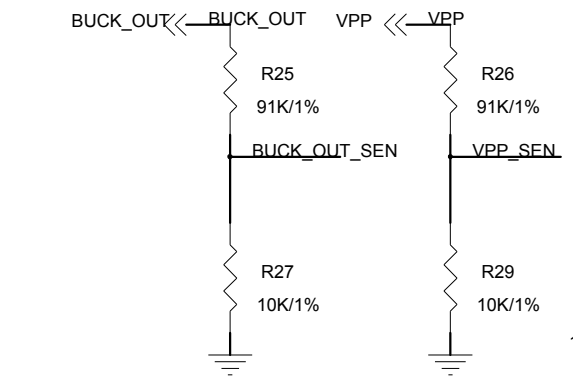
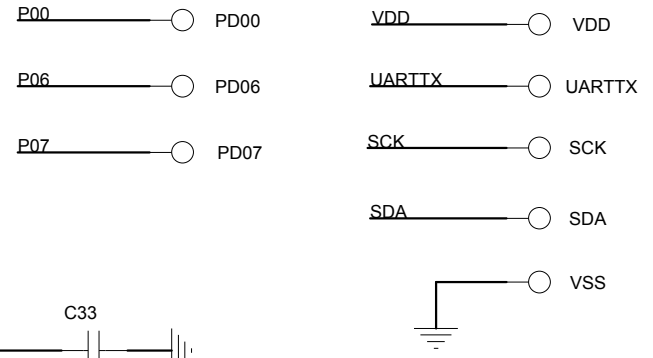
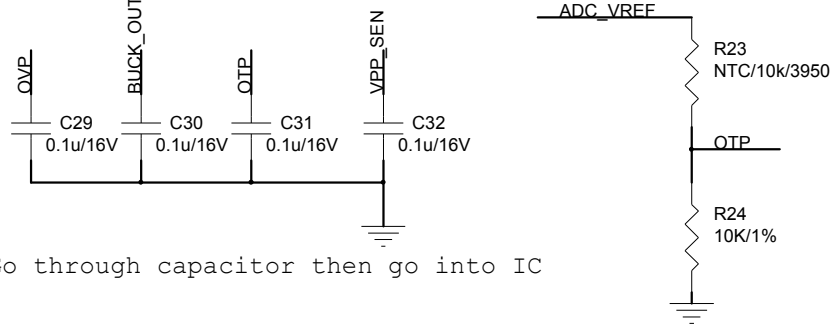
Title		
Power		
Size	Document Number	Rev
A	GPM8FD33331B_MP_A11_Board	1.0
Date:	Thursday, April 16, 2020	Sheet 1 of 3

PWM Driver



Title		
halfbridge1		
Size	Document Number	Rev
A	GPM8FD33331B_MP_A11_Board	1.0
Date:	Thursday, April 16, 2020	Sheet 2 of 3

Over 2.3V , temperature protection



Title		
MCU		
Size	Document Number	Rev
A	GPM8FD3331B_MP_A11_Board	1.0
Date:	Thursday, April 16, 2020	Sheet 3 of 3