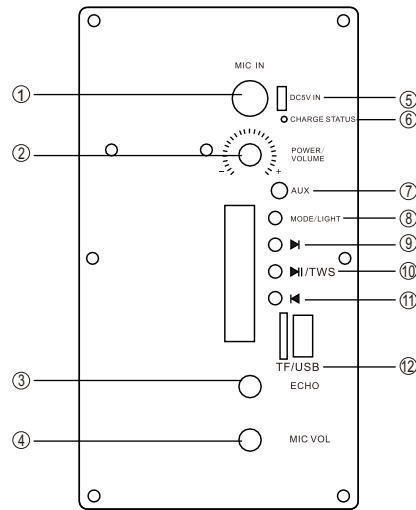


PORTABLE BATTERY SPEAKER

User Manual
TK-8308



Control Panel Function



1. MIC input
2. Power/VOLUME -&+
3. ECHO: Echo volume adjustment
4. MIC.VOL:Microphone volume control
5. DC interface (5V)
6. Charging Indicator
RED=Charging Light off = Fully Charged
7. AUX input
8. MODE/LIGHT(Long press to turn on/off light; Lightly press to enter into selection for Bluetooth,FM Radio,AUX Input,USB,TF)
9. Next track
10. Play/Pause&TWS (Wirless Bluetooth Connection: under bluetooth mode, press TWS button for around 3 seconds to pairing another TWS speaker; Under FM mode, lightly press Play/Pause&TWS to enter into automatic scan and all the scanned radio stations will be saved automatically.)
11. Previous track
12. TF/USB input

SPECIFICATIONS

Power Output:	8W
Frequency Response for main speaker:	38Hz-20KHz
Power Supply:	DC5V

POWER SOURCE

1. Please charge the unit at least 4 hours before first time using.
2. Twist the dial clockwise/anticlockwise to switch on/off the unit.

CHARGE THE BATTERY

When the battery is charging, the CHARGE STATUS lights shows on the LED display is red. After the battery has fully charged, the light turns off.

1. Connect the USB charge cable to the DC5V interface of the speaker firmly.
2. When the battery is fully charged, please disconnect the USB charge cable from the speaker.
3. The speaker works normally when charging.

POWER/VOLUME

Twist the dial clockwise/anticlockwise to increase/decrease the volume.

PREVIOUS/NEXT BUTTON

Under playing status, press PREVIOUS/NEXT button to get back to a previous or next song.

PAUSE/PLAY BUTTON

To stop playing the current track, please press PAUSE/PLAY button on the control panel. Press it once again to continue playing.

MODE/LIGHT

Long press to turn on/off light.

Lightly press to enter into playing mode selection(Bluetooth,FM Radio,AUX Input, USB,TF).

AUX IN JACK

1. Connect an audio cable to the AUX IN JACK of the speaker and to the audio output socket on the external audio devices such as MP3 player, discman,etc,then select LINE by pressing the MODE/LIGHT button on the control panel .
2. Play from an external audio device.

MIC IN JACK

Plug in microphone directly for playing.

USB JACK

Insert USB card directly for playing.

TF JACK

Insert TF card directly for playing.

FM FUNCTION

Lightly press MODE/LIGHT button to switch to FM mode. Press PLAY/PAUSE button on control panel for automatic searching and saving the radio stations, by pressing PREVIOUS or NEXT you can select a previous or next radio station.

Bluetooth:

Long press MODE/LIGHT button on control panel to select Bluetooth mode. Simultaneously open the Bluetooth setting on your phone, tablet or any other bluetooth enabled audio device and select "TK-8308"(no need to match code),the unit and device will then connected via Bluetooth. Press the "NEXT SONG" and "PREVIOUS SONG" button on the control panel to select the song, press "PLAY/PAUSE" button to control the playing status.

This device complies with Part 15 of the FCC Rules. Operation is subject to the following two conditions: (1) this device may not cause harmful interference, and (2) this device must accept any interference received, including interference that may cause undesired operation

NOTE: This equipment has been tested and found to comply with the limits for a Class B digital device, pursuant to Part 15 of the FCC Rules. These limits are designed to provide reasonable protection against harmful interference in a residential installation. This equipment generates, uses and can radiate radio frequency energy and, if not installed and used in accordance with the instructions, may cause harmful interference to radio communications. However, there is no guarantee that interference will not occur in a particular installation.

If this equipment does cause harmful interference to radio or television reception, which can be determined by turning the equipment off and on, the user is encouraged to try to correct the interference by one or more of the following measures:

- Reorient or relocate the receiving antenna.
- Increase the separation between the equipment and receiver.
- Connect the equipment into an outlet on a circuit different from that to which the receiver is connected.
- Consult the dealer or an experienced radio/TV technician for help.

Warning: changes or modifications not expressly approved by the party responsible for compliance could void the user's authority to operate the equipment