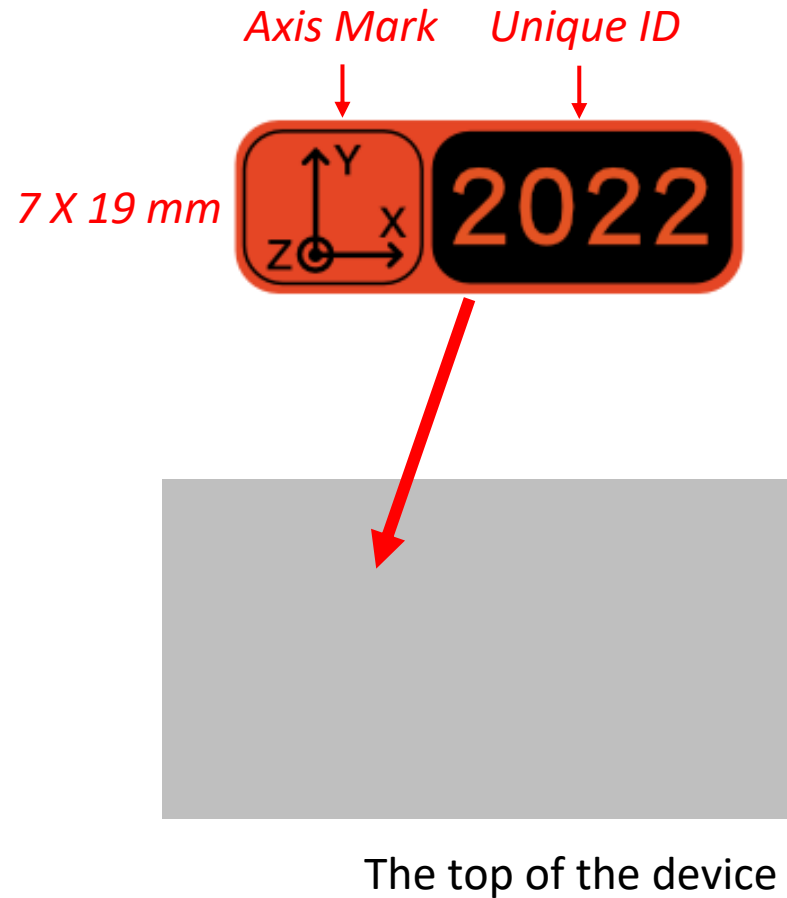


# MotorSense Node-1.5.A

## Label Design and Location

---



### Package Label

**Product : MotorSense**

**Model : Node-1.5.A**

FCC ID : 2AWFZVW14A

IC: 26105-VW14A

MADE IN KOREA

 MotorSense 

