

## Portable Outdoor Speaker



**PB405**

### Instruction Manual

Please read all of the instructions carefully and retain for future reference

#### Safety Instruction

##### Safety Instructions

- When using electrical units, basic safety precautions should always be followed.
- Children aged from 8 years and people with reduced physical, sensory or mental capabilities or lack of experience and knowledge can use this unit, only if they have been given supervision or instruction concerning use of the unit in a safe way and understand the hazards involved.
- Children should be supervised to ensure that they do not play with unit.
- Unless they are older than 8 and supervised, children should not perform cleaning or user maintenance.
- This unit is not a toy.
- This unit contains no user serviceable parts, if the unit and any of its accessories are malfunctioning or it has been dropped or damaged, only a qualified electrician should carry out repairs, improper repairs may place the user at risk of harm.
- Keep the unit out of reach of children.
- Keep the unit away from heat or sharp edges that could cause damage.
- Keep the unit away from heat sources, direct sunlight, humidity, water and any other liquid.
- Keep the unit free from dust, lint, etc.
- Do not immerse the unit in water or any other liquid.
- Do not operate the unit if it has been exposed to water, moisture or any other liquid to prevent against electric shock, explosion and / or injury to yourself and damage to the unit.
- Do not use the unit for anything other than its intended use.
- Do not store the unit in direct sunlight or in high humidity conditions.
- Do not put objects into any of the openings.
- Do not play music at excessive volume levels as damage to hearing and / or the equipment may occur. It is imperative to unplug the adaptor after the unit has been used, before it is cleaned and whilst being repaired.
- To prevent possible hearing damage, do not listen at high volume levels for long periods of time.
- Warning : Keep the unit away from flammable materials.
- If the machine is taken outdoors for a long time (-20°C temperatures), there will be battery protection phenomenon, unit does not work.

#### Specifications

Power :	70W (2x35W)
Driver Size:	4"x2 + 0.78"x2 + 2 x passive speaker
Bluetooth:	BT5.3 – Range 15 Meters
Frequency Response:	60Hz-20KHz
S/N:	≥ 80dB
IP Rating:	IP66
USB Input:	5V/9V/12V/15V/20V – Max:30W
USB-C output:	5V/9V/12V - Max:30W
Li-ion Battery :	11.1V 4000mAh
Product size:	L402xW162xH220mm

#### Getting Started

- Remove the unit from the box .
- Remove any packaging from the unit .
- Place the packaging inside the box and either store or dispose of safely .

#### In The Box

NSY-PB01 Speaker	*1
Type C Charging Cable	*1
Strap	*1
User Manual	*1

#### Features

##### COMPLETELY WIRELESS

Equipped with Bluetooth® V 5.3, Stream music from your tablet, phone, laptop or any other Bluetooth enabled device.

##### RECHARGEABLE BATTERY

The NSY-PB01 is equipped with a 11.1V 4000mAh rechargeable Lithium-ion batteries. Charge via included TYPE-C Charging cables.

##### WEATHERPROOF

IPX6 Waterproof Protection, the Bluetooth speaker is resistant to splash, rain, gentle spray, so it is suitable for shower room, swimming pool or beach. No worries about weather and outdoor condition, be the Rocker on your trip. It is an excellent waterproof speaker for outdoor sports.

##### TWS LINK

Link your two speakers together with ease using TWS (True Wireless Stereo) pairing. Listen to your music in true stereo as it was meant to be heard!

##### BIG SOUND, COMPACT PACKAGE

The NSY-PB01 features unbelievably huge sound from such a small footprint. Specially tuned in an outdoor setting, you won't believe your ears! .

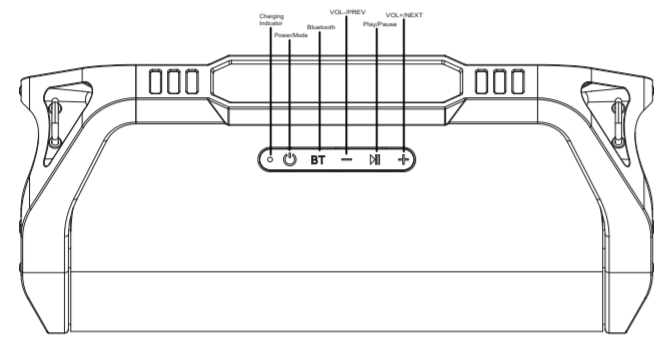
##### Function Description:

- TWS (True Wireless Stereo) is a Bluetooth technology that enables 2 speakers to pair together wirelessly while providing high quality left and right channel stereo sound.
- Bluetooth® is a wireless technology that enables 2 devices to transmit data to accomplish a variety of tasks, such as play music.

##### Steps to start up

Speakers must be fully charged prior to first use. Plug in the speaker with the included TYPE-C Charging Cable. The LED indication is flashing in green color when charging and keeping light on with green color when 100% charged.

#### Features



##### Charging indicator

- When charging, the green indicator light flashing, indicator light will be constant on after fully charged. Charging for external device, indicator light will be constant on .
- There will be voice prompt when battery is lower than 30%.

##### Power/Mode Button

- Press and hold to power ON/OFF (LED on/off).
- Short press to switch mode: BT → TF → AUX → USB → BT (with U disk insert.)

##### BT BT/TWS Button

- Short press to enter BT mode, the blue indicator light flash quickly (waiting for pairing). The blue indicator light will be constant on after BT connected successfully.
- Press and hold to connect/disconnect BT.
- Press twice to enter TWS mode, the blue indicator light flash slowly after TWS connected successfully. Press twice again to exit TWS mode.

##### Volume -/Pre Button

Short press to previous track, press and hold to decrease volume level.

##### Play/Pause Button

Short press to play/pause, press and hold 3 seconds to enter outdoor mode (outdoor EQ).

##### Volume +/Next Button

Short press to next track, press and hold to increase volume level.

#### Instructions For Use

##### Composite key \* + \*

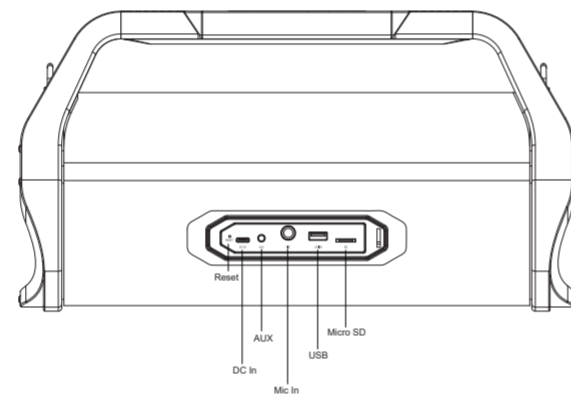
Press and hold \* + \* for 3 seconds to broadcast battery remaining. (without music playing mode.)

##### Bluetooth Operation

- Power on the speaker, the unit will be default into Bluetooth mode when first turned on.
- The blue indicator light flash quickly (BT waiting for pairing) Searching for pairing name "NSY" to connect with device. The blue indicator light will be constant on , and you will hear the voice prompt "Bluetooth Connected" after BT connected successfully.
- During the play, press Prev/Next button for previous or next song, keep pressing Prev/Next button can increase or reduce the volume.
- Press "Play/Pause" button then pause or play the music.
- When there is a phone call come in, music pause automatically, and music play automatically after phone call hang up.

##### TWS Operation

- Turn on two units and make sure without connecting other devices, double press "BT" to TWS mode, then the two units will be paired, the blue indicator light flash slowly and hear voice prompt after TWS connected successfully.
- Using your device to search the pairing name "NSY", music is ready to play for the two units together after paired.
- Double pressing "BT" on either of the speakers can disconnect the TWS.



#### Instructions For Use

##### Reset:

Press to power off the unit.

##### TYPE-C:

- Charging for the NSY battery.
- Charging for external device.

##### Aux In Operation

- Insert AUX-IN cable and connect to your device to play music .
- Press "Play/Pause" button to mute for the music.

##### MIC In:

Requires a 6.5mm wired Microphone (Not included). Microphone input with wired Microphone, it supports the function in BT/AUX/Micro SD/USB mode

##### USB/TF Operation

- Insert USB/TF, then it will play the music directly.
- Press "Play/Pause" button then pause or play the music .
- During the play, press Prev/Next for previous or next song, keep pressing Prev/Next can increase or reduce the volume.
- When inserted with USB/TF at same time, TF will be in priority to play.

\*\*\* Please don't take out USB/TF card while playing , otherwise , USB/TF card will be damaged \*\*\*

#### FCC Statement

1. This device complies with Part 15 of the FCC Rules. Operation is subject to the following two conditions:

- (1) This device may not cause harmful interference.
- (2) This device must accept any interference received, including interference that may cause undesired operation.

2. Changes or modifications not expressly approved by the party responsible for compliance could void the user's authority to operate the equipment. Note: This equipment has been tested and found to comply with the limits for a class B digital device, pursuant to Part 15 of the FCC Rules. These limits are designed to provide reasonable protection against harmful interference in a residential installation.

This equipment generates uses and can radiate radio frequency energy and, if not installed and used in accordance with the instructions, may cause harmful interference to radio communications. However, there is no guarantee that interference will not occur in a particular installation. If this equipment does cause harmful interference to radio or television reception, which can be determined by turning the equipment off and on, the user is encouraged to try to correct the interference by one or more of the following measures:

- Reorient or relocate the receiving antenna.
  - Increase the separation between the equipment and receiver.
  - Connect the equipment into an outlet on a circuit different from that to which the receiver is connected.
  - Consult the dealer or an experienced radio/TV technician for help.
- The device has been evaluated to meet general RF exposure requirement. The device can be used in portable exposure condition without restriction.