

puro[®]
S O U N D L A B S

PuroPro[™]

QUICK START

Introduction

1. The PuroPro headset is an over-ear design that utilizes durable and lightweight materials to ensure comfort. Utilizing Bluetooth 5.0, the PuroPro provides professional audio and crystal-clear microphone quality.
2. The PuroPro has a wireless range of 45 feet (15 meters) with no obstructions
3. Equipped with Qualcomm's chipset, the PuroPro has constant connection that is less likely to drop or disconnect.
4. A high-performance lithium-ion battery provides approx. 32 hours of playback with approx. 300 hours of standby on a full charge.
5. A dual microphone, hybrid Active Noise Cancelling setup, allows for multiple levels of ambient noise reduction at 32 and 22 decibels.

Product Application

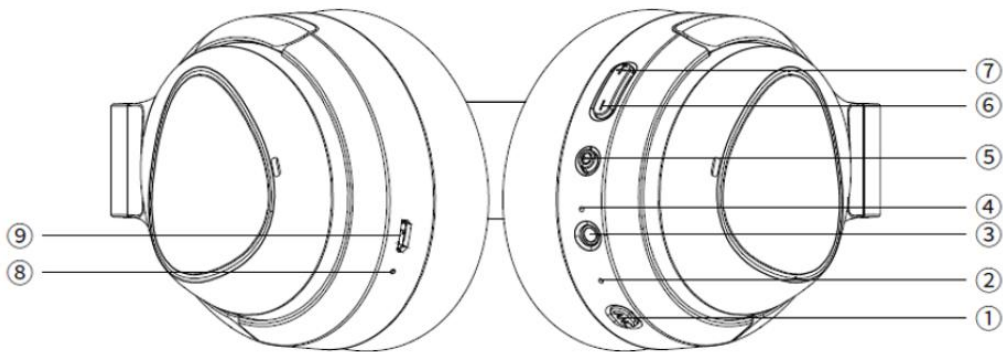
1. The PuroPro headset is compatible with all devices supporting Bluetooth, including but not limited to; mobile phone, tablets, PC and Mac computers.
2. For any device that does not have Bluetooth, a provided audio cable allows for audio connection.

Product Application:

1. Feature Summary
 - a. Comfortable and lightweight build with adjustable and padded headband
 - b. Padded and breathable earcups rotate in all directions to ensure the best fit, no matter the user
 - c. Bluetooth 5.0 provides a stable wireless connection that is less likely to disconnect.
 - d. Over 40 feet of wireless connection with BT 5.0
 - e. An in-line microphone for crystal-clear phone calls
 - f. In-line controls allow for answering and disconnecting phone calls, volume control, and pause/play of audio
 - g. 32 hours of battery life on a single charge
 - h. Dual microphone, Hybrid Active Noise Cancellation, with 2 levels of noise reduction; 32 and 22 decibels
 - i. Aux port and included audio cable for wired use when battery is dead or with a non-Bluetooth device
 - j. Volume limitation at 85/95 dB

Getting started:

1. Before using the PuroPro, ensure the battery is fully charged.
Using the Pro without an initial full charge can potentially reduce the battery life
2. Turn the PuroPro on by holding the power button, a LED light on the headset will be blinking red and blue to indicate the Pro is in search mode.
3. Open the Bluetooth settings on your device and look for “PuroPro” in the available device list.
5. Select the Pro on your device, you will hear a voice prompt in the headphones indicating they have been connected.
6. To connect to another device once the headset is connected, turn the Pro's off and turn back on while continuously holding the power button. The headphones will return to search mode, indicated by a voice prompt and flashing red and blue LED.



1. ANC ON/OFF
2. Microphone
3. Aux-in socket
4. Indicator light for power
5. Power on/off

6. Volume control down
7. Volume control up
8. Indicator light for charging
9. USB socket for Power charge

Functions Operation

Feature	Device Status	Operation	Details
Power on	Power off	Press and hold the power button for 3s.	Under power off status, press and hold the power button for 3 seconds, then the headphone will turn on, and with prompt "POWER ON" tone. Blue LED light will flash for 2S and then flash in each 3s.
Power off	Power on	Press and hold the power button for 3s.	Under power on status, press and hold the power button for 3 seconds, then the headphone will turn off, and with prompt "POWER OFF" tone. The red LED will light on for 2s then off.

Pairing & Connection - Pairing name : PuroPro

Feature	Device Status	Operation	Details
Enter in pair	Power off	Press and hold the power button for 5s.	Under power off status, press and hold the power button for 5s, then the headphone will enter pairing mode, it will prompt "PAIRING" tone, the LED Red and Blue blinking alternation.
Pairing Successful	Pairing	Release the power button	It will prompt "CONNECTED" tone; blue LED light will flash once in 5s.
Clear matching list	No connection	Long press the "power" button and "+" button for 5s when it is in disconnection status.	Red and blue LED light on.
Disconnected	Power on	N/A	When the Bluetooth is disconnected, it will prompt "DISCONNECTED" tone

Calling

Feature	Device Status	Operation	Details
Incoming tone	Incoming call	Mobile phone tone happens when incoming call	
Answer calling	Incoming call	Short press the power button	Red LED light flash's interval 200ms
Reject the calling	Incoming call	Press and hold the power button for 2s, release the button when the phone rings.	Blue LED light flash's once in 5s
End calling	Calling	Short press the power button	Blue LED light flashes once in 5s after ending the call.
Re-dial for end phone number.	Standby	Short press the power button for 2 times.	Red LED light flash interval 200mS

Music Play

Feature	Device Status	Operation	Details
Volume Up	Music Play	Short press the "+" button	When maximum volume, there is a beep sound and blue LED light will flash once in 5s.
Volume Down	Music Play	Short press the "-" button	When minimum volume, there is a beep sound and blue LED light will flash once in 5s
Pause	Music Play	Short press power button	Blue LED light will flash once in 5s.
Play	Music Pause	Short press power button	Blue LED light will flash once in 5s.
Previous Track	Music Play	Long press "-" button	Blue LED light will flash once in 5s
Next Track	Music Play	Long press "+" button	Blue LED light will flash once in 5s

Switch 85dB/95dB	Music Play	Long press "power" button and "volume +" button	There is "85 decibel max/95 decibel max" volume tone, (Volume factory preset 85dB, turn it on for the second time and keep the same volume as before.)
Siri assistant	Power on	Long press power button for 2s	The prompt "Du" tone will be heard

Adjustable ANC Function

Feature	Device Status	Operation	Details
ANC one	ANC off	Under power on status, short press "ANC" button, enter into deep noise cancellation.	It will prompt "ANC ONE" blue LED light flash.
ANC two	ANC one	Under ANC One status, short press "ANC" button, enter into general noise cancellation.	It will prompt "ANC TWO" blue LED light flash.
ANC off	ANC two	Under ANC two status, short press "ANC" button, power off ANC.	It will prompt "ANC OFF" blue LED light off.
Remark	1) ANC function only can be used when the headphone power on. Please make sure turn on it first. 2) Plug in the 3.5mm audio cable to headphone, Bluetooth disconnected automatically.		

Product Specifications

Speaker	Diameter	4030.3mm
	Frequency Response	20Hz-20KHz
	Impedance	32ff315%
	Sensitivity/S.P.L.	120 3 3dB (at 1KHz,IEC318 test)
	Rated Power	10mW
Microphone	Microphone Unit	4015
	Directivity	omnidirectional

	S.P.L	-42dB
	Impedance	0.96Kff
	Frequency Response	20Hz-20KHz
	Operating Voltage	2V
Battery	Type	Chargeable Li-ion Battery
	Capacity	750mAh
	Work time	32hours (Bluetooth on)
		28 hours (Bluetooth and ANC on)
	Charge time	2 hours
	Charger current	0.9A (The output current of the power adapter needs $\geq 0.9A$ to ensure the charging time)
	Charging Mode	Micro USB 5V

Safety Information

1. Continued exposure to loud noise (more than 85 decibels) (85 db) may cause gradual but permanent damage to hearing.
2. Do not use the headphones with products that can achieve levels above the “comfortable” guideline.
3. Do not use the headphones any time it would be dangerous to not be aware of noises around you.
4. If using while on an airplane, please follow the instructions of the crew for permitted use of a Bluetooth product.
5. Do not use or store the headphones in a wet environment. If the headphones are submerged or become wet, do not use.

FCC Statement

This equipment has been tested and found to comply with the limits for a Class B digital device, pursuant to part 15 of the FCC Rules. These limits are designed to provide reasonable protection against harmful interference in a residential installation. This equipment generates, uses and can radiate radio frequency energy and, if not installed and used in accordance with the instructions, may cause harmful interference to radio communications. However, there is no guarantee that interference will not occur in a particular installation. If this equipment does cause harmful interference to radio or television reception, which can be determined by turning the equipment off and on, the user is encouraged to try to correct the interference by one or more of the following measures:

- Reorient or relocate the receiving antenna.
- Increase the separation between the equipment and receiver.
- Connect the equipment into an outlet on a circuit different from that to which the receiver is connected.
- Consult the dealer or an experienced radio/TV technician for help.

Caution: Any changes or modifications to this device not explicitly approved by manufacturer could void your authority to operate this equipment.

This device complies with part 15 of the FCC Rules. Operation is subject to the following two conditions: (1) This device may not cause harmful interference, and (2) this device must accept any interference received, including interference that may cause undesired operation.

ISED Statement

- English: This device complies with Industry Canada license - exempt RSS standard(s). Operation is subject to the following two conditions: (1) This device may not cause interference, and (2) This device must accept any interference, including interference that may cause undesired operation of the device.

The digital apparatus complies with Canadian CAN ICES - 3 (B)/NMB - 3(B).

- French: Le présent appareil est conforme aux CNR d'Industrie Canada applicables aux appareils radio exempts de licence. L'exploitation est autorisée aux deux conditions suivantes: (1) l'appareil ne doit pas produire de brouillage, et (2) l'utilisateur de l'appareil doit accepter tout brouillage radioélectrique subi, même si le brouillage est susceptible d'en compromettre le fonctionnement.

l'appareil numérique du ciem conforme canadien peut - 3 (b) / nmb - 3 (b).

This device meets the exemption from the routine evaluation limits in section 2.5 of RSS 102 and compliance with RSS 102 RF exposure, users can obtain Canadian information on RF exposure and compliance.

cet appareil est conforme à l'exemption des limites d'évaluation courante dans la section 2.5 du cnr - 102 et conformité avec rss 102 de l'exposition aux rf, les utilisateurs peuvent obtenir des données canadiennes sur l'exposition aux champs rf et la conformité.

This device meets the exemption from the routine evaluation limits in section 2.5 of RSS 102 and compliance with RSS 102 RF exposure, users can obtain Canadian information on RF exposure and compliance.

cet appareil est conforme à l'exemption des limites d'évaluation courante dans la section 2.5 du cnr - 102 et conformité avec rss 102 de l'exposition aux rf, les utilisateurs peuvent obtenir des données canadiennes sur l'exposition aux champs rf et la conformité.

This equipment complies with Canada radiation exposure limits set forth for an uncontrolled environment. This equipment should be installed and operated with minimum distance 0mm between the radiator & your body.

Cet équipement est conforme Canada limites d'exposition aux radiations dans un environnement non contrôlé. Cet équipement doit être installé et utilisé à distance minimum de 0mm entre le radiateur et votre corps.