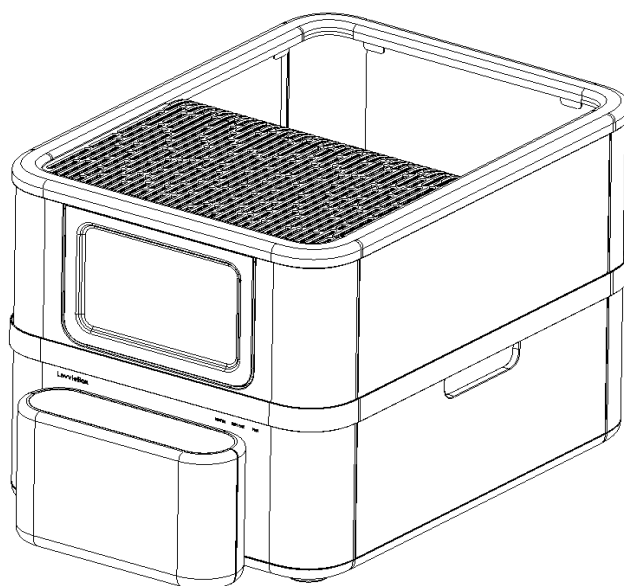




User Manual

LavvieBox MANUAL

- Instruction manual
- Contains important information for use.
- Please read the manual carefully before use and use it correctly.
- Please keep it so that users can check it at any time.
- Please keep the instruction manual carefully.
- This product is for home use and is not intended for business use.
- This product does not guarantee the safety and health of pets.
- This is a product that needs cleaning and maintenance.
- For the health of your cat, you should change the litter bag, air filter, and deodorant according to the frequency of use, just as you change the litter periodically.
- This is an IOT product that requires WIFI.
- This product is an IOT general toilet, and it is possible to check and manage toilet use information transmitted through WIFI in a dedicated application, so WIFI and dedicated application installation are necessary.

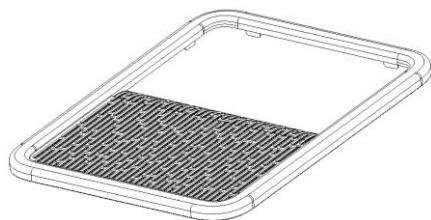


We ask for your understanding in advance as the appearance and operation method may change without notice due to specification changes.

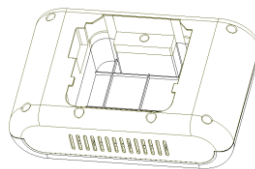
Index

1. Product composition
2. Precautions
3. Product installation
4. Using LavvieBox
 1. Install the app
 2. Action: LED, FAN
5. Management method
 1. Excretion bed (envelope)
 2. filter, deodorant
 3. cleaning and washing
6. Maintenance: life cycle
7. problem solving book
8. guarantee
9. Summary manual (attached sheet)

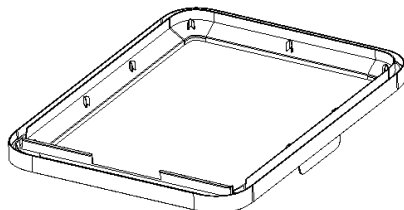
Product composition



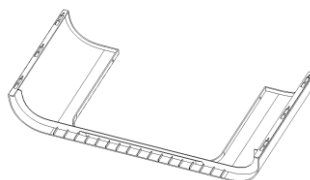
Top Entry



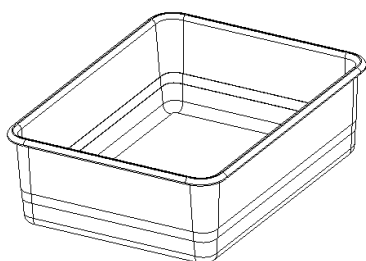
Stepper



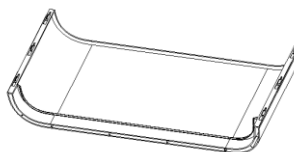
Mid Frame



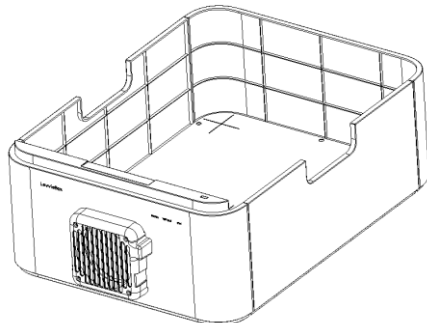
Upper front wall



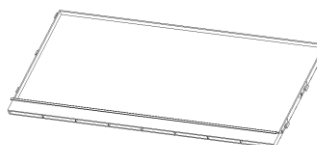
Litter pan



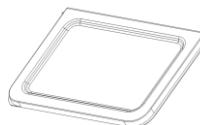
Upper back wall



Main body



Upper side walls



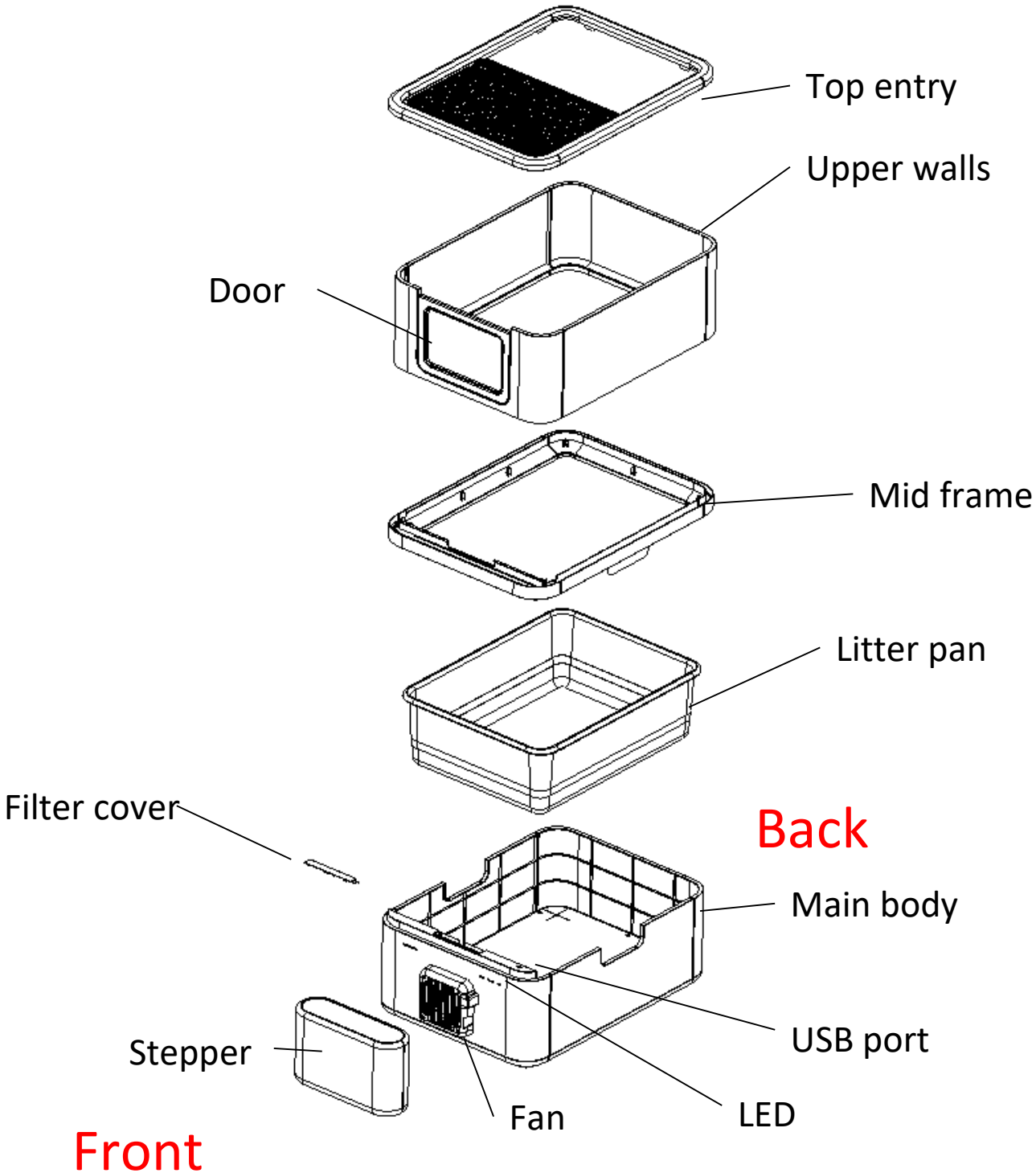
Door



- 1 Litter bag
- 1 Air filter
- 1 Gel deodorant
- 1 Power adapter
- Manual

- Please keep the packaging material. Necessary for repairs or returns.
 - Damaged during shipping: Please contact the courier company
 - Initial defect: Contact the place of purchase
 - Returns and Refunds: Contact the place of purchase

Planar figure



Basic Precautions

Do not use for purposes other than the manual: cause of malfunction or fire

Do not place in an environment that is not exposed to high temperature or direct sunlight: cause of failure or deformation

For indoor use only.

Do not pour hot water

Do not place where children can handle

Never disassemble, repair, or modify by yourself

Do not subject to strong shocks or vibrations such as dropping, stepping on, or throwing.

Do not damage the power adapter's wires and plugs. There is a risk of electric shock.

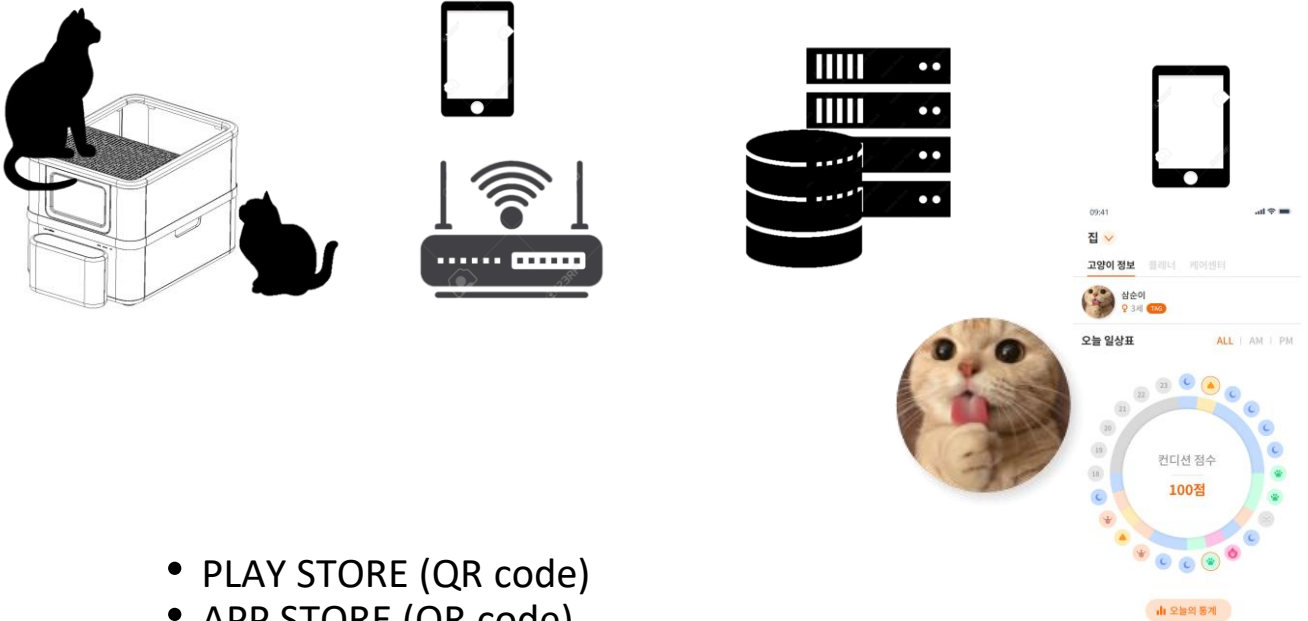
- Do not damage the AC adapter cord. Do not process, forcefully bend, pull, twist, or bundle. Do not lift or pinch heavy objects. (The cord is damaged, causing fire and electric shock)
- Use in a well-ventilated state and do not pat or wrap with a cloth or duvet. (cause of fire, electric shock, malfunction)
- Do not use a damaged AC adapter cord or an outlet with a loose plug. (cause of fire, electric shock, short circuit)
- Do not remove and plug with wet hands. (Cause of electric shock and injury)
- Do not use with octopus foot wiring or cord tied together (cause of fire).

- **Product Features**

- This product installs the app as an IoT device and uses it in a WIFI registered environment.
- Product features may change depending on how you use the app.
- After installing the app, please register as a member and register a cat.
- Function
- Registration: Install the app, use the product after registration
- Settings: Fan Control, USB, Filter
- Because the weight sensor catches the baseline, it recognizes the use of the cat's toilet after litter grinding or about 10 minutes after disassembly and assembly.
- Precautions for use
- watch out for water
- Assemble the parts(filter,USB cap, Litter pan, upper walls)
- Weight Sensor Caution: Do not put the materials over 50kg on the product.

Product installation

- IoT products
 - As usage information goes up in the following process, app installation and WIFI registration are absolutely necessary.

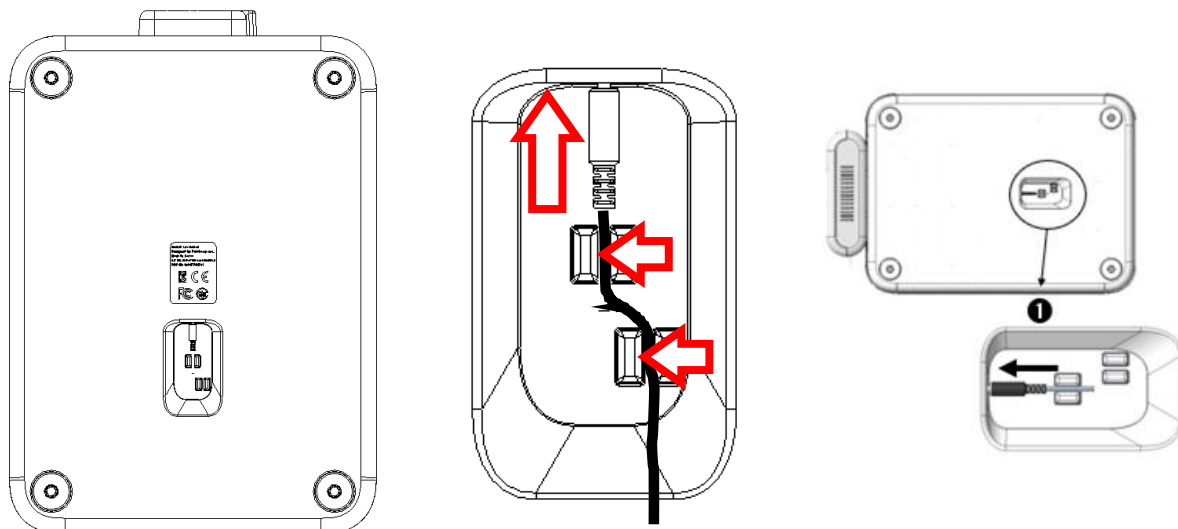


- PLAY STORE (QR code)
- APP STORE (QR code)
- First install the app.
- Sign Up
- Cat registration
- Before using the product, prepare it in the following order.
 - Power connector connection
 - filter assembly
 - Deodorant attachment and stepper assembly
 - Litter bag installation and filling litter
 - upper wall assembly

Product installation

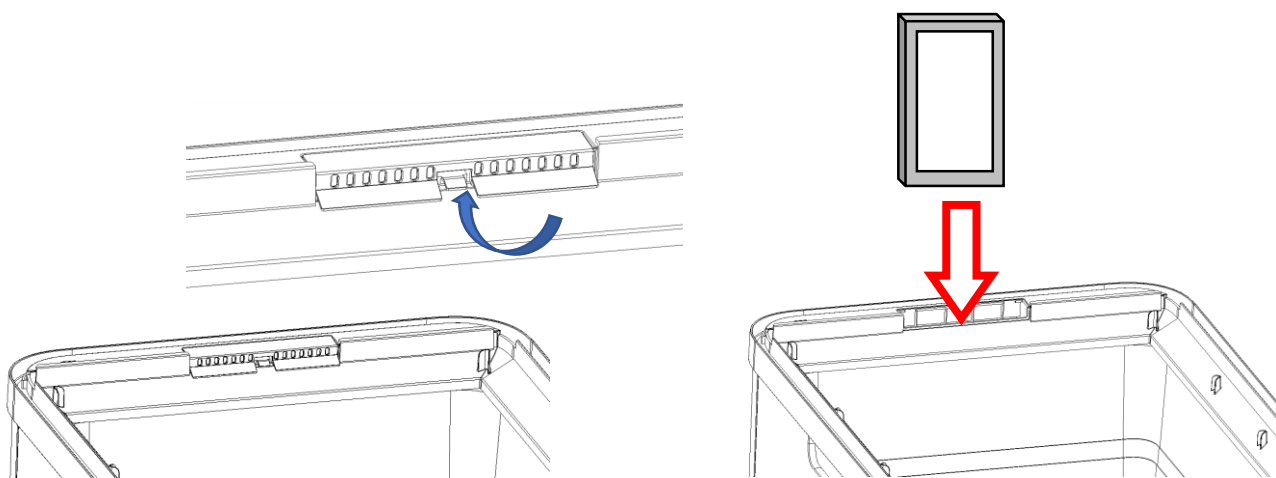
- Power connection

- 1. Since the power is on the bottom of the product, first connect the product and the power connector.
- 2. Insert the power cord into the groove.



- Filter assembly

- Remove the cover on both sides of the filter
- Open the filter cover on the front of the laby box and insert the filter.
- Then close the filter cover.
- The filter life is about 1 month.

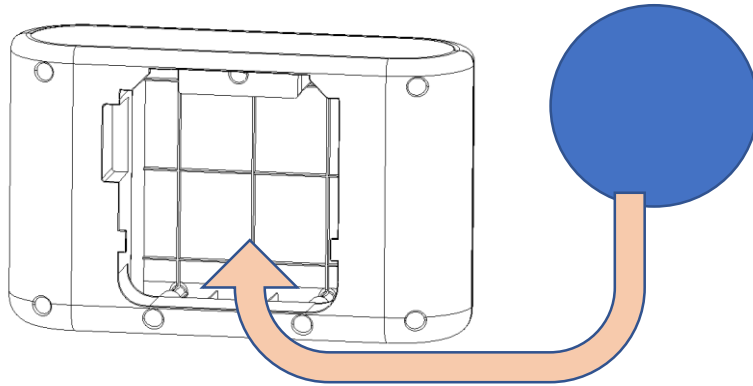


Product installation

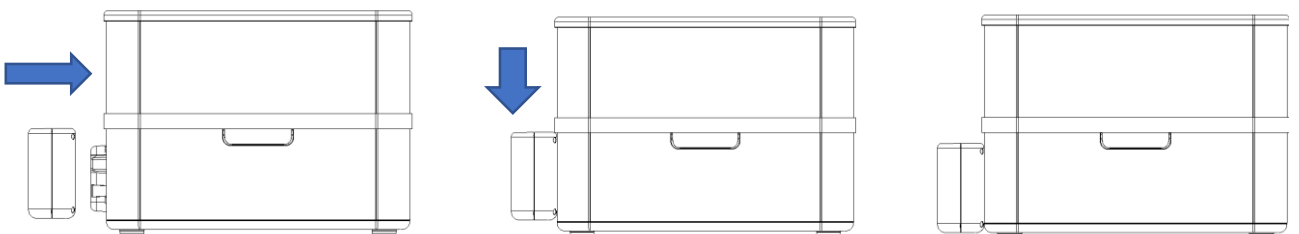
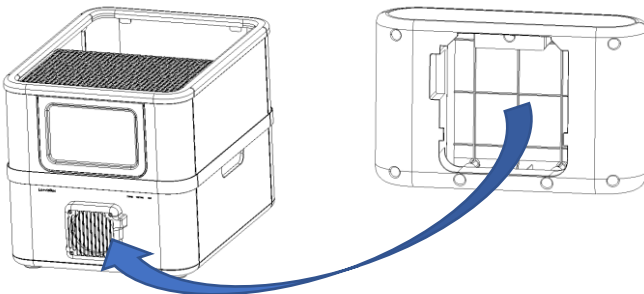
- Deodorant and stepper assembly
 - Deodorant Assembly
 - Open the lid and remove the foil.
 - Close the lid and attach the double-sided tape.
 - attached to the inside of the stepper
 - The period of use is about 1 month.

top

bottom



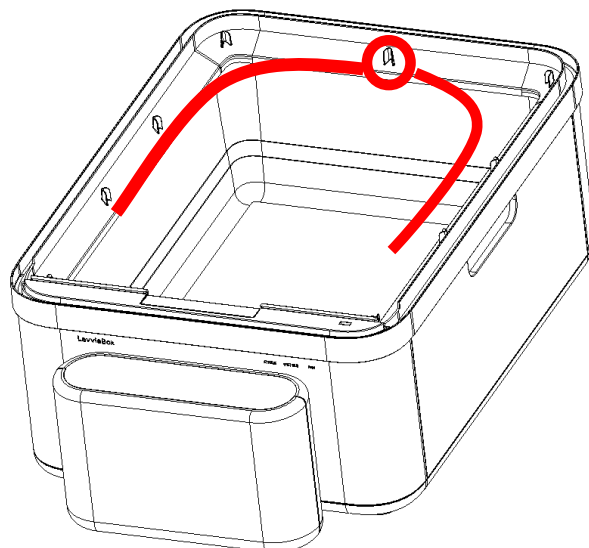
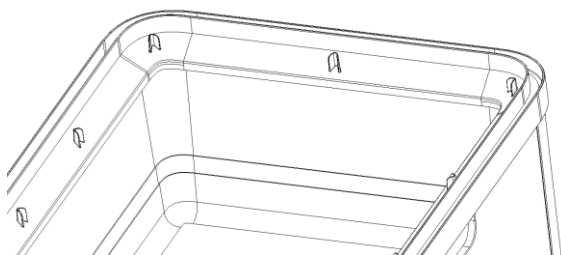
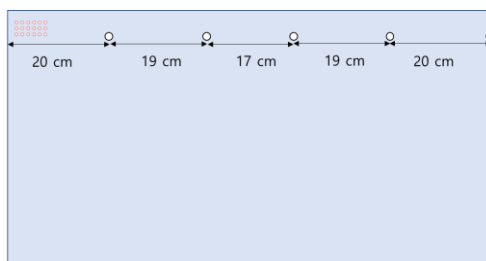
- Stepper assembly
 - The stepper has a hole at the bottom.
 - Check the top and bottom of the stepper and assemble.



Product installation

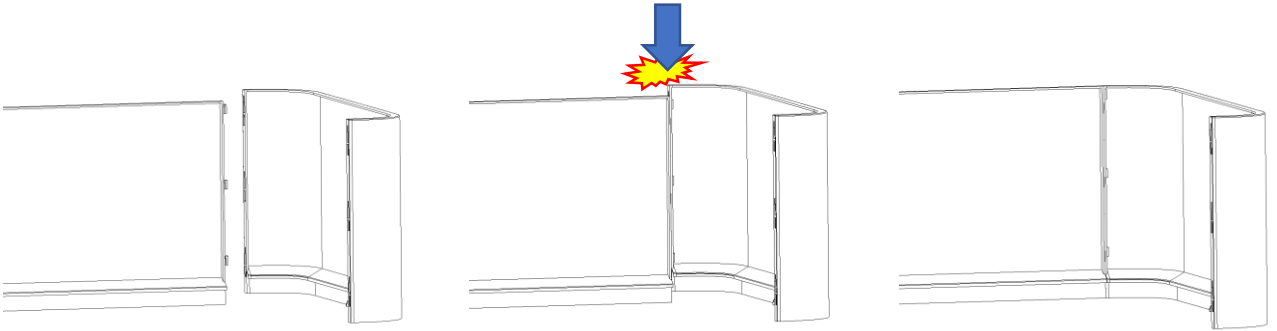
- Litter bag

- Attach the litter bag with double-sided tape as shown below.
- Attach double-sided tape on both sides
- With the excretion bed and center frame assembled, insert the hole of the litter bag into the protrusion of the frame and fix it.
- The side with the small hole is the front of the product.
- Assemble from the center hole in the back.
- Due to the nature of the envelope product, the hole position may be misaligned. It is not defective, so please use it accordingly.

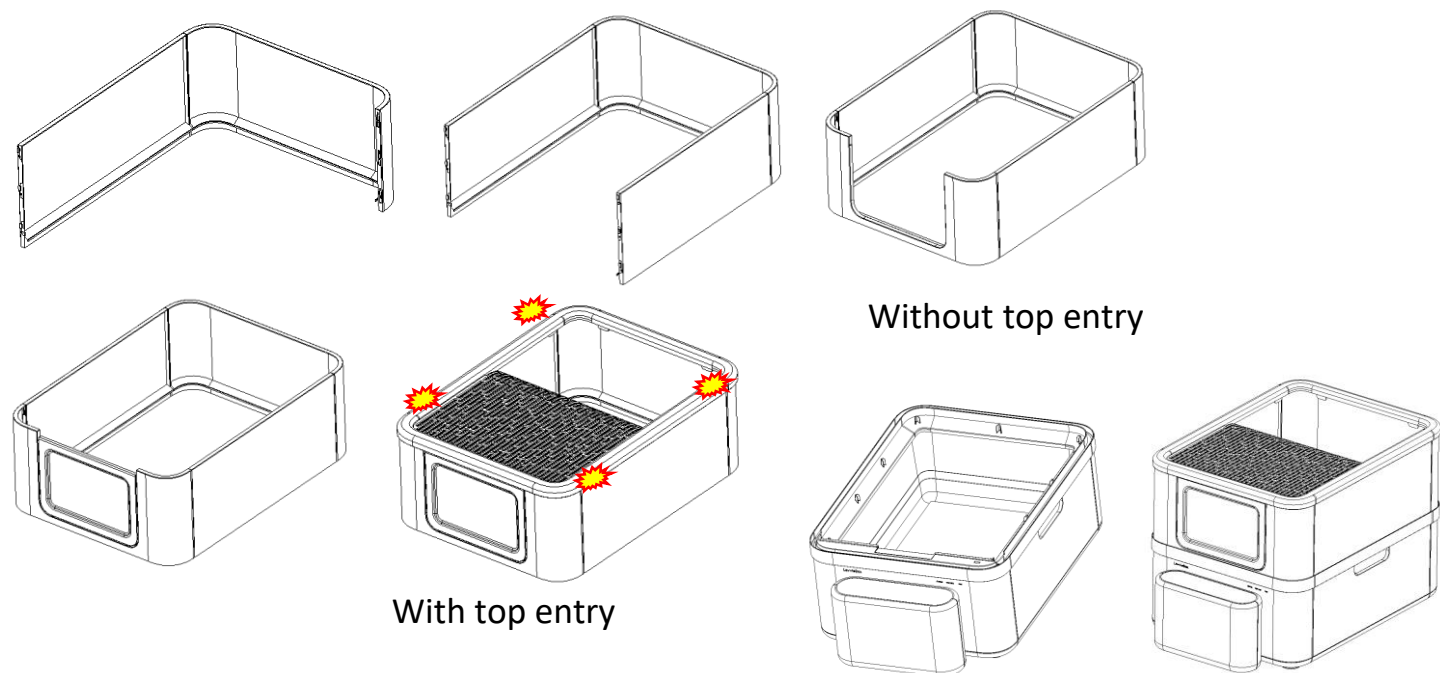


Product installation

- Assemble the upper wall.
 - Align the ends of the parts and slide them in.
 - When you insert three places, lightly tap the assembly part to assemble it.
 - Bare hands are dangerous, use tools
 - Assemble all four parts of the upper wall.
 - When using the top cover, stably assemble it to the upper wall by hitting four places.
 - When using a door, assemble it by inserting it into the upper front wall before assembling the top cover.



- Upper wall assembly sequence



Without top entry

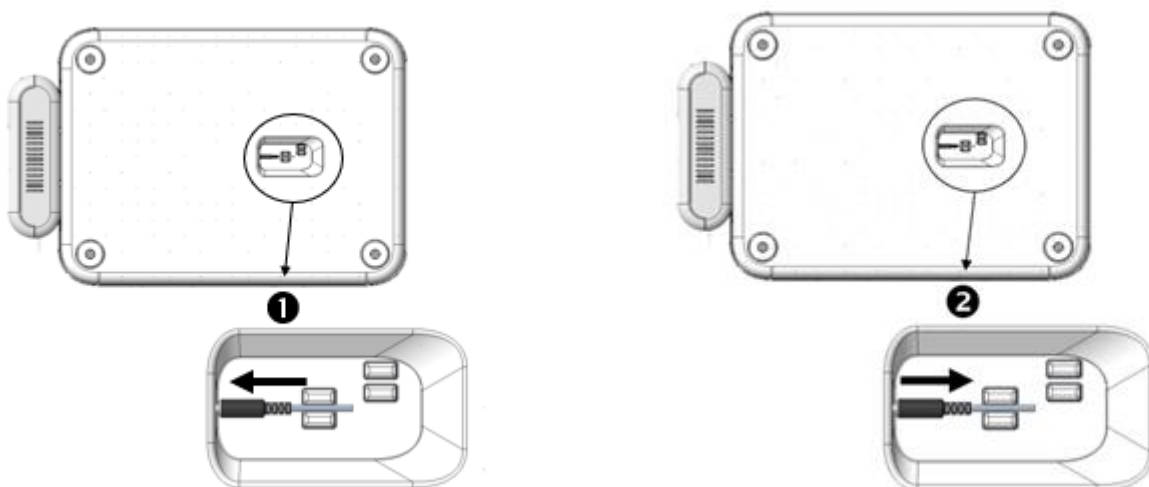
With top entry

Put it on top of the product.

Product installation

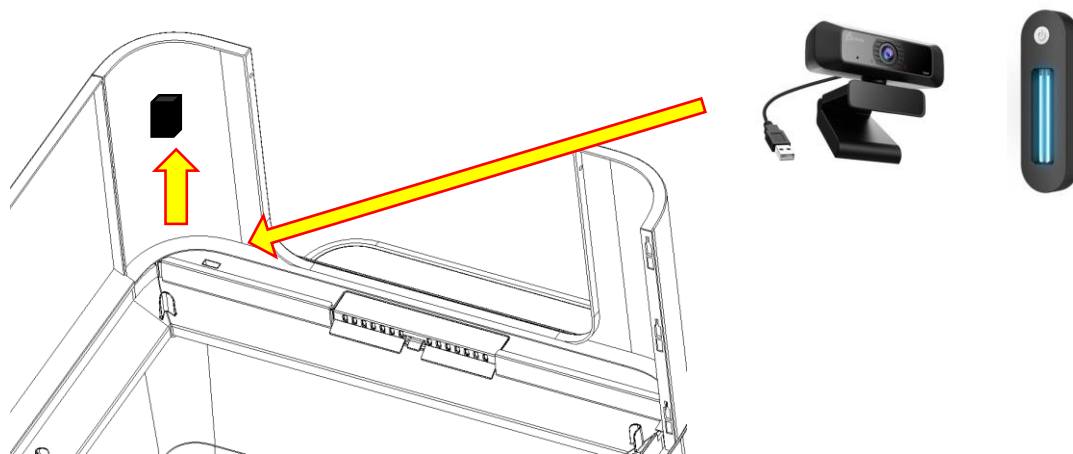
- Power connection

- Plug the first adapter connected into an outlet.
- Refer to the figure below for power connection and disconnection.



- Using USB port

- LavvieBox has a USB port installed inside the toilet.
- Connect and use electronic devices as needed.
- Remove the cap and connect a USB device.
- When removing the cap, use a tool to avoid injuring your fingers
- Be sure to put the cap on when not in use. There is a risk of electric accident or fire.

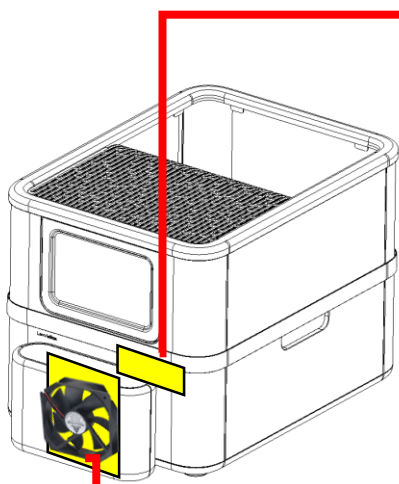


Start LavvieBox life

- Reason for installing the app
 - LavvieBox is an IOT product, and in order to check the cat's toilet usage information or use the product, it is necessary to install the dedicated app, the PurrSong app.
- App installation
- Sign Up
- Cat registration
- Connecting Power
- Product registration
- assembling
- Assemble the filter and stepper
- put litter in the LavvieBox
- Litterd amount setting

Start LuvvieBox life

- Fuctions
- LED Description



STATUS

WIFI BLE

FAN

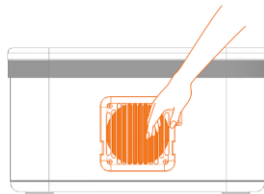
	STATUS	WIFI BLE	FAN
OFF	READY	POWER OFF	FAN OFF
BLUE	WEIGHT SENSING	ON: WIFI CONNECTED BLINK: TRYING TO CONNECT WIFI	NORMAL FAN OPERATION
GREEN	ALARM OF WHOLE LITTER CHANGE	ON: BLE CONNECTED BLINK: TRYING TO CONNECT BLE	LOW NOISE FAN OPERATION
RED	DISASSEMBLED		

- Air Purifier (FAN)
 - Configurable via app
 - Fan speed control
 - Operation hour
 - operation mode



공기 청정기 파워 테스트

라비박스 팬에 손을 대어 바람 세기 또는 소음을 확인하세요. 추후 재설정이 가능합니다.



다음



공기 청정기 동작시간

공기 청정기 동작 시간을 선택해주세요. 추후 재설정이 가능합니다.

5m

5분

15m

15분

30m

30분

1h

1시간



다음



공기 청정기 모드 선택

공기 청정기 모드를 선택해주세요. 추후 재설정이 가능합니다.

캣 인 모드
고양이가 화장실을 들어가면 작동합니다.

캣 아웃 모드
고양이가 화장실을 나온 5초 뒤 작동합니다.

모드 끄
공기 청정기를 사용하지 않습니다.



다음

Start LavvieBox life

- Assembled state
- The upper wall must be assembled and used
- Litter weight accuracy varies depending on whether or not a top entry is used.



탑 커버 사용 여부 확인

정확한 모래 사용량을 측정을 위해 탑 커버 사용 여부를 선택해주세요. 추후 재설정이 가능합니다.



다음

Management

- No management may result in malfunction.
- It is possible to set the management cycle through the app

MARKING ACCORDING TO THE ELECTRICAL APPLIANCES AND CONSUMER PRODUCTS SAFETY CONTROL ACT

Certification Number: KC ID: R-R-PSw LavvieBox1

: FCC ID: 2AWFPBOX1

: IC : 26107-BOX1

Contains FCC ID : P53-EMW3080

- Product Name: IoT cat litter box
- Model Name: LavvieBox
- Input: 100 ~ 220V, 60Hz
- Adapter Output: 12V 5A
- USB Output : 5V 1A
- Temperature setting for the use: 10°C ~ 35°C
- Place for the use: For residential use (indoor)
- Manufacturer : PurrSong, Inc.
- Address: D2, 179, Daehak-ro, Yuseong-gu, Daejeon, South Korea
- Country of Origin: Republic of Korea
- Date of manufacture: Indicated separately

· RF SPEC.

1. Bluetooth

- Frequency : 2 402 ~ 2 480 MHz
- Version : Bluetooth Low Energy 4.1
- Channel : 0~39 Channel
- Power
2.5 dBm ± 1 dB

- Maximum Bandwidth : 2MHz

- Technology : FHSS


2. Wi-Fi

- Protocol : IEEE 802. 11b/g/n_HT20/n_HT40 Supported
- Frequency : 2 412 ~ 2 462 MHz (802.11b/g/n_HT20)
2 422 ~ 2 452 MHz (802.11n_HT40)
- Technology : DSSS (802.11b),
OFDM (802.11g/n_HT20/n_HT40)
- Power : 17 dBm ± 1 dB

· Designed by PurrSong, Inc.

 R-R-PSw-
LavvieBox1

   XXX-XXXXXX
 201-200348

 Tested To Comply
With FCC Standards
FOR HOME OR OFFICE USE

FCC COMPLIANCE STATEMENT

This device complies with part 15 of the FCC Rules.

Operation is subject to the following two conditions : (1) This device may not cause harmful interference, and (2) This device must accept any interference received, including interference that may cause undesired operation.

· CAUTION: Changes or modifications not expressly approved by the party responsible for compliance could void the user's authority to operate the equipment

This equipment has been tested and found to comply with the limits for a Class B digital device, pursuant to part 15 of the FCC Rules. These limits are designed to provide reasonable protection against harmful interference in a residential installation. This equipment generates, uses and can radiate radio frequency energy and, if not installed and used in accordance with the instructions, may cause harmful interference to radio communications. However, there is no guarantee that interference will not occur in a particular installation. If this equipment does cause harmful interference to radio or television reception, which can be determined by turning the equipment off and on, the user is encouraged to try to correct the interference by one or more of the following measures:

- Reorient or relocate the receiving antenna.
- Increase the separation between the equipment and receiver.
- Connect the equipment into an outlet on a circuit different from that to which the receiver is connected.
- Consult the dealer or an experienced radio/TV technician for help.

· RF Exposure Statement

A minimum separation distance of 20 cm must be maintained between the antenna and the person for this appliance to satisfy the RF exposure requirements

· Industry Canada Statement

This device complies with Industry Canada license-exempt RSS standard(s). Operation is subject to the following two conditions: (1) this device may not cause interference, and (2) this device must accept any interference, including interference that may cause undesired operation of the device.

· Énoncé d'Industrie Canada (IC)

Le présent appareil est conforme aux CNR d'Industrie Canada applicables aux appareils radio exempts de licence. L'exploitation est autorisée aux deux conditions suivantes : (1) l'appareil ne doit pas produire de brouillage, et (2) l'utilisateur de l'appareil doit accepter tout brouillage radioélectrique subi, même si le brouillage est susceptible d'en compromettre le fonctionnement.

· Tout changement ou modification non expressément approuvé par la partie chargée de la mise en conformité peut annuler le droit de l'utilisateur à utiliser l'équipement.

· Déclaration d'exposition aux RF

Une distance de séparation minimale de 20 cm doit être maintenue entre l'antenne et la personne pour que cet appareil satisfasse aux exigences d'exposition aux RF