

7. Product Specifications

DC Power:	Microphone – 2 x AA 1.5V, Receiver – 1 x AA 1.5V (Alkaline)
Transmission Power:	10 mW Max
RF Frequency	174.0619-215.2186 MHz FM
Audio frequency response:	60 Hz – 13 kHz
Operating range:	5 metres max with clear line of sight

8. Product disposal instructions

The symbol shown here and on the product means that the product is classed as Electrical or Electronic Equipment and should not be disposed with other household or commercial waste at the end of its working life. The Waste Electrical and Electronic Equipment (WEEE) Directive (2002/96/EC) has been put in place to encourage the recycling of products using best available recovery and recycling techniques to minimise the impact on the environment, treat any hazardous substances and avoid the increase of landfill.

When you have no further use for this product, please dispose of it using your local authority's recycling processes. For more information, please contact your local authority or the retailer where the product was purchased.



Wireless Microphone



User's Guide

Please read this user's guide first before operating the microphone and save it for future reference.

Congratulations on your purchase of this wireless microphone. To get the most from your purchase, please take a few minutes to read these instructions.

1. Safety instructions

- This product should not be exposed to water by dripping or splashing and no objects filled with liquids, such as vases, should be placed near to the product. Do not place the unit on a wet surface.
- Do not expose the product to temperatures above 35°C and keep it out of direct sunlight.
- This product has no user-serviceable parts. Do not attempt to repair this product yourself. Only qualified service personnel should perform servicing.
- Do not subject the product to harsh impacts. Do not drop the product as this may result in damage.
- Do not tap on the microphone as that could cause damage to the microphone itself or any connected equipment.
- This product is designed for indoor use only.

2. Preparation for use

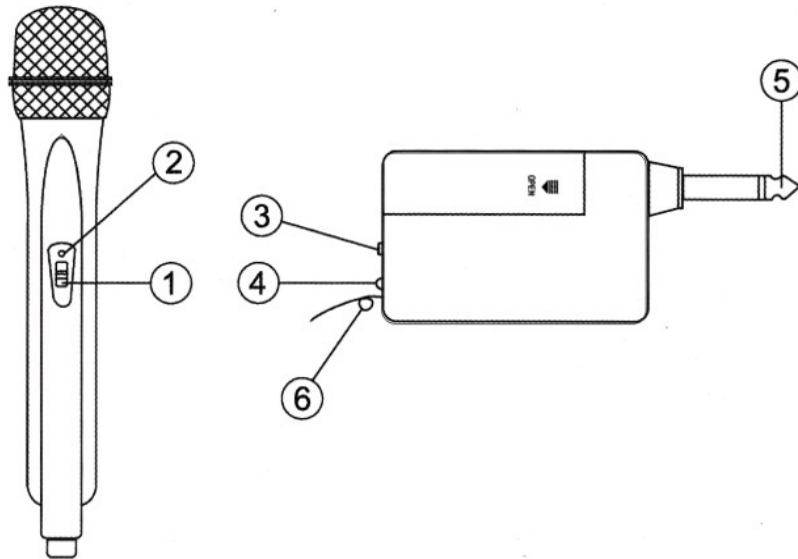
Unpack the microphone carefully. Before setting up the unit, verify that the following accessories are present:

- 1 x Wireless Microphone
- 1 x Wireless Receiver with 6.35mm plug

3. Power source

Please insert alkaline batteries (not supplied) into both the wireless microphone and receiver before use. Microphone: 2 x AA, Receiver: 1 x AA.

4. Location of controls and indicators



1 – Microphone On/Off/Mute Switch Use to switch the microphone On/Off. Use to mute the microphone during use.	4 – Receiver Power LED Lights red when receiver is switched on
2 – Microphone Power LED Lights red when microphone is on or muted.	5 – Receiver 6.35mm Plug Plug the receiver into the Karaoke microphone input using the 6.35mm plug
3 – Receiver On/Off Switch Use to switch the receiver on or off.	6 – Receiver Antenna Unravel fully for best reception.

5. Operation

Receiver Connection

Move the power switch to the 'On' position and plug the 6.35mm plug into the microphone input of the karaoke player.

Wireless Microphone

Move the power switch to the 'On' position and sing along. To take a break between performances the microphone can be switched to the 'Mute' position but that will still use some battery power.

Switching Off

Make sure both power switches on the receiver and microphone are set to the 'Off' position in order to save battery power. Do not leave the microphone switch in the 'Mute' position as that will waste battery power. If the product is not to be used for an extended period, then remove batteries from both parts in order to avoid damage by battery leakage.

6. Troubleshooting and Support

If a problem occurs please check the following table before returning the unit. If the problem cannot be solved with the following information then please return the item to the store where it was purchased from.

Problem	Remedy
Audio Problems No sound from karaoke.	- Make sure the power switches of both microphone and receiver are set to the 'On' position. - Make sure the karaoke is switched on and the receiver is plugged into the karaoke. - Make sure the microphone switch is not set to 'Mute'. - Make sure the karaoke volume is not turned down. - Make sure the karaoke microphone volume is not turned down.
Slight buzzing or humming sounds heard.	- This can be caused by electrical interference from fluorescent lights, dimmer switches, mains power wiring or other electrical equipment. If this happens then please move to a different location until the interference sound is reduced.
Power Issues LED on microphone or receiver does not light.	- Make sure the power switches of both microphone and receiver are set to the 'On' position. - Check the batteries are not exhausted and replace if needed.

FCC warning statement

This device complies with Part 15 of the FCC rules.

Operation is subject to the following two conditions:

- 1) this device may not cause harmful interference, and
- 2) this device must accept any interference received, including interference that may cause undesired operation.

Changes or modifications not expressly approved by the party responsible for compliance could void the user's authority to operate the equipment.

The device has been evaluated to meet general RF exposure requirement. The device can be used in portable exposure condition without restriction.

This device operates on a no-protection, no-interference basis. Should the user seek to obtain protection from other radio services operating in the same TV bands, a radio license is required. For further details, consult Innovation, Science and Economic Development Canada's document Client Procedures Circular CPC-2-1-28, Voluntary Licensing of License-Exempt Low-Power Radio Apparatus in the TV Bands.