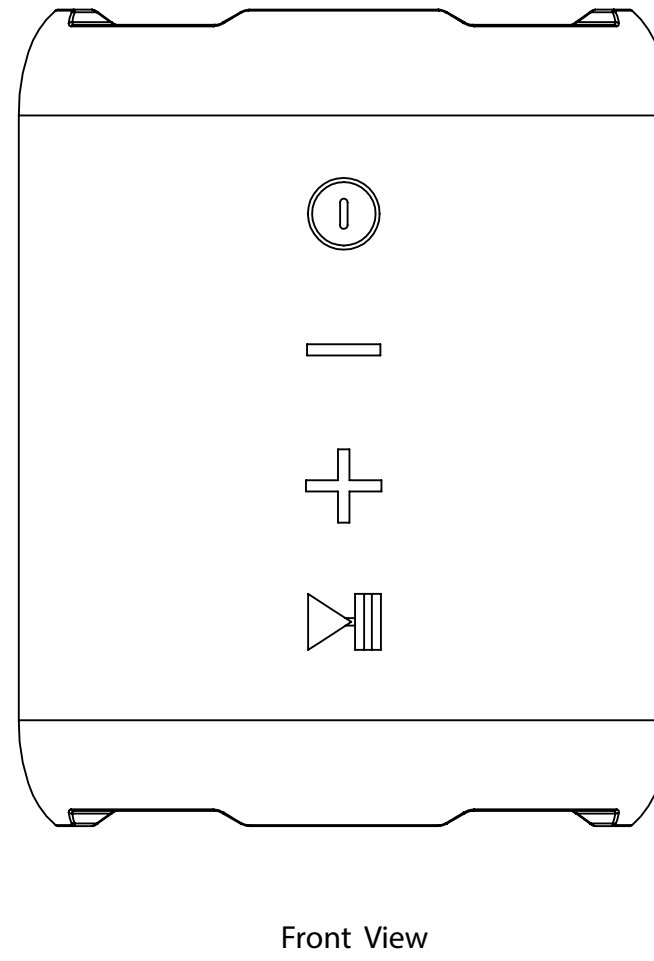
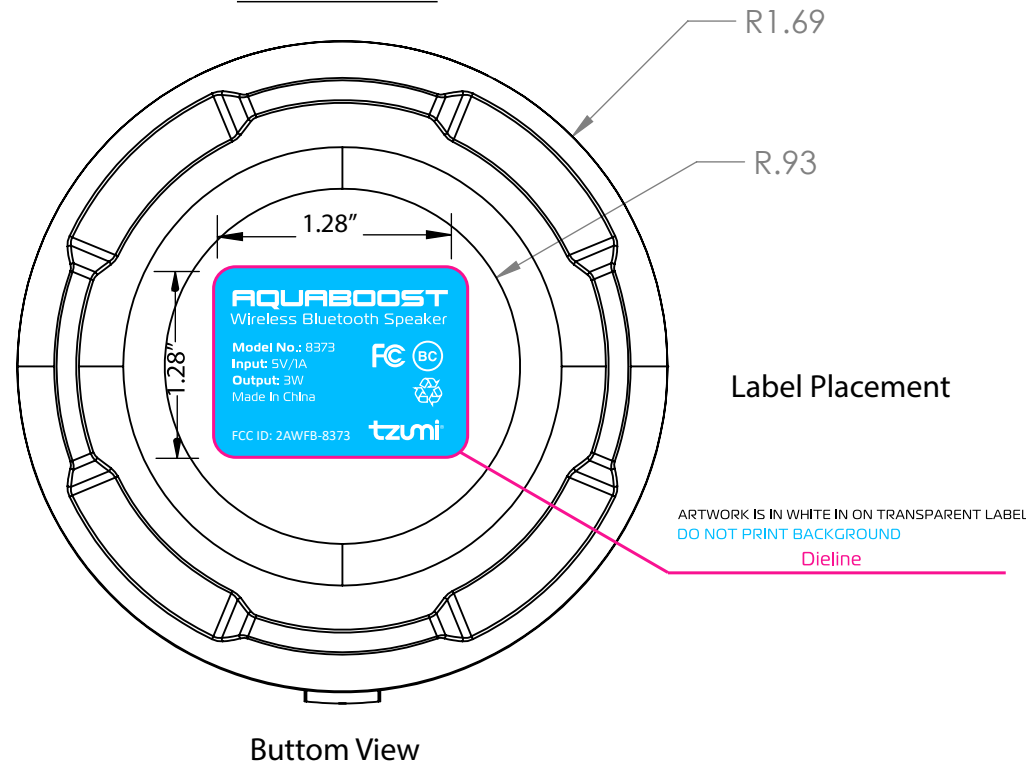
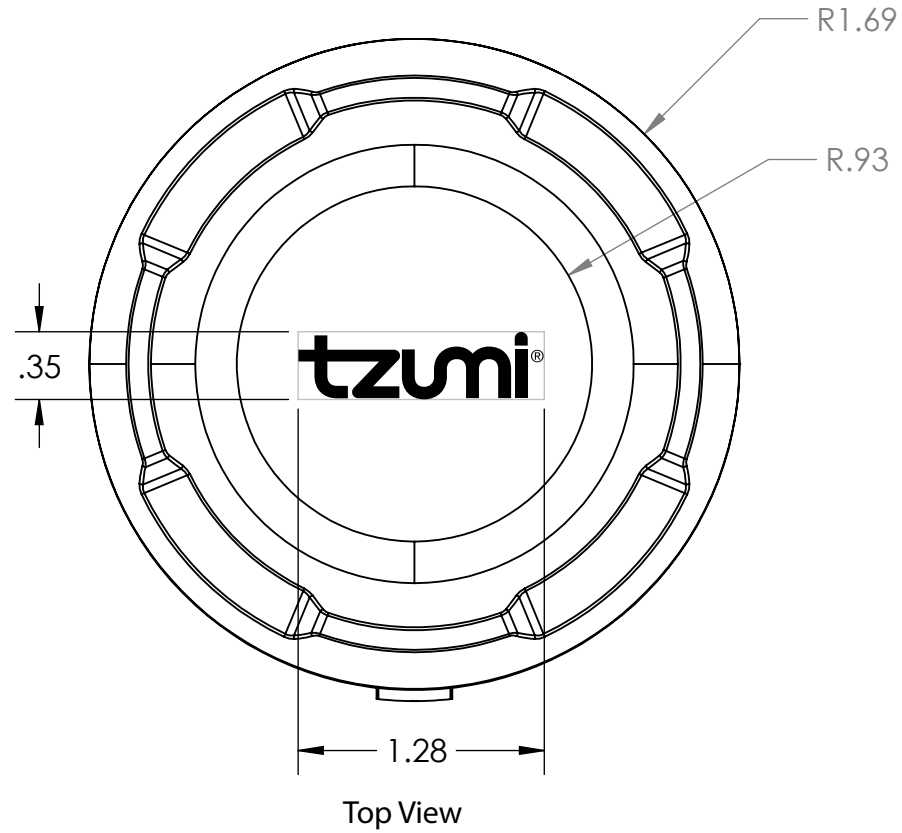


8373\_Tz\_Aquaboost\_un1\_Dims\_Logo Placement



**tzumi®**

PROPRIETARY AND CONFIDENTIAL  
THE INFORMATION CONTAINED IN THIS DRAWING IS THE SOLE PROPERTY OF TZUMI ELECTRONICS. ANY REPRODUCTION IN PART OR AS A WHOLE WITHOUT THE WRITTEN PERMISSION OF TZUMI ELECTRONICS IS PROHIBITED.

UNLESS OTHERWISE SPECIFIED:	NAME	DATE
DIMENSIONS ARE IN INCHES	DRAWN	2/16/2021
TOLERANCES:	CHECKED	
FRACTIONAL ±	ENG APPR.	
ANGULAR: MACH ± BEND ±	MFG APPR.	
TWO PLACE DECIMAL ±	Q.A.	
THREE PLACE DECIMAL ±	COMMENTS:	
MATERIAL		
FINISH		
DO NOT SCALE DRAWING		

TITLE:  
**8373\_Tz\_Aquaboost\_un1**

SIZE	DWG. NO.	REV
<b>B</b>		
SCALE: 1:2	WEIGHT:	SHEET 1 OF 1