

**WIRELESS CHARGING CAR HOLDER**  
**QUICK CHARGE**  
**15W**



**User Manual**

**Packing Detail**

Wireless charging holder	X 1
*Car air vent holder	X 1
Type-C charging cable	X 1
*Sucker holder	X 1

Note: optional with\*

\*When charging wirelessly:The wireless charger with output power of 5W/10W/15W needs to be equipped with a car charger with QC3.0 fast charge.

**Product Specification**

Input	DC9V/2.0A 5V/2.0A(MAX)
Output	DC9V/1.67A 9V/1.12A 5V/1.0A
Input port	Type-C
Working temperature	-10°C-55°C
Wireless charging distance	6mm Max
Charging conversion rate	73%-80%
Super Capacitor	Can be opened and closed 10 times with 5 minutes of power disconnected.

**Intelligent protection**

**Output over voltage protection**

When the product is wireless charging with coil temperature exceeds 60°C, it will stop charging and the red light will flash. When it with coil temperature lower than 55°C, it will start working.

**Output Current protection**

When the charger output current exceeds 2A,the charging stops and the red light flashes to prevent damage to the phone.

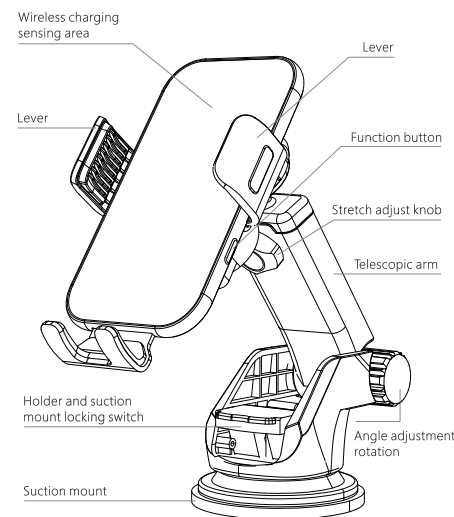
**Voltage Protection**

When the charger output voltage exceeds the output rated voltage,the charging stops to prevent damage to the phone.

**Foreign Object Detection**

When the wireless charger detects a metal foreign object,it will stop charging, and the indicator light flashes red and blue alternately.

**Function Parts**



\*Product appearance and parameters may be modified due to functional improvements.If without notification,please refer to the actual product.

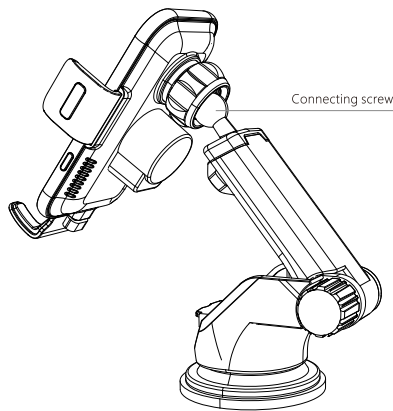
**Operating environment and maintenance**

- Do not use this product near a strong magnetic field.
- Do not use unapproved or incompatible power supplies or chargers as this may cause product failure, fire, explosion or other hazards.
- Please use this product in the temperature range of -10°C~+55°C, and store it in the range of -20°C~+70°C. When the ambient temperature is too high or too low, it can cause product failure, fire or explosion.
- Keep the equipment dry. Rain, moisture and all kinds of moisture can cause circuit damage.
- Stop using the product and disconnect the power to the product before cleaning and maintenance.
- Do not use cleaning products such as detergents or alcohol, but simply wipe with a clean, dry, soft cloth.
- Do not throw, knock, or forcefully pull the product components to avoid product failure.
- Do not disassemble or modify the product without permission, otherwise the product and accessories will not be covered by our warranty.
- In case of product failure, please contact the service center.

**FCC Warning Statement**

Changes or modifications not expressly approved by the party responsible for compliance could void the user's authority to operate the equipment. This equipment has been tested and found to comply with the limits for a Class B digital device, pursuant to Part 15 of the FCC Rules. These limits are designed to provide reasonable protection against harmful interference in a residential installation. This equipment generates uses and can radiate radio frequency energy and, if not installed and used in accordance with the instructions, may cause harmful interference to radio communications. However, there is no guarantee that interference will not occur in a particular installation. If this equipment does cause harmful interference to radio or television reception, which can be determined by turning the equipment off and on, the user is encouraged to try to correct the interference by one or more of the following measures:

- Reorient or relocate the receiving antenna.
- Increase the separation between the equipment and receiver.
- Connect the equipment into an outlet on a circuit different from that to which the receiver is connected.
- Consult the dealer or an experienced radio/TV technician for help.



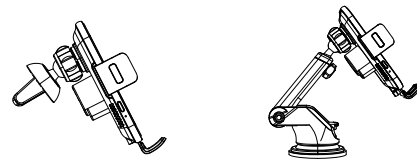
**Quick Installation**

**1. Assembly of products**

Connect the wireless charger to the holder,and you can choose to install the holder with rotary lifting function as required.The suction disc mounting holder, also can choose to install the outlet holder.

**2. Fixed products**

Fix the assembled product and base holder to the appropriate position.A variety of installation methods can be obtained by adjusting the spherical fitting and two adjusting knobs.



**3. Connecting power supply**

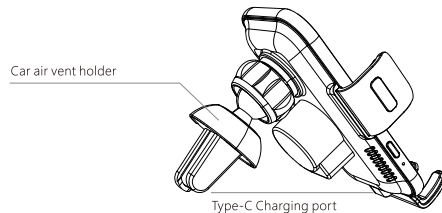
Insert one end of the standard power cord into the input port of the wireless charger.Another end is plugged into a power supply that meets the requirements of this manual.

**Use introduction**

**1. Full automatic phone clip.**

① Placing the mobile phone:The charger holder clip is open when it is powered on.Hold the phone against the surface of the charger.The holder clip will automatically close to fix the phone.

② Remove the mobile phone:While holding the mobile phone with your hand, press the push-open button with your finger,the holder will automatically open, and you can remove the mobile phone(the whole process can be completed with one hand).



**2. Wireless charging.**

This product has the wireless charging function,connects the wireless charger to the power supply,and then will support Qi wireless.Charging the mobile phone of the charging protocol is fixed on the wireless charger,and the wireless charging reception area of the mobile phone is right.The charging sensor area of the Qi wireless charger,the mobile phone will start to charge automatically.

**3. LED status indicator.**

Standby state,power is turned on,no device to be charged is detected - Red light ON  
The device is being wirelessly charged or fully charged - Blue light ON  
Metal foreign body detection - Red light blue light flashes at the same time

**Compatible Products**

<b>IPHONE</b>	<b>SAMSUNG</b>	<b>MI</b>
IPHONE 8 Series	GALAXY S Series	MI 9
IPHONE X Series	GALAXY Note Series	MI 10
IPHONE XS Series	<b>HUAWEI</b>	
IPHONE 11 Series	HUAWEI P Series	
IPHONE 12 Series	HUAWEI Mate Series	

\*Support almost all devices that are not on the list but support the Qi wireless charging standard.

**Safety Cautions**

Please read and follow the following instructions when using this product in the car.  
1. When the mobile phone falls due to user error triggering or strong magnetic or electro static interference,etc. The vehicle should be parked in the safety area of the road to pick up the mobile phone.Please do not pick up the mobile phone while driving.

2. Please keep in mind that safe driving is your first duty.Do not operate this Product while driving,or do some things which will distract you.

3. Please do not install this product on the car airbag or airbag after expansion can be reached.Otherwise,when the airbag inflates,the product may be compressed by the airbag to the occupants person and cause harm.

4. Please check the firmness of the installation of this product regularly to avoid the loss of control of the vehicle and cause damage to the person.

**WARRANTY CARD**

user information	user name	telephone number	
	purchase time	invoice number	
	user address		
product information	product model	product color	
	product barcode		
	other		
maintenance records			
date	fault description	maintenance status	Signature

- \* ① Please fill in the relevant information on the warranty card after purchase.
- ② Please keep the warranty card as proof of warranty.

A08中性英文说明书

3折页, 风琴折, 双面印刷, 成型尺寸: 105X65mm,80g双铜