



# SAR TEST REPORT

**Report No.:** 20230417G03299X-W2  
**Product Name:** LTE Flip Feature Phone  
**Model Name:** SH3320  
**Marketing Name:** Cactus  
**Trade Name:** START, Consumer Cellular, Verve, IRIS  
**Brand Name:** START, Consumer Cellular, Verve, IRIS  
**FCC ID:** 2AWF6-SH3320  
**Applicant:** START USA, INC.  
**Address:** 6860 Dallas Parkway, Suite 200, Plano, TX 75024, USA  
**Test Date:** 2023/05/30~2023/06/18  
**Issued by:** CCIC Southern Testing Co., Ltd.  
**Lab Location:** Electronic Testing Building, No. 43 Shahe Road Xili Street, Nanshan District, Shenzhen, Guangdong 518055, China  
**Tel:** 86 755 26627338      **Fax:** 86 755 26627238  
**Mail:** manager@ccic-set.com      **Website** <http://www.ccic-set.com>

This test report consists of 73 pages in total. It may be duplicated completely for legal use with the approval of the applicant. It should not be reproduced except in full, without the written approval of our laboratory. The client should not use it to claim product endorsement by CCIC-SET. The test results in the report only apply to the tested sample. The test report shall be invalid without all the signatures of testing engineers, reviewer and approver. Any objections must be raised to CCIC-SET within 15 days since the date when the report is received. It will not be taken into consideration beyond this limit.



## Test Report

**Applicant:** START USA, INC.

**Applicant Address:** 6860 Dallas Parkway, Suite 200, Plano, TX 75024, USA

**Manufacturer:** THINKSTART ELECTRONIC TECHNOLOGY CO., LTD.

**Manufacturer Address:** Unit A1-403, Kexing Science Park, 15 Keyuan Road, Nanshan District, Shenzhen, CHINA

**47CFR §2.1093-** Radiofrequency Radiation Exposure Evaluation: Portable Devices;

**Test Standards:** **ANSI C95.1-1992:** Safety Levels with Respect to Human Exposure to Radio Frequency Electromagnetic Fields, 3 kHz – 300 GHz.( IEEE Std C95.1-1991)

**IEEE 1528-2013:** IEEE Recommended Practice for Determining the Peak Spatial-Average Specific Absorption Rate (SAR) in the Human Head from Wireless Communications Devices: Measurement Techniques

**Test Result:** Pass

**Tested by:** Carl Wei 2023-06-21

Carl Wei, Test Engineer

**Reviewed by:** Chris You 2023-06-21

Chris You, Senior Engineer

**Approved by:** Yang Fan 2023-06-21

Yang Fan, Manager



## Contents

Test Report .....	2
<b>1. Administrative Data.....</b>	<b>4</b>
<b>2. Equipment Under Test (EUT) .....</b>	<b>5</b>
<b>3. SAR Summary .....</b>	<b>6</b>
<b>4. Specific Absorption Rate (SAR).....</b>	<b>8</b>
<b>5. Tissue check and recommend Dielectric Parameters .....</b>	<b>12</b>
<b>6. SAR measurement procedure .....</b>	<b>17</b>
<b>7. Power Reduction Configuration .....</b>	<b>18</b>
<b>8. Conducted RF Output Power .....</b>	<b>21</b>
<b>9. Antenna Location:.....</b>	<b>47</b>
<b>10. Scaling Factor calculation .....</b>	<b>49</b>
<b>11. Test Results .....</b>	<b>51</b>
<b>12. Simultaneous Transmissions Analysis .....</b>	<b>64</b>
<b>13. Measurement Uncertainty.....</b>	<b>68</b>
<b>14. Equipment List.....</b>	<b>72</b>
ANNEX A: Appendix A: SAR System performance Check Plots.....	73
ANNEX B: Appendix B: SAR Measurement results Plots.....	73
ANNEX C: Appendix C: Calibration reports .....	73
ANNEX D: Appendix D: SAR Test Setup.....	73



## 1. Administrative Data

### 1.1 Testing Laboratory

<b>Test Site:</b>	CCIC Southern Testing Co., Ltd.
<b>Address:</b>	Electronic Testing Building, No. 43 Shahe Road Xili Street, Nanshan District, Shenzhen, Guangdong 518055, China
<b>A2LA Lab Code:</b>	CCIC-SET is a third party testing organization accredited by A2LA according to ISO/IEC 17025:2017. The accreditation certificate number is 5721.01
<b>FCC Registration:</b>	CCIC Southern Testing Co., Ltd. EMC Laboratory has been registered and fully described in a report filed with the FCC (Federal Communications Commission). The acceptance letter from the FCC is maintained in our files. Designation Number: CN1283, valid time is until June 30th, 2023.
<b>ISED Registration:</b>	CCIC Southern Testing Co., Ltd. EMC Laboratory has been registered by Certification and Engineering Bureau of Industry Canada for the performance of radiated measurements with Registration No. 11185A-1 on Aug. 04, 2016, valid time is until June 30th, 2023.
<b>Test Environment Condition:</b>	Temperature ( °C): 18 °C ~25 °C Relative Humidity (%): 35%~75% RH Atmospheric Pressure (kPa): 86KPa-106KPa

## 2. Equipment Under Test (EUT)

### Identification of the Equipment under Test

Device type :	portable device	
Exposure category:	uncontrolled environment / general population	
Product Name:	LTE Flip Feature Phone	
Brand Name:	START, Consumer Cellular, Iris	
Model Name:	SH3320	
Operating Band(s):	UMTS Band I/IV/V,LTE Band 2,4,5,12,66,WIFI2.4G, BT	
Test Band(s):	UMTS Band I/IV/V,LTE Band 2,4,5,12,66,WIFI2.4G, BT	
Test modulation:	UMTS(QPSK),LTE(QPSK/16QAM/64QAM), WI-FI 2.4G(DSSS, OFDM),BT( GFSK/ $\pi$ /4-DQPSK/8-DPSK)	
IMEI:	350935900002786	
Tested frequency range(s)	transmitter frequency range	receiver frequency range
UMTS Band V:	824-849 MHz	869-894 MHz
UMTS Band IV:	1710-1755 MHz	2110-2155 MHz
UMTS Band II:	1850-1910 MHz	1930-1990 MHz
LTE Band 2:	1850-1910 MHz	1930-1990 MHz
LTE Band 4:	1710-1755 MHz	2110-2155 MHz
LTE Band 5:	824-849 MHz	869-894 MHz
LTE Band 12:	698-716 MHz	728-746 MHz
LTE Band 66:	1710-1780 MHz	2110-2200 MHz
Wi-Fi:	2412-2462 MHz	
Bluetooth:	2402-2480 MHz	
Hardware version :	SH3320HV1.0	
Software version :	SH3320SV014	
Antenna type :	Internal antenna	
Hotspot :	2.4GHz WLAN support Hotspot mode	
Battery options :	Model No.: SA3200 Capacitance: 2000mAh Rated Voltage: 3.8V Charge Limit: 4.35V Manufacturer: Phenix Eew Energy(Huizhou)Co.,Ltd	
MAX. SAR Value:	Head: 0.699 W/Kg( Limit:1.6W/Kg, 0mm distance ) Body-worn: 1.020 W/Kg(Limit:1.6W/Kg, 10mm distance) Hotspot: 1.020 W/Kg(Limit:1.6W/Kg, 10mm distance)	

#### Note:

1. The above EUT's information was declared by manufacturer. Please refer to the specifications or user's manual for more detailed description.



### 3. SAR Summary

#### Highest Standalone SAR Summary

Exposure Position	Frequency Band	Scaled 1g-SAR(W/kg)	Highest Scaled 1g-SAR(W/kg)
Head	WCDMA Band V ANT 3	0.514	0.699
	WCDMA Band IV ANT 3	0.529	
	WCDMA Band II ANT 3	0.373	
	LTE Band 2 ANT 3	0.249	
	LTE Band 4 ANT 3	0.361	
	LTE Band 5 ANT 3	0.360	
	LTE Band 12 ANT 3	0.257	
	LTE Band 66 ANT 3	0.232	
	WIFI 2.4G 802.11b ANT 2	0.699	
	BT ANT 2	0.066	

Exposure Position	Frequency Band	Scaled 1g-SAR(W/kg)	Highest Scaled 1g-SAR(W/kg)
Body-worn (10mm Gap)	WCDMA Band V ANT 3	1.020	1.020
	WCDMA Band IV ANT 3	1.000	
	WCDMA Band II ANT 3	0.921	
	LTE Band 2 ANT 3	0.579	
	LTE Band 4 ANT 3	0.729	
	LTE Band 5 ANT 3	0.724	
	LTE Band 12 ANT 3	0.704	
	LTE Band 66 ANT 3	0.761	
	WIFI 2.4G 802.11b ANT 2	0.306	
	BT ANT 2	0.033	



Exposure Position	Frequency Band	Scaled 1g-SAR(W/kg)	Highest Scaled 1g-SAR(W/kg)
Hotspot (10mm Gap)	WCDMA Band V ANT 3	1.020	1.020
	WCDMA Band IV ANT 3	1.000	
	WCDMA Band II ANT 3	0.921	
	LTE Band 2 ANT 3	0.579	
	LTE Band 4 ANT 3	0.729	
	LTE Band 5 ANT 3	0.724	
	LTE Band 12 ANT 3	0.704	
	LTE Band 66 ANT 3	0.761	
	WIFI 2.4G 802.11b ANT 2	0.306	
	BT ANT 2	0.033	

### Highest Simultaneous SAR Summary

Exposure Position	Frequency Band	Highest Simultaneous 1g-SAR(W/kg)
Hotspot (10mmGap)	WWAN(WCDMA 850)&WIFI 2.4G	1.326

## 4. Specific Absorption Rate (SAR)

### 4.1 Introduction

SAR is related to the rate at which energy is absorbed per unit mass in an object exposed to a radio field. The SAR distribution in a biological body is complicated and is usually carried out by experimental techniques or numerical modeling. The standard recommends limits for two tiers of groups, occupational/controlled and general population/uncontrolled, based on a person's awareness and ability to exercise control over his or her exposure. In general, occupational/controlled exposure limits are higher than the limits for general population/uncontrolled.

The SAR definition is the time derivative (rate) of the incremental energy (dW) absorbed by (dissipated in) an incremental mass (dm) contained in a volume element (dv) of a given density ( $\rho$ ). The equation description is as below:

$$\text{SAR} = \frac{d}{dt} \left( \frac{dW}{dm} \right) = \frac{d}{dt} \left( \frac{dW}{\rho dv} \right)$$

SAR is expressed in units of Watts per kilogram (W/kg)

SAR measurement can be either related to the temperature elevation in tissue by

$$\text{SAR} = C \frac{\delta T}{\delta t}$$

where C is the specific heat capacity,  $\delta T$  is the temperature rise and  $\delta t$  the exposure duration, or related to the electrical field in the tissue by

$$\text{SAR} = \frac{\sigma |E|^2}{\rho}$$

where  $\sigma$  is the conductivity of the tissue,  $\rho$  is the mass density of the tissue and E is the rms electrical field strength.

However for evaluating SAR of low power transmitter, electrical field measurement is typically applied.





## 4.2 Applicable Standards and Limits

### 4.2.1 Applicable Standards

47CFR §2.1093	Radiofrequency Radiation Exposure Evaluation: Portable Devices
ANSI C95.1-1992	Safety Levels with Respect to Human Exposure to Radio Frequency Electromagnetic Fields, 3 kHz – 300 GHz.( IEEE Std C95.1-1991)
IEEE 1528-2013	IEEE Recommended Practice for Determining the Peak Spatial-Average Specific Absorption Rate (SAR) in the Human Head from Wireless Communications Devices: Measurement Techniques
KDB 248227 D01	v02r02 802.11 Wi-Fi SAR
KDB 447498 D01	v06 General RF Exposure Guidance
KDB 648474 D04	v01r03 Handset SAR
KDB 865664 D01	v01r04 SAR Measurement 100MHz to 6GHz
KDB 865664 D02	v01r02 SAR Exposure Reporting
KDB 941225 D01	v03r01 3G SAR Procedures
KDB 941225 D05	v02r05 SAR for LTE Devices
KDB 941225 D05A	v01r02 LTE Rel.10 KDB Inquiry Sheet
KDB 941225 D06	v02r01 Hotspot Mode

### 4.2.2 RF exposure Limits

<b>Human Exposure</b>	<b>Uncontrolled Environment General Population</b>
<b>Spatial Peak SAR*</b> (Brain/Body)	1.60 mW/g
<b>Spatial Average SAR**</b> (Whole Body)	0.08 mW/g
<b>Spatial Peak SAR***</b> (Limbs)	4.00 mW/g

The limit applied in this test report is shown in bold letters.

Notes:

\* The Spatial Peak value of the SAR averaged over any 10 grams of tissue (defined as a tissue volume in the shape of a cube) and over the appropriate averaging time

\*\* The Spatial Average value of the SAR averaged over the whole body.

\*\*\* The Spatial Peak value of the SAR averaged over any 10 grams of tissue (defined as a tissue volume in the shape of a cube) and over the appropriate averaging time.

### 4.3 Phantoms

The phantom used for all tests i.e. for both system checks and device testing, was the twin-headed "SAM Phantom", manufactured by SATIMO. The SAM twin phantom is a fiberglass shell phantom with 2mm shell thickness (except the ear region, where shell thickness increases to 6mm).

System checking was performed using the flat section, whilst Head SAR tests used the left and right head profile sections. Body SAR testing also used the flat section between the head profiles.



SAM Twin Phantom

### 4.4 Device Holder

The device was placed in the device holder (illustrated below) that is supplied by SATIMO as an integral part of the COMOSAR test system.

The device holder is designed to cope with the different positions given in the standard. It has two scales for device rotation (with respect to the body axis) and device inclination (with respect to the line between the ear reference points). The rotation centers for both scales is the ear reference point (ERP). Thus the device needs no repositioning when changing the angles.



Device holder

### 4.5 Probe Specification

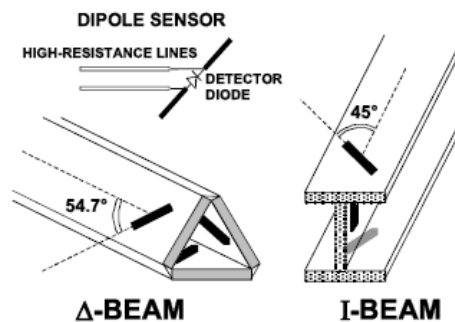


Construction	Symmetrical design with triangular core Interleaved sensors Built-in shielding against static charges PEEK enclosure material (resistant to organic solvents, e.g., DGBE)
Calibration	ISO/IEC 17025 calibration service available.
Frequency	700 MHz to 3 GHz; Linearity: $\pm 0.5$ dB (700 MHz to 3 GHz)
Directivity	$\pm 0.25$ dB in HSL (rotation around probe axis) $\pm 0.5$ dB in tissue material (rotation normal to probe axis)
Dynamic Range	1.5 $\mu$ W/g to 100 mW/g; Linearity: $\pm 0.5$ dB
Dimensions	Overall length: 330 mm (Tip: 20 mm) Tip diameter: 5 mm Distance from probe tip to dipole centers: <2.7 mm
Application	General dosimetry up to 3 GHz Dosimetry in strong gradient fields Compliance tests of mobile phones
Compatibility	COMOSAR

#### Isotropic E-Field Probe

The isotropic E-Field probe has been fully calibrated and assessed for isotropicity, and boundary effect within a controlled environment. Depending on the frequency for which the probe is calibrated the method utilized for calibration will change.

The E-Field probe utilizes a triangular sensor arrangement as detailed in the diagram below:





## 5. Tissue check and recommend Dielectric Parameters

### 5.1 Tissue Dielectric Parameters for Head and Body Phantoms

The head tissue dielectric parameters recommended by the IEEE SCC-34/SC-2 in P1528 have been incorporated in the following table. These head parameters are derived from planar layer models simulating the highest expected SAR for the dielectric properties and tissue thickness Power drifts in a human head. Other head and body tissue parameters that have not been specified in P1528 are derived from the tissue dielectric parameters computed from the 4-Cole-Cole equations described in Reference [12] and extrapolated according to the head parameters specified in P1528.

Table 1: Recommended Dielectric Performance of Tissue

Ingredients (% by weight )	Frequency (MHz)											
	450		835		915		1900		2450		2600	
Tissue Type	Head	Body	Head	Body	Head	Body	Head	Body	Head	Body	Head	Body
Water	38.56	51.16	41.46	52.4	41.05	56.0	54.9	40.4	62.7	73.2	55.24	64.49
Salt (NaCl)	3.95	1.49	1.45	1.4	1.35	0.76	0.18	0.5	0.5	0.04	0.5	0.024
Sugar	56.32	46.78	56.0	45.0	56.5	41.76	0.0	58.0	0.0	0.0	0.0	0.0
HEC	0.98	0.52	1.0	1.0	1.0	1.21	0.0	1.0	0.0	0.0	0.0	0.0
Bactericide	0.19	0.05	0.1	0.1	0.1	0.27	0.0	0.1	0.0	0.0	0.0	0.0
Triton x-100	0.0	0.0	0.0	0.0	0.0	0.0	0.0	0.0	36.8	0.0	44.45	32.25
DGBE	0.0	0.0	0.0	0.0	0.0	0.0	44.92	0.0	0.0	26.7	0.0	26.7
Dielectric Constant	43.42	58.0	42.54	56.1	42.0	56.8	39.9	54.0	39.2	52.5	39.0	52.5
Conductivity (s/m)	0.85	0.83	0.91	0.95	1.0	1.07	1.42	1.45	1.80	1.78	1.96	2.16

MSL/HSL750 (Body and Head liquid for 650 – 850 MHz)

Item	Head Tissue Simulation Liquid HSL750 Muscle(body)Tissue Simulation Liquid MSL750			
H2O	Water, 35 – 58%			
Sucrose	Sugar, white, refined, 40-60%			
NaCl	Sodium Chloride, 0-6%			
Hydroxyethyl-cellulose	Medium Viscosity (CAS# 9004-62-0), <0.3%			
Preventol-D7	Preservative: aqueous preparation, (CAS# 55965-84-9), containing 5-chloro-2-methyl-3(2H)-isothiazolone and 2-methyl-3(2H)-isothiazolone, 0.1-0.7%			
Frequency (MHz)	Head $\epsilon_r$	Head $\sigma$ (S/m)	Body $\epsilon_r$	Body $\sigma$ (S/m)
750	41.9	0.89	55.2	0.97

Note: The liquid of 700MHz&2600MHz typical liquid composition is provided by SATIMO.



Frequency:5200/5400/5600/5800MHz	
Ingredients	(% by weight)
Water	78
Mineral oil	11
Emulsifiers	9
Additives and Salt	2

Table 2 Recommended Tissue Dielectric Parameters

Frequency (MHz)	Head Tissue		Body Tissue	
	$\epsilon_r$	$\sigma$ (S/m)	$\epsilon_r$	$\sigma$ (S/m)
150	52.3	0.76	61.9	0.80
300	45.3	0.87	58.2	0.92
450	43.5	0.87	56.7	0.94
835	41.5	0.90	55.2	0.97
900	41.5	0.97	55.0	1.05
915	41.5	0.98	55.0	1.06
1450	40.5	1.20	54.0	1.30
1610	40.3	1.29	53.8	1.40
1800-2000	40.0	1.40	53.3	1.52
2450	39.2	1.80	52.7	1.95
3000	38.5	2.40	52.0	2.73
5800	35.3	5.27	48.2	6.00



## 5.2 Simulate liquid

Liquid check results:

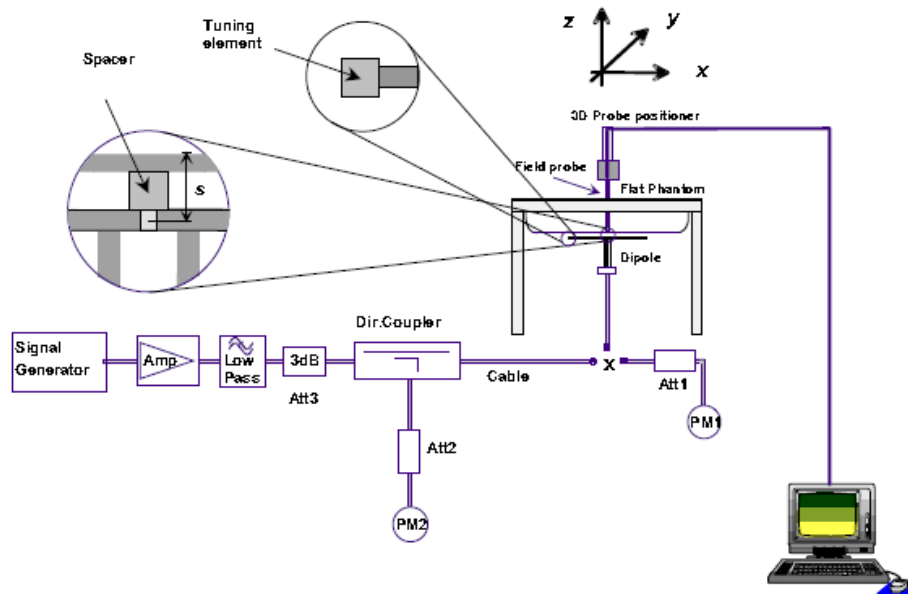
Table 3: Dielectric Performance of Tissue Simulating Liquid

/	Frequency	Permittivity $\epsilon$	Conductivity $\sigma$ (S/m)	Liquid Temp. (°C)	Test Date
Target value	750MHz	41.9±5% (39.805~43.995)	0.89±5% (0.8455~0.9345)	21.9	2023/05/30
Validation value		41.76	0.89		
Target value	835MHz	41.5±5% (39.425~43.575)	0.90±5% (0.855~0.945)	22.4	2023/06/08
Validation value		41.36	0.92		
Target value	1800MHz	40.0±5% (38.0~42.0)	1.40±5% (1.33~1.47)	22.0	2023/06/18
Validation value		39.59	1.38		
Target value	1900MHz	40.0±5% (38.0~42.0)	1.40±5% (1.33~1.47)	22.3	2023/06/17
Validation value		38.96	1.43		
Target value	2450MHz	39.2±5% (37.24~41.16)	1.80±5% (1.71~1.89)	22.3	2023/06/11
Validation value		38.64	1.79		

## SAR System validation

Prior to the assessment, the system validation kit was used to test whether the system was operating within its specifications of  $\pm 10\%$ . The validation results are tabulated below. And also the corresponding SAR plot is attached as well in the SAR plots files.

The following procedure, recommended for performing validation tests using box phantoms is based on the procedures described in the IEEE standard P1528. Setup according to the setup diagram below:



With the SG and Amp and with directional coupler in place, set up the source signal at the relevant frequency and use a power meter to measure the power at the end of the SMA cable that you intend to connect to the balanced dipole. Adjust the SG to make this, say, 0.01W (10 dBm). If this level is too high to read directly with the power meter sensor, insert a calibrated attenuator (e.g. 10 or 20 dB) and make a suitable correction to the power meter reading.

Note 1: In this method, the directional coupler is used for monitoring rather than setting the exact feed power level.

If, however, the directional coupler is used for power measurement, you should check the frequency range and power rating of the coupler and measure the coupling factor (referred to output) at the test frequency using a VNA.

Note 2: Remember that the use of a 3dB attenuator (as shown in Figure 8.1 of P1528) means that you need an RF amplifier of 2 times greater power for the same feed power. The other issue is the cable length. You might get up to 1dB of loss per meter of cable, so the cable length after the coupler needs to be quite short.

Note 3: For the validation testing done using CW signals, most power meters are suitable. However, if you are measuring the output of a modulated signal from either a signal generator or a handset, you must ensure that the power meter correctly reads the modulated signals.

The measured 1-gram averaged SAR values of the device against the phantom are provided in Tables 5 and Table 6. The body phantom were full of the body tissue simulating liquid. The EUT was supplied with full-charged battery for each measurement.

The distance between the back of the EUT and the bottom of the flat phantom is 10 mm (taking into account of the IEEE 1528 and the place of the antenna).



Table 4: system validation (1g)  
System Check Results

Frequency	Duty cycle	Target value (1-g) (W/Kg)	10mW Test value (1-g) (W/Kg)	Test SAR Normalized to 1W(w/Kg)	Test Date
750MHz	1:1	8.73 W/kg±10% (7.857~9.603)	0.0873	8.73	2023/05/30
835MHz	1:1	9.69 W/kg±10% (8.721~10.659)	0.0871	8.71	2023/06/08
1800MHz	1:1	37.25 W/kg±10% (33.525~40.975)	0.3658	36.58	2023/06/18
1900MHz	1:1	39.71 W/kg±10% (35.739~43.681)	0.4081	40.81	2023/06/17
2450MHz	1:1	53.71 W/kg±10% (48.339~59.081)	0.5086	50.86	2023/06/11

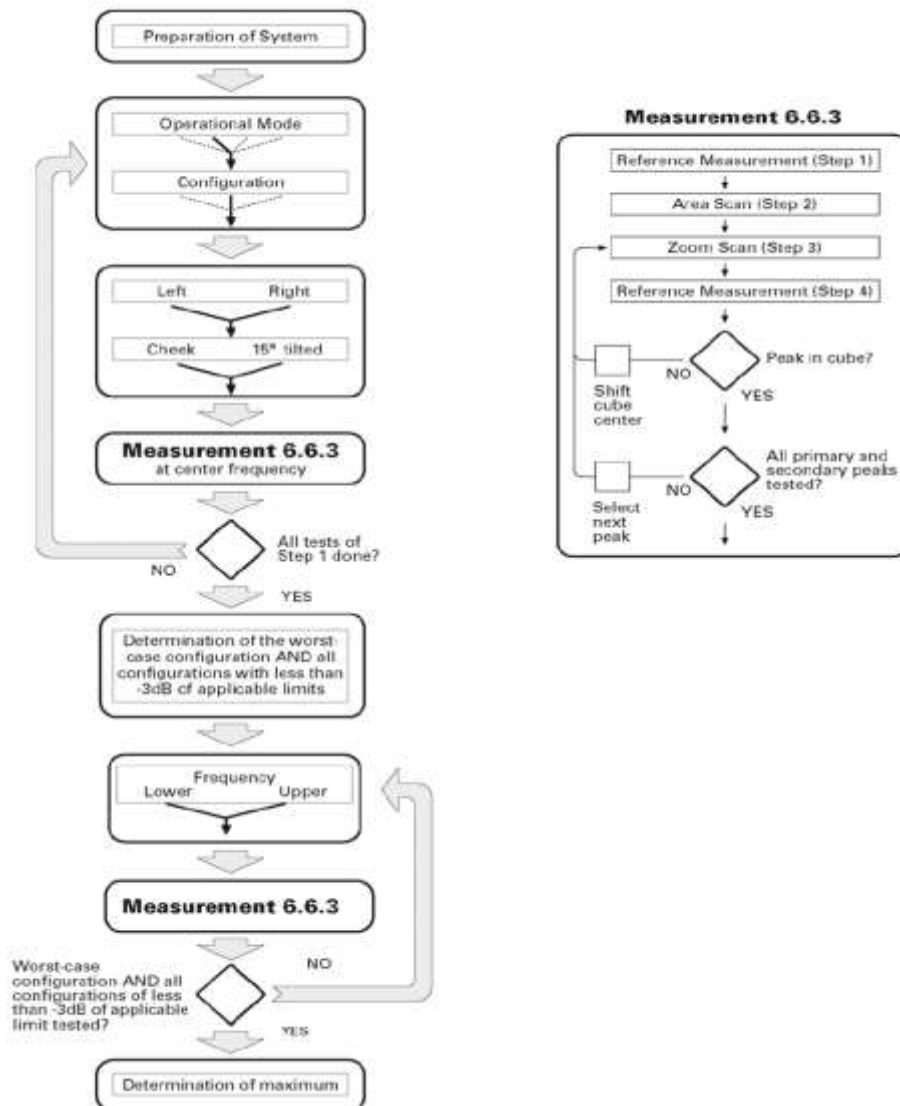
**Note:**

1. Target value was referring to the measured value in the calibration certificate of reference dipole.
2. All SAR values are normalized to 1W forward power.



## 6. SAR measurement procedure

The SAR test against the head phantom was carried out as follow:



Establish a call with the maximum output power with a base station simulator, the connection between the EUT and the base station simulator is established via air interface.

After an area scan has been done at a fixed distance of 2mm from the surface of the phantom on the source side, a 3D scan is set up around the location of the maximum spot SAR. First, a point within the scan area is visited by the probe and a SAR reading taken at the start of testing. At the end of testing, the probe is returned to the same point and a second reading is taken. Comparison between these start and end readings enables the power drift during measurement to be assessed.

Above is the scanning procedure flow chart and table from the IEEE p1528 standard. This is the procedure for which all compliant testing should be carried out to ensure that all variations of the device position and transmission behavior are tested.



## 7. Power Reduction Configuration

### Proximity sensor triggering

1). When EUT is using WCDMA 1700/1900 and LTE Band 2/4/66, SAR Sensor is used to detect whether the EUT is closed or not to reduce the power of WCDMA 1700/1900 and LTE Band 2/4/66. EUT closes the flip cover, SAR sensor triggers, and EUT reduces power; EUT opens the flip cover, SAR sensor does not trigger, and EUT power is normal.

Antenna 3			
Band	Test position	EUT test status	Power reduction amount (dB)
WCDMA 1700	Front side	EUT closes the flip cover	3.5
		EUT opens the flip cover	0
	Back side	EUT closes the flip cover	3.5
		EUT opens the flip cover	0
	Left side	EUT closes the flip cover	3.5
		EUT opens the flip cover	0
	Right side	EUT closes the flip cover	3.5
		EUT opens the flip cover	0
Bottom side	EUT closes the flip cover	3.5	
	EUT opens the flip cover	0	

Antenna 3			
Band	Test position	EUT test status	Power reduction amount (dB)
WCDMA 1900	Front side	EUT closes the flip cover	3.5
		EUT opens the flip cover	0
	Back side	EUT closes the flip cover	3.5
		EUT opens the flip cover	0
	Left side	EUT closes the flip cover	3.5
		EUT opens the flip cover	0
	Right side	EUT closes the flip cover	3.5
		EUT opens the flip cover	0
Bottom side	EUT closes the flip cover	3.5	
	EUT opens the flip cover	0	



Antenna 3			
Band	Test position	EUT test status	Power reduction amount (dB)
LTE Band 2	Front side	EUT closes the flip cover	3.5
		EUT opens the flip cover	0
	Back side	EUT closes the flip cover	3.5
		EUT opens the flip cover	0
	Left side	EUT closes the flip cover	3.5
		EUT opens the flip cover	0
	Right side	EUT closes the flip cover	3.5
		EUT opens the flip cover	0
Bottom side	EUT closes the flip cover	3.5	
	EUT opens the flip cover	0	

Antenna 3			
Band	Test position	EUT test status	Power reduction amount (dB)
LTE Band 4	Front side	EUT closes the flip cover	3.5
		EUT opens the flip cover	0
	Back side	EUT closes the flip cover	3.5
		EUT opens the flip cover	0
	Left side	EUT closes the flip cover	3.5
		EUT opens the flip cover	0
	Right side	EUT closes the flip cover	3.5
		EUT opens the flip cover	0
Bottom side	EUT closes the flip cover	3.5	
	EUT opens the flip cover	0	



Antenna 3			
Band	Test position	EUT test status	Power reduction amount (dB)
LTE Band 66	Front side	EUT closes the flip cover	3.5
		EUT opens the flip cover	0
	Back side	EUT closes the flip cover	3.5
		EUT opens the flip cover	0
	Left side	EUT closes the flip cover	3.5
		EUT opens the flip cover	0
	Right side	EUT closes the flip cover	3.5
		EUT opens the flip cover	0
	Bottom side	EUT closes the flip cover	3.5
		EUT opens the flip cover	0



## 8. Conducted RF Output Power

### 8.1 WCDMA Conducted output Power

UMTS850 (Band V) ANT 3		Averaged output Power (dBm)		
		4132CH	4183CH	4233CH
		826.4	836.6	846..6
WCDMA	12.2kbps RMC	23.01	22.95	23.08
HSDPA	Subtest 1	21.73	21.69	21.78
	Subtest 2	21.61	21.68	21.32
	Subtest 3	20.97	20.92	20.37
	Subtest 4	20.66	20.59	21.02
HSUPA	Subtest 1	21.02	21.13	20.99
	Subtest 2	20.63	20.59	21.04
	Subtest 3	20.73	20.67	20.89
	Subtest 4	20.41	20.89	20.72
	Subtest 5	21.61	21.91	21.63
UMTS1700 (Band IV) ANT 3		Averaged output Power (dBm)		
		1312CH	1413CH	1513CH
		882.4	897.6	912.6
WCDMA	12.2kbps RMC	22.95	23.02	23.15
HSDPA	Subtest 1	21.60	21.61	21.76
	Subtest 2	20.78	20.81	20.70
	Subtest 3	21.27	21.53	21.47
	Subtest 4	21.18	21.32	21.12
HSUPA	Subtest 1	20.86	20.80	20.65
	Subtest 2	20.79	20.62	20.78
	Subtest 3	21.77	21.58	21.92
	Subtest 4	21.32	21.08	21.21
	Subtest 5	21.28	21.50	21.62
UMTS1700 (Band IV) ANT 3 P-Sensor ON		Averaged output Power (dBm)		
		1312CH	1413CH	1513CH
		882.4	897.6	912.6
WCDMA	12.2kbps RMC	19.65	19.55	19.73
HSDPA	Subtest 1	18.87	18.84	18.61
	Subtest 2	18.61	18.88	18.87
	Subtest 3	18.72	18.67	18.91
	Subtest 4	18.79	18.86	18.58
HSUPA	Subtest 1	18.88	18.82	18.54
	Subtest 2	18.63	18.90	18.59
	Subtest 3	18.77	18.73	18.61
	Subtest 4	18.89	18.85	18.80
	Subtest 5	18.54	18.85	18.48



UMTS1900 (Band II) ANT 3		Averaged output Power (dBm)		
		9262CH	9400CH	9538CH
		1852.4	1880.0	1907.6
WCDMA	12.2kbps RMC	22.98	23.12	23.08
HSDPA	Subtest 1	21.45	21.58	21.83
	Subtest 2	21.11	20.96	21.09
	Subtest 3	20.88	20.47	20.76
	Subtest 4	21.64	21.58	21.97
HSUPA	Subtest 1	20.35	20.46	20.56
	Subtest 2	21.40	21.61	21.30
	Subtest 3	21.32	21.16	21.57
	Subtest 4	21.34	21.19	21.02
	Subtest 5	20.46	20.33	20.61
UMTS1900 (Band II) ANT 3 P-Sensor ON		Averaged output Power (dBm)		
		9262CH	9400CH	9538CH
		1852.4	1880.0	1907.6
WCDMA	12.2kbps RMC	19.74	19.75	19.67
HSDPA	Subtest 1	18.83	19.01	18.87
	Subtest 2	18.75	18.65	18.78
	Subtest 3	18.91	18.91	18.77
	Subtest 4	18.69	18.94	18.72
HSUPA	Subtest 1	18.92	18.87	19.01
	Subtest 2	18.78	18.72	18.61
	Subtest 3	18.77	18.87	18.63
	Subtest 4	18.76	18.82	18.70
	Subtest 5	18.93	18.88	18.63

**Note:**

1. WCDMA SAR was tested under RMC 12.2kbps with HSPA Inactive per KDB Publication 941225 D01v03r01.HSPA SAR was not requires since the average output power of the HSPA subtests was not more than 0.25dB higher than the RMC level and SAR was less than 1.2W/kg.
2. It is expected by the manufacturer that MPR for some HSPA subtests may be up to 2dB more than specified by 3GPP, but also as low as 0dB according to the chipset implementation in this model



## 8.2 LTE Conducted peak output Power

### LTE Test Configurations

The CMW500 Wide Band Radio Communication Tester was used for LTE output power measurements and SAR testing. Closed loop power control was used so the UE transmits with maximum output power during SAR testing. SAR test were performed with the same number of RB and RB offsets transmitting on all frames.

#### 1) Spectrum Plots for RB configurations

A properly configured base station simulator was used for LTE output power measurements and SAR testing. Therefore, spectrum plots for RB configurations were not required to be included in this report.

#### 2) MPR

When MPR is implemented permanently within the UE, regardless of network requirements, only those RB configurations allowed by 3GPP for the channel bandwidth and modulation combinations may be tested with MPR active. Configurations with RB allocations less than the RB thresholds required by 3GPP must be tested without MPR.

The allowed Maximum Power Reduction(MPR) for the maximum output power due to higher order modulation and transmit bandwidth configuration (resource blocks) is specified in Table 6.2.3-1 of the 3GPP TS36.101:

**Table 6.2.3-1: Maximum Power Reduction (MPR) for Power Class 3**

Modulation	Channel bandwidth / Transmission bandwidth configuration [RB]						MPR (dB)
	1.4 MHz	3.0 MHz	5 MHz	10 MHz	15 MHz	20 MHz	
QPSK	> 5	> 4	> 8	> 12	> 16	> 18	≤ 1
16 QAM	≤ 5	≤ 4	≤ 8	≤ 12	≤ 16	≤ 18	≤ 1
16 QAM	> 5	> 4	> 8	> 12	> 16	> 18	≤ 2

#### 3) A-MPR LTE procedures for SAR testing

A-MPR(Additional MPR) has been disabled for all SAR tests by using Network Signaling Value of “NS\_01” on the base station simulator.

#### 4) LTE procedures for SAR testing

A) Largest channel bandwidth standalone SAR test

requirements i) QPSK with 1 RB allocation

Start with the largest channel bandwidth and measure SAR for QPSK with 1 RB allocation, using the RB offset and required test channel combination with the highest maximum output power for RB offsets at the upper edge, middle and lower edge of each required test channel. When the reported SAR is  $\leq 0.8\text{W/kg}$ , testing of the remaining RB offset configurations and required test channels is not required for 1RB allocation; otherwise, SAR is required for the remaining required test channels and only for the RB offset configuration with the highest output power for that channel. When the reported SAR of a required test channel is  $> 1.45\text{W/kg}$ , SAR is required for all three RB offset configurations for that required test channel.



1. LTE Band 2 Conducted Power Test Verdict:

LTE FDD Band 2 ANT 3				Conducted Power(dBm)			Tune up		
Bandwidth	Modulation	RB size	RB offset	Channel/Frequency					
				18607/1850.7	18900/1880	19193/1909.3			
1.4MHz	QPSK	1	0	23.30	23.22	23.62	23.0±1.0		
		1	3	23.05	23.25	23.40			
		1	5	23.12	23.19	23.38			
		3	0	22.36	22.30	22.42	22.0±1.0		
		3	2	22.29	22.23	22.53			
		3	3	22.23	22.12	22.36			
	16QAM	16QAM	6	0	22.15	22.19	22.30	22.0±1.0	
			1	0	22.69	22.74	22.41	22.0±1.0	
			1	3	22.65	22.37	22.53		
			1	5	22.32	22.50	22.56		
			21.0±1.0	16QAM	3	0	21.38	21.22	21.40
					3	2	21.37	21.21	21.48
					3	3	21.23	21.45	21.59
					6	0	21.22	21.30	21.41
21.0±1.0									

Bandwidth	Modulation	RB size	RB offset	Channel/Frequency			Tune up		
				18615/1851.5	18900/1880	19185/1908.5			
3MHz	QPSK	1	0	23.28	23.23	23.48	23.0±1.0		
		1	7	23.19	23.16	23.51			
		1	14	23.32	23.37	23.29			
		22.0±1.0	QPSK	8	0	22.30	22.29	22.45	
				8	4	22.27	22.35	22.56	
				8	7	22.29	22.32	22.42	
				15	0	22.26	22.34	22.46	
	22.0±1.0	16QAM	1	0	22.70	22.69	22.69		
			1	7	22.65	22.69	22.87		
			1	14	22.48	22.68	22.72		
			21.5±1.0	16QAM	8	0	21.49	21.44	21.75
					8	4	21.64	21.65	21.84
					8	7	21.59	21.64	21.88
			21.0±1.0	15	0	21.43	21.55	21.67	





LTE FDD Band 2 ANT 3				Conducted Power(dBm)			
Bandwidth	Modulation	RB size	RB offset	Channel/Frequency			Tune up
				18625/1852.5	18900/1880	19175/1907.5	
5MHz	QPSK	1	0	23.34	23.32	23.47	23.0±1.0
		1	13	23.18	23.45	23.29	
		1	24	23.24	23.20	23.51	
		12	0	22.21	22.24	22.37	22.0±1.0
		12	6	22.14	22.26	22.30	
		12	13	22.15	22.20	22.32	
	25	0	22.09	22.12	22.21	22.0±1.0	
	16QAM	1	0	22.68	22.44	22.46	22.0±1.0
		1	13	22.51	22.28	22.53	
		1	24	22.63	22.45	22.24	
		12	0	21.41	21.28	21.46	21.0±1.0
		12	6	21.30	21.42	21.35	
		12	13	21.27	21.22	21.46	
		25	0	21.28	21.26	21.38	21.0±1.0
Bandwidth	Modulation	RB size	RB offset	Channel/Frequency			Tune up
				18650/1855	18900/1880	19150/1905	
10MHz	QPSK	1	0	23.38	23.26	23.33	23.0±1.0
		1	25	23.11	23.37	23.41	
		1	49	23.23	23.17	23.51	
		25	0	22.31	22.26	22.44	22.0±1.0
		25	13	22.24	22.32	22.38	
		25	25	22.22	22.23	22.46	
		50	0	22.18	22.24	22.31	22.0±1.0
	16QAM	1	0	22.52	22.51	22.69	22.0±1.0
		1	25	22.63	22.58	22.65	
		1	49	22.43	22.47	22.72	
		25	0	21.31	21.38	21.35	21.0±1.0
		25	13	21.43	21.29	21.47	
		25	25	21.30	21.42	21.56	
		50	0	21.20	21.31	21.45	21.0±1.0



LTE FDD Band 2 ANT 3				Conducted Power(dBm)			
Bandwidth	Modulation	RB size	RB offset	Channel/Frequency			Tune up
				18675/1857.5	18900/1880	19125/1902.5	
15MHz	QPSK	1	0	23.39	23.30	23.30	23.0±1.0
		1	38	23.16	23.36	23.39	
		1	74	23.29	23.23	23.40	
		36	0	22.37	22.26	22.42	22.0±1.0
		36	18	22.26	22.28	22.40	
		36	39	22.40	22.33	22.37	
	75	0	22.20	22.25	22.35	22.0±1.0	
	16QAM	1	0	22.57	22.67	22.73	22.5±1.0
		1	38	22.51	22.73	22.81	
		1	74	22.67	22.84	22.79	
		36	0	21.35	21.48	21.71	21.0±1.0
		36	18	21.24	21.58	21.69	
		36	39	21.41	21.56	21.57	
		75	0	21.25	21.43	21.54	21.0±1.0
Bandwidth	Modulation	RB size	RB offset	Channel/Frequency			Tune up
20MHz	QPSK	1	0	23.27	23.34	23.31	23.0±1.0
		1	50	23.36	23.46	23.40	
		1	99	23.23	23.43	23.46	
		50	0	22.23	22.25	22.39	22.0±1.0
		50	25	22.34	22.28	22.41	
		50	50	22.26	22.26	22.44	
		100	0	22.23	22.32	22.38	22.0±1.0
	16QAM	1	0	22.50	22.38	22.35	22.0±1.0
		1	50	22.61	22.41	22.56	
		1	99	22.42	22.47	22.51	
		50	0	21.33	21.31	21.54	21.0±1.0
		50	25	21.25	21.32	21.55	
		50	50	21.28	21.37	21.51	
		100	0	21.27	21.39	21.43	21.0±1.0
Bandwidth	Modulation	RB size	RB offset	18700/1860	18900/1880	19100/1900	Tune up



LTE FDD Band 2 ANT 3 P-Sensor ON				Conducted Power(dBm)			
Bandwidth	Modulation	RB size	RB offset	Channel/Frequency			Tune up
				18607/1850.7	18900/1880	19193/1909.3	
1.4MHz	QPSK	1	0	19.99	20.22	19.96	19.5±1.0
		1	3	20.01	20.04	19.95	
		1	5	20.02	20.07	19.90	
		3	0	19.85	19.91	19.94	19.5±1.0
		3	2	19.65	19.74	19.82	
		3	3	19.82	19.85	19.67	
	6	0	19.81	19.72	19.74	19.5±1.0	
	16QAM	1	0	19.94	19.99	19.96	19.5±1.0
		1	3	19.89	19.92	19.80	
		1	5	19.93	19.97	19.94	
		3	0	19.60	19.78	19.62	19.5±1.0
		3	2	19.64	19.70	19.63	
3		3	19.82	19.78	19.70		
6	0	19.67	19.74	19.62	19.5±1.0		
Bandwidth	Modulation	RB size	RB offset	Channel/Frequency			Tune up
				18615/1851.5	18900/1880	19185/1908.5	
3MHz	QPSK	1	0	20.16	19.90	19.82	19.5±1.0
		1	7	20.24	19.97	19.94	
		1	14	19.93	19.89	19.86	
		8	0	19.46	19.69	19.45	19.5±1.0
		8	4	19.62	19.70	19.68	
		8	7	19.74	19.67	19.74	
		15	0	19.58	19.58	19.35	
	16QAM	1	0	19.84	20.05	19.74	19.5±1.0
		1	7	19.97	19.88	19.96	
		1	14	20.03	20.06	19.89	
		8	0	19.46	19.84	19.54	19.5±1.0
		8	4	19.72	19.51	19.36	
		8	7	19.59	19.98	19.62	
		15	0	19.38	19.84	19.58	



LTE FDD Band 2 ANT 3 P-Sensor ON				Conducted Power(dBm)			
Bandwidth	Modulation	RB size	RB offset	Channel/Frequency			Tune up
				18625/1852.5	18900/1880	19175/1907.5	
5MHz	QPSK	1	0	19.91	20.17	19.69	19.5±1.0
		1	13	19.86	20.13	20.22	
		1	24	19.90	19.88	19.88	
		12	0	19.64	19.64	19.69	19.5±1.0
		12	6	19.72	19.74	19.68	
		12	13	19.72	19.77	19.58	
	16QAM	25	0	19.66	19.72	19.61	19.5±1.0
		1	0	19.94	19.37	19.21	19.5±1.0
		1	13	19.93	19.25	19.06	
		1	24	19.89	19.39	19.20	
		12	0	19.77	19.70	19.66	19.5±1.0
		12	6	19.66	19.66	19.66	
		12	13	19.55	19.76	19.56	
		25	0	19.65	19.73	19.86	19.5±1.0
Bandwidth	Modulation	RB size	RB offset	Channel/Frequency			Tune up
				18650/1855	18900/1880	19150/1905	
10MHz	QPSK	1	0	20.05	19.57	19.57	19.5±1.0
		1	25	19.78	19.95	19.73	
		1	49	19.81	19.93	19.87	
		25	0	19.78	19.79	19.70	19.5±1.0
		25	13	19.77	19.85	19.77	
		25	25	19.88	19.80	19.77	
		50	0	19.74	19.87	19.67	
	16QAM	1	0	19.88	19.81	19.84	19.5±1.0
		1	25	19.78	19.92	19.77	
		1	49	19.81	19.96	20.02	
		25	0	19.88	19.88	19.72	19.5±1.0
		25	13	19.78	19.71	19.81	
		25	25	19.88	19.83	19.73	
		50	0	19.64	19.91	19.67	



LTE FDD Band 2 ANT 3 P-Sensor ON				Conducted Power(dBm)			
Bandwidth	Modulation	RB size	RB offset	Channel/Frequency			Tune up
				18675/1857.5	18900/1880	19125/1902.5	
15MHz	QPSK	1	0	20.19	19.92	19.89	19.5±1.0
		1	38	19.92	20.23	19.89	
		1	74	20.18	20.05	20.07	
		36	0	20.08	20.29	20.04	19.5±1.0
		36	18	20.07	20.13	20.03	
		36	39	20.14	19.90	20.08	
		75	0	19.83	19.98	19.79	19.5±1.0
	16QAM	1	0	20.16	20.06	20.04	19.5±1.0
		1	38	20.25	20.14	20.14	
		1	74	20.22	20.24	19.97	
		36	0	20.07	20.00	20.03	19.5±1.0
		36	18	20.22	20.04	20.10	
		36	39	20.21	19.83	20.06	
		75	0	19.68	19.85	19.69	19.5±1.0
Bandwidth	Modulation	RB size	RB offset	Channel/Frequency			Tune up
				18700/1860	18900/1880	19100/1900	
20MHz	QPSK	1	0	20.08	20.06	19.84	19.5±1.0
		1	50	19.77	20.14	19.83	
		1	99	20.22	20.09	20.18	
		50	0	19.77	19.94	19.76	19.5±1.0
		50	25	19.75	19.93	19.75	
		50	50	19.87	19.78	19.75	
		100	0	19.76	19.82	19.68	19.5±1.0
	16QAM	1	0	19.94	20.22	19.89	19.5±1.0
		1	50	19.95	20.05	20.11	
		1	99	20.22	20.14	20.15	
		50	0	19.91	19.91	19.69	19.5±1.0
		50	25	19.75	19.90	19.68	
		50	50	19.88	19.84	19.75	
		100	0	19.79	19.82	19.74	19.5±1.0



2. LTE Band 4 Conducted Power Test Verdict:

LTE FDD Band 4 ANT 3				Conducted Power(dBm)			Tune up
Bandwidth	Modulation	RB size	RB offset	Channel/Frequency			
				19957/1710.7	20175/1732.5	20393/1754.3	
1.4MHz	QPSK	1	0	23.35	23.43	23.32	23.0±1.0
		1	3	23.17	23.12	23.29	
		1	5	23.30	23.37	23.41	
		3	0	22.42	22.34	22.46	22.0±1.0
		3	2	22.35	22.18	22.39	
		3	3	22.36	22.21	22.37	
	6	0	22.38	22.25	22.33	22.0±1.0	
	16QAM	1	0	22.48	22.58	22.45	22.0±1.0
		1	3	22.57	22.49	22.50	
		1	5	22.61	22.64	22.56	
		3	0	21.43	21.32	21.49	21.0±1.0
		3	2	21.36	21.28	21.41	
		3	3	21.54	21.47	21.38	
		6	0	21.46	21.49	21.43	21.0±1.0
Bandwidth	Modulation	RB size	RB offset	Channel/Frequency			Tune up
3MHz	QPSK	1	0	23.49	23.32	23.56	23.0±1.0
		1	7	23.36	23.39	23.61	
		1	14	23.37	23.25	23.45	
		8	0	22.49	22.28	22.59	22.0±1.0
		8	4	22.49	22.39	22.60	
		8	7	22.51	22.38	22.62	
		15	0	22.42	22.44	22.52	22.0±1.0
	16QAM	1	0	22.82	22.66	22.68	22.0±1.0
		1	7	22.75	22.59	22.76	
		1	14	22.80	22.61	22.53	
		8	0	21.70	21.63	21.82	21.0±1.0
		8	4	21.69	21.59	21.80	
		8	7	21.78	21.69	21.73	
		15	0	21.55	21.53	21.60	21.0±1.0



LTE FDD Band 4 ANT 3				Conducted Power(dBm)			
Bandwidth	Modulation	RB size	RB offset	Channel/Frequency			Tune up
				19975/1712.5	20175/1732.5	20375/1752.5	
5MHz	QPSK	1	0	23.26	23.41	23.53	23.0±1.0
		1	13	23.21	23.18	23.48	
		1	24	23.42	23.43	23.64	
		12	0	22.27	22.29	22.46	22.0±1.0
		12	6	22.29	22.32	22.57	
		12	13	22.39	22.37	22.62	
	25	0	22.35	22.44	22.48	22.0±1.0	
	16QAM	1	0	22.45	22.35	22.47	22.0±1.0
		1	13	22.47	22.51	22.34	
		1	24	22.56	22.44	22.36	
		12	0	21.32	21.33	21.50	21.0±1.0
		12	6	21.27	21.44	21.49	
		12	13	21.28	21.38	21.46	
	25	0	21.21	21.25	21.37	21.0±1.0	
Bandwidth	Modulation	RB size	RB offset	Channel/Frequency			Tune up
10MHz	QPSK	1	0	23.49	23.42	23.57	23.0±1.0
		1	25	23.26	23.39	23.72	
		1	49	23.64	23.65	23.58	
		25	0	22.40	22.41	22.51	22.0±1.0
		25	13	22.41	22.32	22.62	
		25	25	22.45	22.37	22.53	
	50	0	22.30	22.34	22.47	22.0±1.0	
	16QAM	1	0	22.68	22.48	22.56	22.0±1.0
		1	25	22.57	22.47	22.61	
		1	49	22.63	22.61	22.63	
		25	0	21.46	21.50	21.48	21.0±1.0
		25	13	21.54	21.50	21.53	
		25	25	21.51	21.39	21.43	
	50	0	21.39	21.45	21.42	21.0±1.0	



LTE FDD Band 4 ANT 3				Conducted Power(dBm)			
Bandwidth	Modulation	RB size	RB offset	Channel/Frequency			Tune up
				20025/1717.5	20175/1732.5	20325/1747.5	
15MHz	QPSK	1	0	23.42	23.28	23.42	23.0±1.0
		1	38	23.34	23.33	23.62	
		1	74	23.51	23.40	23.54	
		36	0	22.43	22.57	22.62	22.0±1.0
		36	18	22.36	22.68	22.65	
		36	39	22.48	22.55	22.47	
		75	0	22.41	22.42	22.58	22.0±1.0
	16QAM	1	0	22.56	22.73	22.59	22.0±1.0
		1	38	22.70	22.66	22.68	
		1	74	22.74	22.59	22.63	
		36	0	21.63	21.56	21.63	21.0±1.0
		36	18	21.49	21.68	21.70	
		36	39	21.69	21.64	21.62	
		75	0	21.57	21.48	21.56	21.0±1.0
Bandwidth	Modulation	RB size	RB offset	Channel/Frequency			Tune up
				20050/1720	20175/1732.5	20300/1745	
20MHz	QPSK	1	0	23.51	23.49	23.53	23.0±1.0
		1	50	23.40	23.44	23.60	
		1	99	23.67	23.72	23.73	
		50	0	22.43	22.42	22.61	22.0±1.0
		50	25	22.45	22.39	22.64	
		50	50	22.52	22.45	22.52	
		100	0	22.35	22.37	22.46	22.0±1.0
	16QAM	1	0	22.68	22.63	22.69	22.0±1.0
		1	50	22.71	22.69	22.59	
		1	99	22.54	22.76	22.72	
		50	0	21.45	21.46	21.60	21.0±1.0
		50	25	21.45	21.39	21.65	
		50	50	21.53	21.45	21.54	
		100	0	21.36	21.41	21.43	21.0±1.0





LTE FDD Band 4 ANT 3 P-Sensor ON				Conducted Power(dBm)					
Bandwidth	Modulation	RB size	RB offset	Channel/Frequency			Tune up		
				19957/1710.7	20175/1732.5	20393/1754.3			
1.4MHz	QPSK	1	0	19.96	20.05	19.98	19.5±1.0		
		1	3	20.06	20.04	19.97			
		1	5	20.12	20.13	20.07			
		3	0	19.68	19.66	19.87	19.5±1.0		
		3	2	19.76	19.60	19.78			
		3	3	19.80	19.81	19.83			
	16QAM	16QAM	6	0	19.76	19.87	19.82	19.5±1.0	
			1	0	19.89	19.88	20.13	19.5±1.0	
			1	3	19.74	19.73	19.60		
			1	5	20.08	19.77	19.73		
			3	0	19.99	19.72	19.76	19.5±1.0	
			3	2	19.91	19.91	19.74		
			3	3	19.87	19.85	19.88		
			6	0	19.51	19.67	19.87	19.5±1.0	
Bandwidth	Modulation	RB size	RB offset	Channel/Frequency			Tune up		
				19965/1711.5	20175/1732.5	20385/1753.5			
3MHz	QPSK	1	0	19.96	20.17	20.18	19.5±1.0		
		1	7	19.92	19.96	20.12			
		1	14	20.14	19.96	20.07			
		16QAM	16QAM	8	0	19.69	19.68	19.62	19.5±1.0
				8	4	19.81	19.87	19.75	
				8	7	19.82	19.92	19.71	
				15	0	19.88	19.95	19.78	19.5±1.0
	1			0	20.21	20.10	20.06	19.5±1.0	
	1			7	20.04	20.02	20.04		
	1			14	19.90	20.03	20.13		
	8	0	19.67	19.85	19.72	19.5±1.0			
	8	4	19.67	19.78	19.62				
	8	7	19.71	19.68	19.76				
	15	0	19.65	19.78	19.69	19.5±1.0			



LTE FDD Band 4 ANT 3 P-Sensor ON				Conducted Power(dBm)			
Bandwidth	Modulation	RB size	RB offset	Channel/Frequency			Tune up
				19975/1712.5	20175/1732.5	20375/1752.5	
5MHz	QPSK	1	0	19.53	19.60	19.72	19.5±1.0
		1	13	19.56	19.73	20.03	
		1	24	19.82	19.94	19.99	
		12	0	19.70	19.70	19.85	19.5±1.0
		12	6	19.68	19.69	19.91	
		12	13	19.83	19.79	19.93	
		25	0	19.67	19.84	19.98	19.5±1.0
	16QAM	1	0	19.33	19.25	19.24	19.5±1.0
		1	13	19.26	19.30	19.37	
		1	24	19.37	19.40	19.50	
		12	0	19.84	19.77	19.78	19.5±1.0
		12	6	19.61	19.76	19.86	
		12	13	19.84	19.88	19.91	
		25	0	19.83	19.86	19.91	19.5±1.0
Bandwidth	Modulation	RB size	RB offset	Channel/Frequency			Tune up
				20000/1715	20175/1732.5	20350/1750	
10MHz	QPSK	1	0	19.79	19.60	19.78	19.5±1.0
		1	25	19.67	19.77	19.82	
		1	49	20.05	20.13	19.97	
		25	0	19.75	19.79	19.87	19.5±1.0
		25	13	19.74	19.79	19.82	
		25	25	19.84	19.75	19.99	
		50	0	19.85	19.85	19.89	19.5±1.0
	16QAM	1	0	19.87	20.01	20.11	19.5±1.0
		1	25	19.99	19.86	19.82	
		1	49	19.96	20.19	20.14	
		25	0	19.78	19.81	19.91	19.5±1.0
		25	13	19.84	19.81	19.91	
		25	25	19.80	19.90	19.84	
		50	0	19.73	19.83	19.86	19.5±1.0



LTE FDD Band 4 ANT 3 P-Sensor ON				Conducted Power(dBm)			
Bandwidth	Modulation	RB size	RB offset	Channel/Frequency			Tune up
				20025/1717.5	20175/1732.5	20325/1747.5	
15MHz	QPSK	1	0	19.86	19.94	19.95	19.5±1.0
		1	38	19.94	20.01	20.17	
		1	74	20.20	20.23	20.10	
		36	0	19.73	19.81	19.85	19.5±1.0
		36	18	19.84	19.75	19.92	
		36	39	19.86	19.63	19.92	
		75	0	19.77	19.67	19.79	19.5±1.0
	16QAM	1	0	20.00	20.14	20.03	19.5±1.0
		1	38	20.12	20.22	20.15	
		1	74	20.01	20.20	20.09	
		36	0	20.15	19.92	19.95	19.5±1.0
		36	18	19.96	20.15	19.84	
		36	39	20.05	20.12	20.02	
		75	0	19.87	19.94	19.92	19.5±1.0
Bandwidth	Modulation	RB size	RB offset	Channel/Frequency			Tune up
				20050/1720	20175/1732.5	20300/1745	
20MHz	QPSK	1	0	19.81	20.13	20.15	19.5±1.0
		1	50	20.01	20.12	20.12	
		1	99	20.18	20.22	20.19	
		50	0	19.82	19.84	19.92	19.5±1.0
		50	25	19.81	19.82	19.93	
		50	50	19.79	19.69	19.91	
		100	0	19.90	19.76	19.82	19.5±1.0
	16QAM	1	0	20.07	20.06	20.03	19.5±1.0
		1	50	20.09	20.03	20.04	
		1	99	20.14	20.12	20.15	
		50	0	19.70	19.69	19.91	19.5±1.0
		50	25	19.79	19.68	19.96	
		50	50	19.83	19.67	19.87	
		100	0	19.80	19.65	19.94	19.5±1.0



3. LTE Band 5 Conducted Power Test Verdict:

LTE FDD Band 5 ANT 3				Conducted Power(dBm)			Tune up
Bandwidth	Modulation	RB size	RB offset	Channel/Frequency			
				20407/824.7	20525/836.5	20643/848.3	
1.4MHz	QPSK	1	0	23.84	23.97	23.90	23.5±1.0
		1	3	23.76	23.77	23.86	
		1	5	23.81	23.92	23.78	
		3	0	22.83	22.95	22.85	22.5±1.0
		3	2	22.84	22.86	22.79	
		3	3	22.77	22.93	22.96	
	16QAM	6	0	22.78	22.84	22.80	22.5±1.0
		1	0	23.08	23.01	22.93	22.5±1.0
		1	3	22.87	22.92	22.86	
		1	5	22.91	23.11	23.04	
		3	0	22.12	22.21	22.15	21.5±1.0
		3	2	22.20	22.15	22.07	
3	3	22.23	22.17	22.20			
		6	0	22.07	22.09	22.05	21.5±1.0
Bandwidth	Modulation	RB size	RB offset	Channel/Frequency			Tune up
				20415/825.5	20525/836.5	20635/847.5	
3MHz	QPSK	1	0	23.94	23.85	24.02	23.5±1.0
		1	7	23.89	23.76	24.00	
		1	14	24.01	24.10	24.06	
		8	0	22.93	22.81	22.92	22.5±1.0
		8	4	23.02	22.91	23.01	
		8	7	23.08	22.89	22.99	
	16QAM	15	0	22.97	22.92	23.05	22.5±1.0
		1	0	23.01	23.12	23.08	22.5±1.0
		1	7	23.13	22.91	23.05	
		1	14	23.06	23.07	23.16	
		8	0	22.25	22.27	22.25	22.0±1.0
		8	4	22.26	22.07	22.24	
8	7	22.22	22.31	22.41			
		15	0	22.09	22.05	22.18	21.5±1.0



LTE FDD Band 5 ANT 3				Conducted Power(dBm)			
Bandwidth	Modulation	RB size	RB offset	Channel/Frequency			Tune up
				20425/826.5	20525/836.5	20625/846.5	
5MHz	QPSK	1	0	23.98	23.83	23.92	23.5±1.0
		1	13	23.81	23.84	23.67	
		1	24	23.78	23.73	23.97	
		12	0	22.70	22.87	22.77	22.5±1.0
		12	6	22.78	22.80	22.69	
		12	13	22.84	22.85	22.81	
	25	0	22.80	22.78	22.79	22.5±1.0	
	16QAM	1	0	22.76	22.80	22.93	22.5±1.0
		1	13	22.71	22.64	22.80	
		1	24	22.84	22.75	22.89	
		12	0	21.87	21.96	21.89	21.5±1.0
		12	6	21.75	21.87	21.98	
		12	13	21.96	21.80	22.02	
	25	0	21.92	21.85	21.87	21.5±1.0	
Bandwidth	Modulation	RB size	RB offset	Channel/Frequency			Tune up
10MHz	QPSK	1	0	23.98	24.05	23.94	23.5±1.0
		1	25	23.79	24.11	23.87	
		1	49	24.06	24.03	24.03	
		25	0	22.91	22.89	22.90	22.5±1.0
		25	13	22.92	22.91	22.85	
		25	25	22.97	22.92	22.89	
		50	0	22.84	22.84	22.86	
	16QAM	1	0	23.08	23.06	22.95	22.5±1.0
		1	25	22.93	22.97	23.09	
		1	49	23.11	23.14	22.86	
		25	0	21.93	21.93	21.98	21.5±1.0
		25	13	21.93	22.02	21.91	
		25	25	21.97	22.12	22.02	
		50	0	21.90	21.97	21.90	



4. LTE Band 12 Conducted Power Test Verdict:

LTE FDD Band 12 ANT 3				Conducted Power(dBm)			
Bandwidth	Modulation	RB size	RB offset	Channel/Frequency			Tune up
				23017/699.7	23095/707.5	23173/715.3	
1.4MHz	QPSK	1	0	23.87	23.94	23.86	23.5±1.0
		1	3	23.79	23.77	23.81	
		1	5	23.93	23.84	24.02	
		3	0	22.95	22.96	22.95	22.5±1.0
		3	2	22.78	23.04	23.07	
		3	3	22.93	22.87	23.01	
	6	0	22.83	22.90	22.82	22.5±1.0	
	16QAM	1	0	23.05	22.82	22.84	22.5±1.0
		1	3	22.99	22.94	23.04	
		1	5	23.10	23.11	23.06	
		3	0	21.81	21.85	21.92	21.5±1.0
		3	2	21.90	21.94	21.91	
		3	3	21.84	21.92	22.06	
	6	0	21.83	21.93	21.93	21.5±1.0	
Bandwidth	Modulation	RB size	RB offset	Channel/Frequency			Tune up
				23025/700.5	23095/707.5	23165/714.5	
3MHz	QPSK	1	0	23.96	23.93	24.00	23.5±1.0
		1	7	23.83	23.82	24.07	
		1	14	23.98	23.87	23.96	
		8	0	22.85	22.83	22.93	22.5±1.0
		8	4	22.94	22.85	23.02	
		8	7	22.92	22.83	23.00	
	15	0	22.84	22.78	22.94	22.5±1.0	
	16QAM	1	0	23.09	23.05	23.06	22.5±1.0
		1	7	23.14	23.16	23.19	
		1	14	23.03	23.07	23.13	
		8	0	22.16	22.07	22.17	21.5±1.0
		8	4	22.05	22.12	22.14	
		8	7	21.97	22.06	22.21	
	15	0	21.85	21.98	22.04	21.5±1.0	



LTE FDD Band 12 ANT 3				Conducted Power(dBm)			
Bandwidth	Modulation	RB size	RB offset	Channel/Frequency			Tune up
				23035/701.5	23095/707.5	23155/713.5	
5MHz	QPSK	1	0	23.95	23.84	23.97	23.5±1.0
		1	13	23.79	23.77	23.87	
		1	24	22.85	23.88	23.83	
		12	0	22.66	22.83	22.85	22.5±1.0
		12	6	22.75	22.84	22.87	
		12	13	22.76	22.74	22.77	
	25	0	22.80	22.81	22.80	22.5±1.0	
	16QAM	1	0	23.05	23.03	22.96	22.5±1.0
		1	13	22.86	22.94	23.10	
		1	24	22.99	22.86	23.06	
		12	0	21.83	21.82	21.95	21.5±1.0
		12	6	21.72	21.92	21.96	
		12	13	21.90	21.79	21.74	
	25	0	21.85	21.89	21.85	21.5±1.0	
Bandwidth	Modulation	RB size	RB offset	Channel/Frequency			Tune up
				23060/704	23095/707.5	23130/711	
10MHz	QPSK	1	0	23.96	23.89	23.94	23.5±1.0
		1	25	23.85	23.84	23.86	
		1	49	24.02	23.99	24.05	
		25	0	22.77	22.82	22.85	22.5±1.0
		25	13	22.80	22.76	22.81	
		25	25	22.76	22.85	22.80	
	50	0	22.71	22.76	22.78	22.5±1.0	
	16QAM	1	0	22.98	22.95	23.01	22.5±1.0
		1	25	22.90	23.06	23.05	
		1	49	23.07	23.00	23.10	
		25	0	21.88	21.85	21.96	21.5±1.0
		25	13	21.89	21.87	22.03	
		25	25	21.79	21.95	21.96	
	50	0	21.73	21.82	21.91	21.5±1.0	



5. LTE Band 66 Conducted Power Test Verdict:

LTE FDD Band 66 ANT 3				Conducted Power(dBm)			
Bandwidth	Modulation	RB size	RB offset	Channel/Frequency			Tune up
				131979/1710.7	132322/1745.0	132665/1779.3	
1.4MHz	QPSK	1	0	23.40	23.58	23.49	23.0±1.0
		1	3	23.34	23.38	23.28	
		1	5	23.45	23.63	23.43	
		3	0	22.35	22.41	22.37	22.0±1.0
		3	2	22.18	22.40	22.32	
		3	3	22.24	22.39	22.48	
		6	0	22.21	22.34	22.33	22.0±1.0
	16QAM	1	0	22.47	22.47	22.48	22.0±1.0
		1	3	22.38	22.52	22.52	
		1	5	22.50	22.72	22.59	
		3	0	21.46	21.54	21.50	21.0±1.0
		3	2	21.32	21.53	21.39	
		3	3	21.53	21.50	21.41	
		6	0	21.29	21.38	21.32	21.0±1.0
Bandwidth	Modulation	RB size	RB offset	Channel/Frequency			Tune up
				131987/1711.5	12322/1745.0	132657/1778.5	
3MHz	QPSK	1	0	23.42	23.54	23.40	23.0±1.0
		1	7	23.32	23.48	23.36	
		1	14	23.38	23.45	23.39	
		8	0	22.37	22.46	22.45	22.0±1.0
		8	4	22.35	22.48	22.46	
		8	7	22.29	22.41	22.51	
		15	0	22.27	22.46	22.49	22.0±1.0
	16QAM	1	0	22.44	22.60	22.47	22.0±1.0
		1	7	22.57	22.51	22.67	
		1	14	22.43	22.49	22.57	
		8	0	21.56	21.56	21.77	21.5±1.0
		8	4	21.46	21.69	21.75	
		8	7	21.47	21.61	21.81	
		15	0	21.48	21.50	21.67	21.0±1.0





LTE FDD Band 66 ANT 3				Conducted Power(dBm)			
Bandwidth	Modulation	RB size	RB offset	Channel/Frequency			Tune up
				131997/1712.5	132322/1745.0	132647/1777.5	
5MHz	QPSK	1	0	23.38	23.51	23.42	23.0±1.0
		1	13	23.30	23.39	23.28	
		1	24	23.25	23.46	23.39	
		12	0	22.38	22.44	22.38	22.0±1.0
		12	6	22.20	22.51	22.31	
		12	13	22.42	22.46	22.46	
		25	0	22.28	22.43	22.31	22.0±1.0
	16QAM	1	0	22.48	22.51	22.46	22.0±1.0
		1	13	22.47	22.49	22.48	
		1	24	22.35	22.41	22.52	
		12	0	21.23	21.40	21.42	21.0±1.0
		12	6	21.10	21.42	21.41	
		12	13	21.18	21.38	21.36	
		25	0	21.18	21.36	21.31	21.0±1.0
Bandwidth	Modulation	RB size	RB offset	Channel/Frequency			Tune up
10MHz	QPSK	1	0	23.40	23.47	23.33	23.0±1.0
		1	25	23.27	23.62	23.34	
		1	49	23.58	23.40	23.42	
		25	0	22.36	22.46	22.47	22.0±1.0
		25	13	22.38	22.55	22.49	
		25	25	22.40	22.50	22.46	
		50	0	22.36	22.47	22.37	22.0±1.0
	16QAM	1	0	22.60	22.78	22.78	22.0±1.0
		1	25	22.54	22.73	22.66	
		1	49	22.76	22.89	22.83	
		25	0	21.54	21.67	21.62	21.0±1.0
		25	13	21.62	21.60	21.52	
		25	25	21.57	21.57	21.54	
		50	0	21.34	21.48	21.57	21.0±1.0



LTE FDD Band 66 ANT 3				Conducted Power(dBm)			
Bandwidth	Modulation	RB size	RB offset	Channel/Frequency			Tune up
				132047/1717.5	132322/1745.0	132597/1772.5	
15MHz	QPSK	1	0	23.43	23.53	23.42	23.0±1.0
		1	38	23.39	23.51	23.27	
		1	74	23.40	23.34	23.54	
		36	0	22.23	22.38	22.35	22.0±1.0
		36	18	22.34	22.40	22.41	
		36	39	22.40	22.31	22.28	
		75	0	22.24	22.36	22.23	22.0±1.0
	16QAM	1	0	22.43	22.59	22.45	22.0±1.0
		1	38	22.51	22.67	22.57	
		1	74	22.46	22.57	22.60	
		36	0	21.53	21.69	21.74	21.0±1.0
		36	18	21.62	21.71	21.74	
		36	39	21.66	21.68	21.68	
		75	0	21.48	21.55	21.52	21.0±1.0
Bandwidth	Modulation	RB size	RB offset	Channel/Frequency			Tune up
				132072/1720	132322/1745.0	132572/1770	
20MHz	QPSK	1	0	23.52	23.37	23.48	23.0±1.0
		1	50	23.36	23.43	23.32	
		1	99	23.63	23.57	23.60	
		50	0	22.39	22.53	22.42	22.0±1.0
		50	25	22.31	22.50	22.34	
		50	50	22.41	22.57	22.42	
		100	0	22.33	22.48	22.35	22.0±1.0
	16QAM	1	0	22.66	22.65	22.71	22.0±1.0
		1	50	22.43	22.73	22.64	
		1	99	22.51	22.64	22.68	
		50	0	21.39	21.56	21.53	21.0±1.0
		50	25	21.42	21.49	21.45	
		50	50	21.40	21.61	21.37	
		100	0	21.35	21.44	21.32	21.0±1.0



LTE FDD Band 66 ANT 3 P-Sensor ON				Conducted Power(dBm)			
Bandwidth	Modulation	RB size	RB offset	Channel/Frequency			Tune up
				131979/1710.7	132322/1745.0	132665/1779.3	
1.4MHz	QPSK	1	0	19.99	20.20	20.12	19.5±1.0
		1	3	20.14	20.08	20.07	
		1	5	20.20	20.21	20.13	
		3	0	19.95	19.93	20.01	19.5±1.0
		3	2	19.95	19.91	20.03	
		3	3	19.98	19.87	19.92	
	6	0	18.95	19.82	19.79	19.5±1.0	
	16QAM	1	0	19.95	20.04	20.07	19.5±1.0
		1	3	19.83	19.84	19.93	
		1	5	19.85	19.62	19.72	
		3	0	19.62	19.79	19.72	19.5±1.0
		3	2	19.58	19.69	19.65	
		3	3	19.85	19.70	19.75	
	6	0	19.69	19.57	19.62	19.5±1.0	
Bandwidth	Modulation	RB size	RB offset	Channel/Frequency			Tune up
				131987/1711.5	12322/1745.0	132657/1778.5	
3MHz	QPSK	1	0	19.85	20.06	19.98	19.5±1.0
		1	7	20.07	20.01	20.00	
		1	14	20.22	20.23	20.15	
		8	0	19.92	19.90	19.98	19.5±1.0
		8	4	19.76	19.72	19.84	
		8	7	20.07	19.96	20.01	
	15	0	18.75	19.62	19.59	19.5±1.0	
	16QAM	1	0	19.95	20.04	20.07	19.5±1.0
		1	7	19.64	19.65	19.74	
		1	14	19.99	19.76	19.86	
		8	0	19.44	19.61	19.54	19.5±1.0
		8	4	19.68	19.79	19.75	
		8	7	19.85	19.70	19.75	
	15	0	19.69	19.57	19.62	19.5±1.0	



LTE FDD Band 66 ANT 3 P-Sensor ON				Conducted Power(dBm)			
Bandwidth	Modulation	RB size	RB offset	Channel/Frequency			Tune up
				131997/1712.5	132322/1745.0	132647/1777.5	
5MHz	QPSK	1	0	19.81	20.02	19.94	19.5±1.0
		1	13	20.14	20.08	20.07	
		1	24	20.17	20.13	20.10	
		12	0	19.90	19.88	19.96	19.5±1.0
		12	6	20.14	20.10	20.02	
		12	13	20.03	19.92	19.97	
		25	0	19.15	20.02	19.99	19.5±1.0
	16QAM	1	0	19.90	19.99	20.02	19.5±1.0
		1	13	19.71	19.72	19.81	
		1	24	19.89	19.66	19.76	
		12	0	19.62	19.79	19.72	19.5±1.0
		12	6	19.62	19.73	19.69	
		12	13	19.78	19.63	19.68	
		25	0	19.72	19.60	19.65	19.5±1.0
Bandwidth	Modulation	RB size	RB offset	Channel/Frequency			Tune up
				132022/1715	132322/1745.0	132622/1775	
10MHz	QPSK	1	0	20.05	20.06	20.08	19.5±1.0
		1	25	20.12	20.10	20.15	
		1	49	20.04	20.05	19.97	
		25	0	19.93	19.91	19.99	19.5±1.0
		25	13	19.91	19.87	19.99	
		25	25	20.18	20.07	20.12	
		50	0	19.01	19.88	19.85	19.5±1.0
	16QAM	1	0	19.80	19.89	19.92	19.5±1.0
		1	25	19.68	19.69	19.78	
		1	49	19.85	19.62	19.72	
		25	0	19.60	19.77	19.70	19.5±1.0
		25	13	19.46	19.57	19.53	
		25	25	19.93	19.78	19.83	
		50	0	19.67	19.55	19.60	19.5±1.0



LTE FDD Band 66 ANT 3 P-Sensor ON				Conducted Power(dBm)			
Bandwidth	Modulation	RB size	RB offset	Channel/Frequency			Tune up
				132047/1717.5	132322/1745.0	132597/1772.5	
15MHz	QPSK	1	0	19.80	20.01	19.93	19.5±1.0
		1	38	20.15	20.09	20.08	
		1	74	20.09	20.10	20.02	
		36	0	19.91	19.89	19.97	19.5±1.0
		36	18	19.87	19.83	19.95	
		36	39	20.13	20.02	20.07	
		75	0	18.79	19.66	19.63	19.5±1.0
	16QAM	1	0	19.81	19.90	19.93	19.5±1.0
		1	38	20.01	20.02	20.11	
		1	74	19.74	19.51	19.61	
		36	0	19.48	19.65	19.58	19.5±1.0
		36	18	19.55	19.66	19.62	
		36	39	19.91	19.76	19.81	
		75	0	19.80	19.68	19.73	19.5±1.0
Bandwidth	Modulation	RB size	RB offset	Channel/Frequency			Tune up
				132072/1720	132322/1745.0	132572/1770	
20MHz	QPSK	1	0	20.07	20.18	20.10	19.5±1.0
		1	50	19.99	19.93	19.92	
		1	99	20.09	20.04	20.12	
		50	0	20.12	20.10	20.04	19.5±1.0
		50	25	19.88	19.84	19.96	
		50	50	19.87	19.76	19.81	
		100	0	18.87	19.74	19.71	19.5±1.0
	16QAM	1	0	19.77	19.86	19.89	19.5±1.0
		1	50	19.84	19.85	19.94	
		1	99	19.76	19.53	19.63	
		50	0	19.66	19.83	19.76	19.5±1.0
		50	25	19.40	19.51	19.47	
		50	50	19.67	19.52	19.57	
		100	0	19.83	19.71	19.76	19.5±1.0



## 8.3 WIFI Conducted Power

## Wi-Fi 2.4G Output power ANT 2

2.4G WI-FI Channel/Freq.(MHz)	Output Power (dBm)		
	802.11b	802.11g	802.11n(HT20)
1/2412.0	16.52	14.99	14.98
6/2437.0	16.57	15.08	14.97
11/2462.0	16.85	15.39	15.40

2.4G WI-FI Channel/Freq.(MHz)	Output Power (dBm)
	802.11n(HT40)
3/2422.0	15.23
6/2437.0	15.20
9/2452.0	14.80

## 8.4 Bluetooth Output Power ANT 2

Channel	Frequency (MHz)	BT Output Power(dBm)		
		GFSK	$\pi/4$ -DQPSK	8-DPSK
CH 0	2402	7.54	6.89	7.04
CH 39	2441	7.74	7.06	7.27
CH 78	2480	6.25	5.52	5.79

Channel	Frequency (MHz)	BLE Output Power(dBm)
		1M(GFSK)
CH 0	2402	1.24
CH 19	2440	1.47
CH 39	2480	0.40

**Note:**

- Per KDB248227 D01 v02r02, choose the highest output power channel to test SAR and determine further SAR exclusion
- For each frequency band, testing at higher data rates and higher order modulations is not required when the maximum average output power for each of these configurations is less than 1/4dB higher than those measured at lowest data rate
- Per KDB248227 D01 v02r02, 802.11g /11n-HT20/11n-HT40 is not required. . When the highest reported SAR for DSSS is adjusted by the ratio of OFDM to DSSS specified maximum output power and the adjusted SAR is  $\leq 1.2\text{W/Kg}$ . Thus the SAR can be excluded.

### 9. Antenna Location:



Antenna	Test Band
ANT 2	2.4GWIFI, BT
ANT 3	WCDMA 850 / 1700 / 1900 ,LTE Band 2 / 4 / 5 / 12 / 66



Antenna-to-User (Edge Side) distance (mm):

Antenna	Front	Back	Left	Right	Top	Bottom
ANT 2	<25	<25	<25	>25	<25	>25
ANT 3	<25	<25	<25	<25	>25	<25

Note:

1. Overall (Length x Width x High): 118 mm x 62 mm x 22 mm
2. Overall Diagonal: 123 mm

The Body SAR measurement positions of each band are as below:

Antenna	Front	Back	Left	Right	Top	Bottom
ANT 2 Body	Yes	Yes	Yes	No	Yes	No
ANT 3 Body	Yes	Yes	Yes	Yes	No	Yes

Note:

1. According to KDB 941225 D06 v02r01, when antenna-to-edge>2.5cm, SAR is not required..
2. The other Frequencies were measured at the worst position





### 10. Scaling Factor calculation

Operation Mode	Channel /Frequency	Output Power(dBm)	Tune up Power in tolerance (dBm)	Max. Tune up(dBm)	Scaling Factor
WCDMA 850 ANT 3	4132/826.4	23.01	22.5 ±1.0	23.50	1.119
	4183/836.6	22.95	22.5 ±1.0	23.50	1.135
	4233/846.6	23.08	22.5 ±1.0	23.50	1.102
WCDMA 1700 ANT 3	1312/1712.4	22.95	22.5 ±1.0	23.50	1.135
	1413/1732.6	23.02	22.5 ±1.0	23.50	1.117
	1513/1752.6	23.15	22.5 ±1.0	23.50	1.084
WCDMA 1700 ANT 3 P-Sensor ON	1312/1712.4	19.65	19.0 ±1.0	20.00	1.084
	1413/1732.6	19.55	19.0 ±1.0	20.00	1.109
	1513/1752.6	19.73	19.0 ±1.0	20.00	1.064
WCDMA 1900 ANT 3	9262/1852.4	22.98	22.5 ±1.0	23.50	1.127
	9400/1880.0	23.12	22.5 ±1.0	23.50	1.091
	9538/1907.6	23.08	22.5 ±1.0	23.50	1.102
WCDMA 1900 ANT 3 P-Sensor ON	9262/1852.4	19.74	19.0 ±1.0	20.00	1.062
	9400/1880.0	19.75	19.0 ±1.0	20.00	1.059
	9538/1907.6	19.67	19.0 ±1.0	20.00	1.079
LTE B2 20MHz 1RB#0 ANT3	18700/1860.0	23.27	23.0 ±1.0	24.00	1.183
	18900/1880.0	23.34	23.0 ±1.0	24.00	1.164
	19100/1900.0	23.31	23.0 ±1.0	24.00	1.172
LTE B2 20MHz 50RB#0 ANT3	18700/1860.0	22.23	22.0 ±1.0	23.00	1.194
	18900/1880.0	22.25	22.0 ±1.0	23.00	1.189
	19100/1900.0	22.39	22.0 ±1.0	23.00	1.151
LTE B2 20MHz 1RB#0 ANT3 P-Sensor ON	18700/1860.0	20.08	19.5 ±1.0	20.50	1.102
	18900/1880.0	20.06	19.5 ±1.0	20.50	1.107
	19100/1900.0	19.84	19.5 ±1.0	20.50	1.164
LTE B2 20MHz 50RB#0 ANT3 P-Sensor ON	18700/1860.0	19.77	19.5 ±1.0	20.50	1.183
	18900/1880.0	19.94	19.5 ±1.0	20.50	1.138
	19100/1900.0	19.76	19.5 ±1.0	20.50	1.186
LTE B4 20MHz 1RB#0 ANT3	20050/1720.0	23.51	23.0 ±1.0	24.00	1.119
	20175/1732.5	23.49	23.0 ±1.0	24.00	1.125
	20300/1745.0	23.53	23.0 ±1.0	24.00	1.114
LTE B4 20MHz 50RB#0 ANT3	20050/1720.0	22.43	22.0 ±1.0	23.00	1.140
	20175/1732.5	22.42	22.0 ±1.0	23.00	1.143
	20300/1745.0	22.61	22.0 ±1.0	23.00	1.094



LTE B4 20MHz 1RB#0 ANT3 P-Sensor ON	20050/1720.0	19.81	19.5 ± 1.0	20.50	1.172
	20175/1732.5	20.13	19.5 ± 1.0	20.50	1.089
	20300/1745.0	20.15	19.5 ± 1.0	20.50	1.084
LTE B4 20MHz 50RB#0 ANT3 P-Sensor ON	20050/1720.0	19.82	19.5 ± 1.0	20.50	1.169
	20175/1732.5	19.84	19.5 ± 1.0	20.50	1.164
	20300/1745.0	19.92	19.5 ± 1.0	20.50	1.143
LTE B5 10MHz 1RB#0	20450/829.0	23.98	23.5 ± 1.0	24.50	1.127
	20525/836.5	24.05	23.5 ± 1.0	24.50	1.109
	20600/844.0	23.94	23.5 ± 1.0	24.50	1.138
LTE B5 10MHz 25RB#0	20450/829.0	22.91	22.5 ± 1.0	23.50	1.146
	20525/836.5	22.89	22.5 ± 1.0	23.50	1.151
	20600/844.0	22.90	22.5 ± 1.0	23.50	1.148
LTE B12 10MHz 1RB#0	23060/704.0	23.96	23.5 ± 1.0	24.50	1.132
	23095/707.5	23.89	23.5 ± 1.0	24.50	1.151
	23130/711.0	23.94	23.5 ± 1.0	24.50	1.138
LTE B12 10MHz 25RB#0	23060/704.0	22.77	22.5 ± 1.0	23.50	1.183
	23095/707.5	22.82	22.5 ± 1.0	23.50	1.169
	23130/711.0	22.85	22.5 ± 1.0	23.50	1.161
LTE B66 20MHz 1RB#0 ANT3	132072/1720.0	23.52	23.0 ± 1.0	24.00	1.117
	132322/1745.0	23.37	23.0 ± 1.0	24.00	1.156
	132572/1770.0	23.48	23.0 ± 1.0	24.00	1.127
LTE B66 20MHz 50RB#0 ANT3	132072/1720.0	22.39	22.0 ± 1.0	23.00	1.151
	132322/1745.0	22.53	22.0 ± 1.0	23.00	1.114
	132572/1770.0	22.42	22.0 ± 1.0	23.00	1.143
LTE B66 20MHz 1RB#0 ANT3 P-Sensor ON	132072/1720.0	20.07	19.5 ± 1.0	20.50	1.104
	132322/1745.0	20.18	19.5 ± 1.0	20.50	1.076
	132572/1770.0	20.10	19.5 ± 1.0	20.50	1.096
LTE B66 20MHz 50RB#0 ANT3 P-Sensor ON	132072/1720.0	20.12	19.5 ± 1.0	20.50	1.091
	132322/1745.0	20.10	19.5 ± 1.0	20.50	1.096
	132572/1770.0	20.04	19.5 ± 1.0	20.50	1.112
WIFI 2.4G 802.11b ANT 2	1/2412.0	16.52	16.5 ± 1.0	17.50	1.253
	6/2437.0	16.57	16.5 ± 1.0	17.50	1.239
	11/2462.0	16.85	16.5 ± 1.0	17.50	1.161
BT ANT 2	0/2402.0	7.54	7.0 ± 1.0	8.00	1.112
	39/2441.0	7.74	7.0 ± 1.0	8.00	1.062
	78/2480.0	6.25	7.0 ± 1.0	8.00	1.496

Note: for LTE power tolerance, only QPSK modulation mode was provide here.



# 11. Test Results

## Results overview of WCDMA850

ANT 3

Head	Channel /Frequency	Mode	SAR Value (W/kg)1-g	Power drift(%)	Scaled Factor	Scaled SAR (W/Kg)1-g	Limit (W/kg)	SAR Plot.
Right Cheek	4183/836.6	RMC	0.331	0.54	1.135	0.376	1.6	/
Right Tilted	4183/836.6	RMC	0.135	-3.16	1.135	0.153	1.6	/
Left Cheek	4183/836.6	RMC	<b>0.453</b>	-0.79	1.135	<b>0.514</b>	1.6	1
Left Tilted	4183/836.6	RMC	0.187	-1.26	1.135	0.212	1.6	/
Body-worn(10mm)	Channel /Frequency	Mode	SAR Value (W/kg)1-g	Power drift(%)	Scaled Factor	Scaled SAR (W/Kg)1-g	Limit (W/kg)	SAR Plot.
Front Upward	4183/836.6	RMC	0.311	1.26	1.135	0.353	1.6	/
Back Upward	4183/836.6	RMC	<b>0.899</b>	-2.06	1.135	<b>1.020</b>	1.6	2
<b>Back Upward Repeat</b>	<b>4183/836.6</b>	<b>RMC</b>	<b>0.882</b>	<b>0.82</b>	<b>1.135</b>	<b>1.001</b>	<b>1.6</b>	/
Back Upward	4132/826.4	RMC	0.878	-3.01	1.119	0.982	1.6	/
Back Upward	4233/846.6	RMC	0.743	-0.28	1.102	0.819	1.6	/
Hotspot(10mm)	Channel /Frequency	Mode	SAR Value (W/kg)1-g	Power drift(%)	Scaled Factor	Scaled SAR (W/Kg)1-g	Limit (W/kg)	SAR Plot.
Front Upward	4183/836.6	RMC	0.311	1.26	1.135	0.353	1.6	/
Back Upward	4183/836.6	RMC	<b>0.899</b>	-2.06	1.135	<b>1.020</b>	1.6	2
<b>Back Upward Repeat</b>	<b>4183/836.6</b>	<b>RMC</b>	<b>0.882</b>	<b>0.82</b>	<b>1.135</b>	<b>1.001</b>	<b>1.6</b>	/
Left	4183/836.6	RMC	0.366	2.03	1.135	0.415	1.6	/
Right	4183/836.6	RMC	0.355	-0.97	1.135	0.403	1.6	/
Bottom	4183/836.6	RMC	0.124	-1.73	1.135	0.141	1.6	/
Back Upward	4132/826.4	RMC	0.878	-3.01	1.119	0.982	1.6	/
Back Upward	4233/846.6	RMC	0.743	-0.28	1.102	0.819	1.6	/



**Results overview of WCDMA1700**

ANT 3

Head	Channel /Frequency	Mode	SAR Value (W/kg)1-g	Power drift(%)	Scaled Factor	Scaled SAR (W/Kg)1-g	Limit (W/kg)	SAR Plot.
Right Cheek	1413/1732.6	RMC	0.278	-0.63	1.117	0.311	1.6	/
Right Tilted	1413/1732.6	RMC	0.115	-1.87	1.117	0.128	1.6	/
Left Cheek	1413/1732.6	RMC	<b>0.474</b>	2.21	1.117	<b>0.529</b>	1.6	3
Left Tilted	1413/1732.6	RMC	0.172	-0.36	1.117	0.192	1.6	/
Body-worn(10mm)	Channel /Frequency	Mode	SAR Value (W/kg)1-g	Power drift(%)	Scaled Factor	Scaled SAR (W/Kg)1-g	Limit (W/kg)	SAR Plot.
Front Upward P-Sensor ON	1413/1732.6	RMC	0.182	0.54	1.109	0.202	1.6	/
Back Upward P-Sensor ON	1413/1732.6	RMC	<b>0.902</b>	-1.77	1.109	<b>1.000</b>	1.6	4
<b>Back Upward P-Sensor ON Repeat</b>	<b>1413/1732.6</b>	<b>RMC</b>	<b>0.889</b>	<b>0.81</b>	<b>1.109</b>	<b>0.986</b>	<b>1.6</b>	/
Back Upward P-Sensor ON	1413/1732.6	RMC	0.854	-0.14	1.084	0.926	1.6	/
Back Upward P-Sensor ON	1312/1712.4	RMC	0.839	-2.17	1.064	0.893	1.6	/
Hotspot(10mm)	Channel /Frequency	Mode	SAR Value (W/kg)1-g	Power drift(%)	Scaled Factor	Scaled SAR (W/Kg)1-g	Limit (W/kg)	SAR Plot.
Front Upward P-Sensor ON	1413/1732.6	RMC	0.182	0.54	1.109	0.202	1.6	/
Back Upward P-Sensor ON	1413/1732.6	RMC	<b>0.902</b>	-1.77	1.109	<b>1.000</b>	1.6	4
<b>Back Upward P-Sensor ON Repeat</b>	<b>1413/1732.6</b>	<b>RMC</b>	<b>0.889</b>	<b>0.81</b>	<b>1.109</b>	<b>0.986</b>	<b>1.6</b>	/
Left P-Sensor ON	1413/1732.6	RMC	0.201	0.32	1.109	0.223	1.6	/
Right P-Sensor ON	1413/1732.6	RMC	0.110	-2.15	1.109	0.122	1.6	/
Bottom P-Sensor ON	1413/1732.6	RMC	0.247	-0.85	1.109	0.274	1.6	/
Back Upward P-Sensor ON	1413/1732.6	RMC	0.854	-0.14	1.084	0.926	1.6	/
Back Upward P-Sensor ON	1312/1712.4	RMC	0.839	-2.17	1.064	0.893	1.6	/



**Results overview of WCDMA1900**

ANT 3

Head	Channel /Frequency	Mode	SAR Value (W/kg)1-g	Power drift(%)	Scaled Factor	Scaled SAR (W/Kg)1-g	Limit (W/kg)	SAR Plot.
Right Cheek	9400/1880.0	RMC	0.210	-0.76	1.091	0.229	1.6	/
Right Tilted	9400/1880.0	RMC	0.084	0.18	1.091	0.092	1.6	/
Left Cheek	9400/1880.0	RMC	<b>0.342</b>	0.12	1.091	<b>0.373</b>	1.6	5
Left Tilted	9400/1880.0	RMC	0.129	0.15	1.091	0.141	1.6	/
Body-worn(10mm)	Channel /Frequency	Mode	SAR Value (W/kg)1-g	Power drift(%)	Scaled Factor	Scaled SAR (W/Kg)1-g	Limit (W/kg)	SAR Plot.
Front Upward P-Sensor ON	9400/1880.0	RMC	0.129	-2.23	1.059	0.137	1.6	/
Back Upward P-Sensor ON	9400/1880.0	RMC	0.713	1.17	1.059	0.755	1.6	/
Back Upward P-Sensor ON	9262/1852.4	RMC	<b>0.867</b>	0.79	1.062	<b>0.921</b>	1.6	6
<b>Back Upward P-Sensor ON Repeat</b>	<b>9262/1852.4</b>	<b>RMC</b>	<b>0.858</b>	<b>-2.23</b>	<b>1.062</b>	<b>0.911</b>	<b>1.6</b>	/
Back Upward P-Sensor ON	9538/1907.6	RMC	0.771	-2.07	1.079	0.832	1.6	/
Hotspot(10mm)	Channel /Frequency	Mode	SAR Value (W/kg)1-g	Power drift(%)	Scaled Factor	Scaled SAR (W/Kg)1-g	Limit (W/kg)	SAR Plot.
Front Upward P-Sensor ON	9400/1880.0	RMC	0.129	-2.23	1.059	0.137	1.6	/
Back Upward P-Sensor ON	9400/1880.0	RMC	0.713	1.17	1.059	0.755	1.6	/
Left P-Sensor ON	9400/1880.0	RMC	0.230	2.22	1.059	0.244	1.6	/
Right P-Sensor ON	9400/1880.0	RMC	0.120	-3.94	1.059	0.127	1.6	/
Bottom P-Sensor ON	9400/1880.0	RMC	0.444	-2.14	1.059	0.470	1.6	/
Back Upward P-Sensor ON	9262/1852.4	RMC	<b>0.867</b>	0.79	1.062	<b>0.921</b>	1.6	6
<b>Back Upward P-Sensor ON Repeat</b>	<b>9262/1852.4</b>	<b>RMC</b>	<b>0.858</b>	<b>-2.23</b>	<b>1.062</b>	<b>0.911</b>	<b>1.6</b>	/
Back Upward P-Sensor ON	9538/1907.6	RMC	0.771	-2.07	1.079	0.832	1.6	/



**Results overview of FDD LTE Band 2, QPSK, 20MHz Bandwidth**

ANT 3

Head	Channel /Frequency	Mode	SAR Value (W/kg)1-g	Power drift(%)	Scaled Factor	Scaled SAR (W/Kg)1-g	Limit (W/kg)	SAR Plot.
1RB#0								
Right Cheek	18900/1880.0	QPSK	0.173	-1.73	1.164	0.201	1.6	/
Right Tilted	18900/1880.0	QPSK	0.069	2.42	1.164	0.080	1.6	/
Left Cheek	18900/1880.0	QPSK	<b>0.214</b>	-0.65	1.164	<b>0.249</b>	1.6	7
Left Tilted	18900/1880.0	QPSK	0.086	-1.28	1.164	0.100	1.6	/
50%RB#0								
Right Cheek	18900/1880.0	QPSK	0.160	1.09	1.189	0.190	1.6	/
Right Tilted	18900/1880.0	QPSK	0.058	-0.40	1.189	0.069	1.6	/
Left Cheek	18900/1880.0	QPSK	0.201	-1.39	1.189	0.239	1.6	/
Left Tilted	18900/1880.0	QPSK	0.072	-1.00	1.189	0.086	1.6	/
Body-worn(10mm)	Channel /Frequency	Mode	SAR Value (W/kg)1-g	Power drift(%)	Scaled Factor	Scaled SAR (W/Kg)1-g	Limit (W/kg)	SAR Plot.
1RB#0								
Front Upward P-Sensor ON	18900/1880.0	QPSK	0.096	1.80	1.107	0.106	1.6	/
Back Upward P-Sensor ON	18900/1880.0	QPSK	<b>0.523</b>	-1.27	1.107	<b>0.579</b>	1.6	8
50%RB#0								
Front Upward P-Sensor ON	18900/1880.0	QPSK	0.090	-2.72	1.138	0.102	1.6	/
Back Upward P-Sensor ON	18900/1880.0	QPSK	0.506	-0.20	1.138	0.576	1.6	/
Hotspot(10mm)	Channel /Frequency	Mode	SAR Value (W/kg)1-g	Power drift(%)	Scaled Factor	Scaled SAR (W/Kg)1-g	Limit (W/kg)	SAR Plot.
1RB#0								
Front Upward P-Sensor ON	18900/1880.0	QPSK	0.096	1.80	1.107	0.106	1.6	/
Back Upward P-Sensor ON	18900/1880.0	QPSK	<b>0.523</b>	-1.27	1.107	<b>0.579</b>	1.6	8
Left P-Sensor ON	18900/1880.0	QPSK	0.142	2.03	1.107	0.157	1.6	/
Right P-Sensor ON	18900/1880.0	QPSK	0.103	-1.42	1.107	0.114	1.6	/
Bottom P-Sensor ON	18900/1880.0	QPSK	0.308	-0.37	1.107	0.341	1.6	/
50%RB#0								
Front Upward P-Sensor ON	18900/1880.0	QPSK	0.090	-2.72	1.138	0.102	1.6	/



Back Upward P-Sensor ON	18900/1880.0	QPSK	0.506	-0.20	1.138	0.576	1.6	/
Left P-Sensor ON	18900/1880.0	QPSK	0.130	1.23	1.138	0.148	1.6	/
Right P-Sensor ON	18900/1880.0	QPSK	0.098	-2.25	1.138	0.112	1.6	/
Bottom P-Sensor ON	18900/1880.0	QPSK	0.264	-0.50	1.138	0.300	1.6	/



**Results overview of FDD LTE Band 4, QPSK, 20MHz Bandwidth**

ANT 3

Head	Channel /Frequency	Mode	SAR Value (W/kg)1-g	Power drift(%)	Scaled Factor	Scaled SAR (W/Kg)1-g	Limit (W/kg)	SAR Plot.
1RB#0								
Right Cheek	20175/1732.5	QPSK	0.255	2.16	1.125	0.287	1.6	/
Right Tilted	20175/1732.5	QPSK	0.102	-0.39	1.125	0.115	1.6	/
Left Cheek	20175/1732.5	QPSK	<b>0.321</b>	-1.30	1.125	<b>0.361</b>	1.6	9
Left Tilted	20175/1732.5	QPSK	0.128	-0.54	1.125	0.144	1.6	/
50%RB#0								
Right Cheek	20175/1732.5	QPSK	0.248	-2.58	1.143	0.283	1.6	/
Right Tilted	20175/1732.5	QPSK	0.097	-1.15	1.143	0.111	1.6	/
Left Cheek	20175/1732.5	QPSK	0.311	-0.63	1.143	0.355	1.6	/
Left Tilted	20175/1732.5	QPSK	0.115	-0.88	1.143	0.131	1.6	/
Body-worn(10mm)	Channel /Frequency	Mode	SAR Value (W/kg)1-g	Power drift(%)	Scaled Factor	Scaled SAR (W/Kg)1-g	Limit (W/kg)	SAR Plot.
1RB#0								
Front Upward P-Sensor ON	20175/1732.5	QPSK	0.133	-1.21	1.089	0.145	1.6	/
Back Upward P-Sensor ON	20175/1732.5	QPSK	<b>0.669</b>	-0.30	1.089	<b>0.729</b>	1.6	10
50%RB#0								
Front Upward P-Sensor ON	20175/1732.5	QPSK	0.120	0.65	1.164	0.140	1.6	/
Back Upward P-Sensor ON	20175/1732.5	QPSK	0.618	-0.39	1.164	0.719	1.6	/
Hotspot(10mm)	Channel /Frequency	Mode	SAR Value (W/kg)1-g	Power drift(%)	Scaled Factor	Scaled SAR (W/Kg)1-g	Limit (W/kg)	SAR Plot.
1RB#0								
Front Upward P-Sensor ON	20175/1732.5	QPSK	0.133	-1.21	1.089	0.145	1.6	/
Back Upward P-Sensor ON	20175/1732.5	QPSK	<b>0.669</b>	-0.30	1.089	<b>0.729</b>	1.6	10
Left P-Sensor ON	20175/1732.5	QPSK	0.210	2.81	1.089	0.229	1.6	/
Right P-Sensor ON	20175/1732.5	QPSK	0.123	-3.07	1.089	0.134	1.6	/
Bottom P-Sensor ON	20175/1732.5	QPSK	0.177	-2.25	1.089	0.193	1.6	/
50%RB#0								
Front Upward P-Sensor ON	20175/1732.5	QPSK	0.120	0.65	1.164	0.140	1.6	/





Back Upward P-Sensor ON	20175/1732.5	QPSK	0.618	-0.39	1.164	0.719	1.6	/
Left P-Sensor ON	20175/1732.5	QPSK	0.191	-3.53	1.164	0.222	1.6	/
Right P-Sensor ON	20175/1732.5	QPSK	0.116	2.20	1.164	0.135	1.6	/
Bottom P-Sensor ON	20175/1732.5	QPSK	0.149	-0.81	1.164	0.173	1.6	/



**Results overview of FDD LTE Band 5, QPSK, 10MHz Bandwidth**

ANT 3

Head	Channel /Frequency	Mode	SAR Value (W/kg)1-g	Power drift(%)	Scaled Factor	Scaled SAR (W/Kg)1-g	Limit (W/kg)	SAR Plot.
1RB#0								
Right Cheek	20525/836.5	QPSK	0.250	2.19	1.109	0.277	1.6	/
Right Tilted	20525/836.5	QPSK	0.100	-0.54	1.109	0.111	1.6	/
Left Cheek	20525/836.5	QPSK	<b>0.325</b>	-2.20	1.109	<b>0.360</b>	1.6	11
Left Tilted	20525/836.5	QPSK	0.130	-0.18	1.109	0.144	1.6	/
50%RB#0								
Right Cheek	20525/836.5	QPSK	0.221	0.59	1.151	0.254	1.6	/
Right Tilted	20525/836.5	QPSK	0.091	-2.15	1.151	0.105	1.6	/
Left Cheek	20525/836.5	QPSK	0.282	-1.97	1.151	0.325	1.6	/
Left Tilted	20525/836.5	QPSK	0.118	-0.38	1.151	0.136	1.6	/
Body-worn(10mm)	Channel /Frequency	Mode	SAR Value (W/kg)1-g	Power drift(%)	Scaled Factor	Scaled SAR (W/Kg)1-g	Limit (W/kg)	SAR Plot.
1RB#0								
Front Upward	20525/836.5	QPSK	0.137	-2.82	1.109	0.152	1.6	/
Back Upward	20525/836.5	QPSK	<b>0.653</b>	-0.33	1.109	<b>0.724</b>	1.6	12
50%RB#0								
Front Upward	20525/836.5	QPSK	0.122	0.71	1.151	0.140	1.6	/
Back Upward	20525/836.5	QPSK	0.592	-0.38	1.151	0.681	1.6	/
Hotspot(10mm)	Channel /Frequency	Mode	SAR Value (W/kg)1-g	Power drift(%)	Scaled Factor	Scaled SAR (W/Kg)1-g	Limit (W/kg)	SAR Plot.
1RB#0								
Front Upward	20525/836.5	QPSK	0.137	-2.82	1.109	0.152	1.6	/
Back Upward	20525/836.5	QPSK	<b>0.653</b>	-0.33	1.109	<b>0.724</b>	1.6	12
Left	20525/836.5	QPSK	0.272	-0.30	1.109	0.302	1.6	/
Right	20525/836.5	QPSK	0.274	-4.09	1.109	0.304	1.6	/
Bottom	20525/836.5	QPSK	0.105	-1.98	1.109	0.116	1.6	/
50%RB#0								
Front Upward	20525/836.5	QPSK	0.122	0.71	1.151	0.140	1.6	/
Back Upward	20525/836.5	QPSK	0.592	-0.38	1.151	0.681	1.6	/
Left	20525/836.5	QPSK	0.231	-2.21	1.151	0.266	1.6	/
Right	20525/836.5	QPSK	0.238	-3.30	1.151	0.274	1.6	/
Bottom	20525/836.5	QPSK	0.090	-0.89	1.151	0.104	1.6	/



**Results overview of FDD LTE Band 12, QPSK, 10MHz Bandwidth**

ANT 3

Head	Channel /Frequency	Mode	SAR Value (W/kg)1-g	Power drift(%)	Scaled Factor	Scaled SAR (W/Kg)1-g	Limit (W/kg)	SAR Plot.
1RB#0								
Right Cheek	23095/707.5	QPSK	0.160	1.17	1.151	0.184	1.6	/
Right Tilted	23095/707.5	QPSK	0.068	-2.25	1.151	0.078	1.6	/
Left Cheek	23095/707.5	QPSK	<b>0.223</b>	0.36	1.151	<b>0.257</b>	1.6	13
Left Tilted	23095/707.5	QPSK	0.093	-1.14	1.151	0.107	1.6	/
50%RB#0								
Right Cheek	23095/707.5	QPSK	0.134	-0.77	1.169	0.157	1.6	/
Right Tilted	23095/707.5	QPSK	0.056	1.03	1.169	0.065	1.6	/
Left Cheek	23095/707.5	QPSK	0.184	-2.24	1.169	0.215	1.6	/
Left Tilted	23095/707.5	QPSK	0.080	-0.80	1.169	0.094	1.6	/
Body-worn(10mm)	Channel /Frequency	Mode	SAR Value (W/kg)1-g	Power drift(%)	Scaled Factor	Scaled SAR (W/Kg)1-g	Limit (W/kg)	SAR Plot.
1RB#0								
Front Upward	23095/707.5	QPSK	0.151	-2.04	1.151	0.174	1.6	/
Back Upward	23095/707.5	QPSK	<b>0.612</b>	0.74	1.151	<b>0.704</b>	1.6	14
50%RB#0								
Front Upward	23095/707.5	QPSK	0.127	-2.69	1.169	0.148	1.6	/
Back Upward	23095/707.5	QPSK	0.524	-1.08	1.169	0.613	1.6	/
Hotspot(10mm)	Channel /Frequency	Mode	SAR Value (W/kg)1-g	Power drift(%)	Scaled Factor	Scaled SAR (W/Kg)1-g	Limit (W/kg)	SAR Plot.
1RB#0								
Front Upward	23095/707.5	QPSK	0.151	-2.04	1.151	0.174	1.6	/
Back Upward	23095/707.5	QPSK	<b>0.612</b>	0.74	1.151	<b>0.704</b>	1.6	14
Left	23095/707.5	QPSK	0.198	-1.29	1.151	0.228	1.6	/
Right	23095/707.5	QPSK	0.211	-2.06	1.151	0.243	1.6	/
Bottom	23095/707.5	QPSK	0.087	1.26	1.151	0.100	1.6	/
50%RB#0								
Front Upward	23095/707.5	QPSK	0.127	-2.69	1.169	0.148	1.6	/
Back Upward	23095/707.5	QPSK	0.524	-1.08	1.169	0.613	1.6	/
Left	23095/707.5	QPSK	0.160	0.42	1.169	0.187	1.6	/
Right	23095/707.5	QPSK	0.175	-0.70	1.169	0.205	1.6	/
Bottom	23095/707.5	QPSK	0.066	-1.65	1.169	0.077	1.6	/



**Results overview of FDD LTE Band 66, QPSK, 20MHz Bandwidth**

ANT 3

Head	Channel /Frequency	Mode	SAR Value (W/kg)1-g	Power drift(%)	Scaled Factor	Scaled SAR (W/Kg)1-g	Limit (W/kg)	SAR Plot.
1RB#0								
Right Cheek	132322/1745.0	QPSK	0.151	-2.96	1.156	0.175	1.6	/
Right Tilted	132322/1745.0	QPSK	0.065	-1.19	1.156	0.075	1.6	/
Left Cheek	132322/1745.0	QPSK	<b>0.201</b>	0.54	1.156	<b>0.232</b>	1.6	15
Left Tilted	132322/1745.0	QPSK	0.084	-2.24	1.156	0.097	1.6	/
50%RB#0								
Right Cheek	132322/1745.0	QPSK	0.130	2.11	1.114	0.145	1.6	/
Right Tilted	132322/1745.0	QPSK	0.052	-3.13	1.114	0.058	1.6	/
Left Cheek	132322/1745.0	QPSK	0.171	-0.99	1.114	0.190	1.6	/
Left Tilted	132322/1745.0	QPSK	0.071	-1.08	1.114	0.079	1.6	/
Body-worn(10mm)	Channel /Frequency	Mode	SAR Value (W/kg)1-g	Power drift(%)	Scaled Factor	Scaled SAR (W/Kg)1-g	Limit (W/kg)	SAR Plot.
1RB#0								
Front Upward	132322/1745.0	QPSK	0.148	2.54	1.076	0.159	1.6	/
Back Upward	132322/1745.0	QPSK	<b>0.707</b>	0.17	1.076	<b>0.761</b>	1.6	16
50%RB#0								
Front Upward	132322/1745.0	QPSK	0.121	0.29	1.096	0.133	1.6	/
Back Upward	132322/1745.0	QPSK	0.654	-1.25	1.096	0.717	1.6	/
Hotspot(10mm)	Channel /Frequency	Mode	SAR Value (W/kg)1-g	Power drift(%)	Scaled Factor	Scaled SAR (W/Kg)1-g	Limit (W/kg)	SAR Plot.
1RB#0								
Front Upward P-Sensor ON	132322/1745.0	QPSK	0.148	2.54	1.076	0.159	1.6	/
Back Upward P-Sensor ON	132322/1745.0	QPSK	<b>0.707</b>	0.17	1.076	<b>0.761</b>	1.6	16
Left P-Sensor ON	132322/1745.0	QPSK	0.081	-2.87	1.076	0.087	1.6	/
Right P-Sensor ON	132322/1745.0	QPSK	0.122	-0.45	1.076	0.131	1.6	/
Bottom P-Sensor ON	132322/1745.0	QPSK	0.235	-3.02	1.076	0.253	1.6	/
50%RB#0								
Front Upward P-Sensor ON	132322/1745.0	QPSK	0.121	0.29	1.096	0.133	1.6	/
Back Upward P-Sensor ON	132322/1745.0	QPSK	0.654	-1.25	1.096	0.717	1.6	/



Left P-Sensor ON	132322/1745.0	QPSK	0.068	-3.51	1.096	0.075	1.6	/
Right P-Sensor ON	132322/1745.0	QPSK	0.104	0.45	1.096	0.114	1.6	/
Bottom P-Sensor ON	132322/1745.0	QPSK	0.194	-2.14	1.096	0.213	1.6	/

**Results overview of WIFI2.4G 802.11b**

ANT 2

Head	Channel /Frequency	Mode	SAR Value (W/kg)1-g	Power drift(%)	Scaled Factor	Scaled SAR (W/Kg)1-g	Limit (W/kg)	SAR Plot.
Right Cheek	6/2437.0	802.11b	0.449	-1.91	1.239	0.556	1.6	/
Right Tilted	6/2437.0	802.11b	0.151	-2.32	1.239	0.187	1.6	/
Left Cheek	6/2437.0	802.11b	<b>0.564</b>	-0.55	1.239	<b>0.699</b>	1.6	17
Left Tilted	6/2437.0	802.11b	0.182	-1.24	1.239	0.225	1.6	/
Body-worn(10mm)	Channel /Frequency	Mode	SAR Value (W/kg)1-g	Power drift(%)	Scaled Factor	Scaled SAR (W/Kg)1-g	Limit (W/kg)	SAR Plot.
Front Upward	6/2437.0	802.11b	0.083	-1.78	1.239	0.103	1.6	/
Back Upward	6/2437.0	802.11b	<b>0.247</b>	-0.17	1.239	<b>0.306</b>	1.6	18
Hotspot(10mm)	Channel /Frequency	Mode	SAR Value (W/kg)1-g	Power drift(%)	Scaled Factor	Scaled SAR (W/Kg)1-g	Limit (W/kg)	SAR Plot.
Front Upward	6/2437.0	802.11b	0.083	-1.78	1.239	0.103	1.6	/
Back Upward	6/2437.0	802.11b	<b>0.247</b>	-0.17	1.239	<b>0.306</b>	1.6	18
Left	6/2437.0	802.11b	0.209	-1.05	1.239	0.259	1.6	/
Top	6/2437.0	802.11b	0.124	-2.09	1.239	0.154	1.6	/

**Results overview of BT**

ANT 2

Head	Channel /Frequency	Mode	SAR Value (W/kg)1-g	Power drift(%)	Scaled Factor	Scaled SAR (W/Kg)1-g	Limit (W/kg)	SAR Plot.
Right Cheek	39/2441.0	DH5	0.043	-3.05	1.062	0.046	1.6	/
Right Tilted	39/2441.0	DH5	0.012	0.43	1.062	0.013	1.6	/
Left Cheek	39/2441.0	DH5	<b>0.062</b>	-1.71	1.062	<b>0.066</b>	1.6	19
Left Tilted	39/2441.0	DH5	0.017	-1.53	1.062	0.018	1.6	/
Body-worn(10mm)	Channel /Frequency	Mode	SAR Value (W/kg)1-g	Power drift(%)	Scaled Factor	Scaled SAR (W/Kg)1-g	Limit (W/kg)	SAR Plot.
Front Upward	39/2441.0	DH5	0.015	-2.18	1.062	0.016	1.6	/
Back Upward	39/2441.0	DH5	<b>0.031</b>	-0.25	1.062	<b>0.033</b>	1.6	20
Hotspot(10mm)	Channel /Frequency	Mode	SAR Value (W/kg)1-g	Power drift(%)	Scaled Factor	Scaled SAR (W/Kg)1-g	Limit (W/kg)	SAR Plot.
Front Upward	39/2441.0	DH5	0.015	-2.18	1.062	0.016	1.6	/
Back Upward	39/2441.0	DH5	<b>0.031</b>	-0.25	1.062	<b>0.033</b>	1.6	20
Left	39/2441.0	DH5	0.022	-3.70	1.062	0.023	1.6	/
Top	39/2441.0	DH5	0.013	-1.22	1.062	0.014	1.6	/

## Note:

Per KDB941225 D06 v02r01, When the antenna-to-edge distance is greater than 2.5cm, such position does not need to be tested. As the manufacture requirement the separation distance use 5mm for Hotspot mode.

Per KDB Publication 941225 D01v03r01. RMC 12.2kbps was as primary mode SAR, when the primary mode SAR less than 1.2W/kg, secondary SAR (HSPA) was not requires.

When the 1-g SAR for the mid-band channel or the channel with the highest output power satisfy the following conditions, testing of the other channels in the band is not required. (Per KDB 447498 D01 General RF Exposure Guidance v06)

- $\leq 0.8$  W/kg, when the transmission band is  $\leq 100$  MHz
- $\leq 0.6$  W/kg, when the transmission band is between 100 MHz and 200 MHz
- $\leq 0.4$  W/kg, when the transmission band is  $\geq 200$  MHz



## 12. Simultaneous Transmissions Analysis

Localized Specific Absorption Rate (SAR) of this portable wireless device has been measured in all cases requested by the relevant standards cited in Clause 6 of this report. Maximum localized SAR is **below** exposure limits specified in the relevant standards.

### Simultaneous SAR

No.	Transmitter Combinations	Head	Body	Hotspot
1	WWAN + WLAN 2.4GHz	Support	Support	Support
2	WWAN+ Bluetooth	Support	Support	Support

Note:

1. EUT will choose each WCDMA, LTE according to the network signal condition; therefore, they will not operate simultaneously at any moment.
2. The reported SAR summation is calculated based on the same configuration and test position.





Simultaneous Tx Combination of GSM/WCDMA/LTE and BT/WIFI (Head)

Test Position/Freq.	Right Cheek	Right Tilted	Left Cheek	Left Tilted	
Head MAX 1-g SAR(W/Kg) 0mm distance	WCDMA 850 ANT 3	0.376	0.153	0.514	0.212
	WCDMA 1700 ANT 3	0.311	0.128	0.529	0.192
	WCDMA 1900 ANT 3	0.229	0.092	0.373	0.141
	LTE Band 2 ANT 3	0.201	0.080	0.249	0.100
	LTE Band 4 ANT 3	0.287	0.115	0.361	0.144
	LTE Band 5 ANT 3	0.277	0.111	0.360	0.144
	LTE Band 12 ANT 3	0.184	0.078	0.257	0.107
	LTE Band 66 ANT 3	0.175	0.075	0.232	0.097
	WIFI 2.4G ANT 2	0.556	0.187	0.699	0.225
	BT ANT 2	0.046	0.013	0.066	0.018
WWAN MAX SAR	0.376	0.153	0.529	0.212	
WIFI/BT MAX SAR	0.556	0.187	0.699	0.225	
Max Simultaneous $\sum$ 1-g SAR(W/Kg) (WIFI/BT MAX SAR +WWAN ANT MAX SAR)	0.932	0.340	1.228	0.437	



Simultaneous Tx Combination of GSM/WCDMA/LTE and BT/WIFI (Body).

Test Position		Front	Back	Left	Right	Top	Bottom
Body-worn MAX 1-g SAR(W/Kg) 10mm distance	WCDMA 850 ANT 3	0.353	1.020	/	/	/	/
	WCDMA 1700 ANT 3	0.202	1.000	/	/	/	/
	WCDMA 1900 ANT 3	0.137	0.921	/	/	/	/
	LTE Band 2 ANT 3	0.106	0.579	/	/	/	/
	LTE Band 4 ANT 3	0.145	0.729	/	/	/	/
	LTE Band 5 ANT 3	0.152	0.724	/	/	/	/
	LTE Band 12 ANT 3	0.174	0.704	/	/	/	/
	LTE Band 66 ANT 3	0.159	0.761	/	/	/	/
	WIFI 2.4G ANT 2	0.103	0.306	/	/	/	/
	BT ANT 2	0.016	0.033	/	/	/	/
WWAN MAX SAR		0.353	1.020	/	/	/	/
WIFI/BT MAX SAR		0.103	0.306	/	/	/	/
Max Simultaneous $\sum$ 1-g SAR(W/Kg) (WIFI/BT MAX SAR +WWAN ANT MAX SAR)		0.456	1.326	/	/	/	/



Simultaneous Tx Combination of GSM/WCDMA/LTE and WIFI (Hotspot).

Test Position		Front	Back	Left	Right	Top	Bottom
Hotspot MAX 1-g SAR(W/Kg) 10mm distance	WCDMA 850 ANT 3	0.353	1.020	0.415	0.403	/	0.141
	WCDMA 1700 ANT 3	0.202	1.000	0.223	0.122	/	0.274
	WCDMA 1900 ANT 3	0.137	0.921	0.244	0.127	/	0.470
	LTE Band 2 ANT 3	0.106	0.579	0.157	0.114	/	0.341
	LTE Band 4 ANT 3	0.145	0.729	0.229	0.134	/	0.193
	LTE Band 5 ANT 3	0.152	0.724	0.302	0.304	/	0.116
	LTE Band 12 ANT 3	0.174	0.704	0.228	0.243	/	0.100
	LTE Band 66 ANT 3	0.159	0.761	0.087	0.131	/	0.253
	WIFI 2.4G ANT 2	0.103	0.306	0.259	/	0.154	/
	BT ANT 2	0.016	0.033	0.023	/	0.014	/
WWAN MAX SAR		0.353	1.020	0.415	0.403	/	0.470
WIFI/BT MAX SAR		0.103	0.306	0.259	/	0.154	/
Max Simultaneous $\sum$ 1-g SAR(W/Kg) (WIFI/BT MAX SAR +WWAN ANT MAX SAR)		0.456	1.326	0.674	0.403	0.154	0.470

**SAR to PeakLocation SeparationRatio (SPLSR)**

As the Sum of the SAR is not greater than 1.6 W/kg SPLSR assessment is not required



### 13.Measurement Uncertainty

No.	Uncertainty Component	Type	Uncertainty Value (%)	Probability Distribution	k	ci	Standard Uncertainty (%) $u_i(\%)$	Degree of freedom $\nu_{eff}$ or $\nu_i$
<b>Measurement System</b>								
1	- Probe Calibration	B	5.8	N	1	1	5.8	$\infty$
2	- Axial isotropy	B	3.5	R	$\sqrt{3}$	0.5	1.43	$\infty$
3	- Hemispherical Isotropy	B	5.9	R	$\sqrt{3}$	0.5	2.41	$\infty$
4	- Boundary Effect	B	1	R	$\sqrt{3}$	1	0.58	$\infty$
5	- Linearity	B	4.7	R	$\sqrt{3}$	1	2.71	$\infty$
6	- System Detection Limits	B	1.0	R	$\sqrt{3}$	1	0.58	$\infty$
7	Modulation response	B	3	N	1	1	3.00	
8	- Readout Electronics	B	0.5	N	1	1	0.50	$\infty$
9	- Response Time	B	1.4	R	$\sqrt{3}$	1	0.81	$\infty$
10	- Integration Time	B	3.0	R	$\sqrt{3}$	1	1.73	$\infty$
11	- RF Ambient Conditions	B	3.0	R	$\sqrt{3}$	1	1.73	$\infty$
12	- Probe Position Mechanical tolerance	B	1.4	R	$\sqrt{3}$	1	0.81	$\infty$
13	- Probe Position with respect to Phantom Shell	B	1.4	R	$\sqrt{3}$	1	0.81	$\infty$
14	- Extrapolation, Interpolation and Integration Algorithms for Max. SAR evaluation	B	2.3	R	$\sqrt{3}$	1	1.33	$\infty$
<b>Uncertainties of the DUT</b>								



15	- Position of the DUT	A	2.6	N	$\sqrt{3}$	1	2.6	5
16	- Holder of the DUT	A	3	N	$\sqrt{3}$	1	3.0	5
17	- Output Power Variation – SAR drift measurement	B	5.0	R	$\sqrt{3}$	1	2.89	$\infty$
<b>Phantom and Tissue Parameters</b>								
18	- Phantom Uncertainty(shape and thickness tolerances)	B	4	R	$\sqrt{3}$	1	2.31	$\infty$
19	Uncertainty in SAR correction for deviation(in permittivity and conductivity)	B	2	N	1	1	2.00	
20	- Liquid Conductivity Target – tolerance	B	2.5	R	$\sqrt{3}$	0.6	1.95	$\infty$
21	- Liquid Conductivity – measurement Uncertainty)	B	4	N	$\sqrt{3}$	1	0.92	9
22	- Liquid Permittivity Target tolerance	B	2.5	R	$\sqrt{3}$	0.6	1.95	$\infty$
23	- Liquid Permittivity – measurement uncertainty	B	5	N	$\sqrt{3}$	1	1.15	$\infty$
<b>Combined Standard Uncertainty</b>				RSS			10.63	
<b>Expanded uncertainty</b> (Confidence interval of 95 %)				K=2			21.26	

**System Check Uncertainty**

No.	Uncertainty Component	Type	Uncertainty Value (%)	Probability Distribution	k	ci	Standard Uncertainty (%) $u_i(\%)$	Degree of freedom $V_{eff}$ or $v_i$
<b>Measurement System</b>								
1	- Probe Calibration	B	5.8	N	1	1	5.8	$\infty$
2	- Axial isotropy	B	3.5	R	$\sqrt{3}$	0.5	1.43	$\infty$



3	- Hemispherical Isotropy	B	5.9	R	$\sqrt{3}$	0.5	2.41	$\infty$
4	- Boundary Effect	B	1	R	$\sqrt{3}$	1	0.58	$\infty$
5	- Linearity	B	4.7	R	$\sqrt{3}$	1	2.71	$\infty$
6	- System Detection Limits	B	1	R	$\sqrt{3}$	1	0.58	$\infty$
7	Modulation response	B	0	N	1	1	0.00	
8	- Readout Electronics	B	0.5	N	1	1	0.50	$\infty$
9	- Response Time	B	0.00	R	$\sqrt{3}$	1	0.00	$\infty$
10	- Integration Time	B	1.4	R	$\sqrt{3}$	1	0.81	$\infty$
11	- RF Ambient Conditions	B	3.0	R	$\sqrt{3}$	1	1.73	$\infty$
12	- Probe Position Mechanical tolerance	B	1.4	R	$\sqrt{3}$	1	0.81	$\infty$
13	- Probe Position with respect to Phantom Shell	B	1.4	R	$\sqrt{3}$	1	0.81	$\infty$
14	- Extrapolation, Interpolation and Integration Algorithms for Max. SAR evaluation	B	2.3	R	$\sqrt{3}$	1	1.33	$\infty$
<b>Uncertainties of the DUT</b>								
15	Deviation of experimental source from numerical source	A	4	N	1	1	4.00	5
16	Input Power and SAR drift measurement	A	5	R	$\sqrt{3}$	1	2.89	5
17	Dipole Axis to Liquid Distance	B	2	R	$\sqrt{3}$	1	1.2	$\infty$
<b>Phantom and Tissue Parameters</b>								
18	- Phantom Uncertainty(shape	B	4	R	$\sqrt{3}$	1	2.31	$\infty$



	and thickness tolerances)							
19	Uncertainty in SAR correction for deviation(in permittivity and conductivity)	B	2	N	1	1	2.00	
20	- Liquid Conductivity Target – tolerance	B	2.5	R	$\sqrt{3}$	0.6	1.95	$\infty$
21	- Liquid Conductivity – measurement Uncertainty)	B	4	N	$\sqrt{3}$	1	0.92	9
22	- Liquid Permittivity Target tolerance	B	2.5	R	$\sqrt{3}$	0.6	1.95	$\infty$
23	- Liquid Permittivity – measurement uncertainty	B	5	N	$\sqrt{3}$	1	1.15	$\infty$
<b>Combined Standard Uncertainty</b>				RSS			10.15	
<b>Expanded uncertainty</b> (Confidence interval of 95 %)				K=2			20.29	



## 14. Equipment List

This table is a complete overview of the SAR measurement equipment. Devices used during the test described are marked .

	EQUIPMENT	Model	Serial number	Calibration Date	Due Date
<input checked="" type="checkbox"/>	SAR Probe	SSE2	SN 32/22 EPGO383	2022/09/05	2023/09/04
<input checked="" type="checkbox"/>	Dipole	SID750	SN 23/15 DIP0G750-378	2020/06/25	2023/06/24
<input checked="" type="checkbox"/>	Dipole	SID835	SN 09/13 DIP0G835-217	2020/06/25	2023/06/24
<input checked="" type="checkbox"/>	Dipole	SID1800	SN 09/13 DIP1G800-216	2020/06/25	2023/06/24
<input checked="" type="checkbox"/>	Dipole	SID1900	SN 09/13 DIP1G900-218	2020/06/25	2023/06/24
<input checked="" type="checkbox"/>	Dipole	SID2450	SN 09/13 DIP2G450-220	2020/06/25	2023/06/24
<input checked="" type="checkbox"/>	Multimeter	Keithley-2000	4014020	2023/02/20	2024/02/19
<input checked="" type="checkbox"/>	System Simulator(R&S)	CMW500	130805	2022/06/23	2023/06/22
<input checked="" type="checkbox"/>	KEYSIGHT	E7515A	MY56040357	2023/02/20	2024/02/19
<input checked="" type="checkbox"/>	Vector Network Analyzer(R&S)	ZVB8	100343	2023/02/20	2024/02/19
<input checked="" type="checkbox"/>	PC 3.5 Fixed Match Calibration Kit	ZV-Z32	100571	2023/02/20	2024/02/19
<input checked="" type="checkbox"/>	Dielectric Probe Kit	SCLMP	SN 09/13 OCPG51	2023/02/20	2024/02/19
<input checked="" type="checkbox"/>	Signal Generator	SMU100A	177649	2023/02/20	2024/02/19
<input checked="" type="checkbox"/>	Amplifier	Nucletudes	143060	2023/02/20	2024/02/19
<input checked="" type="checkbox"/>	Directional Coupler	DC6180A	305827	2022/06/23	2023/06/22
<input checked="" type="checkbox"/>	Power Meter	NRP2	103434	2023/02/20	2024/02/19





## ANNEX A: Appendix A: SAR System performance Check Plots

(Please See Appendix A)

## ANNEX B: Appendix B: SAR Measurement results Plots

(Please See Appendix B)

## ANNEX C: Appendix C: Calibration reports

(Please See Appendix C)

## ANNEX D: Appendix D: SAR Test Setup

(Please See Appendix D)

—End of the Report—