

The Instruction Manual for 6' RGB Cone Tree

Model No.: FCB-VI-OX0125L-6FT-12P

Input Voltage: 120V~60Hz 1.5A Max.

Output: 12V 6.0A

CAUTION:

- Use only UL Listed Class2 12V DC Power Supply.
- This seasonal product is not intended for permanent installation.
- To reduce the risk of fire or electric shock, do not attempt to replace lamps or modify string.
- Always unplug this product before installing.
- To reduce the risk of fire and electric shock: Do not install on trees having needles, leaves or branch coverings of metal or materials which look like metal.
- To reduce the risk of fire and electrical shock: Do not mount or support strings in a manner that can cut or damage wire insulation.

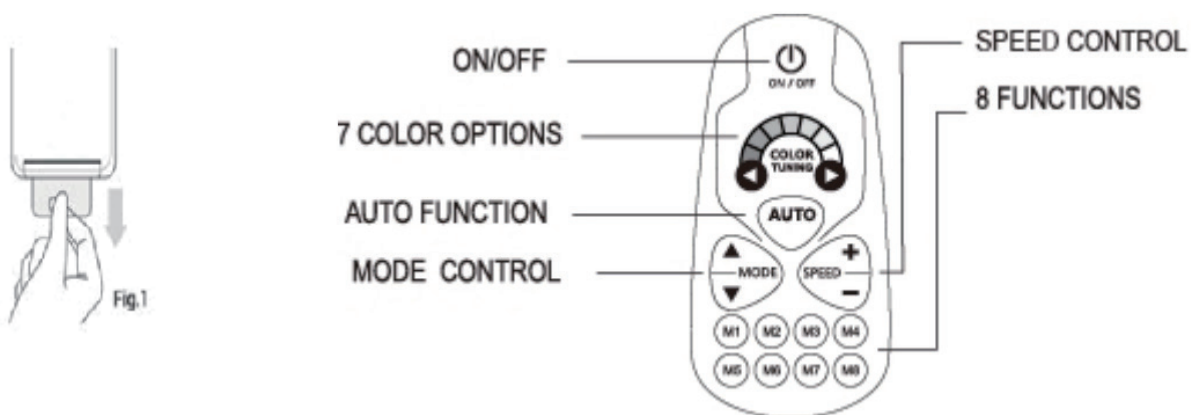
IMPORTANT SAFETY INSTRUCTIONS

When using electrical products, basic precautions should always be practiced including the following:

1. Please read this manual before use;
2. When the temperature is below $\leq 50^{\circ}\text{F}$ (10°C), please do not directly straighten the lamp body because the lamp body is hard, so as not to damage the lamp body. It is recommended to connect the power supply to light the lamp body for 8~10 minutes. When the lamp body is soft, it can be straightened and assembled.
3. In order to reduce the deformation of the lamp body, it is recommended to vertically pull down the straight lamp body during assembly. Do not forcibly straighten the lamp body when the lamp body is twisted.
4. The lamp beads are not replaceable;
5. The external wires of the product cannot be replaced. If the external wires are damaged, do not use them.
6. Do not connect with other products;
7. Products can be used indoors and outdoors;
8. Do not place the product near gas, electric heaters, fireplaces, candlesticks, or other similar sources of heat;
9. The products are electronic products, non-toy products, please do not play for children, please keep them out of reach of children, so as not to cause fire, burns, personal injury, electric shock and so on;
10. Avoid piercing the lamp body with sharp objects;
11. After the product is installed, do not hang other objects on the product;
12. Do not cover flammable materials when using the product;
13. Please check the integrity of the product before use or before using it. If the product is damaged, please do not use it. If it is damaged, please do not use it.
14. The product must be connected to the correct voltage;
15. When a fault occurs, please turn off the power immediately. Hold the plug when the power is off, and do not pull the power cord;
16. If the operation is not carried out in accordance with the precautions, the manufacturer will not be responsible.

Remote Control User Manual

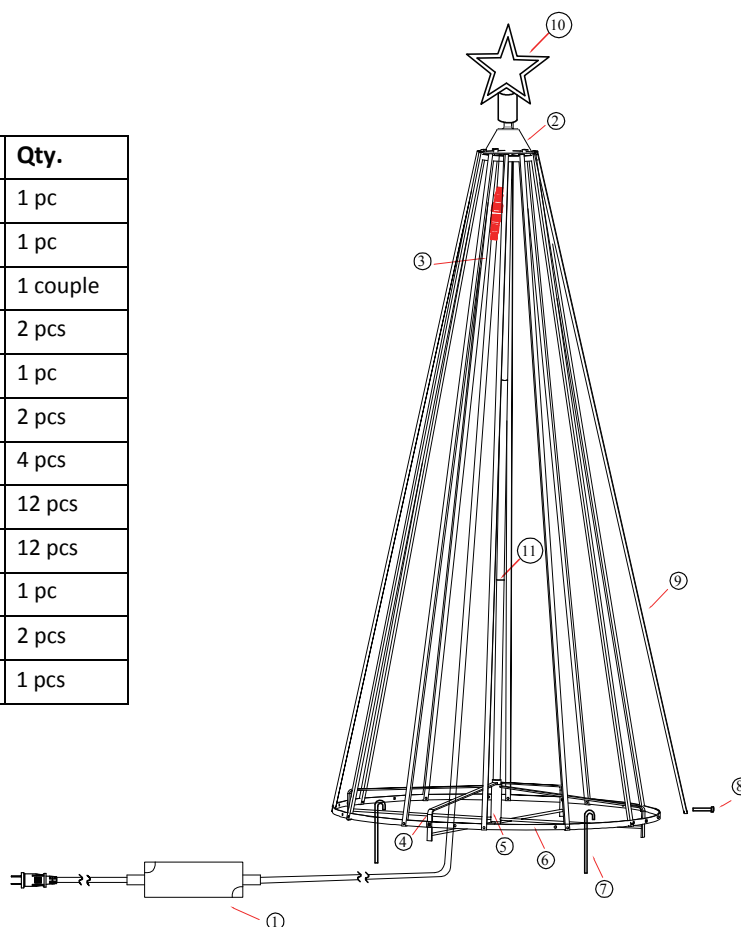
1. Pull out the plastic film from the batter cover to energize the remote. (Fig.1)
2. Point remote to the tree controller box to function.



Battery Caution:

1. Always purchase the correct size and grade of battery most suitable for the intended use.
2. Replace only with lithium, type CR2032 battery
3. Clean the battery contacts and also those of the device prior to battery installation.
4. Ensure the battery is installed correctly with regards to polarity (+ and -)
5. Remove battery from equipment which is not to be used for an extended period of time.

#	Name	Qty.
1	Waterproof power supply	1 pc
2	Controller	1 pc
3	Male and female connectors	1 couple
4	Screws for Base	2 pcs
5	Base frame	1 pc
6	Base outer ring	2 pcs
7	Hook	4 pcs
8	Pin	12 pcs
9	Linear Light	12 pcs
10	Star	1 pc
11	Center Supporting Tube	2 pcs
12	Remote Controller	1 pcs



Product Installation:

- Step 1: Open the base frame, and insert guide post of the base frame into the hole on the outer ring, and fix the base with screws; (Figure 1 and Figure 2)
- Step 2: Insert the 3-sections center supporting tube into the hole at base frame; (Figure 3)
- Step 3: Insert the Star into the iron frame hole at the top of the lamp body; (Figure 3)
- Step 4: Insert the iron frame of lamp body into the center supporting tube; (Fig. 3)
- Step 5: Open the reeled lamp body and pull down the lamp body to be straight, and insert the pin into the T-joint hole and the outer ring hole of the base; (Figure 4)
- Step 6: If the product is placed outdoors, please hook one end of the hook to the outer ring of the base and one end to the ground; (Figure 5)
- Step 7: Connect the connector of the lamp body to the connector on the controller; (Figure 5)
- Step 8: Power on.

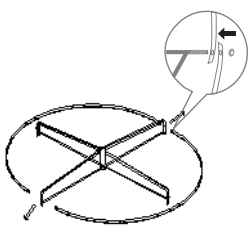


Figure 1

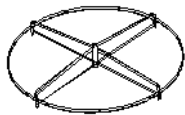


Figure 2

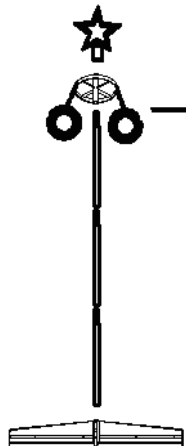


Figure 3

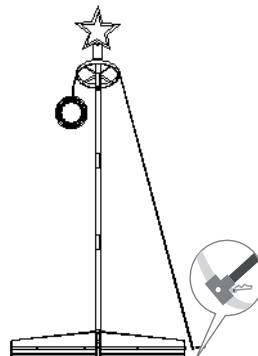


Figure 4

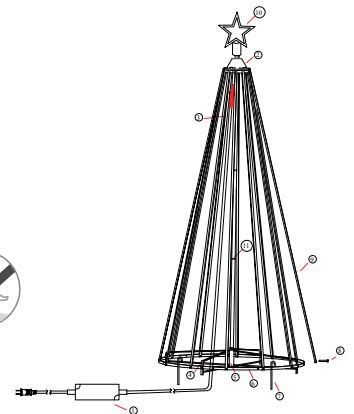


Figure 5

Maintain and Care

You should maintain and care for the tree light kit in the following areas before storage.

1. Clean and wipe all the metal parts. Use rust removal product (not included) such as WD-40 to clean any rusty spots if there is any when powder coating is damaged. (Note: Follow the rust removal product instructions when using it.)
2. Repaint any spots where the paint on the metal part is damaged. (Note: Paint not included)
3. Clean and wipe the light strands and all other parts. (Important: DO NOT let any part of this product submerge or soak in water.)
4. Be sure all parts are dry before storage.

Any Changes or modifications not expressly approved by the party responsible for compliance could void the user's authority to operate the equipment.

This device complies with part 15 of the FCC Rules. Operation is subject to the following two conditions: (1) This device may not cause harmful interference, and (2) this device must accept any interference received, including interference that may cause undesired operation.

NOTE: This equipment has been tested and found to comply with the limits for a Class B digital, pursuant to Part 15 of the FCC Rules. These limits are designed to provide reasonable protection against harmful interference in a residential installation. This equipment generates, uses and can radiate radio frequency energy and, if not installed and used in accordance with the instructions, may cause harmful interference to radio communications. However, there is no guarantee that interference will not occur in a particular installation. If the equipment does cause harmful interference to radio or television reception, which can be determined by turning the equipment off and on, the user is encouraged to try to correct the interference by one or more of the following measures:

- Reorient or relocate the receiving antenna.
- Increase the separation between the equipment and receiver.
- Connect the equipment into an outlet on a circuit different from that to which the receiver is connected.
- Consult the dealer or an experienced radio/ TV technician for help.