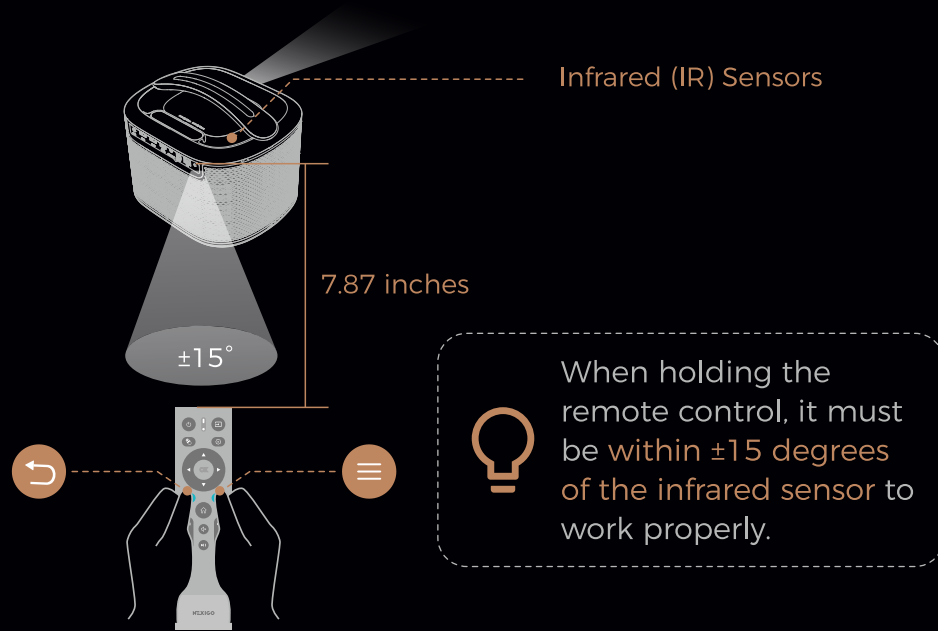


Bluetooth Mode

Enable Bluetooth on your TriVision Ultra by going to **Settings > Bluetooth Connection > Bluetooth > On**.

Please hold the remote within 7.87 inches of the projector. Point it towards the projector and press and hold the **Return** and **Menu** buttons simultaneously for at least 10 seconds to put the remote control into pairing mode. If the pairing is successful, the screen will display the message, "Bluetooth remote control is paired".



QUICK START GUIDE

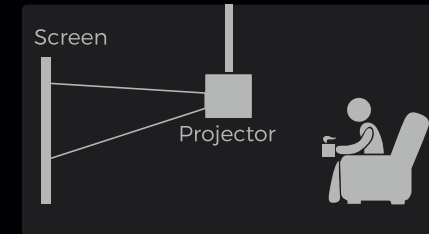
The screenshots provided in this manual are for reference only. The actual images that appear on your screen may differ depending on your current firmware.

CHOOSING A LOCATION

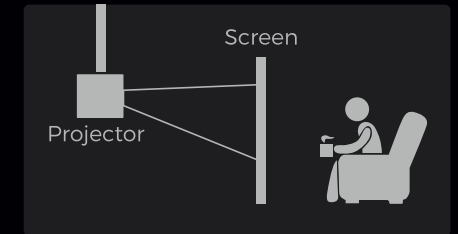
The size and layout of a room is the most important factor when choosing where to place your projector. Consider the following when selecting a location:

- The size, shape, and position of your screen,
- Where a suitable power outlet is located, and
- Whether the projector will have enough room for adequate airflow.

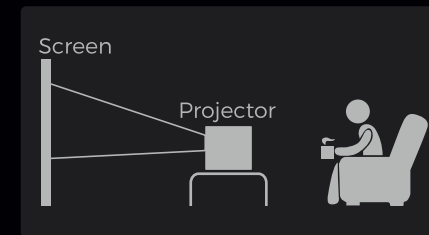
The projector is designed to be installed in one of four layouts. You can either hang the projector from the ceiling using a special mounting bracket (not included), or simply place it on a level surface. If you choose a layout other than Desktop (front projection), you must change the projection mode. To do this, go to **Settings > Image > Projection Mode**, then select the corresponding projection mode for your layout.



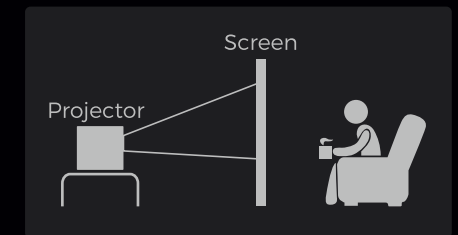
Ceiling mounted (front projection)



Ceiling mounted (rear projection)



Desktop (front projection)



Desktop (rear projection)



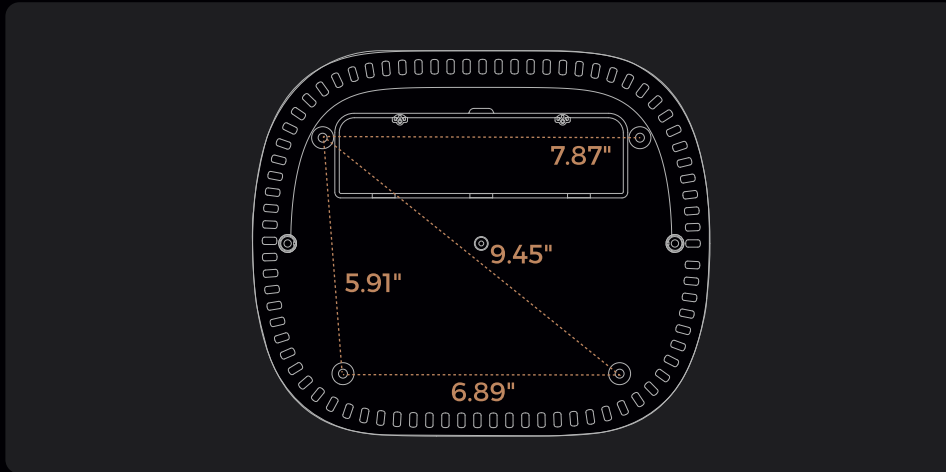
- DO NOT project toward the ground.
- A rear projection screen is required to use the rear projection function.

Mounting to a Ceiling

1. Remove the four feet on the bottom of the projector to access the mounting screw threads.

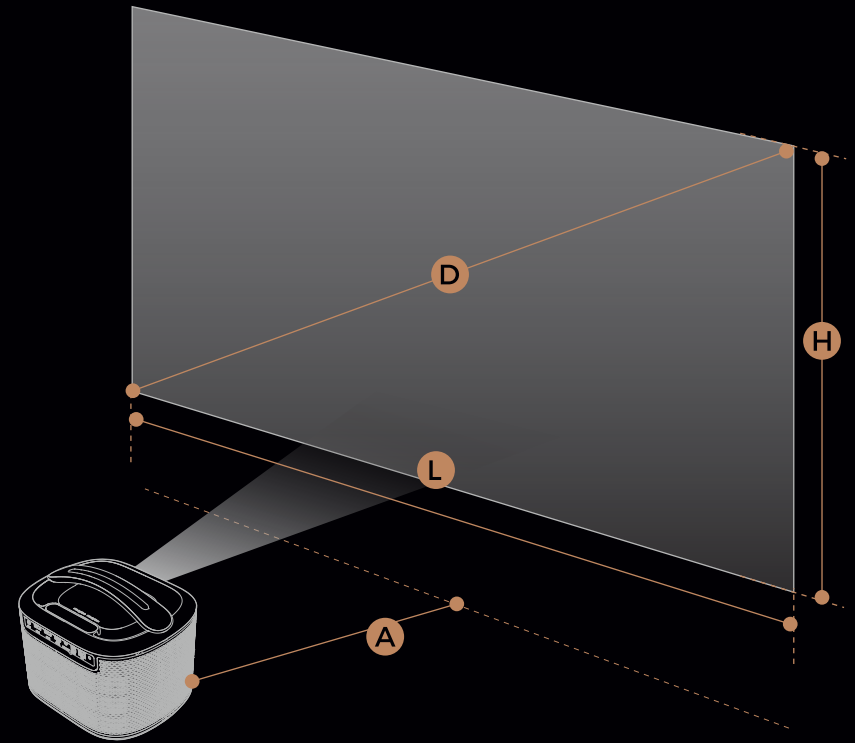
2. Find a suitable ceiling mount using the following specifications:

- The ceiling mounting holes are M4 x 20 mm in size
- 9.45" is the diagonal distance between the mounting holes
- 7.87" is the horizontal distance on the top row
- 6.89" is the horizontal distance on the bottom row
- 5.91" is the vertical distance between the top and bottom rows



3. After mounting the projector, go to **Settings > Audio Settings > Swap Left and Right Channels** to fix the audio orientation.

DETERMINING PROJECTION DISTANCE & SIZE



D (Inches) Screen Diagonal	L (Inches) Image Length	H (Inches) Image High	A (Feet) Projection Distance
80	68.9	39.25	7.55
90	78	44	8.48
100	87	49	9.22
110	96	54	10.1
120	104	58	11.02
130	113	63	11.96
140	122	69	12.88
150	131	74	13.88