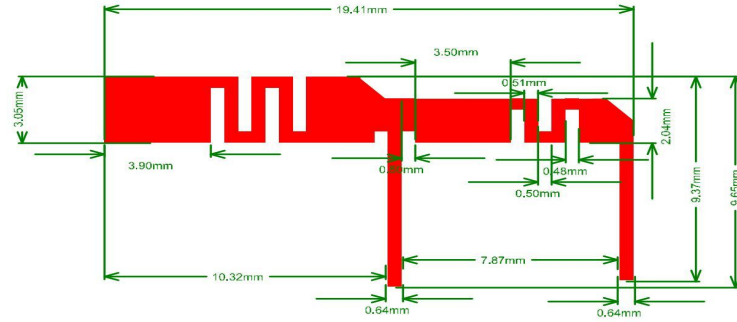


Onboard antenna specifications

1. Detailed size and specification of onboard antenna:



2. characteristics of

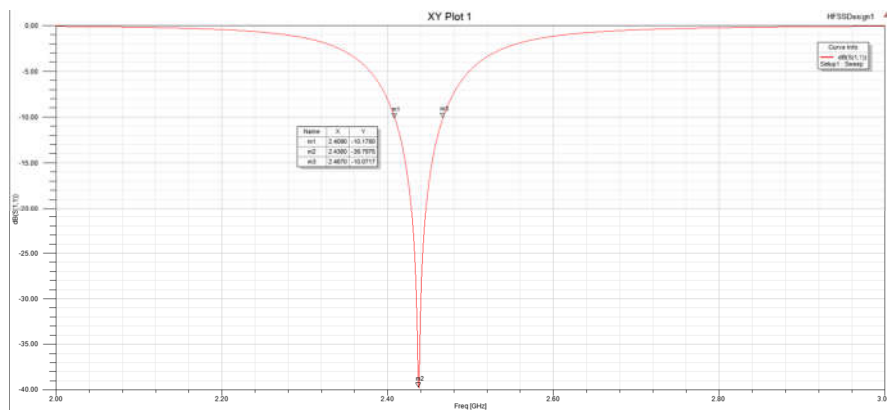
- Super small size: 2.8*9.95mm
- 50 Ohm impedance
- Gain: 1.29dBi
- Operating in 2.4GHz band

3. Antenna S parameter

10dB Working bandwidth :58MHz

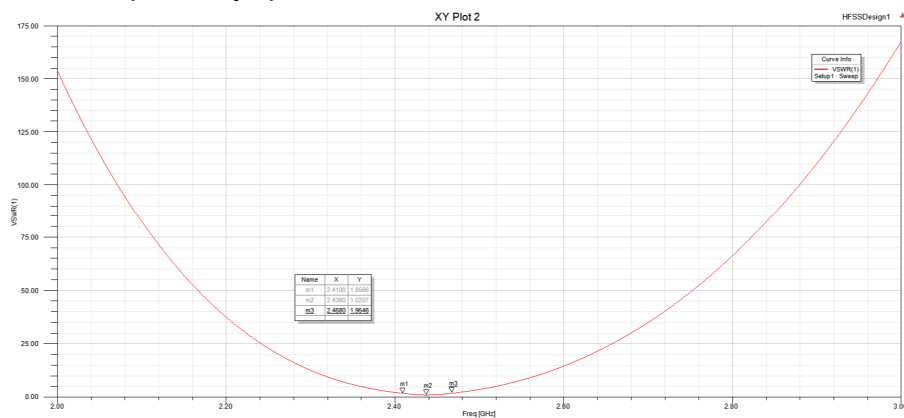
Center frequency band

S11: -39.8dB@2.438GHz

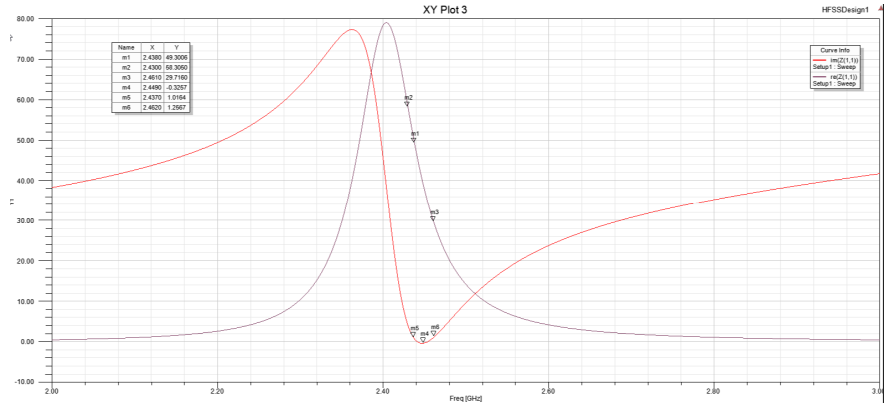


4. Antenna impedance and VSWR

center frequency point VSWR: 1.02@2.438GHz

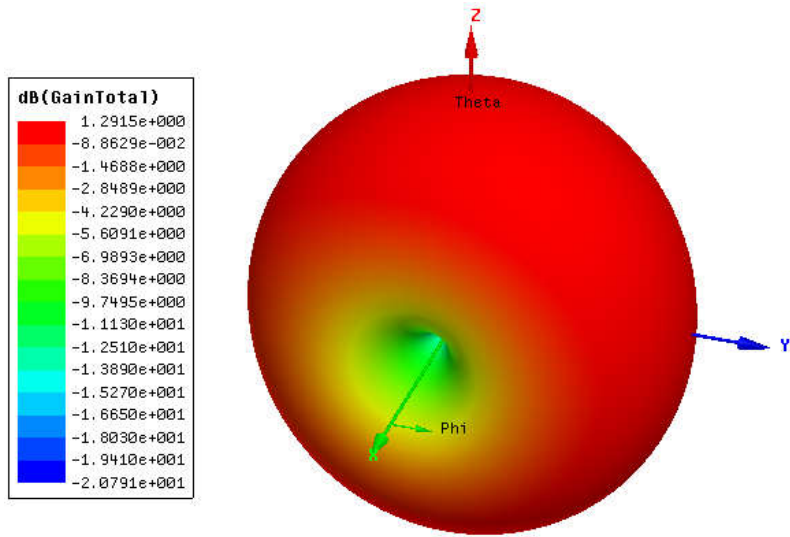


Center frequency point impedance: 50 欧姆@2.438GHz



5. Antenna Gain

Maximum directional gain: 1.29dBi



E 面:

