



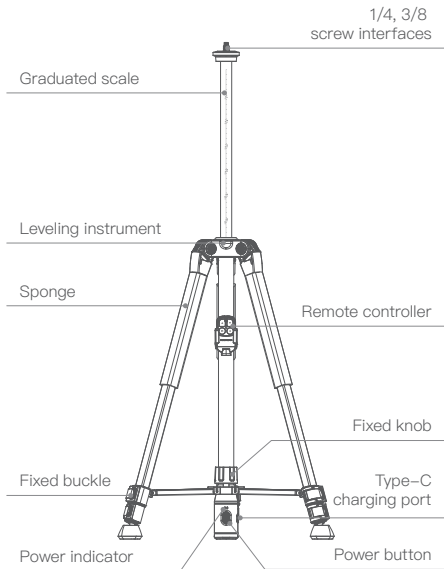
Wireless Remote Control Electric Tripod

Quick Start Guide



Master M20

■ Product Overview



■ Extended status

1



540mm

2



890mm

3



1265mm

4



1565mm

■ Product list

Before use, please check and ensure that the kit consists of all following items. In case of deficiency, please contact the customer service or your local agent.



Tripodx1



User manualx1



Remote controllerx1



Type-C charging cablex1

■ Function Introduction

Power On/Off of the tripod

Hold down the power button for over 3 seconds: switch On/Off the tripod
Double-click the power button: The motor ascends.

Triple-click the power button: The motor descends.

Single-click: The motor pauses.

* After 60 minutes when no operation sent on the working tripod, it will automatically enter standby status to save power. Single-click the power button then it will start working again.



Power button

■ Function Introduction

Charging the tripod

Low battery: Red indicator flickers.

Normal battery: Solid green indicator is on.

Charging: Solid red indicator is on.

Finish charging: Green indicator flickers.

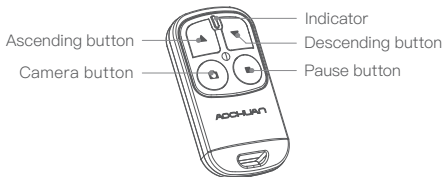
* If the tripod runs out of battery, its extension rod will automatically fold itself. After charging, the tripod can work normally again.



Power indicator

Function Introduction

Bluetooth Connection and Use



Connect the Bluetooth

1. Hold down the camera button on the remote for over five seconds, the Bluetooth is opened and the blue indicator flickers. Open the Bluetooth setting on your mobile phone. Search for the Bluetooth name "SelfieCom" and connect with it. When the indicator turns off, it indicates a successful connection with the Bluetooth.

2. Select the original camera/video on your mobile phone: single-click the camera button on the remote to take a picture / video with your original mobile phone.

* The remote needs to be connected with the Bluetooth Within five minutes after switching on the tripod. Or it will automatically turn off to save power. After ten minutes' connection with the Bluetooth, the remote will automatically enter standby status. Single-click the camera button to activate the remote controller.

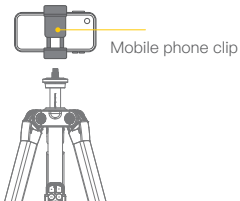
* The max. remote distance of camera function is 20 meters. The max. remote distance of ascend/descend function is 10 meters.

* In case of replacing the battery, please order CR2032 button battery in the store.

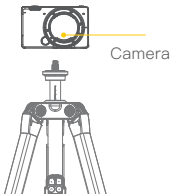
■ Using Scenario

1/4, 3/8 screw interfaces may fix the mobile phone, camera, hydraulic gimbal, fill-light, etc.

Mount the
mobile phone



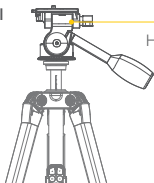
Mount the
camera



■ Using Scenario

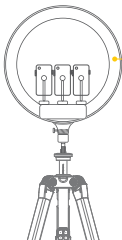
1/4, 3/8 screw interfaces may fix the mobile phone, camera, hydraulic gimbal, fill-light, etc.

Mount the
hydraulic gimbal



Hydraulic gimbal

Mount the
fill-light



Fill-light

■ Tripod parameters

Master M20	
Product size	113*600*102mm (folded size)
Product weight	1.3kg
Max. weight capacity	5kg
Max. weight capacity of the hook	10kg
Battery Life (max. Weight capacity)	200 times
Charging time	About 3 hours
Operation voltage	3.7V
Power input	5V/1A
Operation temperature while charging	-10~50°C
Li-ion Battery	3.7V/1500mAh

■ Cautions

1. Do not put the tripod into the fire or near high-temperature objects;
2. The tripod may be broken by dropping or crashing. Please use it with care;
3. Do not place the tripod near liquid or clean it with cleanser.;
4. Do not dismantle, repair or modify the tripod without professional guide;
5. This product is not suitable for children.

Thank you for selecting Mster M20. All the contents mentioned in this article are related to your safety, legal rights and responsibilities. Before use, please read the instruction carefully. Operate the tripod as per the product instructions and warnings so as to avoid injury or damage to yourself or others around you. We reserve the right of final interpretation on all relevant documents, which are subject to update without notice. Please visit the official website www.yg-free.com to obtain the latest product information.

Once you use this product, we will regard that you have read the disclaimer and warning carefully; furthermore comprehend and accept all the terms and contents of this statement. It means that you agree to take full responsibility as well as possible consequences while using this product. Furthermore, you promise to use the product for legitimate purposes only, as well as agree to these terms and any relevant regulations, policies and guidelines formulated by our company.

■ Cautions

My company shall not be responsible for the loss, injury and any legal liability caused by the direct or indirect use of the product. The user shall follow but not limited to all safety guidelines mentioned herein.

This user instruction is for reference only, which isn't any form of commitment. The tripod (including color, sizes, etc.) refers to the real product.

FCC Statement

This device complies with part 15 of the FCC rules. Operation is subject to the following two conditions: (1) this device may not cause harmful interference, and (2) this device must accept any interference received, including interference that may cause undesired operation.

Changes or modifications not expressly approved by the party responsible for compliance could void the user's authority to operate the equipment.

NOTE: This equipment has been tested and found to comply with the limits for a Class B digital device, pursuant to part 15 of the FCC Rules. These limits are designed to provide reasonable protection against harmful interference in a residential installation. This equipment generates uses and can radiate radio frequency energy and, if not installed and used in accordance with the instructions, may cause harmful interference to radio communications. However, there is no guarantee that interference will not occur in a particular installation. If this equipment does cause harmful interference to radio or television reception, which can be determined by turning the equipment off and on, the user is encouraged to try to correct the interference by one or more of the following measures:

- Reorient or relocate the receiving antenna.
- Increase the separation between the equipment and receiver.
- Connect the equipment into an outlet on a circuit different from that to which the receiver is connected.
- Consult the dealer or an experienced radio/TV technician for help.

The device has been evaluated to meet general RF exposure requirement. The device can be used in portable exposure condition without restriction.

■ Warranty Services:

Warranty Clauses

1. In case of poor performance or problems on the product within 7 days to the date of receipt, users may ask for replacement or money refund as per the invoice;
2. In case the product occurs quality problems within 12 months, users can enjoy free maintenance;
3. Dismantling, modifying without authority doesn't enjoy free warranty.
4. Users should provide the proof of purchase.

Non-Warranty Clauses

1. Dismantle or modify the product without authorization; Drop the product, etc.;
2. Damage caused by force majeure (fire disaster, flood disaster, etc.);
3. Damage caused by non-compliance of the user instruction;
4. Exceeding the warranty period.

Cautions

1. Users may send the faulty products back to our post-sale service centre. After receiving it, our technicians will test and clear the issues and responsibilities.
2. After tests, in case the returned product doesn't meet the free-repair conditions, reasonable maintenance fees will be charged accordingly. The users may ask for repair or return it.
3. We hold the final explanation right.