

樣品承認書

客 戶: _____
品 名: 433MHZ 彈簧天線
料 號: HX-B77
客戶料號: _____
送樣日期: _____

客戶確認			供應廠商	
工程 部	品保 部	採購 部	核 准	送 樣 人
				

地址：東莞市沙田鎮楊公洲楊和路75號

TEL : 0769-81663533 FAX: 0769-89361945

E-mail:nogps@qq.com

Http://www.nogps.cn

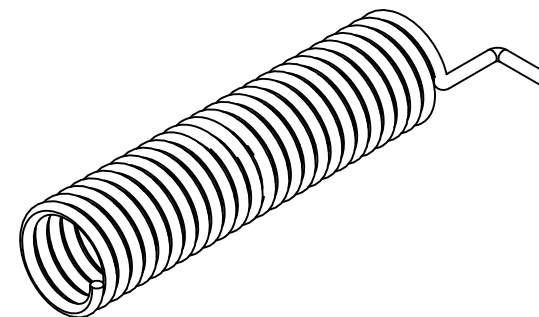
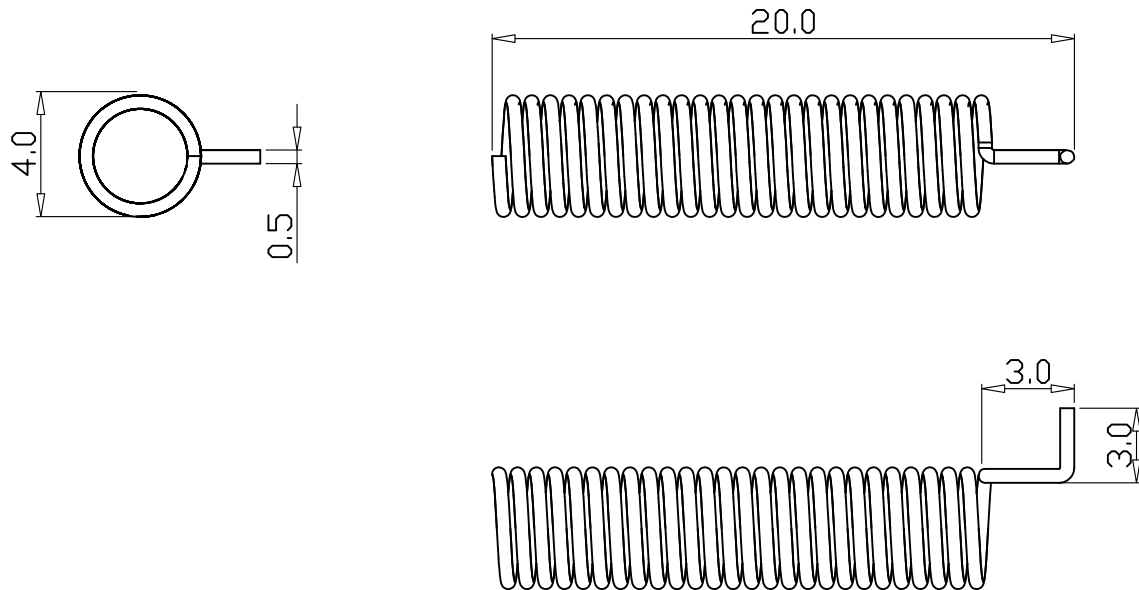
http://hxnogps.1688.com

目 录

1.封面-----	1
2.目录-----	2
3.成品图面-----	3
4.测试报告-----	4
5. Cable Specification-----	7

RoHS
Compatible

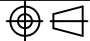


序号	日期	原因	确认人
B			
C			
D			



弹簧技术要求 公差:

弹簧材料	磷铜	直径	0.5mm
旋转方向	/	旋转有效圈数	26T
出脚方式	单边	孔距	/
弹簧上部尺寸			
弹簧下部尺寸			
弹簧高度			

东莞市亨松电子科技有限公司

PART NAME: 弹簧天线			
PART NO.: HX-B77 .W01		DATE: 2017-11-08	
APPROVED BY	CHECKED BY	DESIGNED BY	 Tolerance X.X ±0.50 X.XX±0.15 X° ±3°
 赵守刚 2017.11.08	 李红 2017.11.08	张雅军	
UNITS: mm		REVISION:A	
SCALE: 1/1			

Index:

- 1. Reliability Testing**
- 2. Specification**
- 3. S Parameter Test Data**
- 4. Antenna Radiation Pattern**



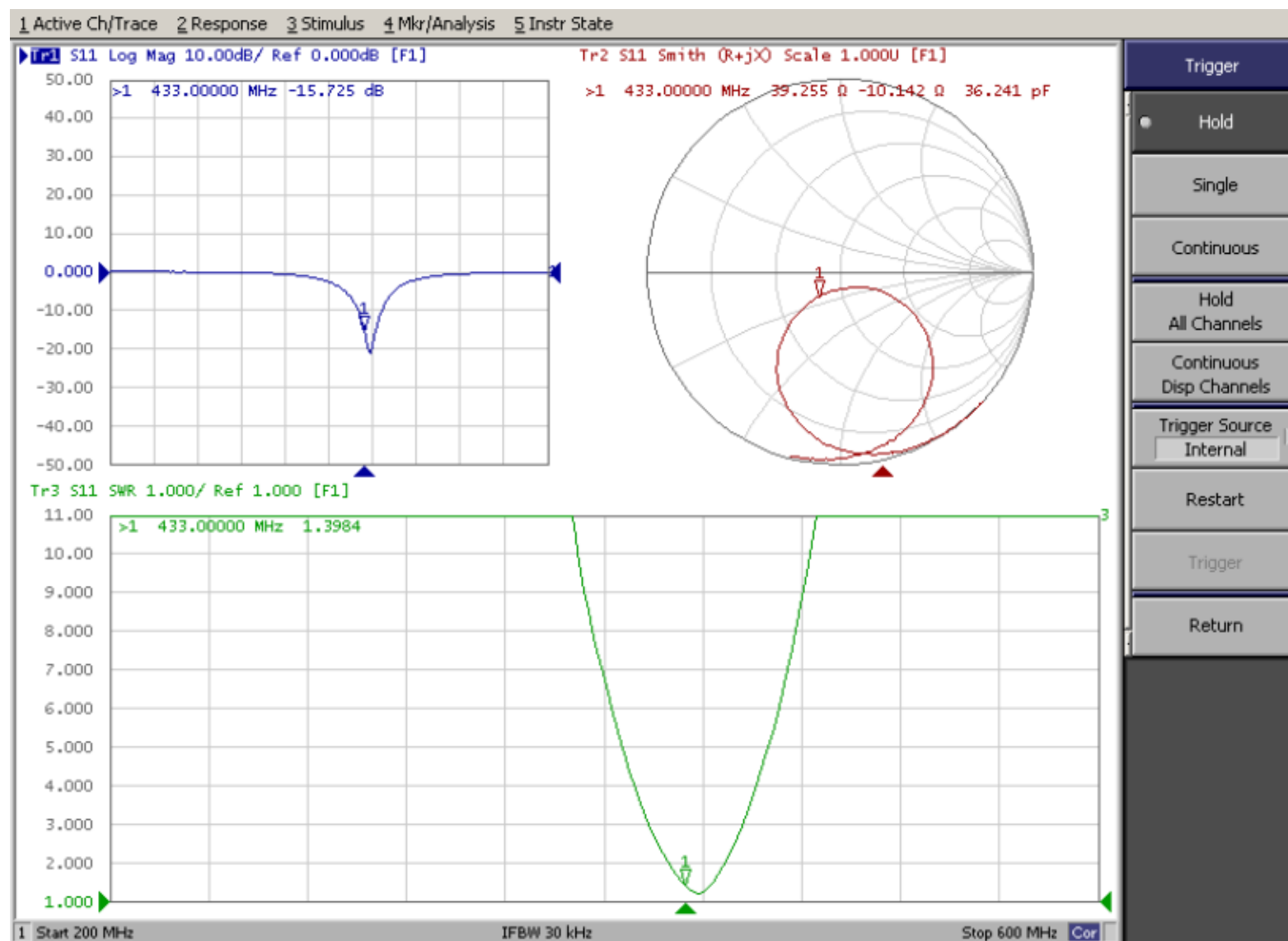
1. Reliability Testing

Test Item	Procedure	Requirement
1. Visual inspection and Dimension Check	Applicable methods using x5 magnification	follow specification
2. Rapid Changing of Temperature	-40°C (30minutes) to 80°C (30minutes); 24 cycles	After 2 hours recovery: 1. no visible damage 2. bandwidth tolerance < ±5%
3. Damp Heat	24 hours at 60°C; 90 ~ 95% RH	After 2 hours recovery: 1. no visible damage 2. bandwidth tolerance < ±5%
4. Endurance	24 hours at 80°C	After 2 hours recovery: 1. no visible damage 2. bandwidth tolerance < ±5%
5. Connector Pull Strength Test	>= 1.0 Kg	Hold 2~3S: 1. no visible damage 2. bandwidth tolerance < ±5%

2. Specification

A. Electrical Characteristics	
S.W.R.(Tested in PC)	$\leq 2.0 @ 433\text{MHz}$
Typical Antenna Gain	$+1.0 \pm 0.5$
Impedance	50 Ohm
B. Material	
Material of Radiator	CU
Connector Type	N/A
C. Environmental	
Operation Temperature	$-30\text{ }^{\circ}\text{C} \sim +85\text{ }^{\circ}\text{C}$
Storage Temperature	$-30\text{ }^{\circ}\text{C} \sim +85\text{ }^{\circ}\text{C}$

3. S.W.R. Testing Result



4. Antenna Radiation Pattern

Testing Equipment Specification:

Antenna Anechoic Chamber Dimension: 8 x 4 x 4 m

Quiet Zone: 600mm @1 GHz

Isolation: >100dB @ 1 MHz ~ 10 GHz

Testing Equipment: Agilent 5071B

Received Antenna: 0.7 ~ 6.0 GHz for Gain Calibration

Double Ridged Horn Antenna

