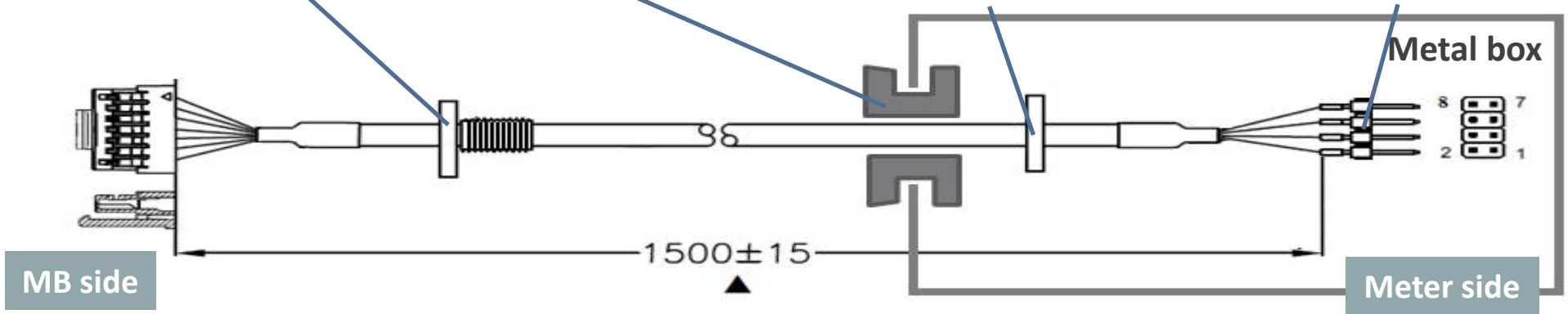
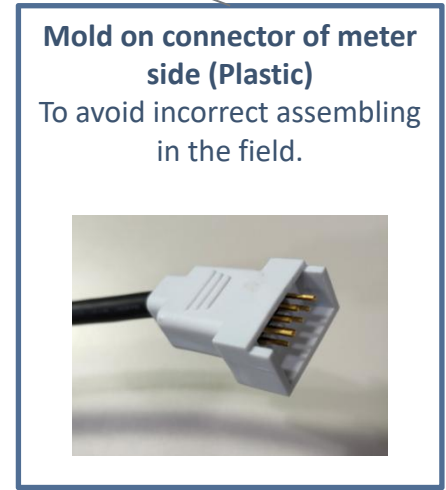
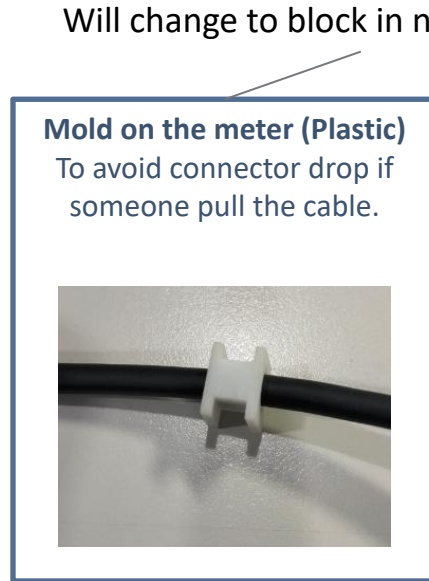


# PEGATRON 和碩聯合科技

Aetheros\_L+G cable assembling 20200609

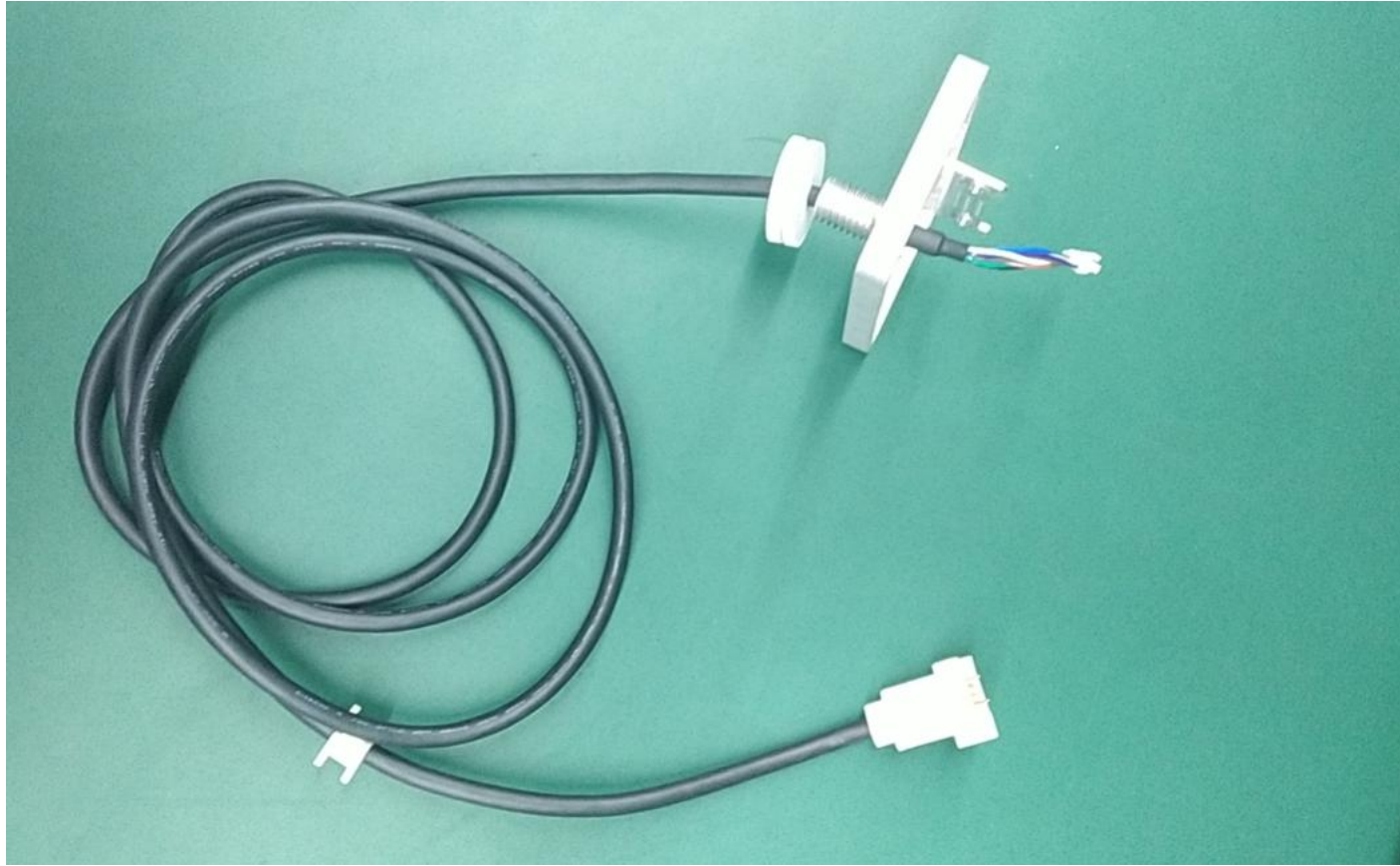


# L+G Cable design concept summary



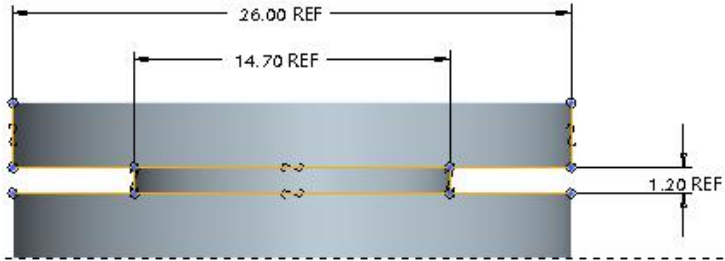
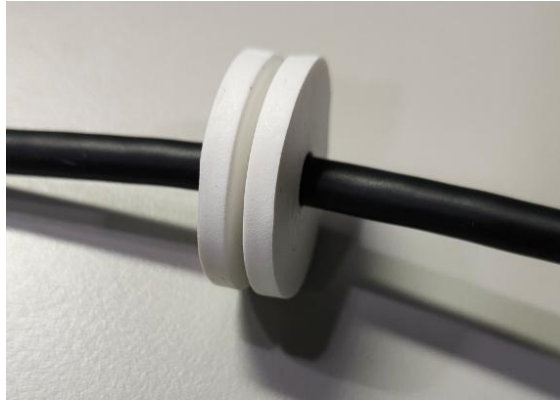
# Cable finish good

---



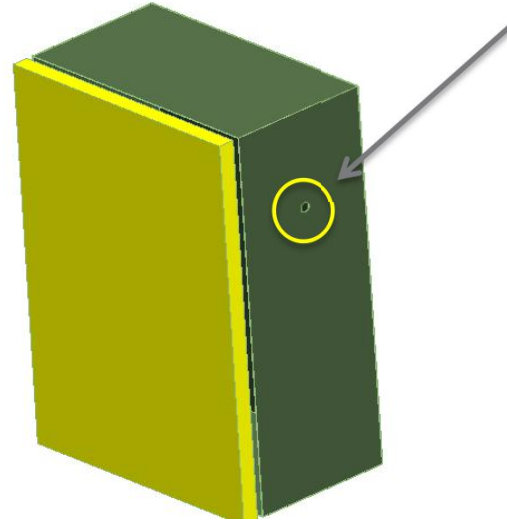
# Rubber for the hole on metal box

## Design concept



## Assembling SOP

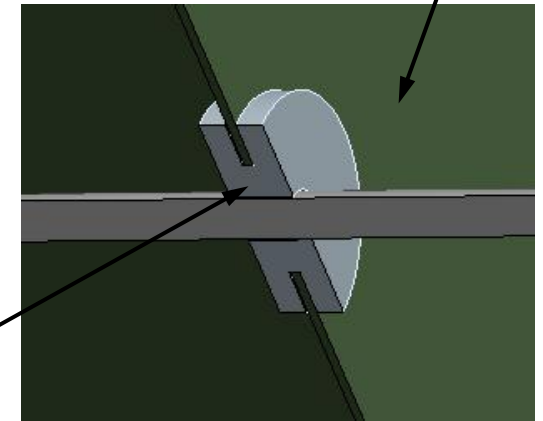
1. Put the rubber into the hole drilled on the metal box.



2. Finished.

Metal box

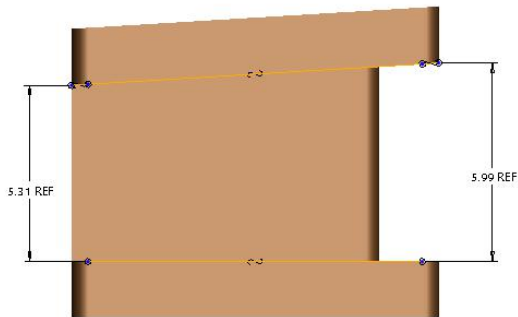
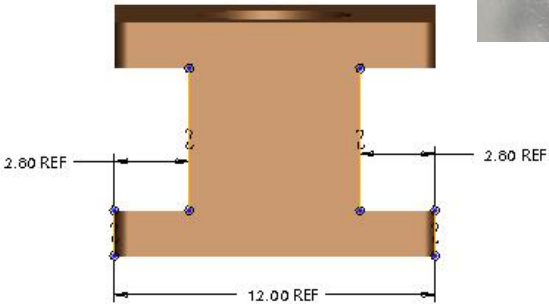
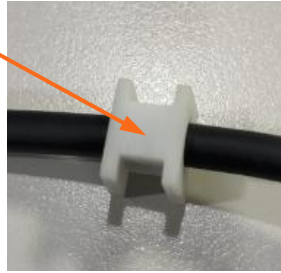
Cable molding



# Mold on the meter

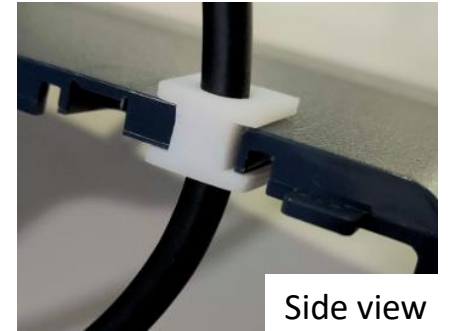
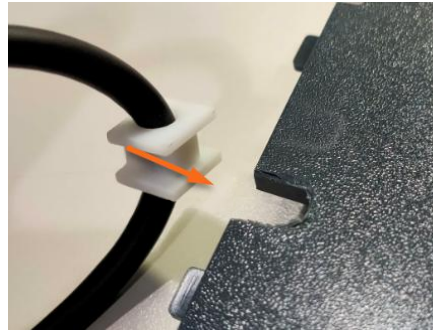
## Design concept

Cable molding

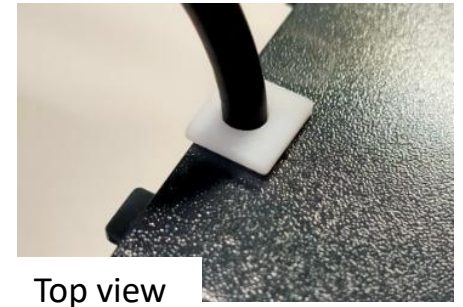


## Assembling SOP

1. Put the mold into the hole on meter cover.



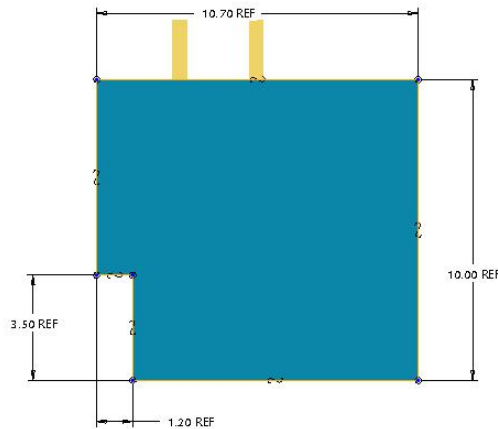
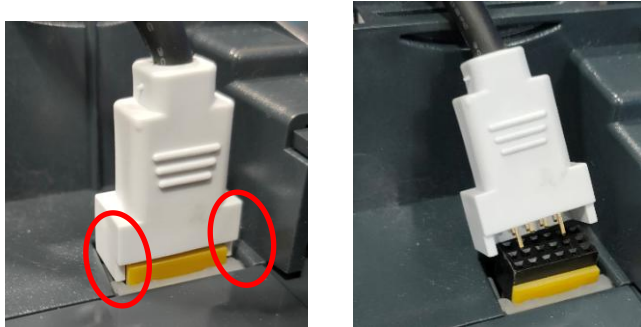
2. Assemble the top cover on the meter. Finished.



# Mold on connector of meter side

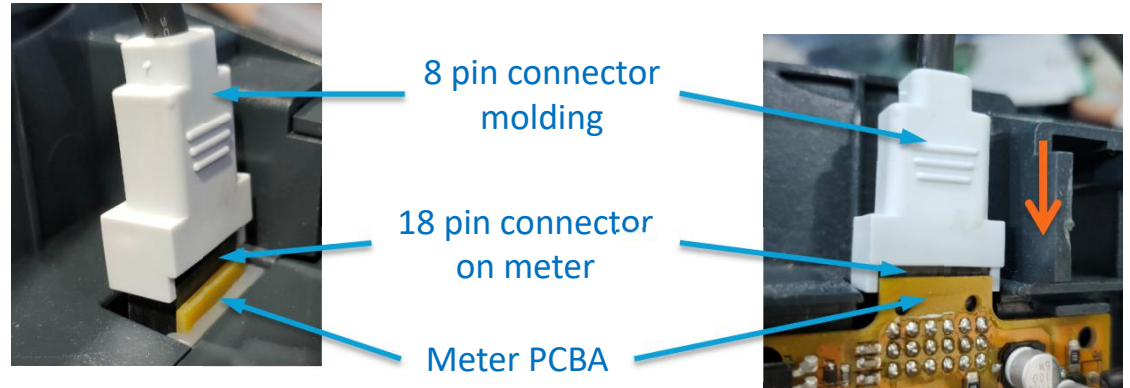
## Design concept

There is a step design to avoid incorrect direction.



## Assembling SOP

1. Plug in the 8pin connector on cable into 18pin header on meter. Finished.

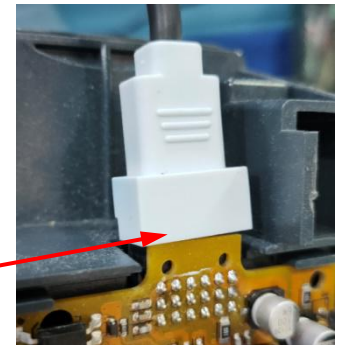


2. Finished.



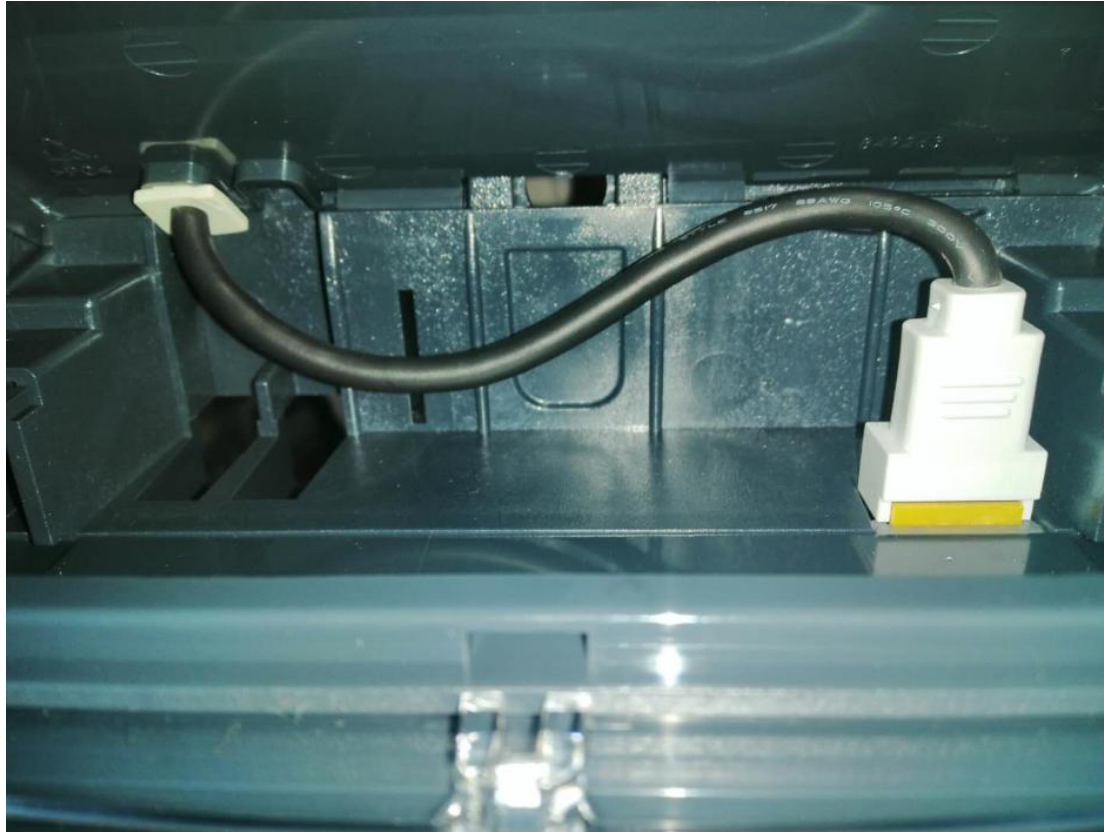
Note: if the 8pin cable assembling opposite, it will interfere with meter PCBA.

Interference



# Finish

- ❖ Put the meter top cover on.





THANK YOU.