

Operation Manual

S531 Multimedia Player



Product Features

- Wireless Version: 5.0
- Built-in Hi-Fi speaker
- Supports MP3 Files Stored in TF card
- Audio Input for Devices without Wireless Function
- Built-in Rechargeable Battery
- Resume/Memory Function
- High Quality Audio Codec Chip for perfect audio performance
- Radio function

Specifications

- Output power:5W
- Degree of Distortion:<10%
- Effective Operating Range:8-10m
- Dimensions:D11xH136mm
- Net Weight:430g

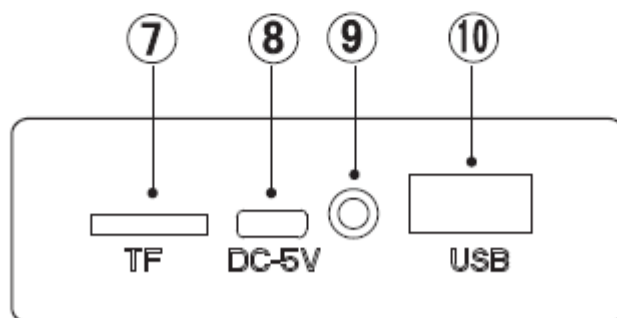
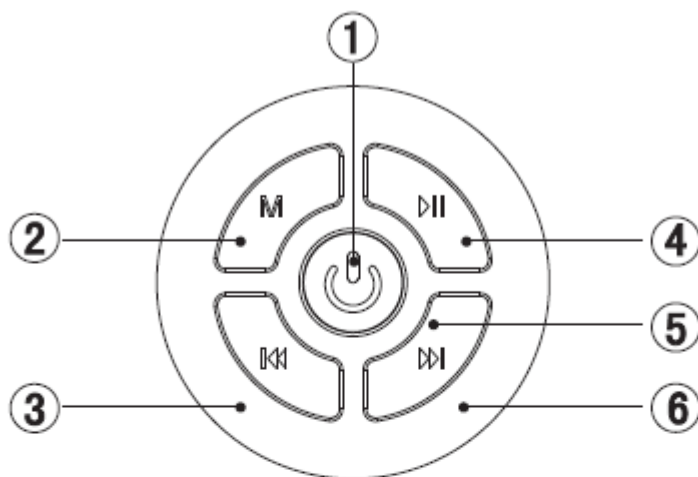
What's Included

- Wireless Speaker × 1
- Micro USB Charging Cable × 1
- User Manual × 1

Contact Us

If breakage, distortion, overheating or other abnormal situations occur, please stop usage and contact us .

Function Overview



Basic Functions

- 1、 Long press : POWER : ON/OFF; Short press:
- 2、 (M) Model key : BT/Aux/radio/ TF card/USB
- 3、 (⏮) Long press : Volume-, Short press: The last song/ The last channel, in the radio state
- 4、 (⏸) Play/Pause , callback , Double click will search for channels in the radio state
- 5、 LED
- 6、 (⏭) Long press : Volume+, Short press: The next song /The next channel, in the radio state
- 7、 (TF) TF card socket


- 8、 DC 5 V/USB charging
- 9、 Audio input port
- 10、 USB driver music playing optimal



Operating instructions :

1 - Open power key enter to the wireless connection mode, please connect with mobile phone device, wireless pairing name S531 !


2 - Open the speaker again: automatically search the last connection to the wireless device, if searching the last device more than 10 seconds, will exit the connection status. If it is found that the last connection to the Bluetooth device, automatically connect.

3-press the (Mode) key to enter the BT/audio input/radio/TF card mode conversion.

4-In radio mode, press  this key to search channels, will store the channels after searching.

press  /  this key to choose the last / the next channels selection.

5- After wireless connection, Can transfer the music of the mobile, through the button control the music like the last/next song, volume +/ volume - , pause/play, such as action, specific see key definitions.

6-light control: Press the Button  to change the color display of the light when the unit is turned on at any mode.

FCC warning statements:

This equipment has been tested and found to comply with the limits for a Class B digital device, pursuant to part 15 of the FCC Rules. These limits are designed to provide reasonable protection against harmful interference in a residential installation. This equipment generates, uses and can radiate radio frequency energy and, if not installed and used in accordance with the instructions, may cause harmful interference to radio communications. However, there is no guarantee that interference will not occur in a particular installation. If this equipment does cause harmful interference to radio or television reception, which can be determined by turning the equipment off and on, the user is encouraged to try to correct the interference by one or more of the following measures:

- Reorient or relocate the receiving antenna.
- Increase the separation between the equipment and receiver.
- Connect the equipment into an outlet on a circuit different from that to which the receiver is connected.
- Consult the dealer or an experienced radio/TV technician for help.

Caution: Any changes or modifications to this device not explicitly approved by manufacturer could void your authority to operate this equipment.

This device complies with part 15 of the FCC Rules. Operation is subject to the following two conditions: (1) This device may not cause harmful interference, and (2) this device must accept any interference received, including interference that may cause undesired operation.

The device has been evaluated to meet general RF exposure requirement.