

FCC Statement

This device complies with part 15 of the FCC rules. Operation is subject to the following two conditions: (1) this device may not cause harmful interference, and (2) this device must accept any interference received, including interference that may cause undesired operation.

Changes or modifications not expressly approved by the party responsible for compliance could void the user's authority to operate the equipment.

NOTE: This equipment has been tested and found to comply with the limits for a Class B digital device, pursuant to part 15 of the FCC Rules. These limits are designed to provide reasonable protection against harmful interference in a residential installation. This equipment generates uses and can radiate radio frequency energy and, if not installed and used in accordance with the instructions, may cause harmful interference to radio communications. However, there is no guarantee that interference will not occur in a particular installation. If this equipment does cause harmful interference to radio or television reception, which can be determined by turning the equipment off and on, the user is encouraged to try to correct the interference by one or more of the following measures:

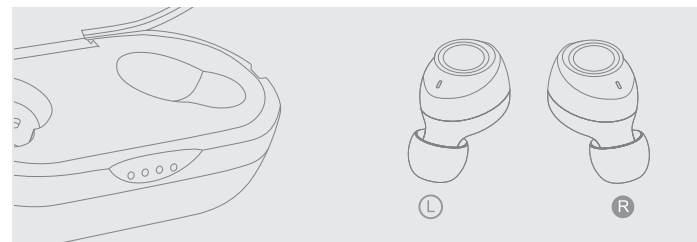
- Reorient or relocate the receiving antenna.
- Increase the separation between the equipment and receiver.
- Connect the equipment into an outlet on a circuit different from that to which the receiver is connected.
- Consult the dealer or an experienced radio/TV technician for help.

The device has been evaluated to meet general RF exposure requirement. The device can be used in portable exposure condition without restriction.



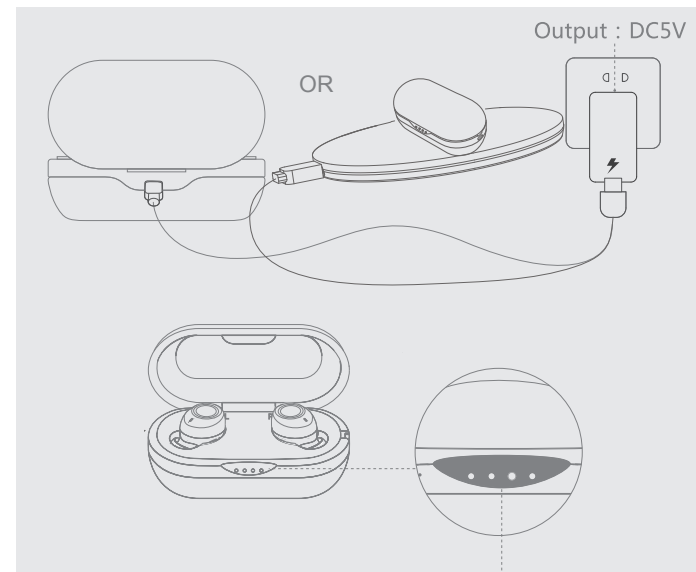
Please refer to our website for more details.

©2020 BY LYPERTEK.



CONTROL	▶ Play/Pause	x1	or	x1
	◀◀ Previous Track	x3		
	▶▶ Next Track			x3
	🔊 Volume Up			x2
	🔊 Volume Down	x2		
	☎ Answer Call	x1	or	x1
	📞 End Call	x1	or	x1
	📞 Reject Call	x1 for 1 sec	or	x1 for 1 sec
	🗣 Enable/Disable Voice Assistant*	x1 for 1 sec util hear 1 beep sound		
	🔊 Ambient Sound	x1 for 2 sec util hear 2 beeps sound		

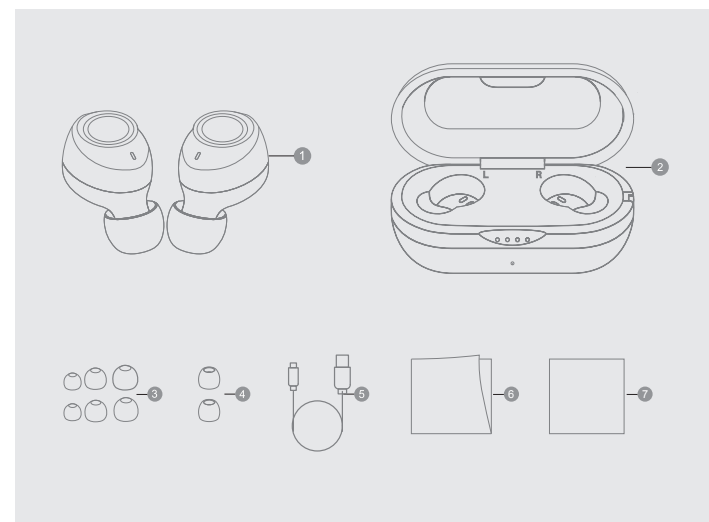
*Can't be activated when making calls or listening to music.



CHARGING ●●●● 0-25% ●●●● 50-75%
●●●● 25-50% ●●●● 75-100%

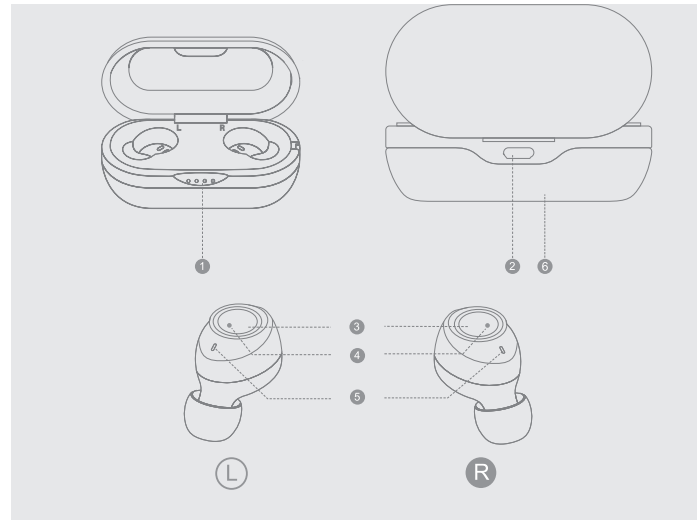


QUICK START GUIDE



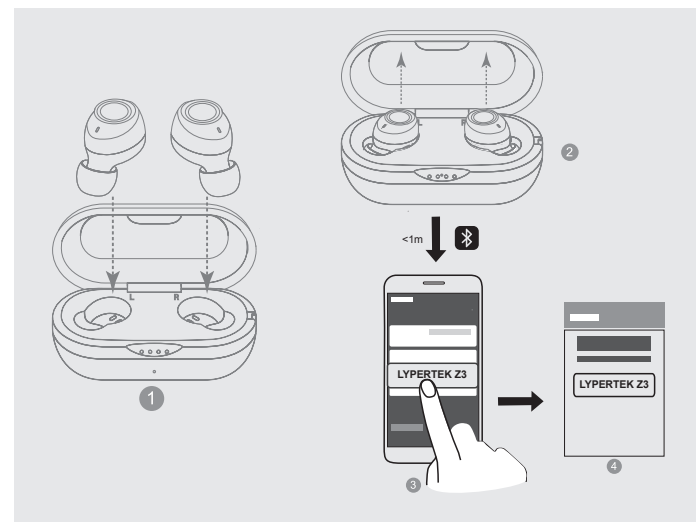
WHAT IS INSIDE?

- | | |
|-------------------------|---------------------|
| 1 LYPERTEK Z3 | 5 USB Type-C Cable |
| 2 Charging Case | 6 Quick Start Guide |
| 3 S, M, L Silicone Tips | 7 Thank You Card |
| 4 M Foam Tips | |



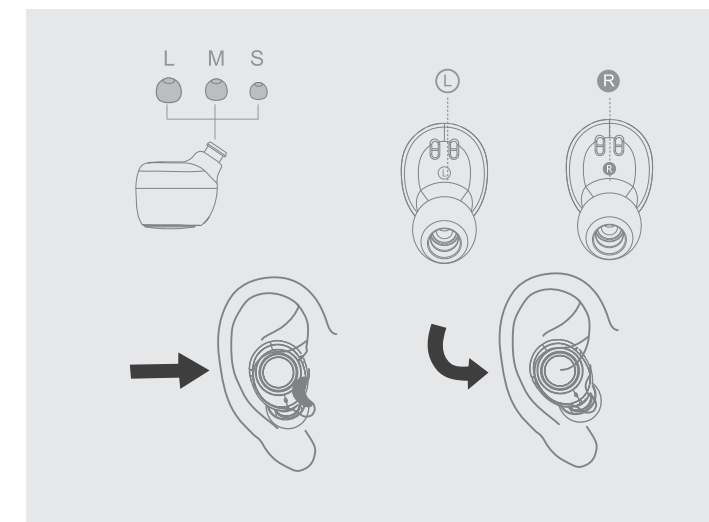
DEVICE LAYOUT

- 1 Case LED Indicator
- 2 Type-C Charging Port
- 3 Multifunction Button
- 4 LYPERTEK Z3 Indicator
- 5 Microphone
- 6 Wireless Charge



HOW TO PAIR?

- 1 Put LYPERTEK Z3 into Charging Case .
- 2 Take out LYPERTEK Z3 from Charging Case , it will enter the pairing mode automatically.
- 3 Select LYPERTEK Z3 from the DEVICES list in the phone.
- 4 Connected



HOW TO WEAR?

- 1 Choose the suitable eartips
- 2 Insert LYPERTEK Z3 into the ears
- 3 Twist slightly until it fits well