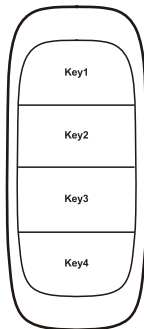


Linkind

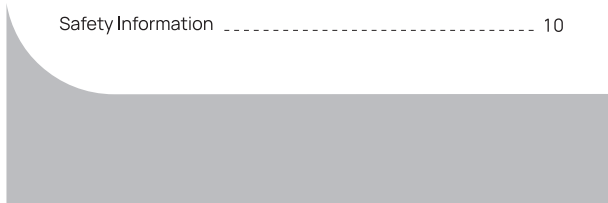
## User Manual

### 4-Key Remote Control

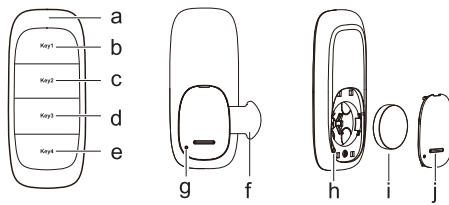


## CONTENT

Product introduction .....	01
Operational guideline .....	02
How to Pair Your Remote Control (e.g., Smart Plug) .....	03
How to Unpair Your Remote Control (e.g., Smart Plug) .....	04
Additional Recommendation .....	04
Quick Start Guide .....	05
Troubleshooting and FAQs .....	06
Certification .....	07
Statement .....	09
Safety Information .....	10



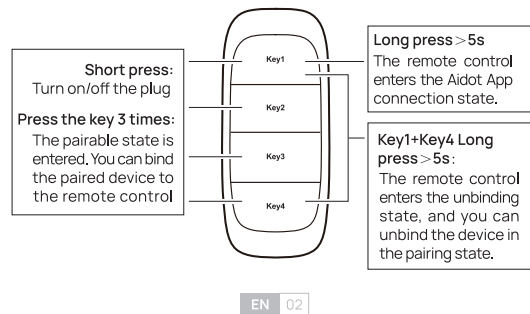
**Product introduction**



Part	Description
a	Indicator
b	Key1—Control The Smart Plug On/Off
c	Key2—Control The Smart Plug On/Off
d	Key3—Control The Smart Plug On/Off
e	Key4—Control The Smart Plug On/Off
f	Mylar

g	Pin hole
h	Reset button
i	Battery 3V CR2450
j	Battery covering

### Operational guideline



### How to Pair Your Remote Control (e.g., Smart Plug)

#### 1. Activate Pairing Mode on the Remote Control:

- Press any button on the remote control three times until the red light starts blinking. This indicates that the remote control is in pairing mode. ( The button pressed is the button for this pairing)
- **Tip: The remote control will remain in pairing mode for up to 60 seconds. To cancel pairing, press the pairing button briefly.**

#### 2. Activate Pairing Mode on the Plug:

- After plugging in the device, press and hold the button on the plug for 5 seconds. The green and yellow lights will flash alternately, indicating that the plug is now in pairing mode.

#### 3. Confirm Successful Pairing:

- When the green light on the plug flashes twice and then returns to its normal state, the pairing is successful.
- **Tip: Ensure the remote control and the plug are within 1 meter of each other and complete the pairing within 1 minute.**

### How to Unpair Your Remote Control (e.g., Smart Plug)

**1. Activate Unpairing Mode:**

- Press and hold buttons 1 and 4 simultaneously for 5 seconds to unpair all keys on the remote control.

**2. Confirm Successful Unpairing:**

- The plug will blink twice and then return to its normal state, indicating that the unpairing process is complete.
- **Tip:** The unpairing process should be completed within 60 seconds. To cancel the unpairing command, press any button during this period.

### Additional Recommendation

If your plug is already connected to the AiDot app, the paired remote control will automatically connect to AiDot as well. For the best experience and to enjoy a comprehensive IoT ecosystem, we strongly recommend downloading the AiDot app.

### Quick Start Guide

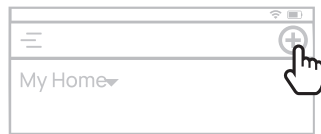
Step 1: Download the App on App Store or Google Play.



Google, Google Home and Google play are trademarks of Google LLC.

Step 2: Create an account and sign in.

Step 3: Press '+' button to add the device.



Step 4: Follow the instructions on App.

## Troubleshooting and FAQs

### 1. Factory default

- Insert to pin hole(g) for 3 seconds to trigger the reset button(h) without removing the battery covering(j) to reset the remote control to factory default.

### 2. Low power notification and Replace the battery

- Indicator (a) blinks five times notifies that the battery is low.  
Remove the battery covering (j) by screwdriver.
- Remove the battery covering (j) by screwdriver.
- Use flat blade screwdriver to pry out the battery to be replaced.
- Use flat blade screwdriver to pry out the battery to be replaced.  
Install a new 3V CR2450 battery(i).Replace the battery covering(j) on the remote control.

### 3. The remote control cannot pair with the plug.

- The pairing distance is too far, please perform the pairing operation within 0.5m
- If the pairing exceeds the specified time for 1min, please follow the matching operation steps again.

### 4. The remote control cannot unpair the plug.

- The pairing distance is too far, please unpair within the range of 0.5m
- If pairing exceeds the specified 1min, please follow the unpairing procedure again



## Certification

Safety certification:

CE/FCC Certification agreement:

BLE Usage Environment Requirements

Operating Temperature: 32°F to 104°F (0°C to 40°C) Operating Humidity: Up to 85% non-condensing Storage Temperature: -4°F to 140°F (-20°C to 60°C) Environmental requirements: RoHS/REACH

FCC Statement

This device complies with part 5 of the FCC Rules. Operation is subject to the following two conditions:

(1) this device may not cause harmful interference:

and (2) this device must accept any interference received, including interference that may cause undesired operation.

Any changes or modifications not expressly approved by the party responsible for compliance could void the user's authority to operate the equipment.

**NOTE:** This equipment has been tested and found to comply with the limits for a Class B digital device, pursuant to Part 5 of the FCC Rules. These limits are designed to provide reasonable protection against harmful interference in a residential installation. This equipment generates, uses and can radiate radio frequency energy and, if not installed and used in accordance with the instructions, may cause harmful interference to radio communications. However, there is no guarantee that interference will not occur in a particular installation.

If this equipment does cause harmful interference to radio or television reception, which can be determined by turning the equipment off and on, the user is encouraged to try to correct the interference by one or more of the following measures:

- Reorient or relocate the receiving antenna.
- Increase the separation between the equipment and receiver.
- Connect the equipment into an outlet on a circuit different, from that to which the receiver is connected.
- Consult the dealer or an experienced radio/TV technician for help.

**RF Exposure Statement**

The device has been evaluated to meet general RF exposure requirement. The device can be used in portable exposure condition without restriction

**IC Statement**

This device complies with Industry Canada's licence-exempt RSSs. Operation is subject to the following two conditions:

- (1) This device may not cause interference; and
- (2) This device must accept any interference, including interference that may cause undesired operation of the device.

L'émetteur/récepteur exempt de licence contenu dans le présent appareil est conforme aux CNR d'Innovation, Sciences et Développement économique Canada applicables aux appareils radio exempts de licence. L'exploitation est autorisée aux deux conditions suivantes :

L'appareil ne doit pas produire de brouillage;

L'appareil doit accepter tout brouillage radioélectrique subi, même si le brouillage est susceptible d'en compromettre le fonctionnement.

ISED 20cm RF

ISED RF Radiation Exposure Statement:

This equipment complies with IC RSS-102 radiation exposure limits set forth for an uncontrolled environment. This equipment should be installed and operated with a minimum distance of 20cm between the radiator and any part of your body.

Pour se conformer aux exigences de conformité CNR 102 RF exposition, une distance de séparation d'au moins 20 cm doit être maintenue entre l'antenne de cet appareil et toutes les personnes.

## Statement

Statement (1):

- a. Remove and immediately recycle or dispose of used batteries according to local regulations and keep away from children. Do NOT dispose of batteries in household trash or incinerate.\*
- b. Even used batteries may cause severe injury or death.
- c. Call a local poison control center for treatment information.
- d. The compatible battery type CR2450.
- e. The nominal battery voltage 3VDC.
- f. Non-rechargeable batteries are not to be recharged.\*
- g. Do not force discharge, recharge, disassemble, heat above (manufacturer's specified temperature rating) or incinerate. Doing so may result in injury due to venting, leakage or explosion resulting in chemical burns.

Statement (2):

- a. Ensure the batteries are installed correctly according to polarity (+ and -).
- b. Do not mix old and new batteries, different brands or types of batteries, such as alkaline, carbon-zinc, or rechargeable batteries.
- c. Remove and immediately recycle or dispose of batteries from equipment not used for an extended period of time according to local regulations.
- d. Always completely secure the battery compartment. If the battery compartment does not close securely, stop using the product, remove the batteries, and keep them away from children.

#### Safety Information

**▲WARNING**

Keep out of reach of children. This product contains tiny components, which can cause choking or injury if ingested.

**▲WARNING**

- Keep batteries away from children. This product contains coin/button cell batteries.
- If the coin/button cell battery is swallowed, it can cause severe internal burns in just 2 hours and can lead to death. Keep away from infants and small children at all times.
- If battery is swallowed or placed inside any part of the body, immediately seek EMERGENCY medical attention.
- Battery may rupture if the incorrect type of battery is used. Follow the instructions in this manual.
- Dispose of used battery promptly.

**▲WARNING**

Used batteries should be disposed of at an appropriate recycling center. Do not discard with normal household trash, DO NOT BURN.

**▲WARNING**

- Any battery has the potential to leak harmful chemicals that can damage skin, clothing or the inside of the alarm. To avoid risk of injury, do not allow any substance leaked from the battery to come in contact with eyes or skin. Any battery has the potential to rupture and may even explode if exposed to fire or other forms of excessive heat. Use caution at all times when handling batteries.
- Do not use rechargeable or reusable batteries.
- Do not allow children to install batteries unsupervised.
- Follow battery manufacturer's instructions for proper handling, storage and disposal of batteries.

**▲CAUTION**

- Do not install in wet locations.
- Outside the premises (outdoors).
- Near the metal objects and mirrors that cause radio signal attenuation or shading it.
- Near the powerful main wiring.

# Linkind

SPRING SUNSHINE TECHNOLOGY CO., LIMITED FLAT/RM 01-04, 24/F,  
FU FAI COMMERCIAL CENTRE, 27 HILLIER STREET, SHEUNG WAN, HK  
Manufacturer: Leedarson IoT Technology Inc.

Address: No.1511, 2nd Fanghu North Rd, Huli District, Xiamen, China

☎ Phone: 1-877-770-5727 (Mon.-Fri. 9 to 5 PST)

📘 @linkind.lights

🌐 <http://www.linkind.com>

🌐 @linkindofficial

✉ Email: [service@linkind.com](mailto:service@linkind.com)

📺 @linkindofficial



Made in China V1.0





Linkind	尺寸: 80*80mm	SKU:
	材质及工艺: 105g铜版纸 骑马订	日期及版本号: 240520 V1.0
	颜色: k	备注: