

# Quick installation guide

## Installation instructions

### Installation Method 1

1. Remove the bracket from the main device and fix it at the electrical switch box with 2 screws (M4\*40) on the wall.
2. Mount the device, starting from top to bottom, onto the bracket.
3. Use an Allen key to tighten the device and the bracket from the top of the device with 2 set screws (M3\*10) to complete the installation.

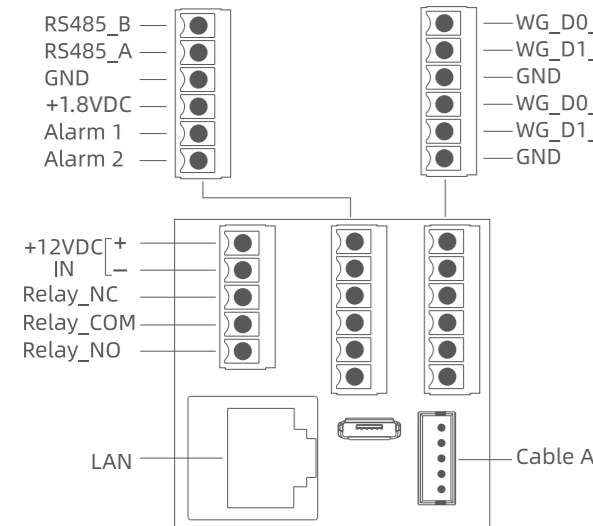
### Installation Method 2

1. Choose an appropriate mounting location and affix the positioning sticker to the mounting location.
2. Create holes in the mounting location, at the positions marked by hole 5 and hole 6 on the positioning sticker. (Recommended aperture: 6mm, Depth: 40mm)
3. Remove the positioning sticker.
4. Remove the bracket from the main device and fix it on the wall with 2 sets of expansion bolts(M4\*25).
5. Mount the device, starting from top to bottom, onto the bracket.
6. Use an Allen key to tighten the device and the bracket from the top of the device with 2 set screws (M3\*10) to complete the installation.

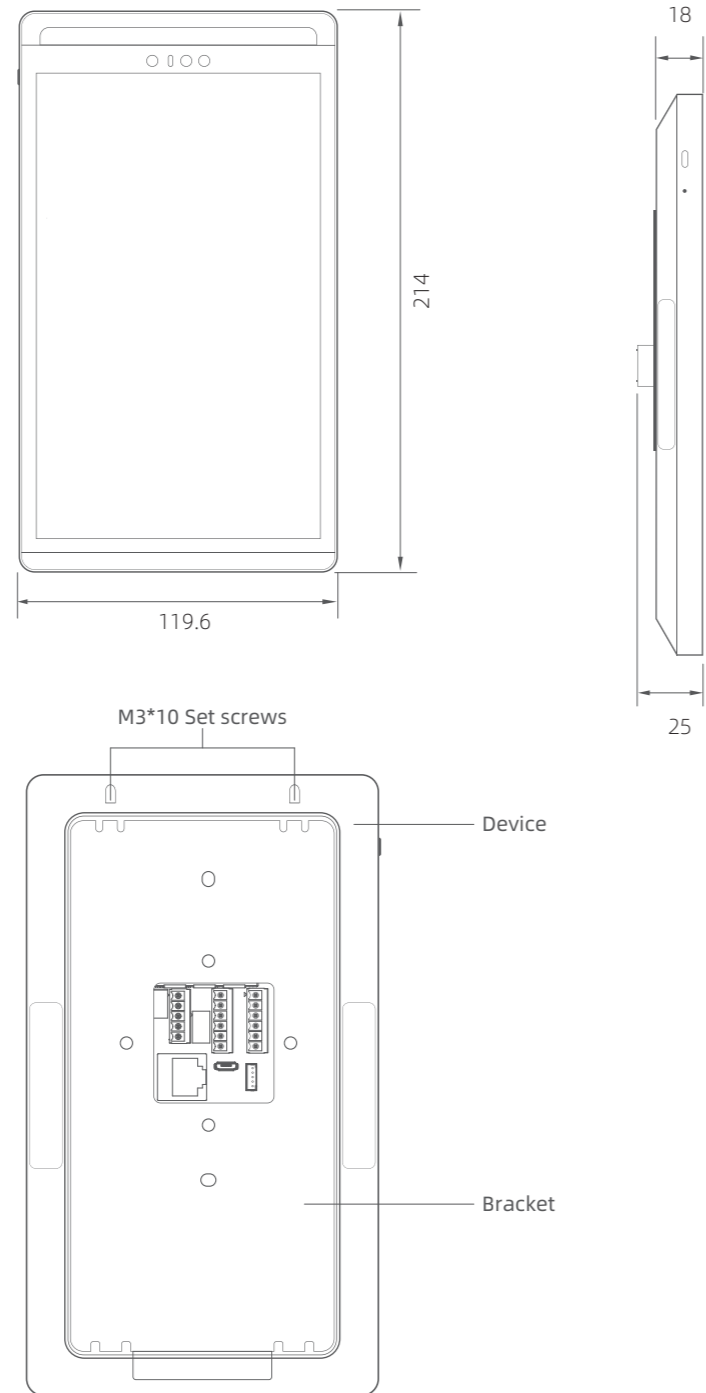
### Note:

1. Use an Allen key to uncrew the two set screws from the top of the main device to remove the bracket.
2. Depending on your mounting location, select the appropriate holes on the positioning sticker to mount the device onto the electrical wall switch box.
3. When installing, please use the screws provided in the accessories of the product to prevent the bracket from not being installed tightly with the device.

## Port description



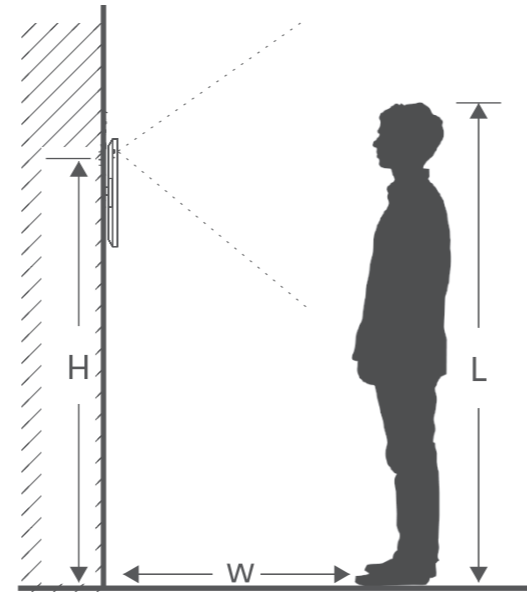
## Dimensional drawing(unit: mm)



## Recognizable positon

Height range		
Person to wall camera distance W (cm)	Camera to ground distance H (cm)	Recognizable height L (cm)
60	130	80-200
	140	90-210
	150	100-220

Note: The recognizable height L is proportional to the camera to ground distance H.



## Specification

Liiveness Detection	Support	
Verification Method	1:1, 1:N, 1:1/1:N	
Recognition Speed	0.3s/person (1:N mode)	
User Capacity	Up to 100000 users	
Operating System	Android 8.1	
Camera	Dual wide-angle camera (RGB+NIR)	
Display	8-inch LCD touch display	
Multi touch	Support	
Tamper alarm	Support	
Operating temperature	-10°C ~ 55°C	
Relative Humidity	5% to 95% noncondensing	
Dimensions	119.6*214*25mm	
Power Supply	DC 12V 2A	
Communication Method	Wi-Fi	Support 2.4 GHz/5 GHz, IEEE 802.11a/g/b/n;
	Bluetooth	Support Bluetooth 4.1+BLE
	Ethernet	Support
Physical interface	RS485*1, Wiegand TX*1, Wiegand RX*1, Dry contact*1, RJ45*1, Alarm interface*3	
Power button	Support	

## Product packing list

No.	Product and accessory description	Specification	Quantity
1	Device	/	1
2	Screw	M4*40	4
3	Screw(for stand)	M4*20	4
4	Set screws	M3*10	2
5	Allen key	M3	1
6	Expansion bolt	M4*25	2
7	Terminal	6Pin	2
8	Terminal	5Pin	1
9	Water-proof gasket	/	1
10	Positioning sticker	/	1
11	Quick installation guide	/	1
12	Product warranty booklet	/	1

WIFI 2.4G B/G/N  
WIFI 5G -5.8G band 1/2/3/4

Remark: This product can be used across EU member statesWe declares that this device is in compliance with the essential requirements and other relevant rovisions of Directive 2014/53/EU.Our product do not contains the AC/DC apter.You need purchase the DC 12V/2A compliance the directive 2014/30/EU.

The adapter shall be installed near the equipment and shall be easily accessible.

## FCC Warning:

Any Changes or modifications not expressly approved by the party responsible for compliance could void the user's authority to operate the equipment.

This device complies with part 15 of the FCC Rules. Operation is subject to the following two conditions: (1) This device may not cause harmful interference, and (2) this device must accept any interference received, including interference that may cause undesired operation.

## FCC Radiation Exposure Statement:

This equipment complies with FCC radiation exposure limits set forth for an uncontrolled environment. This equipment should be installed and operated with minimum distance 20cm between the radiator& your body. This transmitter must not be co-located or operating in conjunction with any other antenna or transmitter.

Note: This equipment has been tested and found to comply with the limits for a Class B digital device, pursuant to part 15 of the FCC Rules. These limits are designed to provide reasonable protection against harmful interference in a residential installation. This equipment generates uses and can radiate radio frequency energy and, if not installed and used in accordance with the instructions, may cause harmful interference to radio communications. However, there is no guarantee that interference will not occur in a particular installation. If this equipment does cause harmful interference to radio or television reception, which can be determined by turning the equipment off and on, the user is encouraged to try to correct the interference by one or more of the following measures:

—Reorient or relocate the receiving antenna.

—Increase the separation between the equipment and receiver.

—Connect the equipment into an outlet on a circuit different from that to which the receiver is connected.

—Consult the dealer or an experienced radio/TV technician for help.