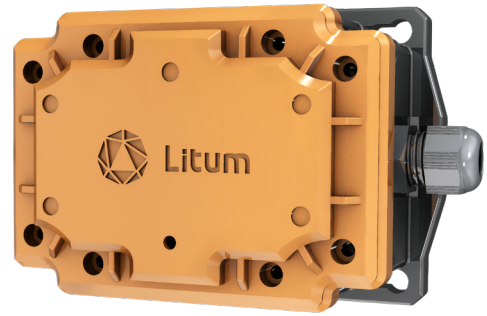
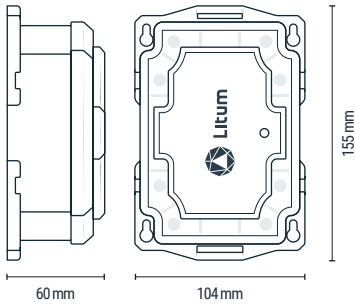


FORKLIFT COLLISION WARNING | Proposed Product Specifications

LITUM® FORKLIFT SAFETY SOLUTION

Litum Forklift Safety Solution is a collection of hardware and software designed to alert possible forklift-to-forklift and forklift-to-people collisions creating a higher awareness for the moving lifting equipment and the people in an industry setting.

Litum Forklift Safety Solution can easily be integrated while providing flexibility as the safety guidelines and parameters can be configured to fit the business requirements.



Features

- Compact and robust design
- CANBus included for auto speed and height adjustments
- Different mounting types
 - Screwdown
 - With cable tie
 - With belt
- High processor performance for business rules

Benefits

- Automatic operator detection
- Configurable warning and alarm zone distances
- Wireless alert box support for Audiovisual alerts
- Improves forklift movements to avoid collision
- Highly accurate location detection

Use Cases

- Vehicle tracking
- Zone access control
- Proximity detection
- People - vehicle & vehicle - vehicle

Technical Specifications

General	Scope	Vehicle
Physical	Dimensions	104 x 155 x 60 mm (4.10 x 6.10 x 2.35 in.)
	Weight	256 g (9.05 oz)
	Operating Temperature	Test phase
	Relative Humidity	Test phase
	Environmental Protection	Test phase
	Vibration Resistance	Test phase

Physical	Casing	PP GF%30 V0
	Remote Firmware Upgrade	Yes
	Power	9 - 30 V
	CANBus	Optional
Features	Indicators	LED (RGB)
	Alert Box	Wireless (Optional)
	Frequency	2.475GHz SRD ,6.4896GHz UWB
Other	Certification	Pending (FCC, IC, CE)

SKU No.	Product Name	Comm. Port	CANBus	CW	Alert Box (Wireless)	Indicators	ISM	UWB	Firmware
4300000001	Litum Forklift Collision Warning System, CANBus	✗	✓	✗	✗	LED (RGB)	✗	✓	TBD
4300000002	Litum Forklift Collision Warning System, Wireless Alert Box	✗	✗	✓	✓	LED (RGB) + Alert Box (Led + Siren)	✓	✓	TBD
4300000003	Litum Forklift Collision Warning System, CANBus, Wireless Alert Box	✗	✓	✓	✓	LED (RGB) + Alert Box (Led + Siren)	✓	✓	TBD

FCC Warning

This device complies with part 15 of the FCC Rules. Operation is subject to the following two conditions: (1) This device may not cause harmful interference, and (2) this device must accept any interference received, including interference that may cause undesired operation.

Any Changes or modifications not expressly approved by the party responsible for compliance could void the user's authority to operate the equipment.

Note: This equipment has been tested and found to comply with the limits for a Class B digital device, pursuant to part 15 of the FCC Rules. These limits are designed to provide reasonable protection against harmful interference in a residential installation. This equipment generates uses and can radiate radio frequency energy and, if not installed and used in accordance with the instructions, may cause harmful interference to radio communications. However, there is no guarantee that interference will not occur in a particular installation. If this equipment does cause harmful interference to radio or television reception, which can be determined by turning the equipment off and on, the user is encouraged to try to correct the interference by one or more of the following measures:

- Reorient or relocate the receiving antenna.
- Increase the separation between the equipment and receiver.
- Connect the equipment into an outlet on a circuit different from that to which the receiver is connected.
- Consult the dealer or an experienced radio/TV technician for help.

The device has been evaluated to meet general RF exposure requirement. The device can be used in portable exposure condition without restriction.

430 Collision Warning System belongs to FCC Part 15.517 indoor UWB systems.

“This equipment may only be operated indoors. Operation outdoors is in violation of 47 U.S.C. 301 and could subject the operator to serious legal penalties.”

IC Warning

This device complies with Industry Canada's licence-exempt RSSs. Operation is subject to the following two conditions:

- (1) This device may not cause interference; and
- (2) This device must accept any interference, including interference that may cause undesired operation of the device.

The device has been evaluated to meet general RF exposure requirement. The device can be used in portable exposure condition without restriction.

Cet appareil est conforme aux CNR exemptes de licence d'Industrie Canada . Son fonctionnement est soumis aux deux conditions suivantes :

- (1) Ce dispositif ne peut causer d'interférences ; et
- (2) Ce dispositif doit accepter toute interférence , y compris les interférences qui peuvent causer un mauvais fonctionnement de l'appareil.

Le dispositif a été conçu pour répondre à la demande générale de radioexposition.