
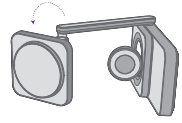



每面4.72x8.5cm
105g哑粉纸
单黑*1专 双面印刷
风琴折9页8折







3-in-1 Foldable Wireless Charging Desktop Stand

> SUPPORT@LISEN.COM

ACCESSORY LIST

- 1 Foldable wireless charging holder
- 2 C to C cable 1m
- 3 charger

CHARGING OVERVIEW

3-IN-1

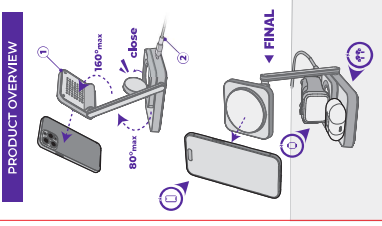
INPUT: 5V 2A, 9V 2A, 12V 2A

OUTPUT: Support up to 15W (5V/3A), 18W (9V/2A), 20W (12V/1.67A)

OUTPUT: Support Apple Watch charging, support up to 5W

OUTPUT: Support iPhone/iPad/iPhone SE (2nd generation) charging, support up to 15W

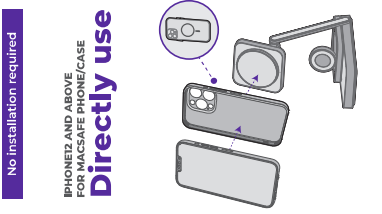
PRODUCT OVERVIEW



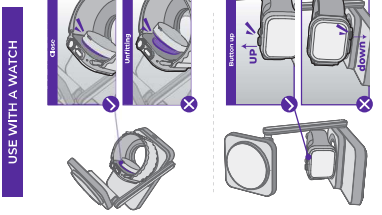
1. Place the phone on the holder base.
2. Adjust the angle of the holder base to 80° or 160°.
3. Close the holder base.
4. FINAL

No installation required

IPHONE3 AND ABOVE FOR MACSAFE PHONE/CASE Directly use



USE WITH A WATCH

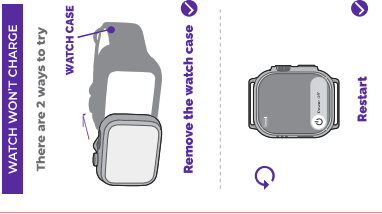


1. Watch charging.
2. Watch charging.
3. Watch charging.

WATCH WON'T CHARGE

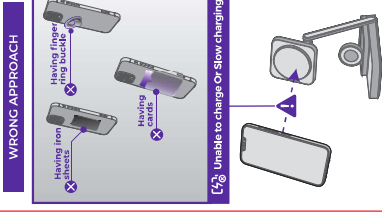
There are 2 ways to try

Remove the watch case



Restart

WRONG APPROACH



1. Having iron filings buried.
2. Having iron filings buried.
3. Having iron filings buried.

Unable to charge Or Slow charging

NOTES

| EN | / | DE | / | FR | / | IT | / | ES | / | JP | / | FCC Warning | FCC Warning | LISEN |
|-------------------------------------------------------------------------------------------------------------------------------------------------------------------------------------------------------------------------------------------|---|---------------------------------------------------------------------------------------------------------------------------------------------------------------------------------------------------|---|-----------------------------------------------------------------------------------------------------------------------------------------------------------------------------------------------------------------------|---|----------------------------------------------------------------------------------------------------------------------------------------------------------------------------------------------------------------------------------------------|---|--------------------------------------------------------------------------------------------------------------------------------------------------------------------------------------------------------------------------------------------------------------------------|---|----------------------------------------------------------------------------------------|---|---------------------------------------------------------------------------------------------------------------------------------------------------------------------------------------------------------------------------------------------------------------------------------------------------------------------------------------------------------------------------------------------------------------------------------------------------|---------------------------------------------------------------------------------------------------------------------------------------------------------------------------------------------------------------------------------------------------------------------------------------------------------------------------------------------------------------------------------------------------------------------------------------------------------------------------------------------------------------------------------------------------------------------------------------------------------------------------------------------------------------------------------------------------------------------------------------------------------------|--------------------------------------------------------------------------------------------------------------------------------------------------------------------------|
| 01- Please use it with phones such as Macsafe phone case or iPhone 12 or above. | / | 01- Bitte verwenden Sie das Produkt mit einem Handy mit einer MacSafe-Hülle oder iPhone12 und höher. | / | 01- Veuillez utiliser avec un boîtier compatible avec un téléphone portable compatible avec iPhone12 version supérieure. | / | 01- Si il s'agit d'un téléphone en métal, assurez-vous que le téléphone est correctement placé sur le support. | / | 01- Por favor, úsalo junto con un estuche de carcasa MacSafe o un móvil de versión iPhone12 o superior. | / | 01- Macsafe 携帯ケース、スマートフォンは必ずこのアプリケーションを装着して充電してください。 | / | This device complies with part 15 of the FCC Rules. Operation is subject to the following two conditions: 1) This device must not cause harmful interference. 2) This device must accept any interference received, including that which may cause undesired operation. Any Changes or modifications not expressly approved by the party responsible for compliance with the FCC may void the user's authority to operate the equipment. | 01- This equipment complies with the FCC radio frequency energy and, if not, there is no guarantee that interference will not occur under normal operating conditions. However, equipment that does not comply with the FCC rules may cause harmful interference to radio receivers which can be avoided by turning the equipment off and on, the user is encouraged to try to identify the source of the interference and take the following measures: • Relocate or reorient the receiving antenna. • Increase the separation between the equipment and receiver. • Connect the equipment to an electrical circuit different from that to which the receiver is connected. • Consult the dealer or an experienced radio TV technician for help. | Experience innovation for work, play and travel. We specialize in the conception, manufacturing and distribution of 3C and mobile phone accessories products believed |
| 02- Metal accessories from sweets and finger locking (keychain) or credit cards will interfere with charging. The housing containing metal will trigger tough subject testing, and decrease charging speed. | / | 02- Metallische Zubehöre (Bügelketten, Reißverschlüsse) oder Kreditkarten können das Ladevorgang stören. Metallhaltige Hüllen von Kreditkarten können zu einem unzureichenden Ladevorgang führen. | / | 02- Les accessoires métalliques (clés de poche, porte-clés) ou cartes de crédit peuvent interférer avec la charge. Le boîtier contenant du métal qui déclenche la détection de corps étrangers interrompra la charge. | / | 02- Accessori metallici (basiere di ferro, libbre a cello o carte di credito possono interferire con la ricarica. La cassa contenente metallo attiverà il rilevamento di oggetti estranei ed interromperà la ricarica. | / | 02- Los accesorios metálicos (llaves-abalorio, una carcasa con contenido de metal pueden interferir en la carga de energía. Una carcasa con contenido de metal puede activar la detección de cuerpos extraños y interrumpir la carga de energía. | / | 02- 金属の付随品（鍵、スマートフォンアクセサリー）やクレジットカードは充電に影響を与えます。金属製のケースは充電検出をトリガーし、充電速度を低下させる可能性があります。 | / | 02- 金属の付随品（鍵、スマートフォンアクセサリー）やクレジットカードは充電に影響を与えます。金属製のケースは充電検出をトリガーし、充電速度を低下させる可能性があります。 | 02- The equipment complies with the FCC radiation protection against harmful interference in a residential installation. The equipment complies with FCC radiation protection pursuant to part 15 of the FCC Rules, provided that the user follows the following instructions: • Connect the equipment to an electrical circuit different from that to which the receiver is connected. • Consult the dealer or an experienced radio TV technician for help. | 02- 本装置は、住宅用設置環境での有害電磁界放射の防止に適合しています。本装置は、FCC規則第15条に準拠して設計されています。ただし、ユーザーが以下の指示に従う場合、有害電磁界放射の防止に適合するものと見なされます。 |
| 03- Watching videos or listening to concerts with your mobile phone in the charging process will obviously affect the charging speed. While applications such as abber are used, power consumption may be higher than the charging speed. | / | 03- Während des Ladevorgangs ist eine lechte Erwärmung normal. Wenn Sie Konaktionen die hohe unseren Kundenkontakten Sie bitte unseren Kundendienst per Email. | / | 03- Pendant le processus de charge, la chaleur légère est un phénomène normal. En cas de forte utilisation, la température peut augmenter. Nous vous recommandons de contacter le service client par e-mail. | / | 03- Durante il processo di ricarica, un leggero riscaldamento è un fenomeno normale. In caso di forte utilizzazione, la temperatura può aumentare. Si consiglia di contattare il servizio clienti elettronico del nostro servizio a clienti. | / | 03- Durante la carga de energía, la temperatura del móvil puede aumentar. Si utiliza aplicaciones como reproducción de música o videos a la velocidad de funcionamiento normal, el consumo de energía eléctrica puede ser mayor que la velocidad de la carga de energía. | / | 03- 充電時、スマホで動画や音楽を視聴するのほ時間がかかる場合があります。充電速度が充電速度よりも遅くなる可能性があります。 | / | 03- 充電時、スマホで動画や音楽を視聴するのほ時間がかかる場合があります。充電速度が充電速度よりも遅くなる可能性があります。 | 03- The equipment complies with the FCC radiation protection pursuant to part 15 of the FCC Rules, provided that the user follows the following instructions: • Relocate or reorient the receiving antenna. • Increase the separation between the equipment and receiver. • Connect the equipment to an electrical circuit different from that to which the receiver is connected. • Consult the dealer or an experienced radio TV technician for help. | 03- 本装置は、住宅用設置環境での有害電磁界放射の防止に適合しています。本装置は、FCC規則第15条に準拠して設計されています。ただし、ユーザーが以下の指示に従う場合、有害電磁界放射の防止に適合するものと見なされます。 |