

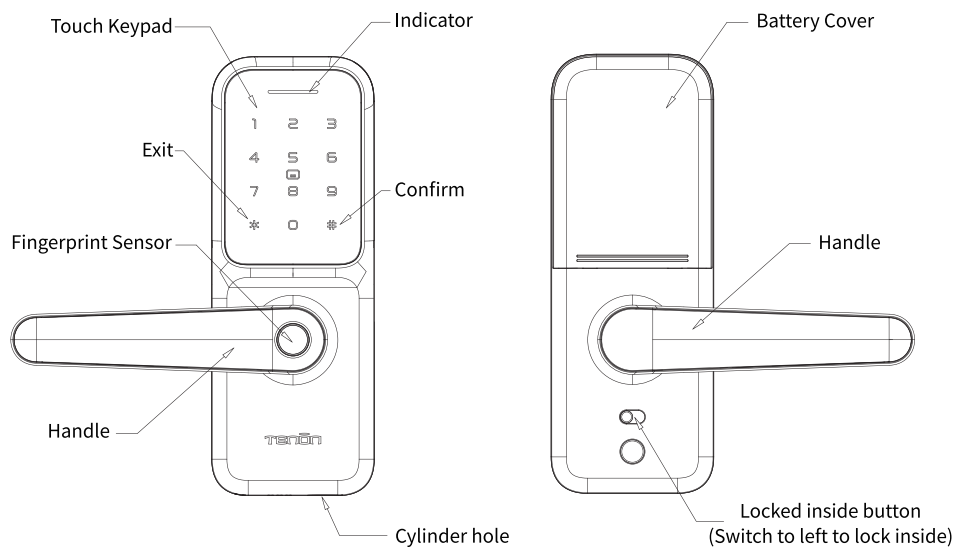
K8 USER MANUAL

K8 Series Smart Lock

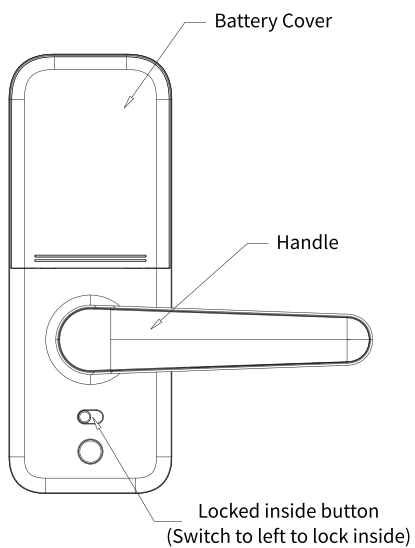
Thanks for choosing our K8 smart lock. Please check the user manual carefully before operation and installation.

Features		Basic Specification	
5	5 unlocking ways	User Capacity	99
	Biometric fingerprint reader	Unlocking Way	Fingerprint + Password + Card + Mechanical Key + Bluetooth Tuya App
	Virtual password	Operation System	Classic Voice Prompt
	Anti-theft mortise (Built-in cylinder)	Power	Battery: 4PCS* AA Alkaline Battery Emergency Power: 5V, Type-C Alarming Voltage: <4.8V
	Low battery alarm	Material	Plates: Aluminum Alloy Mortise Lock: Stainless Steel Material: ABS+PET
	Emergency power supply	Working Environment	Temperature: -20°C-70°C Humidity: 20%-90%
	Password protection	Electric Character	Static Current: ≤120μA Dynamic Current: ≤300mA
	Voice prompts		
	Bluetooth Tuya App		

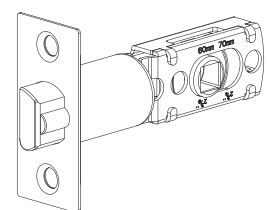
Front panel



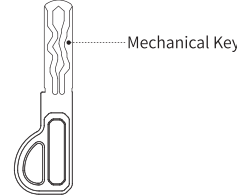
Back panel



Mortise Lock



Mechanical key

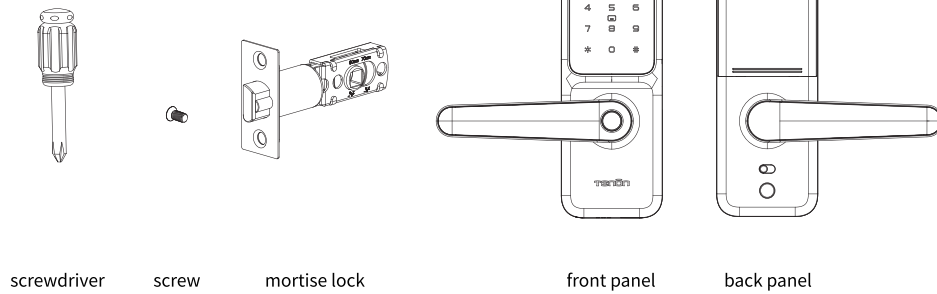


Packing List

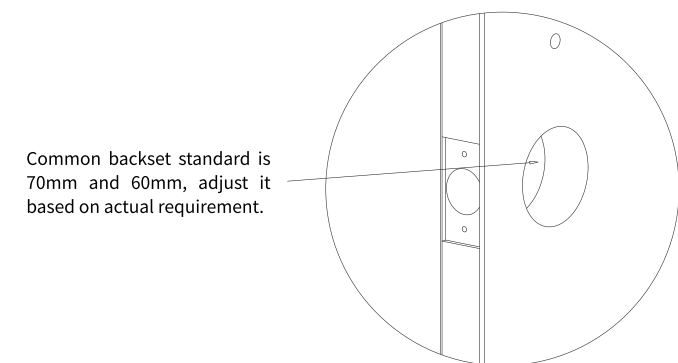
ITEM	QUANTITY
Front Panel	1
Back Panel	1
Accessories	1
User Manual	1
Template	1
Cylinder lock	1
Mechanical Key	2
Card	2

Installation Steps

① Before installation, prepare one cross-point screwdriver.

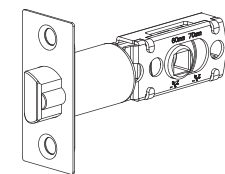


② Modify the mortise lock backset based on the distance from the hole centerline to the door edge.

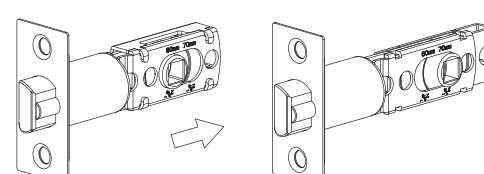


Common backset standard is 70mm and 60mm, adjust it based on actual requirement.

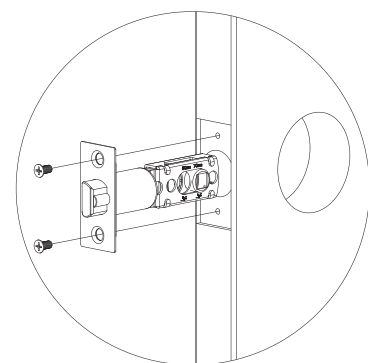
Default mortise lock backset is 60mm. If need to adjust, please follow the right steps to adjust:



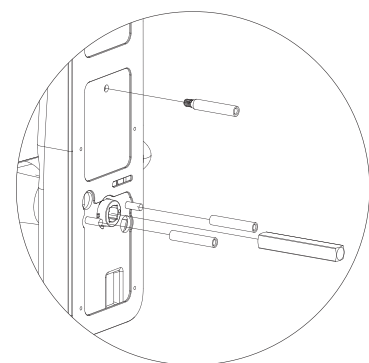
Pull out the circled part to extend 70mm backset



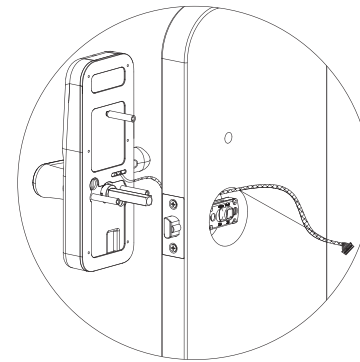
③ Thread the mortise wire through the top hole and insert the mortise into the door, Then use 2 pcs screws to fix the mortise (As shown).



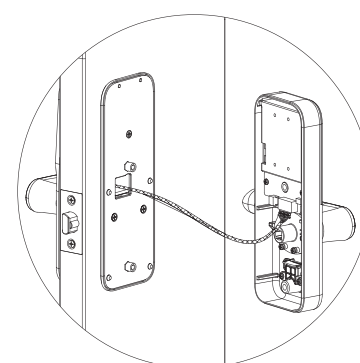
④ Insert suitable threaded sleeves and square rods to the corresponding position of the front panel (As shown).



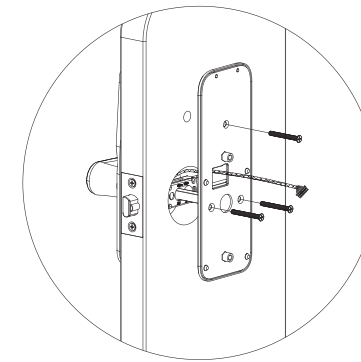
⑤ Thread the front panel wire through the hole. The front panel square rod exits through the square rod hole of the mortise lock. (As shown).



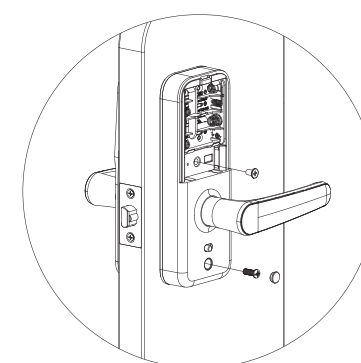
⑦ The back panel shall be connected with the wire of the front panel and the wire of the mortise lock (As shown).



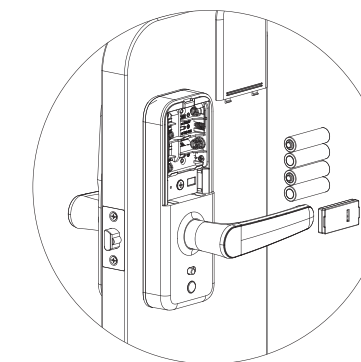
⑥ Fasten the front panel and back cover plate with 3 pcs screws (As shown).



⑧ Fasten the front panel and back panel with 2 pcs screws (As shown).

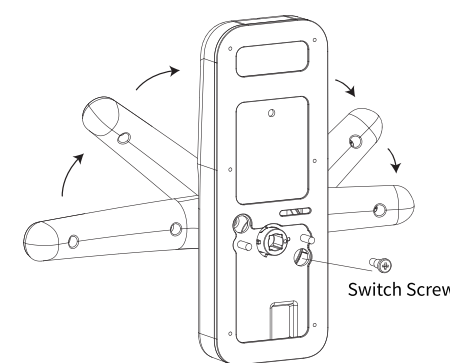


⑨ At last put into batteries and cover them. Move the anti-peep button right side to the unlocking position (as shown). Please check whether lifting handle can lock the door properly or pressing handle can open the door normally; Please check whether the unlocking ways of password, fingerprint, card and mechanical key can work properly.



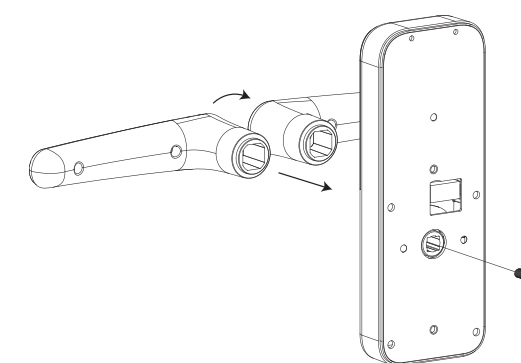
Change direction of front handle

- Remove screw by screwdriver (As shown).
- a. Rotate upward the front handle to reverse direction (As shown).
b. Tighten the screw. Please check whether the handle is used properly.



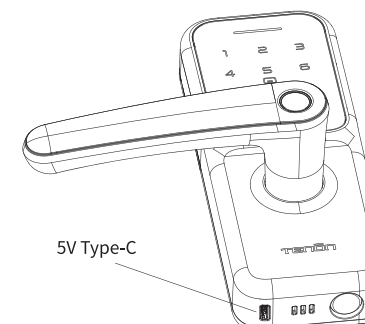
Change the direction of back handle

- Remove screw by screwdriver (As shown).
- a. Rotate the back handle to reverse direction (As shown).
b. Install the back handle on back panel and tighten the screw. At last, please check whether the handle is used properly.



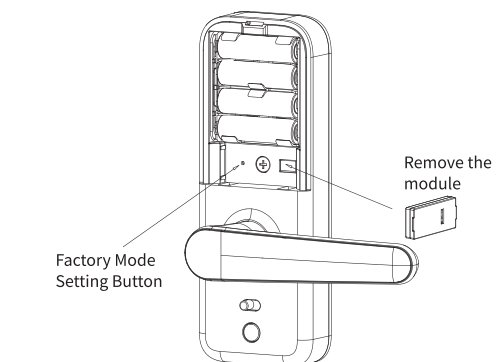
Instructions

Emergency Power Supply



If the battery is dead, charge the lock with a 5V Type-C charging bank.

Restore Factory Mode Setting

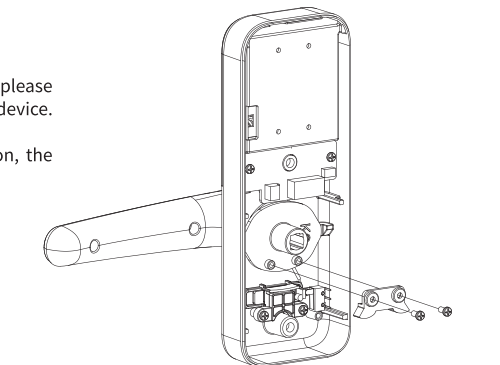


This procedure will delete all user codes associated with the lock. Remove the battery cover, and use needle to press the reset button for 3 seconds when the power is on. The indicator light is green when the system data is cleared.

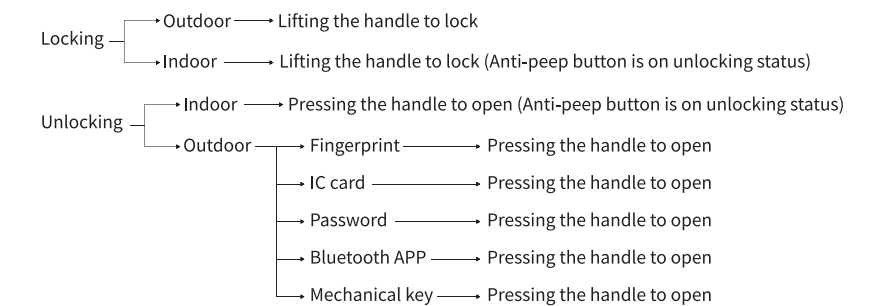
Mechanical reset device

If you want to cancel the mechanical reset function, please remove 2 screws and remove the mechanical reset device.

Note: After canceling the mechanical reset function, the locked inside function can only be manually closed.



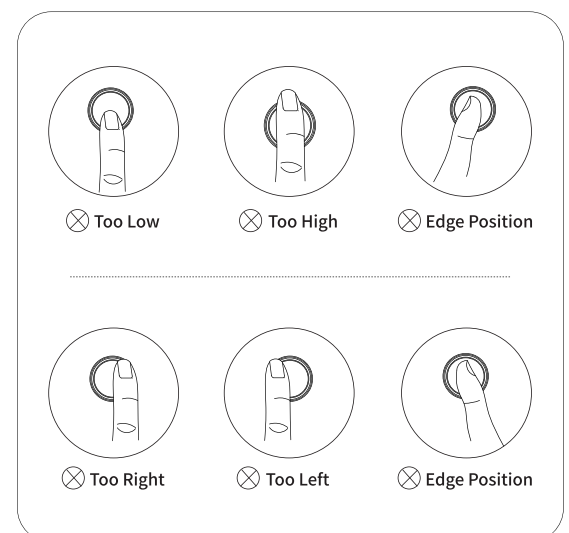
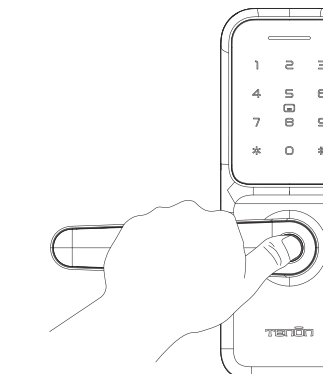
Locking And Unlocking Way



Fingerprint Gathering

✓ Right Fingerprint Registration

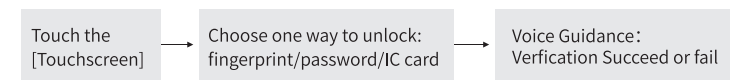
Please register with the center part of your fingerprint. Make your fingerprint touch the sensor to the maximum extent. And then leave the sensor for registration.



Operating process

1 Demo mode

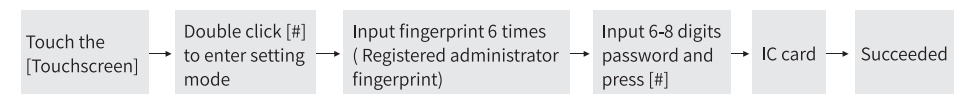
Note: After installation, the system is in demo mode, any fingerprint or password can open the door. You can try the system under the voice prompt.



2 Setting mode

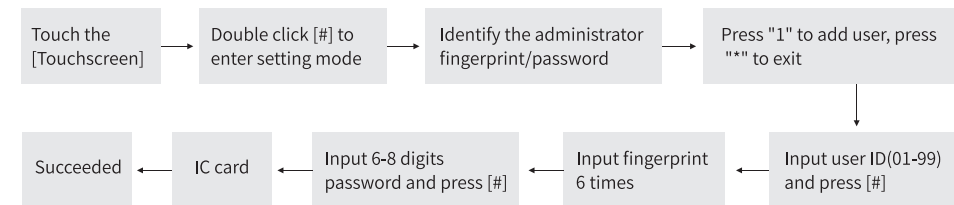
Note: The default ID number is 01 when you register for the first time; Please make sure to set a password when you first register administrator information. If the fingerprint is registered successfully, you can skip password registration. If the admin registration failed, it will go back to the demo mode; Please remember the password. You need to reset it again if forget.

- After identifying and entering the mode of adding user, press "01" to change admin information. The old fingerprint information would be replaced then. Press "#" to keep the old admin information.
- Press the reset button on the back plate to clear all data



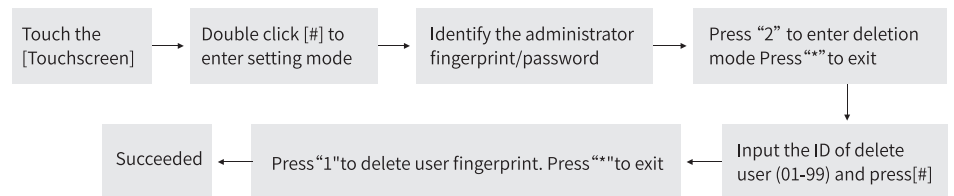
3 Registered user

- Note:
- During registration, you can press # to skip. You have to delete this ID number and register again after skipping the whole process.
 - When registration is completed, you can still operate. The screen will be off if no move detected in 30 seconds.
 - You will be noted that this ID number has been registered for inputting 01. You can press # button to replace the admin information.



4 Delete registered user

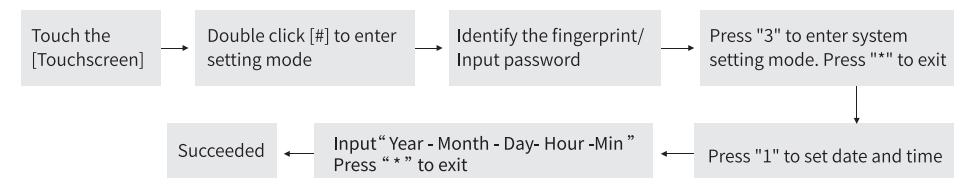
Note: It will go back to the previous menu after the deletion. The screen will be off if no moves are detected in 30 seconds. You can't delete Admin 01.



Note: Operation mode is the same, different keys correspond to different instructions.
Press "2"- delete password/Press "3"- delete IC card/Press "4"- delete the whole ID

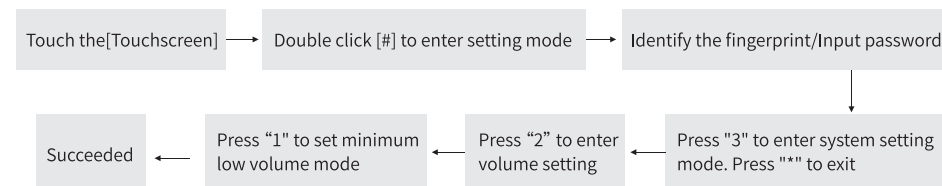
5 Date and time settings

- Note:
- It will go back to the previous menu after the deletion. The screen will be off if no moves are detected in 30 seconds. You can't delete Admin 01.
 - Please input 4 digits for year, 2 digits for month, 2 digits for date, 2 digits for hour and 2 digits for minute. Press # button to confirm Press * button to go back



6 Volume setting

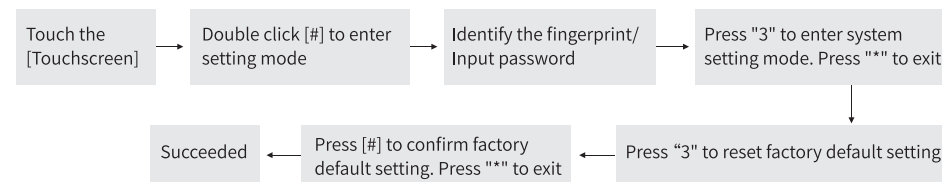
Note: The default is medium volume



Note: Operation mode is the same, different keys correspond to different instructions
Press *2*-low volume/Press *3*- medium volume/Press *4* - high volume.

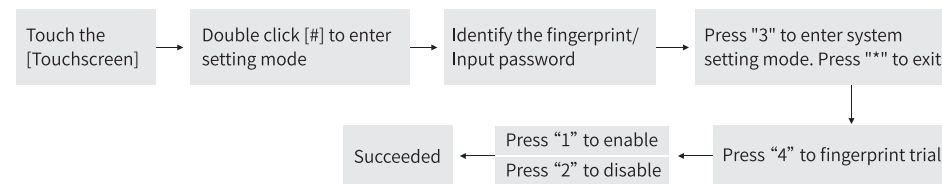
7 Restore factory default setting

Note: Please note that all data and information would be deleted.
Press # to confirm. Press * to go back to previous menu.



8 Fingerprint trial

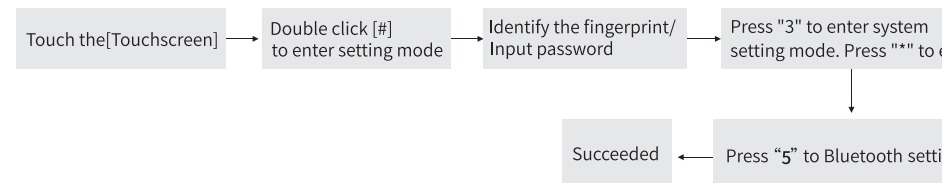
Note: In default mode, the system would be locked for 90s with alarming notification when you input 5 times wrong verification (Fingerprint/ password /card) in 5mins. When you open the fingerprint trial function, the fingerprint error input is not included in the error verification statistical range.



9 Tuya Bluetooth setting

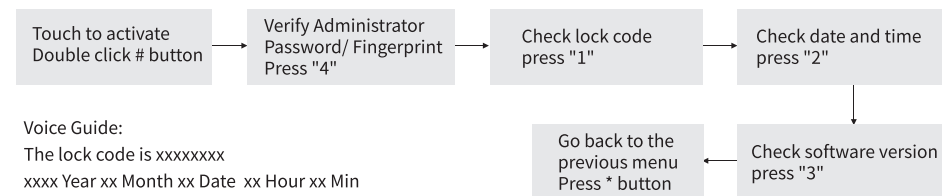
Note:
Please download "Tuya" App from the App stores before using this function.

- Turn on "Tuya" App and phone's bluetooth function.
- Click " Add device".
- Waiting for adding device.



10 System Information

Note: It would go back to the previous menu after information checking.
The screen would be off after no moves are detected in 30 seconds.
8 digits lock code matches the barcode of the product.
The right authorization code would be generated when the date and time are the same as that on the phone.



Voice Guide:
The lock code is xxxxxxxx
xxxx Year xx Month xx Date xx Hour xx Min
The current version is XXXXX

Featured Operations

User ID grading management

- Administrator(01) can open the door and manage lock data information. In special cases, the administrator user has the highest authority. We recommend only the households and leadership to use this level function.
- Common user(02-99) only can open the door. We recommend the children or company staff to use this level function.

Key function

- "*" -Esc key and return key; "#"-enter key.
- Double click "#" key to setting mode.
- Double click "*" key to mute mode, and once double click "*" can exit mute mode. In mute mode, double-click the "# " key to enter the setting mode and with voice guidance, It will switch to mate mode automatically after exiting setting mode.

Locked inside Function

- Switch button to left in red color,the door is locked inside.Only the administrator or mechanical key can open the door.
- Turn off lock inside by pushing the button to right in green color.Any user can open the door.

Anti peep password

Add any numbers before or after the real password to prevent other person to peep the real password. (18 digits)

Emergency power supply

When the batteries run out, please use 5V power bank as emergency power supply for temporary opening.

Low power alarm

When the voltage of installed batteries is lower than 4.8V, there will be a sound alarm after each opening, please replace the battery in time.

Anti-prizing alarm

- If someone tries to break in, the lock will sound an alarm.
- The methods of turning off the alarm:
(1) Input password and click "#" key.
(2) Input fingerprint.

Password protection function

Enter the wrong password five times in 5 minutes, and the system will go into sleep mode for 90 seconds.

System reset function

Please keep pressing the reset button on the back panel with a pin for at least 3 seconds to restore factory default.

Front and back panels are with associated encryption

Please press the reset button in back panel to match the front panel communication when the system prompted "please press reset button, the front and back panels are with associated encryption", when you pressing the reset button,lose the button after you hear 2 beeps sounds.then front and back panels will match automatically.

Attention

- Operating the lock requires a special environment. Please use it in specified field technology ranges.The long time overload and exceeding usage will reduce the life span. Please keep your finger clear and prevent this product from long time in the sunshine when using it.
- After a period of time there will be dirt on the fingerprint reader and this may affect normal use. Please use soft cotton to clear the fingerprint reader. The fingerprint head and screen are fragile glass materials, please do not hit or touch with any hard object.
- If the lock voltage is insufficient when opening the door, it will prompt with alarm sound and the screen showing low voltage. Please change the battery in time.
- Please do not use mixed old and new battery. If you do not change the battery in time, the system will be out of power and stop running. If the battery is dead, power the lock with a 5V Type-C charging bank.
- Please choose professional workers to install the door lock and follow our installation standard. Please do not disassemble this lock personally. Please take care of relevant label to avoid unnecessary trouble for warranty.
- Please register the administrator fingerprint and keep the mechanical keys after the lock is installed well. When the fingerprint and password and other methods can't open the door, you can open the door with the mechanical key.
- The lock handle is the necessary auxiliary tool to open the door.Please do not hang any heavy object on the handle.

FCC Warning

This device complies with part 15 of the FCC rules. Operation is subject to the following two conditions: (1) this device may not cause harmful interference, and (2) this device must accept any interference received, including interference that may cause undesired operation.

Changes or modifications not expressly approved by the party responsible for compliance could void the user's authority to operate the equipment.

NOTE: This equipment has been tested and found to comply with the limits for a Class B digital device, pursuant to part 15 of the FCC Rules.

These limits are designed to provide reasonable protection against harmful interference in a residential installation. This equipment generates uses and can radiate radio frequency energy and, if not installed and used in accordance with the instructions, may cause harmful interference to radio communications. However, there is no guarantee that interference will not occur in a particular installation.

If this equipment does cause harmful interferenceto radio or television reception, which can be determined by turning the equipment off and on, the user is encouraged to try to correct the interference by one or more of the following measures:

- Reorient or relocate the receiving antenna.
- Increase the separation between the equipment and receiver.
- Connect the equipment into an outlet on a circuit different from that to which the receiver is connected.
- Consult the dealer or an experienced radio/TV technician for help.

Radiation Exposure Statement

This equipment complies with FCC radiation exposure limits set forth for an uncontrolled environment. This equipment should be installed and operated with minimum distance 20cm between the radiator and your body.