

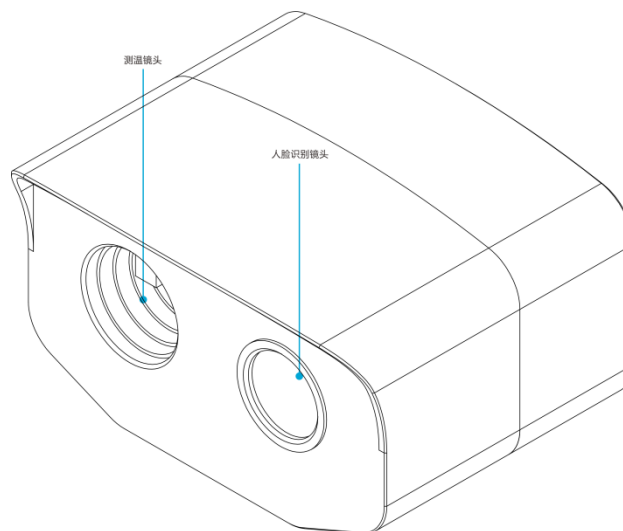
D150W Body temperature screeningsystem

User Manual

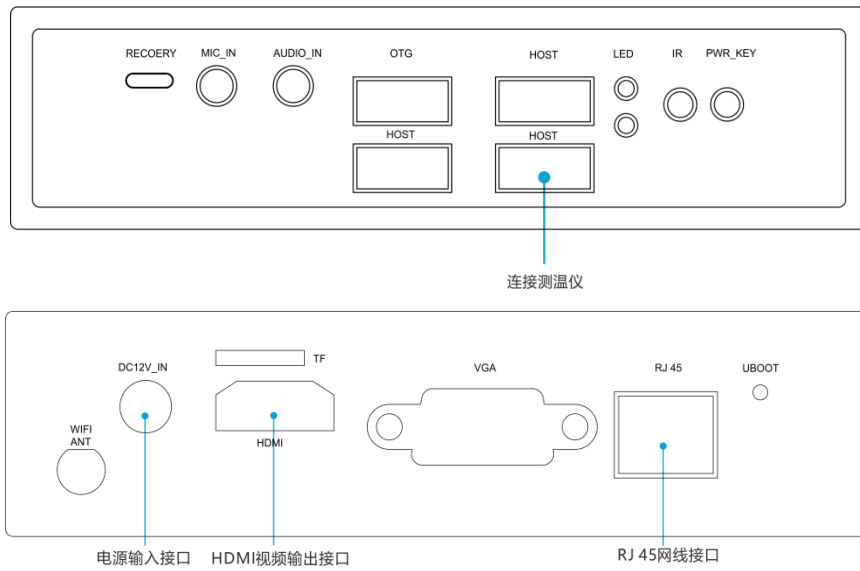


I .Product appearance function wiring description

1、 D150W Host schematic

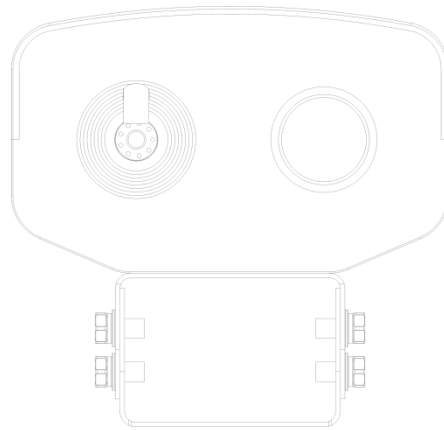


2、 M3399 Intelligent Processing Terminal Interface Description

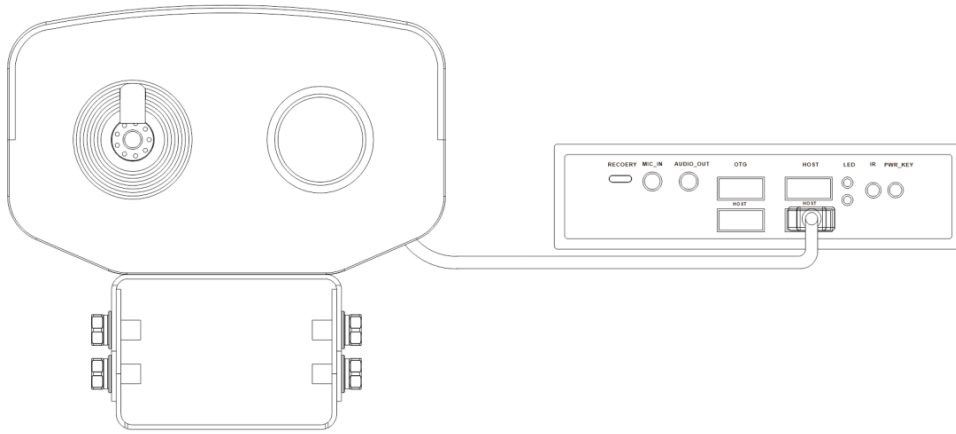


二、 Installation instructions

- 1、 fix the D150W mainframe with 1/4 screws;
- 2、 And fix the installed transfer bracket to the response bracket.



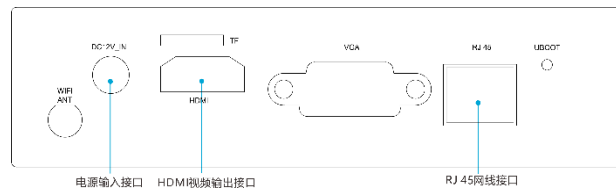
- 3、 To connect the D150W USB cable to the USB HOST of the box



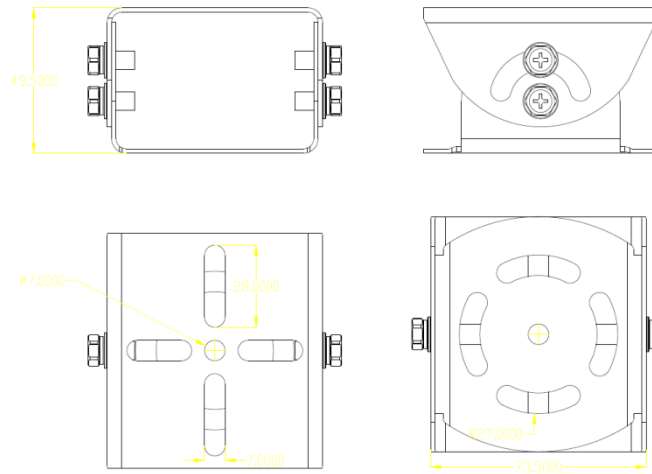
4、Connect the HDMI cable and the monitor

5、insert RJ 45 wire

6、Connect 12 V power to boot

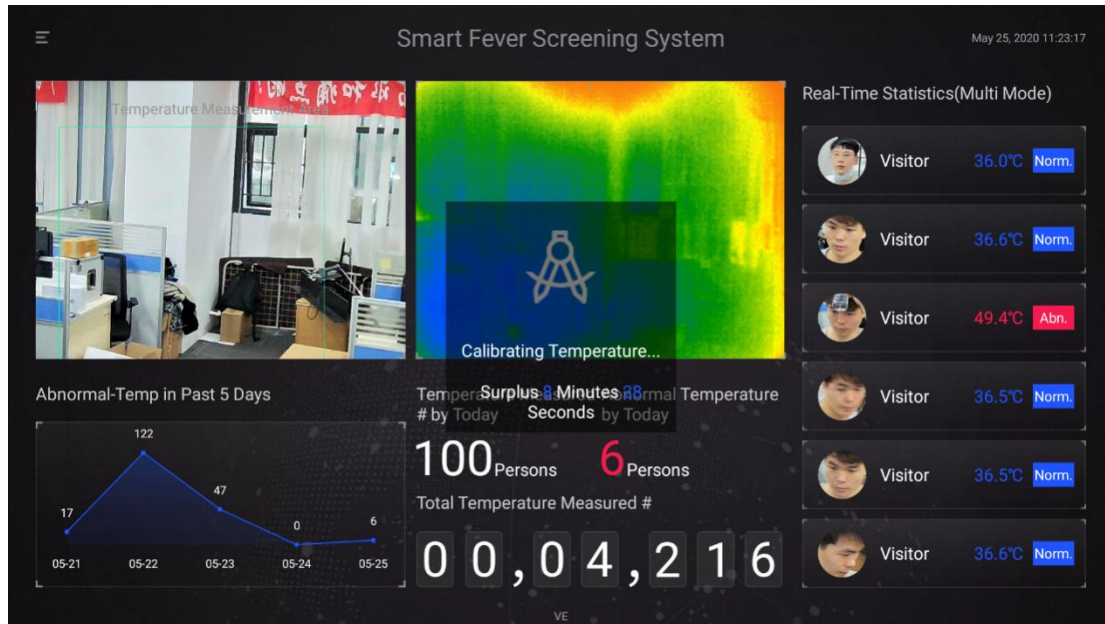


三、Structure diagram of the converter



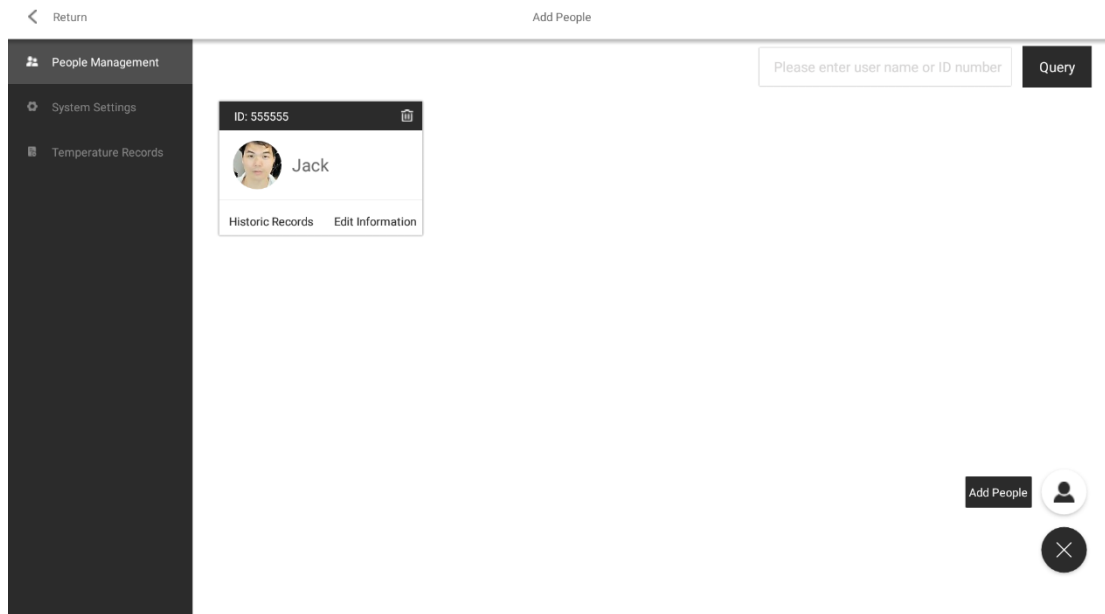
Software description

I . Pre-heating



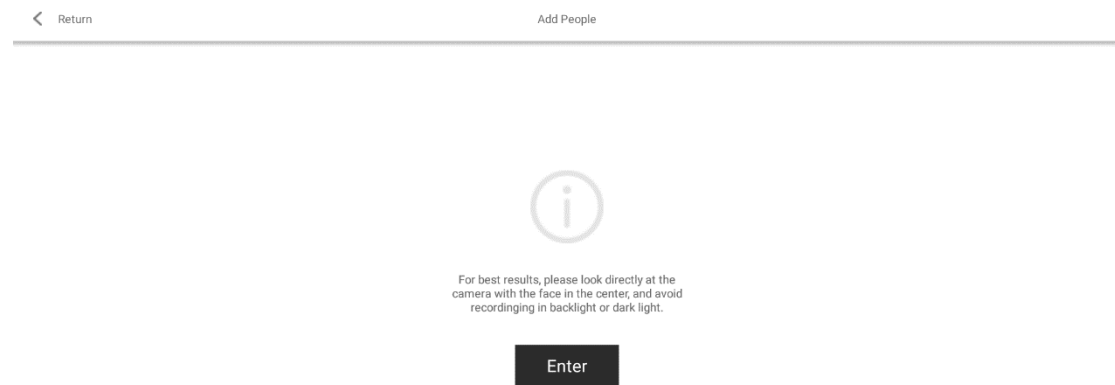
1. Warm up for 10 minutes after start-up
2. The current page views people's real-time temperature
3. Can view the number of people visited today
4. Can view the number of people with abnormal body temperature today
5. Can view the accumulated number of temperature measurement people
6. Can check the peak fluctuation of abnormal temperature in the past five days
7. Face information and body temperature information can be displayed in real-time statistics on the right side column
8. Click on the upper left corner to enter the setup interface

II .Personnel management

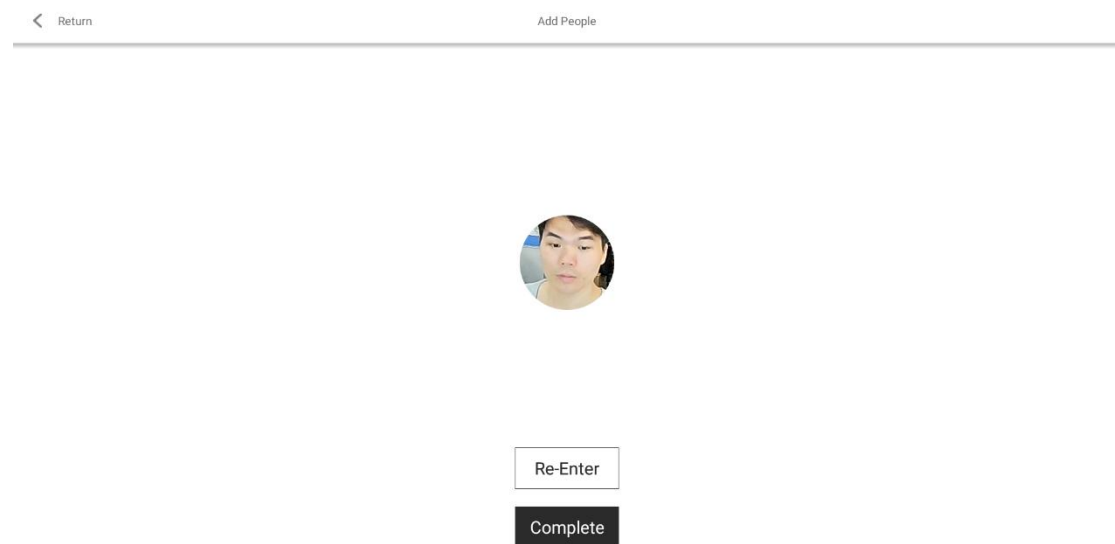


1. Click the Add button to add human information (face detection is only effective in single mode)
2. Add the person will show the above picture form: ID、 the person's name, enter the photo

III . Add people - face entry

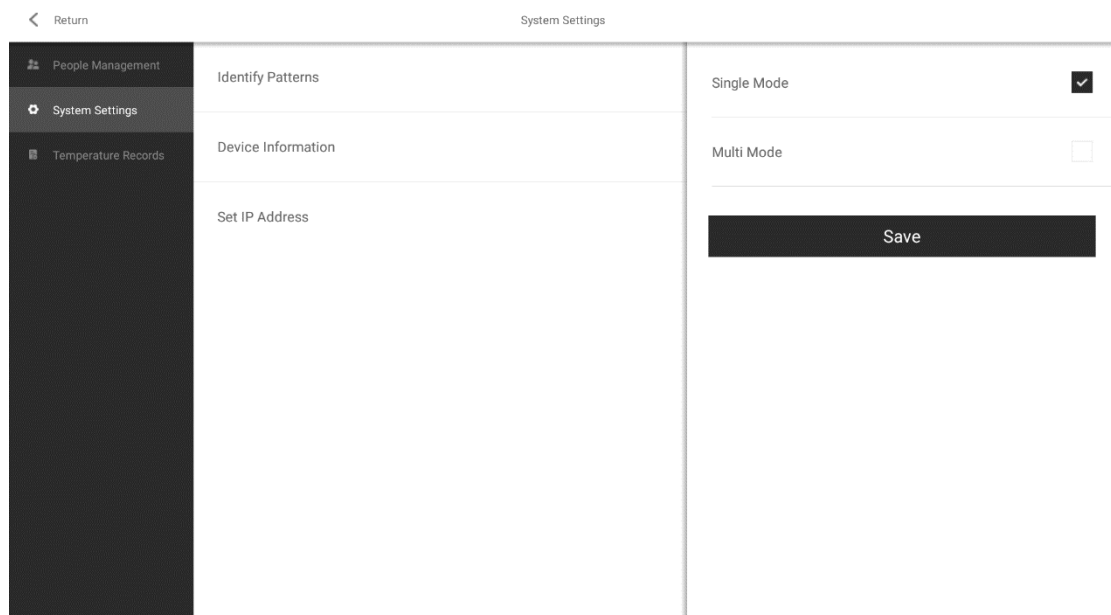


1. Click add person to enter this interface, For best results, Please face up to the camera. , At the same time, avoid input in backlight or dark environment.



After successful entry, you can choose to re-enter or complete the input operation

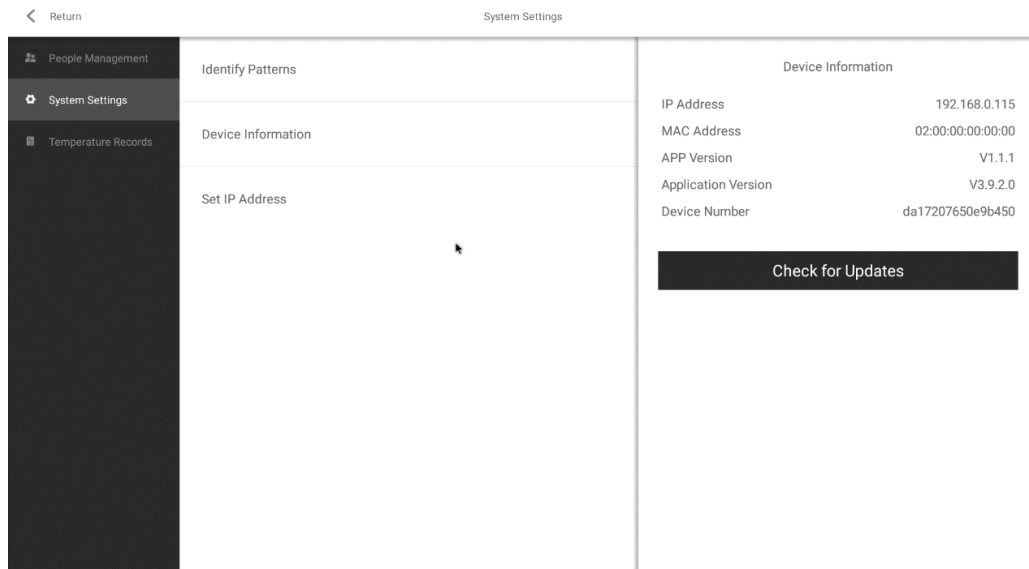
IV. Identification pattern



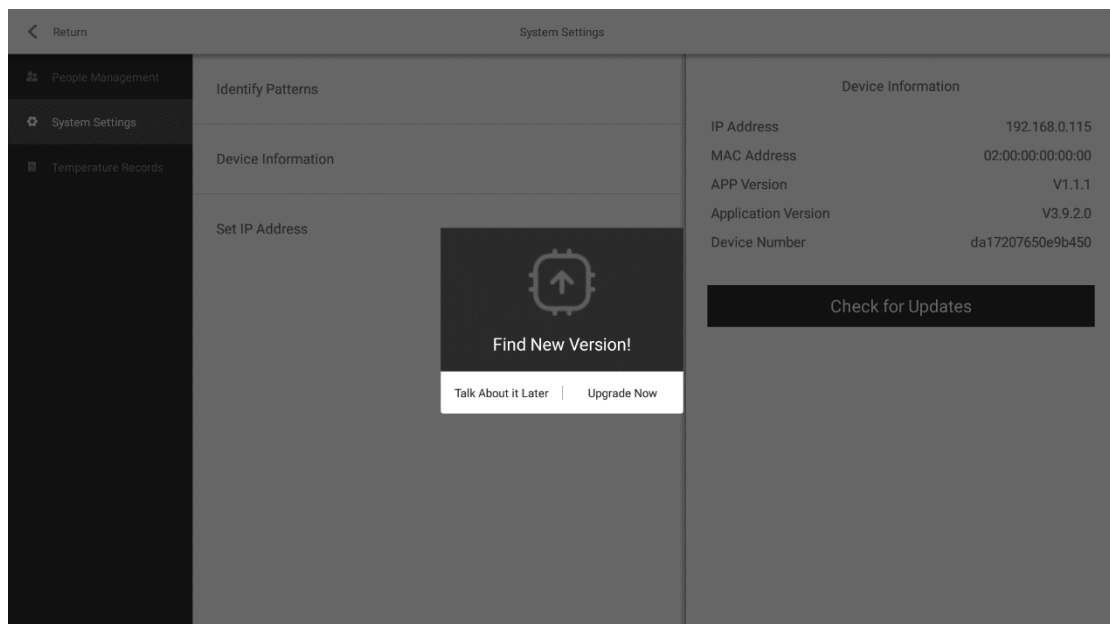
Single-person mode: will recognize the nearest face from the camera detection range, if the face is white list, the system will recognize the face related information (name, body temperature)

Multi-person mode: simultaneous multi-person temperature measurement without face comparison

V . Upgrade



Can view the current device related information, networking status, click to check the update, if there is the latest version upgraded online



Click Upgrade Now to upgrade the application.

This device complies with Part 15 of the FCC Rules. Operation is subject to the following two conditions: (1) this device may not cause harmful interference, and (2) this device must accept any interference received, including interference that may cause undesired operation

NOTE: This equipment has been tested and found to comply with the limits for a Class B digital device, pursuant to Part 15 of the FCC Rules. These limits are designed to provide reasonable protection against harmful interference in a residential installation. This equipment generates, uses and can radiate radio frequency energy and, if not installed and used in accordance with the instructions, may cause harmful interference to radio communications. However, there is no guarantee that interference will not occur in a particular installation. If this equipment does cause harmful interference to radio or television reception, which can be determined by turning the equipment off and on, the user is encouraged to try to correct the interference by one or more of the following measures:

- Reorient or relocate the receiving antenna.
- Increase the separation between the equipment and receiver.
- Connect the equipment into an outlet on a circuit different from that to which the receiver is connected.
- Consult the dealer or an experienced radio/TV technician for help.

Warning: changes or modifications not expressly approved by the party responsible for compliance could void the user's authority to operate the equipment
Radiation exposure statementy this equipment compliance with FCC radiation exposure limits set forth for anuncontrolled environmenty this equipment should be installed and operated and operated with minimum distance 20cm between the radiator and your body