

深圳市肯特新工业技术有限公司

承認書

SPECIFICATION FOR APPROVAL

客戶：华芯智影

Customer

項目名：HX233

Project

品名：WIFI天线

Description

料號：W3106N-F8R2B-050-N

Part Number

日期：2023年01月5日

Date Year Month Day

承認人簽章
Signature

制定Responsible	审核Approve	客户确认Confirm
	Contact: 18688745790 TEL:+86-755-23025852	

UNLESS OTHER SPECIFIED TOLERANCES ON :

X=±1 X.X=±0.1 X.XX=±0.01

ANGLES=± HOLE DIA=±

SCALE :

UNIT : mm

DRAWN BY : 周景峰

CHECKED BY : 王浩

DESIGNED BY : 李谋月

APPROVED BY : 易珂湘

TITLE : W3106N-F8R2B-050-N Specification

DOCUMENT
NO.

PAGE REV.

P0



肯特新工业技术有限公司
KINTER NEW INDUSTRIAL TECHNOLOGY CO., LTD

THIS DRAWINGS AND SPECIFICATIONS ARE THE PROPERTY OF KINTER NEW INDUSTRIAL TECHNOLOGY CO.,LTD. AND SHALL NOT BE REPRODUCED OR USED AS THE BASIS FOR THE MANUFACTURE OR SALE OF APPARATUS OR DEVICES WITHOUT PERMISSION.

1. Electrical Specification :

Those specifications were specially defined for **华芯智影-HX233** WIFI model, and all characteristics were measured under the model's handset testing jig .

1-1. Frequency Band:

Frequency Band	MHz
Wi-Fi	2400-2500

1-2. Impedance

50 ohm nominal

2. VSWR

2-1 Measuring Method

1. A 50Ω coaxial cable is connected to the antenna. Then this cable is connected to a network analyzer to measure the VSWR,
2. Keeping this jig away from metal at least 20cm.

2-2 Measurement frequency points and VSWR value

Frequency (MHz)	2400	2450	2500
VSWR	1.77	1.50	1.45



3. Efficiency and Gain

- 量测仪器: 微波暗室, Agilent网络分析仪, Agilent频谱分析仪, 8960综合测试仪, 标准天线。
- 微波暗室说明:
这是本公司设置在深圳的微波暗室, 本微波暗室是属于一套远场量测系统,暗室的大小为5.0米x3.0米x3.0米, 静区尺寸(Quiet zone)大小为15厘米x15厘米x15厘米。

UNLESS OTHER SPECIFIED TOLERANCES ON : X=±1 X.X=±0.1 X.XX=±0.01		 肯特新工业技术有限公司 KINTER NEW INDUSTRIAL TECHNOLOGY CO.,LTD	
ANGLES=± HOLE DIA=±			
SCALE :	UNIT : mm	THIS DRAWINGS AND SPECIFICATIONS ARE THE PROPERTY OF KINTER NEW INDUSTRIAL TECHNOLOGY CO.,LTD. AND SHALL NOT BE REPRODUCED OR USED AS THE BASIS FOR THE MANUFACTURE OR SALE OF APPARATUS OR DEVICES WITHOUT PERMISSION.	
DRAWN BY : 周景峰	CHECKED BY : 王浩		
DESIGNED BY : 李谋月	APPROVED BY : 易珂湘		
TITLE : W3106N-F8R2B-050-N Specification		DOCUMENT NO.	PAGE REV. P0
		PAGE	OF

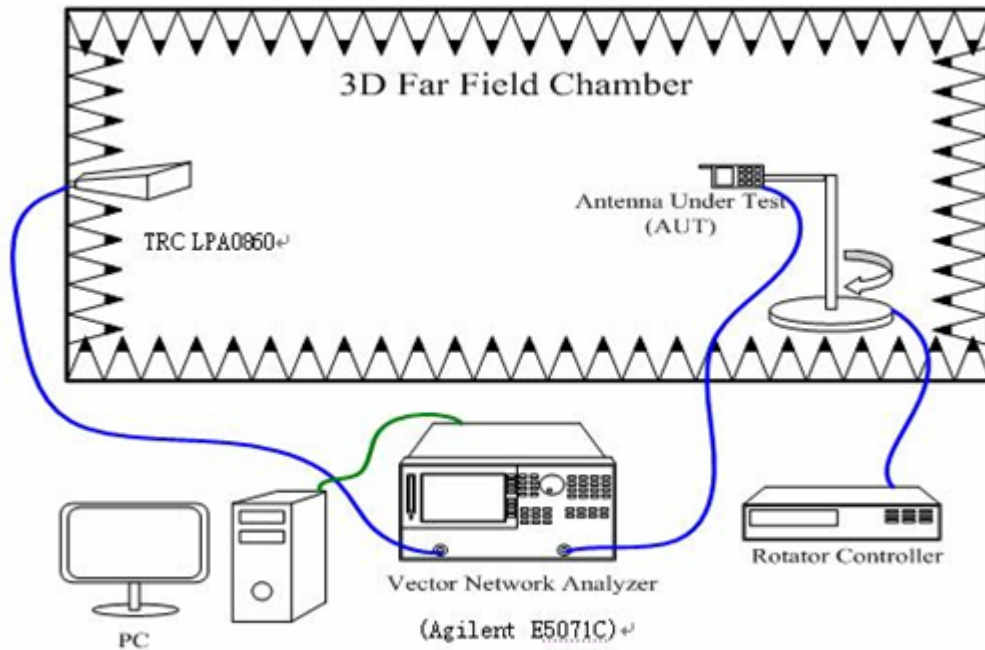


图. 1. 微波暗室内仪器设置及网络分析仪的联接图

图. 1 为微波暗室内的仪器设置及网络分析仪的联接图，发射天线(0.8-6.0GHz for Gain Calibration)到待测天线(AUT)的距离为3.0米，待测天线放置在旋转平台上,藉由控制转台旋转的角度可对待测天线做概略性及较为准确的量测。

将待测天线放置于旋转台上,并测得其各个平面(ZY平面及ZX平面)的360度场强数据。再将待测天线换置成标准偶极天线将其360度的数据出，以作换算增益标准值，经由式1的算即可得待天的增益及方向。

3-1 Measuring Method

1. Using a low loss coaxial cable to link a standard handset jig,
2. Fixed this handset jig on chamber's rotator plane,
3. Linking jig into network analyzer port and using a probing horn antenna to collect data,
4. Using another standard gain horn antenna to calibrated those data.

3-2 Efficiency and Gain Value

Frequency (MHz)	Efficiency (%)	Average GAIN (dB)	Peak GAIN (dBi)
2400	37%	-1.14	3.48
2450	32.4%	-0.78	3.54
2490	36.6%	-1.48	3.29

UNLESS OTHER SPECIFIED TOLERANCES ON :

X=±1 X.X=±0.1 X.XX=±0.01

ANGLES=± HOLE DIA=±

SCALE :

UNIT : mm

DRAWN BY : 周景峰

CHECKED BY : 王浩

DESIGNED BY : 李谋月

APPROVED BY : 易珂湘

TITLE : W3106N-F8R2B-050-N Specification



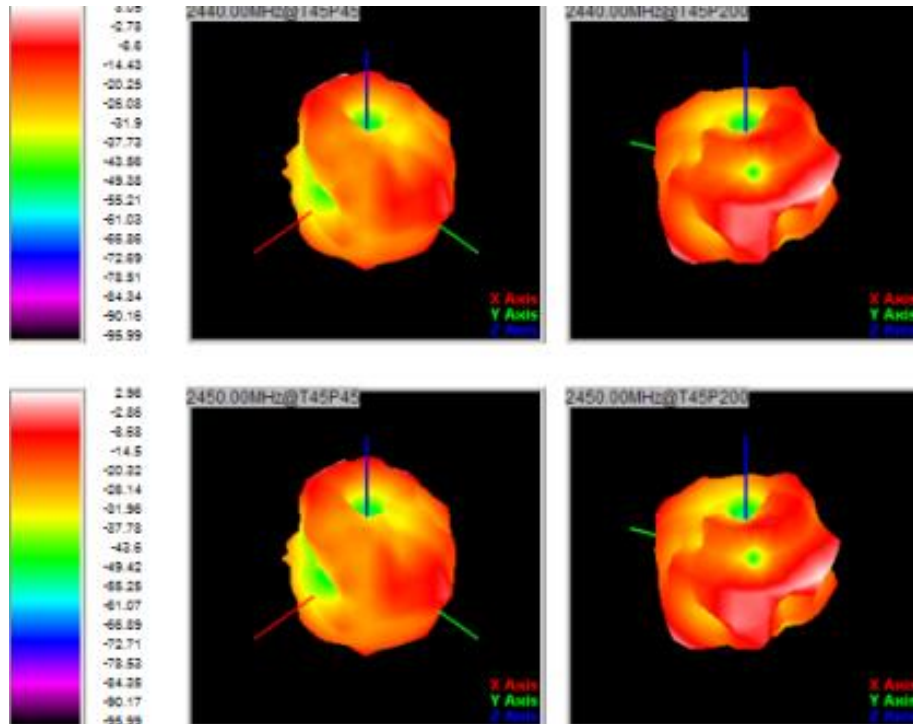
肯特新工业技术有限公司
KINTER NEW INDUSTRIAL TECHNOLOGY CO., LTD

THIS DRAWINGS AND SPECIFICATIONS ARE THE PROPERTY OF KINTER NEW INDUSTRIAL TECHNOLOGY CO.,LTD. AND SHALL NOT BE REPRODUCED OR USED AS THE BASIS FOR THE MANUFACTURE OR SALE OF APPARATUS OR DEVICES WITHOUT PERMISSION.

DOCUMENT NO.

PAGE REV.
P0


3-3 3D Pattern



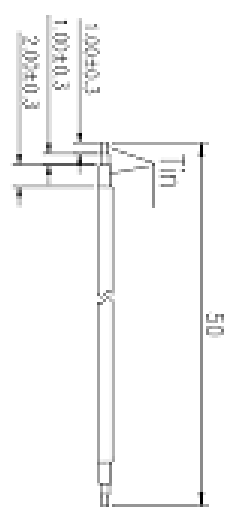
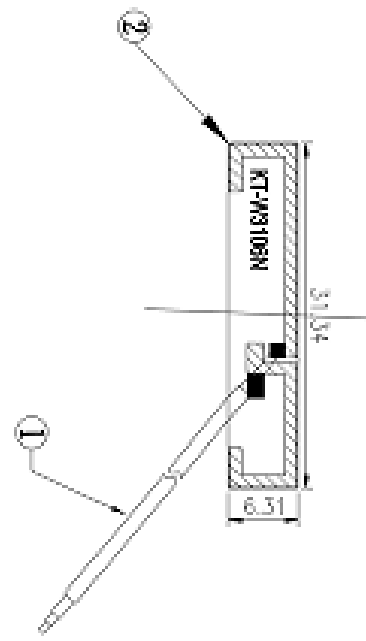
4. Mechanical Specification:

Mechanical Configuration (Unit: mm)

The appearance of the antenna is according to drawing Figure 4-1

UNLESS OTHER SPECIFIED TOLERANCES ON :		 肯特新工业技术有限公司 KINTER NEW INDUSTRIAL TECHNOLOGY CO.,LTD						
$X=\pm 1$ $X.X=\pm 0.1$ $X.XX=\pm 0.01$ ANGLES = \pm HOLE DIA = \pm								
SCALE :	UNIT : mm	THIS DRAWINGS AND SPECIFICATIONS ARE THE PROPERTY OF KINTER NEW INDUSTRIAL TECHNOLOGY CO.,LTD. AND SHALL NOT BE REPRODUCED OR USED AS THE BASIS FOR THE MANUFACTURE OR SALE OF APPARATUS OR DEVICES WITHOUT PERMISSION.						
DRAWN BY : 周景峰	CHECKED BY : 王浩							
DESIGNED BY : 李谋月	APPROVED BY : 易珂湘							
TITLE : W3106N-F8R2B-050-N Specification		<table border="1"> <tr> <td>DOCUMENT NO.</td> <td></td> <td>PAGE REV.</td> </tr> <tr> <td></td> <td></td> <td>P0</td> </tr> </table>	DOCUMENT NO.		PAGE REV.			P0
DOCUMENT NO.		PAGE REV.						
		P0						
		PAGE OF						

NO.	NAME	QUANTITY	UNIT
1	盖板	1-50mm 1.2-2.8mm 盖板	1
2	焊料	W3106N-F8R2B-050-N 黑色锡膏	1



- NOTES:**
1. Electrical:
 - 1.1 Impedance: 50 OHM
 - 1.2 Frequency: 300~500GHz
 - 1.3 Polarization: Vertical
 - 1.4 TDR: S_{11}
 - 1.5 QDR: S_{11}
 2. Environmental:
 - 2.1 Storage Temperature Range: -30 TO +100°C
 - 2.2 Operating Temperature Range: -30 TO +100°C
 - 2.3 All Materials meet RoHS & Small Lead Requirement.

深圳市肯特新工业技术有限公司		名称	W3106N
		物料号	W3106N-F8R2B-050-N
设计	周景峰	比例	1:1
审核		图次	01
批准		单位	深圳
		视图	2D
		变更标记	
		变更数量	

UNLESS OTHER SPECIFIED TOLERANCES ON :

X=±1 X.X=±0.1 X.XX=±0.01

ANGLES=± HOLE DIA=±

肯特新工业技术有限公司
KINTER NEW INDUSTRIAL TECHNOLOGY CO., LTD

THIS DRAWINGS AND SPECIFICATIONS ARE THE PROPERTY OF KINTER NEW INDUSTRIAL TECHNOLOGY CO.,LTD. AND SHALL NOT BE REPRODUCED OR USED AS THE BASIS FOR THE MANUFACTURE OR SALE OF APPARATUS OR DEVICES WITHOUT PERMISSION.

SCALE :	UNIT : mm
DRAWN BY : 周景峰	CHECKED BY : 王浩
DESIGNED BY : 李谋月	APPROVED BY : 易珂湘

TITLE : W3106N-F8R2B-050-N Specification	DOCUMENT NO.	PAGE REV.
		P0