



# RADIO TEST REPORT

Report No.: STS2009191W02

Issued for

Excellus Communications, LLC

27298 Wetland Road, Suite 101 Harrisburg, SD 57032 USA

<b>Product Name:</b>	4G phone
<b>Brand Name:</b>	Snapfon
<b>Model Name:</b>	Snapfon ez4G
<b>Series Model:</b>	N/A
<b>FCC ID:</b>	2AW56-EZ4G
<b>Test Standard:</b>	47 CFR Part 2, 22, 24(E), 27

Any reproduction of this document must be done in full. No single part of this document may be reproduced without permission from STS, All Test Data Presented in this report is only applicable to presented Test sample.





TEST RESULT CERTIFICATION

Applicant's Name: Excellus Communications, LLC
Address: 27298 Wetland Road, Suite 101 Harrisburg, SD 57032 USA
Manufacturer's Name: Ying Tai Electronics Co., Ltd
Address: ROOM 803, CHEVALIER HOUSE 45-51 CHATHAM ROAD SOUTH, TSIM SHA TSUI, KOWLOON, HONG KONG
Product Description
Product Name: 4G phone
Brand Name: Snapfon
Model Name: Snapfon ez4G
Series Model: N/A
Test Standards: 47 CFR Part 2, 22, 24(E), 27
Test Procedure: KDB 971168 D01 v03r01, ANSI C63.26 2015

This device described above has been tested by STS, the test results show that the equipment under test (EUT) is in compliance with the FCC requirements. And it is applicable only to the tested sample identified in the report.

This report shall not be reproduced except in full, without the written approval of STS, this document may be altered or revised by STS, personal only, and shall be noted in the revision of the document.

Date of Test:
Date of receipt of test item: 07 Sept. 2020
Date (s) of performance of tests: 07 Sept. 2020 ~ 09 Oct. 2020
Date of Issue: 09 Oct. 2020
Test Result: Pass

Testing Engineer: Chris Chen
(Chris Chen)

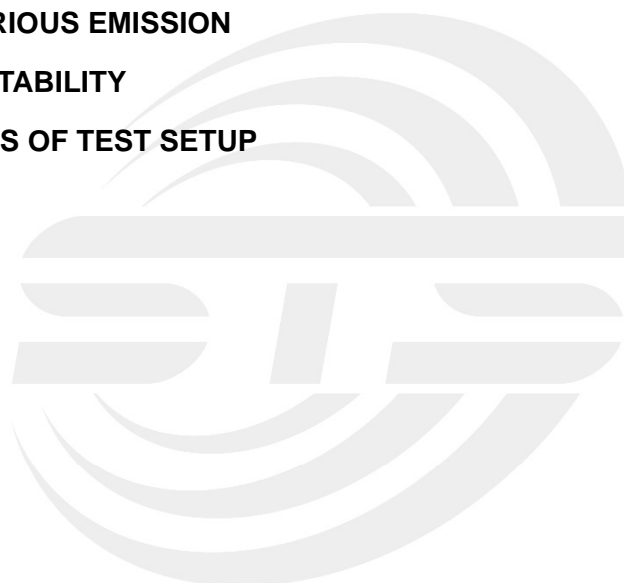
Technical Manager: Sean She
(Sean she)

Authorized Signatory: Vita Li
(Vita Li)





<b>Table of Contents</b>	<b>Page</b>
<b>1. TEST FACTORY &amp; MEASUREMENT UNCERTAINTY</b>	<b>5</b>
<b>2. GENERAL INFORMATION</b>	<b>6</b>
<b>3. CONDUCTED OUTPUT POWER</b>	<b>14</b>
<b>4. PEAK-TO-AVERAGE RATIO</b>	<b>30</b>
<b>5. RADIATED POWER AND EFFECTIVE ISOTROPIC RADIATED POWER</b>	<b>33</b>
<b>6. OCCUPIED BANDWIDTH</b>	<b>50</b>
<b>7. CONDUCTED BAND EDGE</b>	<b>53</b>
<b>8. CONDUCTED SPURIOUS EMISSION</b>	<b>55</b>
<b>9. RADIATED SPURIOUS EMISSION</b>	<b>56</b>
<b>10. FREQUENCY STABILITY</b>	<b>88</b>
<b>APPENDIX-PHOTOS OF TEST SETUP</b>	<b>95</b>



**Revision History**

Rev.	Issue Date	Report NO.	Effect Page	Contents
00	09 Oct. 2020	STS2009191W02	ALL	Initial Issue





## 1. TEST FACTORY & MEASUREMENT UNCERTAINTY

### 1.1 TEST FACTORY

SHENZHEN STS TEST SERVICES CO., LTD

Add. : A 1/F, Building B, Zhuoke Science Park, No.190 Chongqing Road, HepingShequ, Fuyong Sub-District, Bao'an District, Shenzhen, Guang Dong, China

FCC test Firm Registration Number: 625569

IC test Firm Registration Number: 12108A

A2LA Certificate No.: 4338.01

### 1.2 MEASUREMENT UNCERTAINTY

The reported uncertainty of measurement  $y \pm U$ , where expanded uncertainty  $U$  is based on a standard uncertainty multiplied by a coverage factor of  $k=2$ , providing a level of confidence of approximately 95 %.

No.	Item	Uncertainty
1	RF output power, conducted	$\pm 0.68\text{dB}$
2	Unwanted Emissions, conducted	$\pm 2.988\text{dB}$
3	All emissions, radiated 30-1GHz	$\pm 5.6\text{dB}$
4	All emissions, radiated 1G-6GHz	$\pm 5.5\text{dB}$
5	All emissions, radiated >6G	$\pm 5.8\text{dB}$
6	Conducted Emission (9KHz-150KHz)	$\pm 3.37\text{dB}$
7	Conducted Emission (150KHz-30MHz)	$\pm 3.83\text{dB}$



## 2. GENERAL INFORMATION

### 2.1 TECHNICAL SPECIFICATIONS AND REGULATIONS

#### 2.1.1 PRODUCT DESCRIPTION

A major technical description of EUT is described as following:

Product Name	4G phone
Trade Name	Snapfon
Model Name	Snapfon ez4G
Series Model	N/A
Model Difference	N/A
Frequency Bands	U.S. Bands: LTE FDD Band 2      LTE FDD Band 4 LTE FDD Band 5      LTE FDD Band 12 LTE FDD Band 66     LTE FDD Band 71
SIM Card	Only support single SIM Card.
Antenna	PIFA
Antenna gain	0.5 dBi
Battery parameter	Rated Voltage: 3.7V Charge Limit: 4.2V Capacity: 1500mAh
Adapter	Input: AC 100-240V 50/60Hz 0.2A Output: DC 5V 1A
Extreme Vol. Limits	4.2V to 3.5V (Nominal 3.7V)
Extreme Temp. Tolerance	-30°C to +50°C
Hardware version number	G1-MB-V1.1
Software version number	Snapfon_ez4G_v2.0_20200821_1249



2.1.2 PRODUCT SPECIFICATION SUBJECTIVE TO THIS STANDARD

Product Specification Subjective To This Standard	
Tx Frequency	LTE Band 2:1850~1910MHz LTE Band 4:1710~1755MHz LTE Band 5:824~849MHz LTE Band 12:699~716MHz LTE Band 66:1695~1710MHz LTE Band 71:663~698MHz
Rx Frequency	LTE Band 2:1930 ~1990MHz LTE Band 4:2110~2155MHz LTE Band 5:869~894MHz LTE Band 12:729~746MHz LTE Band 66:1995~2200MHz LTE Band 71:617~652MHz
Bandwidth	LTE Band 2: 1.4MHz / 3MHz / 5MHz / 10MHz / 15MHz / 20MHz LTE Band 4: 1.4MHz / 3MHz / 5MHz / 10MHz / 15MHz /20MHz LTE Band 5: 1.4MHz / 3MHz / 5MHz / 10MHz LTE Band 12: 1.4MHz / 3MHz / 5MHz / 10MHz LTE Band 66: 1.4MHz / 3MHz / 5MHz / 10MHz / 15MHz /20MHz LTE Band 71: 5MHz / 10MHz / 15MHz /20MHz
Maximum Output Power	LTE Band 2: 23.87 dBm LTE Band 4: 23.85 dBm LTE Band 5: 24.88 dBm LTE Band 12: 24.85 dBm LTE Band 66: 24.73 dBm LTE Band 71: 23.55 dBm

RF Function	Band	UE Category UL	Modulation	Power Class	Ant Gain(dBi)	Ant Type	SIM Card
LTE	FDD:B2/4/5 /12/66/71	4	QPSK, 16QAM	3	0.5dBi	PIFA	1 SIM 1 is used to tested.



2.1.3 EMISSION DESIGNATOR

LTE Band 2	Emission Designator	Emission Designator
BW(MHz)	(99%OBW)QPSK	(99%OBW)16QAM
1.4	1M34G7D	1M25W7D
3	2M69G7D	2M68W7D
5	4M56G7D	4M57W7D
10	8M95G7D	8M96W7D
15	13M5G7D	13M5W7D
20	17M9G7D	18M0W7D
LTE Band 4	Emission Designator	Emission Designator
BW(MHz)	(99%OBW)QPSK	(99%OBW)16QAM
1.4	1M10G7D	1M10W7D
3	2M68G7D	2M68W7D
5	4M53G7D	4M54W7D
10	8M94G7D	8M95W7D
15	13M5G7D	13M5W7D
20	17M9G7D	17M9W7D
LTE Band 5	Emission Designator	Emission Designator
BW(MHz)	(99%OBW)QPSK	(99%OBW)16QAM
1.4	1M10G7D	1M10W7D
3	2M68G7D	2M68W7D
5	4M54G7D	4M56W7D
10	8M99G7D	8M98W7D
LTE Band 12	Emission Designator	Emission Designator
BW(MHz)	(99%OBW)QPSK	(99%OBW)16QAM
1.4	1M11G7D	1M10W7D
3	2M69G7D	2M68W7D
5	4M53G7D	4M57W7D
10	8M98G7D	8M98W7D
LTE Band 66	Emission Designator	Emission Designator
BW(MHz)	(99%OBW)QPSK	(99%OBW)16QAM
1.4	1M10G7D	1M10W7D
3	2M68G7D	2M68W7D
5	4M53G7D	4M53W7D
10	8M94G7D	8M95W7D
15	13M5G7D	13M5W7D
20	17M9G7D	17M9W7D
LTE Band 71	Emission Designator	Emission Designator
BW(MHz)	(99%OBW)QPSK	(99%OBW)16QAM
5	4M54G7D	4M55W7D
10	8M96G7D	8M97W7D
15	13M5G7D	13M5W7D
20	17M9G7D	18M0W7D





2.1.4 TEST CONFIGURATION OF EQUIPMENT UNDER TEST

Antenna port conducted and radiated test items listed below are performed according to KDB 971168 D01 v03r01 and ANSI C63.26 2015 Power Meas. License Digital Systems with maximum output power. Radiated measurements are performed by rotating the EUT in three different orthogonal test planes to find the maximum emission.

Remark:

1. The mark 'v' means that this configuration is chosen for testing
2. The mark '-' means that this bandwidth is not supported.
3. The device is investigated from 30MHz to 10 times of fundamental signal for radiated.

ITEMS	Band	Bandwidth (MHz)						Modulation		RB #			Test Channel		
		1.4	3	5	10	15	20	QPSK	16QAM	1	Half	Full	L	M	H
Max. Output Power	2	v	v	v	v	v	v	v	v	v	v	v	v	v	v
	4	v	v	v	v	v	v	v	v	v	v	v	v	v	v
	5	v	v	v	v			v	v	v	v	v	v	v	v
	12	v	v	v	v			v	v	v	v	v	v	v	v
	66	v	v	v	v	v	v	v	v	v	v	v	v	v	v
	71			v	v	v	v	v	v	v	v	v	v	v	v
Peak&Avera Ratio	2						v	v	v	v		v	v	v	v
	4						v	v	v	v		v	v	v	v
	5				v			v	v	v		v	v	v	v
	12				v			v	v	v		v	v	v	v
	66						v	v	v	v		v	v	v	v
	71						v	v	v	v		v	v	v	v
26dB&99% Bandwidth	2	v	v	v	v	v	v	v	v			v	v	v	v
	4	v	v	v	v	v	v	v	v			v	v	v	v
	5	v	v	v	v			v	v			v	v	v	v
	12	v	v	v	v			v	v			v	v	v	v
	66	v	v	v	v	v	v	v	v			v	v	v	v
	71			v	v	v	v	v	v			v	v	v	v
Conducted Band Edge	2	v	v	v	v	v	v	v	v	v		v	v	v	v
	4	v	v	v	v	v	v	v	v	v		v	v	v	v
	5	v	v	v	v			v	v	v		v	v	v	v
	12	v	v	v	v			v	v	v		v	v	v	v
	66	v	v	v	v	v	v	v	v	v		v	v	v	v
	71			v	v	v	v	v	v	v		v	v	v	v
Conducted Spurious Emission	2	v	v	v	v	v	v	v	v	v			v	v	v
	4	v	v	v	v	v	v	v	v	v			v	v	v
	5	v	v	v	v			v	v	v			v	v	v
	12	v	v	v	v			v	v	v			v	v	v
	66	v	v	v	v	v	v	v	v	v			v	v	v
	71			v	v	v	v	v	v	v			v	v	v



Frequency Stability	2				v			v				v		v	
	4				v			v				v		v	
	5				v			v				v		v	
	12				v			v				v		v	
	66				v			v				v		v	
	71				v			v				v		v	
E.R.P.& E.I.R.P.	2	v	v	v	v	v	v	v	v	v			v	v	v
	4	v	v	v	v	v	v	v	v	v			v	v	v
	5	v	v	v	v			v	v	v			v	v	v
	12	v	v	v	v			v	v	v			v	v	v
	66	v	v	v	v	v	v	v	v	v			v	v	v
	71			v	v	v	v	v	v	v			v	v	v
Radiated Spurious Emission	2	v	v	v	v	v	v	v		v			v	v	v
	4	v	v	v	v	v	v	v		v			v	v	v
	5	v	v	v	v			v		v			v	v	v
	12	v	v	v	v			v		v			v	v	v
	66	v	v	v	v	v	v	v		v			v	v	v
	71			v	v	v	v	v		v			v	v	v





#### 2.1.5 RELATED SUBMITTAL(S) / GRANT (S)

This submittal(s) (test report) is intended for filing to comply with the 47 CFR Part 2, 22, 24(E), 27.

#### 2.1.6 SPECIAL ACCESSORIES

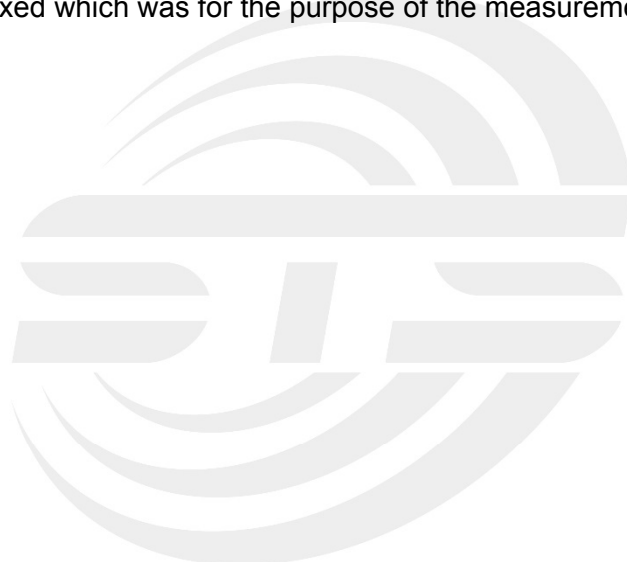
The battery and the charger, earphone supplied by the applicant were used as accessories and being tested with eut intended for fcc grant together.

#### 2.1.7 EUT CONFIGURATION

The EUT configuration for testing is installed on RF field strength measurement to meet the Commission's requirement and operating in a manner which intends to maximize its emission characteristics in a continuous normal application.

#### 2.1.8 EUT EXERCISE

The Transmitter was operated in the maximum output power mode through Communication Tester. The TX frequency was fixed which was for the purpose of the measurements.





### 2.1.9 CONFIGURATION OF EUT SYSTEM

The EUT configuration for testing is installed on RF field strength measurement to meet the Commission's requirement and operating in a manner which intends to maximize its emission characteristics in a continuous normal application.

E-1  
EUT

Table 2-1 Equipment Used in EUT System

Item	Equipment	Model No.	Length	Note
N/A	N/A	N/A	N/A	N/A

Note:

(1) For detachable type I/O cable should be specified the length in cm in 『Length』 column.



2.1.10 MEASUREMENT INSTRUMENTS

The radiated emission testing was performed according to the procedures of ANSI C63.26 2015 and FCC CFR 47 rules of 2.1046, 2.1047, 2.1049, 2.1051, 2.1053, 2.1055, 2.1057.

Radiation Test equipment

Kind of Equipment	Manufacturer	Type No.	Serial No.	Last calibration	Calibrated until
Test Receiver	R&S	ESCI	101427	2020.10.12	2021.10.11
Signal Analyzer	R&S	FSV 40-N	101823	2020.10.10	2021.10.09
Signal Generator	Agilent	83752A	3610A02740	2020.10.10	2021.10.09
Wireless Communications Test Set	R&S	CMW 500	133884	2020.03.05	2021.03.04
Bilog Antenna	TESEQ	CBL6111D	34678	2020.10.12	2022.10.11
Horn Antenna	SCHWARZBECK	BBHA 9120D	02014	2019.10.15	2021.10.14
Bilog Antenna	TESEQ	CBL6111D	45873	2020.10.12	2022.10.11
Horn Antenna	SCHWARZBECK	BBHA 9120D	9120D-1343	2020.10.12	2022.10.11
SHF-EHF Horn Antenna (18G-40GHz)	A-INFO	LB-180400-KF	J211020657	2020.10.12	2022.10.11
Pre-Amplifier(0.1M-3GHz)	EM	EM330	060665	2020.10.12	2021.10.11
Pre-Amplifier (1G-18GHz)	SKET	LNPA-01018G-45	SK2018080901	2020.10.12	2021.10.11
Pre-Amplifier (18G-40GHz)	SKET	LNPA-1840-50	SK2018101801	2020.10.10	2021.10.09
Turn table	EM	SC100_1	60531	N/A	N/A
Antenna mast	EM	SC100	N/A	N/A	N/A
Temperature & Humidity	HH660	Mieo	N/A	2020.10.13	2021.10.12
Test SW	BULUN	BL410-E/18.905			

RF Connected Test

Kind of Equipment	Manufacturer	Type No.	Serial No.	Last calibration	Calibrated until
Universal Radio communication tester	R&S	CMU200	119907	2020.10.12	2021.10.11
Wireless Communications Test Set	R&S	CMW 500	133884	2020.03.05	2021.03.04
Signal Analyzer	Agilent	N9020A	MY52440124	2020.03.05	2021.03.04
Temperature & Humidity test chamber	Safety test	AG80L	171200018	2020.03.05	2021.03.04
Programmable power supply	Agilent	E3642A	MY40002025	2020.10.12	2021.10.11
Temperature & Humidity	SW-108	SuWei	N/A	2020.03.07	2021.03.06
Test SW	FARAD	LZ-RF /LzRf-3A3			

### 2.1.11 MEASUREMENT RESULTS EXPLANATION EXAMPLE

For all conducted test items:

The offset level is set in the spectrum analyzer to compensate the RF cable loss and attenuator factor between EUT conducted output port and spectrum analyzer. With the offset compensation, the spectrum analyzer reading level is exactly the EUT RF output level.

The spectrum analyzer offset is derived from RF cable loss and attenuator factor.

*Offset = RF Cable Loss + Attenuator Factor.*

## 3. CONDUCTED OUTPUT POWER

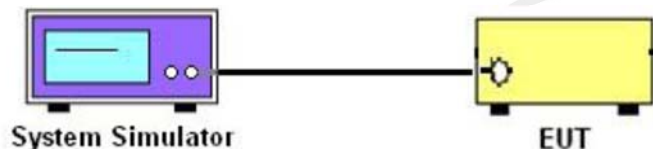
### 3.1 DESCRIPTION OF THE CONDUCTED OUTPUT POWER MEASUREMENT

#### 3.1.1 MEASUREMENT METHOD

A system simulator was used to establish communication with the eut. Its parameters were set to force the eut transmitting at maximum output power. The measured power in the radio frequency on the transmitter output terminals shall be reported.

Configuration follows KDB 971168 D01 v03r01.

#### 3.1.2 TEST SETUP



#### 3.1.3 TEST PROCEDURES

1. The transmitter output port was connected to system simulator.
2. Set EUT at maximum power through the system simulator.
3. Select lowest/middle/highest channels for each band and different modulation.
4. Measure and record the power level from the system simulator.



3.1.4 TEST RESULTS

LTE Band 2 Maximum Average Power [dBm]						
BW [MHz]	RB Size	RB Offset	Mod	Lowest	Middle	Highest
1.4	1	0	QPSK	23.68	23.55	23.41
1.4	1	2		23.46	23.27	23.19
1.4	1	5		23.18	23.00	22.90
1.4	3	0		22.97	22.74	22.63
1.4	3	1		22.74	22.44	22.40
1.4	3	2		22.47	22.20	22.13
1.4	6	0		22.21	21.91	21.91
1.4	1	0	16-QAM	23.39	23.33	23.21
1.4	1	2		23.13	23.05	22.96
1.4	1	5		22.83	22.80	22.73
1.4	3	0		22.59	22.54	22.45
1.4	3	1		22.37	22.27	22.17
1.4	3	2		22.11	22.05	21.89
1.4	6	0		21.84	21.78	21.66
3	1	0	QPSK	23.42	23.37	23.39
3	1	7		23.18	23.12	23.09
3	1	14		22.92	22.87	22.87
3	8	0		22.68	22.65	22.64
3	8	4		22.42	22.38	22.36
3	8	7		22.18	22.12	22.15
3	15	0		21.93	21.88	21.91
3	1	0	16-QAM	23.21	23.09	23.18
3	1	7		22.98	22.81	22.93
3	1	14		22.74	22.52	22.70
3	8	0		22.51	22.28	22.47
3	8	4		22.25	22.08	22.22
3	8	7		21.99	21.87	21.99
3	15	0		21.71	21.58	21.72



LTE Band 2 Maximum Average Power [dBm]						
BW [MHz]	RB Size	RB Offset	Mod	Lowest	Middle	Highest
5	1	0	QPSK	23.54	23.49	23.38
5	1	12		23.27	23.23	23.15
5	1	24		23.02	22.97	22.94
5	12	0		22.78	22.68	22.67
5	12	6		22.48	22.45	22.38
5	12	11		22.24	22.25	22.09
5	25	0		21.99	21.97	21.87
5	1	0	16-QAM	23.28	23.29	23.11
5	1	12		23.01	23.04	22.90
5	1	24		22.76	22.82	22.66
5	12	0		22.53	22.56	22.37
5	12	6		22.26	22.26	22.15
5	12	11		22.03	21.99	21.89
5	25	0		21.77	21.74	21.65
10	1	0	QPSK	23.49	23.40	23.19
10	1	24		23.19	23.10	22.97
10	1	49		22.98	22.84	22.76
10	25	0		22.72	22.58	22.54
10	25	12		22.43	22.32	22.29
10	25	24		22.17	22.05	22.08
10	50	0		21.93	21.85	21.86
10	1	0	16-QAM	23.29	23.15	22.89
10	1	24		23.05	22.92	22.59
10	1	49		22.82	22.69	22.30
10	25	0		22.62	22.43	22.09
10	25	12		22.33	22.17	21.81
10	25	24		22.12	21.93	21.52
10	50	0		21.88	21.71	21.30





LTE Band 2 Maximum Average Power [dBm]						
BW [MHz]	RB Size	RB Offset	Mod	Lowest	Middle	Highest
15	1	0	QPSK	23.38	23.31	23.26
15	1	37		23.16	23.02	23.02
15	1	74		22.90	22.80	22.74
15	36	0		22.62	22.60	22.50
15	36	18		22.40	22.33	22.30
15	36	39		22.19	22.09	22.02
15	75	0		21.99	21.82	21.76
15	1	0	16-QAM	23.08	23.07	23.04
15	1	38		22.82	22.86	22.75
15	1	75		22.57	22.61	22.50
15	36	0		22.27	22.41	22.26
15	36	18		22.07	22.14	22.05
15	36	39		21.78	21.88	21.82
15	75	0		21.53	21.66	21.57
20	1	0	QPSK	23.87	23.44	23.52
20	1	49		23.66	23.16	23.28
20	1	99		23.36	22.90	23.00
20	50	0		23.14	22.69	22.74
20	50	24		22.85	22.45	22.52
20	50	49		22.60	22.15	22.28
20	100	0		22.33	21.91	22.05
20	1	0	16-QAM	23.62	23.18	23.31
20	1	49		23.34	22.96	23.09
20	1	99		23.07	22.66	22.86
20	50	0		22.86	22.41	22.58
20	50	24		22.61	22.17	22.29
20	50	49		22.34	21.96	22.02
20	100	0		22.12	21.71	21.73



LTE Band 4 Maximum Average Power [dBm]						
BW [MHz]	RB Size	RB Offset	Mod	Lowest	Middle	Highest
1.4	1	0	QPSK	23.79	23.58	23.64
1.4	1	2		23.57	23.34	23.40
1.4	1	5		23.36	23.07	23.17
1.4	3	0		23.09	22.85	22.91
1.4	3	1		22.86	22.58	22.68
1.4	3	2		22.64	22.28	22.45
1.4	6	0		22.35	22.01	22.23
1.4	1	0	16-QAM	23.59	23.35	23.41
1.4	1	2		23.29	23.11	23.12
1.4	1	5		23.01	22.82	22.91
1.4	3	0		22.77	22.53	22.67
1.4	3	1		22.51	22.33	22.38
1.4	3	2		22.23	22.12	22.12
1.4	6	0		21.96	21.86	21.88
3	1	0	QPSK	23.65	23.59	23.62
3	1	7		23.37	23.31	23.33
3	1	14		23.08	23.07	23.08
3	8	0		22.85	22.80	22.79
3	8	4		22.63	22.55	22.50
3	8	7		22.43	22.34	22.27
3	15	0		22.17	22.06	22.04
3	1	0	16-QAM	23.35	23.33	23.34
3	1	7		23.15	23.04	23.06
3	1	14		22.91	22.79	22.86
3	8	0		22.67	22.54	22.64
3	8	4		22.39	22.28	22.36
3	8	7		22.15	21.98	22.12
3	15	0		21.91	21.69	21.88



LTE Band 4 Maximum Average Power [dBm]						
BW [MHz]	RB Size	RB Offset	Mod	Lowest	Middle	Highest
5	1	0	QPSK	23.62	23.51	23.58
5	1	12		23.41	23.29	23.36
5	1	24		23.14	22.99	23.07
5	12	0		22.85	22.79	22.82
5	12	6		22.63	22.56	22.58
5	12	11		22.34	22.27	22.29
5	25	0		22.12	22.03	22.02
5	1	0	16-QAM	23.32	23.30	23.29
5	1	12		23.02	23.04	23.02
5	1	24		22.75	22.75	22.80
5	12	0		22.54	22.52	22.51
5	12	6		22.26	22.22	22.28
5	12	11		22.04	21.94	22.01
5	25	0		21.83	21.70	21.71
10	1	0	QPSK	23.72	23.66	23.60
10	1	24		23.43	23.42	23.34
10	1	49		23.20	23.21	23.07
10	25	0		22.91	22.93	22.85
10	25	12		22.70	22.64	22.59
10	25	24		22.44	22.43	22.30
10	50	0		22.22	22.15	22.04
10	1	0	16-QAM	23.51	23.37	23.32
10	1	24		23.27	23.11	23.10
10	1	49		23.02	22.84	22.86
10	25	0		22.74	22.59	22.59
10	25	12		22.54	22.39	22.38
10	25	24		22.27	22.17	22.12
10	50	0		22.05	21.95	21.87



LTE Band 4 Maximum Average Power [dBm]						
BW [MHz]	RB Size	RB Offset	Mod	Lowest	Middle	Highest
15	1	0	QPSK	23.44	23.37	23.41
15	1	37		23.17	23.15	23.16
15	1	74		22.96	22.90	22.89
15	36	0		22.68	22.67	22.59
15	36	18		22.40	22.44	22.39
15	36	39		22.18	22.20	22.17
15	75	0		21.92	21.91	21.90
15	1	0	16-QAM	23.17	23.08	23.12
15	1	38		22.91	22.83	22.83
15	1	75		22.68	22.58	22.54
15	36	0		22.44	22.36	22.26
15	36	18		22.17	22.12	22.02
15	36	39		21.89	21.87	21.75
15	75	0		21.68	21.62	21.52
20	1	0	QPSK	23.85	23.47	23.63
20	1	49		23.62	23.22	23.40
20	1	99		23.40	22.94	23.19
20	50	0		23.12	22.73	22.99
20	50	24		22.86	22.50	22.78
20	50	49		22.59	22.25	22.49
20	100	0		22.30	21.99	22.24
20	1	0	16-QAM	23.56	23.25	23.34
20	1	49		23.29	23.01	23.04
20	1	99		23.01	22.80	22.75
20	50	0		22.78	22.54	22.52
20	50	24		22.49	22.33	22.24
20	50	49		22.24	22.05	21.96
20	100	0		21.98	21.77	21.69



LTE Band 5 Maximum Average Power [dBm]						
BW [MHz]	RB Size	RB Offset	Mod	Lowest	Middle	Highest
1.4	1	0	QPSK	24.85	24.66	24.72
1.4	1	2		24.58	24.38	24.42
1.4	1	5		24.34	24.11	24.17
1.4	3	0		24.11	23.82	23.96
1.4	3	1		23.90	23.52	23.76
1.4	3	2		23.69	23.26	23.50
1.4	6	0		23.42	23.03	23.25
1.4	1	0	16-QAM	24.61	24.37	24.50
1.4	1	2		24.41	24.08	24.27
1.4	1	5		24.13	23.81	24.00
1.4	3	0		23.87	23.59	23.73
1.4	3	1		23.64	23.37	23.47
1.4	3	2		23.43	23.14	23.18
1.4	6	0		23.16	22.89	22.95
3	1	0	QPSK	24.77	24.65	24.70
3	1	7		24.55	24.36	24.43
3	1	14		24.31	24.10	24.16
3	8	0		24.07	23.81	23.87
3	8	4		23.84	23.56	23.62
3	8	7		23.61	23.35	23.34
3	15	0		23.33	23.06	23.11
3	1	0	16-QAM	24.56	24.42	24.49
3	1	7		24.27	24.17	24.22
3	1	14		24.05	23.95	24.02
3	8	0		23.76	23.72	23.76
3	8	4		23.49	23.47	23.49
3	8	7		23.24	23.19	23.23
3	15	0		23.00	22.92	22.95



LTE Band 5 Maximum Average Power [dBm]						
BW [MHz]	RB Size	RB Offset	Mod	Lowest	Middle	Highest
5	1	0	QPSK	24.69	24.58	24.63
5	1	12		24.49	24.33	24.42
5	1	24		24.25	24.12	24.15
5	12	0		23.95	23.85	23.93
5	12	6		23.67	23.55	23.69
5	12	11		23.45	23.30	23.40
5	25	0		23.20	23.09	23.10
5	1	0	16-QAM	24.47	24.28	24.40
5	1	12		24.22	24.04	24.19
5	1	24		23.99	23.82	23.98
5	12	0		23.74	23.60	23.77
5	12	6		23.46	23.37	23.53
5	12	11		23.24	23.10	23.31
5	25	0		23.01	22.81	23.09
10	1	0	QPSK	24.88	24.75	24.59
10	1	24		24.61	24.50	24.35
10	1	49		24.37	24.29	24.06
10	25	0		24.13	24.07	23.80
10	25	12		23.92	23.77	23.52
10	25	24		23.71	23.51	23.28
10	50	0		23.41	23.27	23.04
10	1	0	16-QAM	24.62	24.46	24.37
10	1	24		24.37	24.20	24.13
10	1	49		24.10	23.95	23.88
10	25	0		23.87	23.72	23.65
10	25	12		23.61	23.51	23.36
10	25	24		23.39	23.24	23.07
10	50	0		23.09	22.97	22.80



LTE Band 12 Maximum Average Power [dBm]						
BW [MHz]	RB Size	RB Offset	Mod	Lowest	Middle	Highest
1.4	1	0	QPSK	24.76	24.69	24.72
1.4	1	2		24.48	24.49	24.46
1.4	1	5		24.24	24.27	24.22
1.4	3	0		23.97	24.02	23.97
1.4	3	1		23.77	23.75	23.67
1.4	3	2		23.49	23.54	23.44
1.4	6	0		23.24	23.29	23.22
1.4	1	0	16-QAM	24.49	24.45	24.42
1.4	1	2		24.19	24.22	24.18
1.4	1	5		23.89	23.99	23.94
1.4	3	0		23.64	23.74	23.69
1.4	3	1		23.43	23.52	23.44
1.4	3	2		23.21	23.27	23.22
1.4	6	0		22.92	23.02	23.00
3	1	0	QPSK	24.68	24.55	24.62
3	1	7		24.39	24.29	24.35
3	1	14		24.15	24.08	24.14
3	8	0		23.90	23.79	23.93
3	8	4		23.66	23.57	23.71
3	8	7		23.40	23.29	23.51
3	15	0		23.17	23.06	23.31
3	1	0	16-QAM	24.40	24.33	24.33
3	1	7		24.11	24.03	24.05
3	1	14		23.90	23.83	23.77
3	8	0		23.64	23.55	23.52
3	8	4		23.41	23.28	23.26
3	8	7		23.19	23.04	23.03
3	15	0		22.98	22.82	22.81



LTE Band 12 Maximum Average Power [dBm]						
BW [MHz]	RB Size	RB Offset	Mod	Lowest	Middle	Highest
5	1	0	QPSK	24.66	24.52	24.60
5	1	12		24.40	24.32	24.33
5	1	24		24.14	24.09	24.06
5	12	0		23.87	23.82	23.83
5	12	6		23.63	23.55	23.60
5	12	11		23.42	23.34	23.35
5	25	0		23.21	23.07	23.10
5	1	0	16-QAM	24.43	24.26	24.30
5	1	12		24.19	24.04	24.04
5	1	24		23.97	23.76	23.82
5	12	0		23.75	23.48	23.58
5	12	6		23.54	23.27	23.36
5	12	11		23.31	23.07	23.06
5	25	0		23.08	22.77	22.80
10	1	0	QPSK	24.85	24.71	24.69
10	1	24		24.60	24.49	24.49
10	1	49		24.32	24.23	24.28
10	25	0		24.04	24.02	24.06
10	25	12		23.74	23.74	23.81
10	25	24		23.46	23.49	23.54
10	50	0		23.19	23.20	23.31
10	1	0	16-QAM	24.61	24.45	24.43
10	1	24		24.40	24.22	24.15
10	1	49		24.18	23.95	23.93
10	25	0		23.89	23.74	23.68
10	25	12		23.67	23.53	23.42
10	25	24		23.43	23.32	23.17
10	50	0		23.14	23.02	22.97





LTE Band 66 Maximum Average Power [dBm]						
BW [MHz]	RB Size	RB Offset	Mod	Lowest	Middle	Highest
1.4	1	0	QPSK	24.62	24.51	24.58
1.4	1	2		24.34	24.28	24.35
1.4	1	5		24.07	24.07	24.11
1.4	3	0		23.82	23.79	23.85
1.4	3	1		23.55	23.55	23.60
1.4	3	2		23.31	23.32	23.37
1.4	6	0		23.01	23.08	23.12
1.4	1	0	16-QAM	24.39	24.23	24.35
1.4	1	2		24.19	24.02	24.11
1.4	1	5		23.94	23.81	23.89
1.4	3	0		23.68	23.57	23.67
1.4	3	1		23.41	23.30	23.39
1.4	3	2		23.13	23.06	23.17
1.4	6	0		22.93	22.79	22.91
3	1	0	QPSK	24.59	24.52	24.55
3	1	7		24.29	24.29	24.30
3	1	14		24.05	24.04	24.06
3	8	0		23.82	23.83	23.85
3	8	4		23.58	23.54	23.63
3	8	7		23.31	23.34	23.40
3	15	0		23.09	23.14	23.11
3	1	0	16-QAM	24.30	24.29	24.28
3	1	7		24.08	24.06	24.07
3	1	14		23.86	23.83	23.80
3	8	0		23.59	23.55	23.51
3	8	4		23.31	23.34	23.25
3	8	7		23.11	23.04	23.02
3	15	0		22.87	22.84	22.79



LTE Band 66 Maximum Average Power [dBm]						
BW [MHz]	RB Size	RB Offset	Mod	Lowest	Middle	Highest
5	1	0	QPSK	24.56	24.49	24.45
5	1	12		24.27	24.20	24.23
5	1	24		24.00	23.95	23.98
5	12	0		23.73	23.67	23.68
5	12	6		23.48	23.38	23.40
5	12	11		23.24	23.17	23.14
5	25	0		22.97	22.96	22.94
5	1	0		24.29	24.23	24.21
5	1	12	16-QAM	24.01	23.97	23.92
5	1	24		23.76	23.68	23.67
5	12	0		23.53	23.42	23.45
5	12	6		23.29	23.13	23.20
5	12	11		23.06	22.90	22.92
5	25	0		22.79	22.62	22.71
10	1	0		QPSK	24.52	24.37
10	1	24	24.29		24.12	24.18
10	1	49	24.09		23.91	23.91
10	25	0	23.84		23.63	23.64
10	25	12	23.58		23.43	23.37
10	25	24	23.36		23.17	23.17
10	50	0	23.10		22.92	22.89
10	1	0	16-QAM	24.23	24.10	24.12
10	1	24		23.93	23.87	23.91
10	1	49		23.70	23.65	23.65
10	25	0		23.43	23.45	23.38
10	25	12		23.20	23.23	23.08
10	25	24		22.99	22.98	22.88
10	50	0		22.71	22.72	22.67



LTE Band 66 Maximum Average Power [dBm]						
BW [MHz]	RB Size	RB Offset	Mod	Lowest	Middle	Highest
15	1	0	QPSK	24.55	24.41	24.46
15	1	37		24.33	24.17	24.16
15	1	74		24.12	23.96	23.87
15	36	0		23.85	23.71	23.65
15	36	18		23.58	23.49	23.42
15	36	39		23.31	23.25	23.21
15	75	0		23.08	23.02	22.97
15	1	0	16-QAM	24.25	24.20	24.17
15	1	38		24.02	23.93	23.90
15	1	75		23.77	23.68	23.67
15	36	0		23.48	23.39	23.45
15	36	18		23.27	23.13	23.19
15	36	39		23.01	22.89	22.91
15	75	0		22.72	22.63	22.63
20	1	0	QPSK	24.73	24.49	24.57
20	1	49		24.45	24.20	24.31
20	1	99		24.20	23.93	24.05
20	50	0		23.93	23.64	23.83
20	50	24		23.64	23.35	23.60
20	50	49		23.39	23.10	23.38
20	100	0		23.15	22.84	23.13
20	1	0	16-QAM	24.43	24.28	24.34
20	1	49		24.18	24.01	24.10
20	1	99		23.96	23.76	23.83
20	50	0		23.70	23.51	23.59
20	50	24		23.41	23.21	23.34
20	50	49		23.21	22.94	23.05
20	100	0		22.92	22.72	22.84



LTE Band 71 Maximum Average Power [dBm]						
BW [MHz]	RB Size	RB Offset	Mod	Lowest	Middle	Highest
5	1	0	QPSK	23.42	23.35	23.38
5	1	12		23.22	23.15	23.16
5	1	24		22.96	22.90	22.86
5	12	0		22.70	22.68	22.66
5	12	6		22.45	22.41	22.42
5	12	11		22.20	22.11	22.19
5	25	0		21.98	21.83	21.99
5	1	0	16-QAM	23.20	23.14	23.17
5	1	12		22.94	22.91	22.89
5	1	24		22.66	22.70	22.63
5	12	0		22.40	22.43	22.42
5	12	6		22.13	22.15	22.13
5	12	11		21.84	21.91	21.87
5	25	0		21.61	21.65	21.62
10	1	0	QPSK	23.36	23.30	23.35
10	1	24		23.13	23.04	23.10
10	1	49		22.92	22.75	22.89
10	25	0		22.69	22.48	22.59
10	25	12		22.45	22.25	22.32
10	25	24		22.16	22.01	22.05
10	50	0		21.94	21.80	21.85
10	1	0	16-QAM	23.09	23.10	23.09
10	1	24		22.86	22.84	22.84
10	1	49		22.56	22.56	22.61
10	25	0		22.32	22.31	22.32
10	25	12		22.12	22.11	22.02
10	25	24		21.88	21.89	21.75
10	50	0		21.65	21.61	21.51



LTE Band 71 Maximum Average Power [dBm]						
BW [MHz]	RB Size	RB Offset	Mod	Lowest	Middle	Highest
15	1	0	QPSK	23.37	23.26	23.24
15	1	37		23.13	23.06	22.98
15	1	74		22.92	22.84	22.73
15	36	0		22.70	22.55	22.44
15	36	18		22.46	22.28	22.24
15	36	39		22.19	22.08	21.99
15	75	0		21.95	21.80	21.70
15	1	0	16-QAM	23.16	23.04	23.01
15	1	38		22.95	22.78	22.76
15	1	75		22.74	22.53	22.48
15	36	0		22.53	22.26	22.24
15	36	18		22.27	22.00	21.96
15	36	39		22.07	21.74	21.67
15	75	0		21.80	21.44	21.46
20	1	0	QPSK	23.55	23.38	23.40
20	1	49		23.28	23.13	23.18
20	1	99		23.04	22.86	22.93
20	50	0		22.78	22.60	22.64
20	50	24		22.52	22.40	22.41
20	50	49		22.31	22.17	22.19
20	100	0		22.09	21.95	21.91
20	1	0	16-QAM	23.28	23.17	23.14
20	1	49		22.99	22.88	22.91
20	1	99		22.72	22.67	22.64
20	50	0		22.43	22.44	22.36
20	50	24		22.18	22.21	22.14
20	50	49		21.96	21.98	21.93
20	100	0		21.74	21.77	21.64

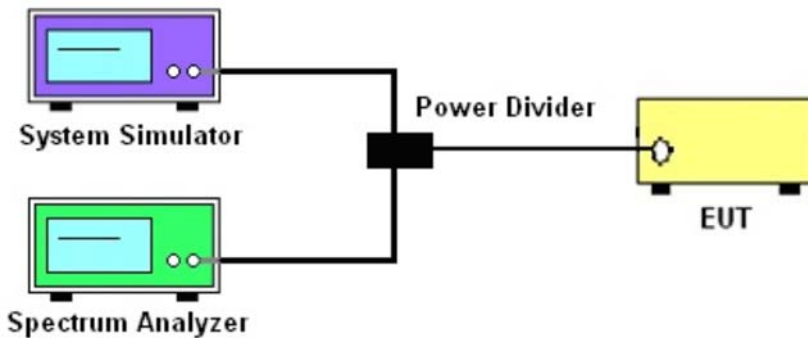
#### 4. PEAK-TO-AVERAGE RATIO

##### 4.1 DESCRIPTION OF THE CONDUCTED OUTPUT POWER MEASUREMENT

###### 4.1.1 MEASUREMENT METHOD

Use one of the procedures presented in 4.1.3 to measure the total peak power and record as PPK. Use one of the applicable procedures presented 4.1.3 to measure the total average power and record as PAVg. Both the peak and average power levels must be expressed in the same logarithmic units (e.g., dBm). Determine the PAPR from:  
 $PAPR (dB) = PPK (dBm) - PAVg (dBm)$ .

###### 4.1.2 TEST SETUP



###### 4.1.3 TEST PROCEDURES

1. The testing follows FCC KDB 971168 D01 v03r01 Section 5.7 and ANSI C63.26 2015 Section 5.2.6.
2. The EUT was connected to spectrum and system simulator via a power divider
3. Select lowest, middle, and highest channels for each band and different modulation.
4. Set the test probe and measure the peak and average power of the spectrum analyzer
5. Record the deviation as Peak to Average Ratio.

	LTE					
LTE BW	1.4M	3M	5M	10M	15M	20M
Span	3MHz	6MHz	10MHz	20MHz	30MHz	40MHz
RBW	30kHz	30kHz	100kHz	100kHz	300kHz	300kHz
VBW	100kHz	100kHz	300kHz	300kHz	1000kHz	1000kHz
Detector	PK/AVG	PK/AVG	PK/AVG	PK/AVG	PK/AVG	PK/AVG
Trace	Max	Max	Max	Max	Max	Max
Sweep Count	Auto	Auto	Auto	Auto	Auto	Auto



4.1.4 TEST RESULTS

LTE Band 2 PAR [dBm]					
BW [MHz]	RB Size	Modulation	Lowest	Middle	Highest
			P-A	P-A	P-A
20	1	QPSK	3.7	4	2.26
20	100		5.23	5.19	4.89
20	1	16-QAM	4.53	4.71	3.25
20	100		5.96	5.98	5.69
Limit			≤13dB		

LTE Band 4 PAR [dBm]					
BW [MHz]	RB Size	Modulation	Lowest	Middle	Highest
			P-A	P-A	P-A
20	1	QPSK	5.55	5.33	4.44
20	100		5.63	5.84	5.65
20	1	16-QAM	6.45	5.67	5.38
20	100		6.41	6.7	6.52
Limit			≤13dB		

LTE Band 5 PAR [dBm]					
BW [MHz]	RB Size	Modulation	Lowest	Middle	Highest
			P-A	P-A	P-A
10	1	QPSK	2.82	4.66	4.38
10	50		3.48	5.24	5.18
10	1	16-QAM	3.86	5.39	5.26
10	50		4.38	6.11	5.92
Limit			≤13dB		

LTE Band 12 PAR [dBm]					
BW [MHz]	RB Size	Modulation	Lowest	Middle	Highest
			P-A	P-A	P-A
10	1	QPSK	3.15	4.55	2.54
10	50		4.69	4.61	4.57
10	1	16-QAM	4.04	5.19	3.59
10	50		5.37	5.33	5.3
Limit			≤13dB		



LTE Band 66 PAR [dBm]					
			Lowest	Middle	Highest
			P-A	P-A	P-A
20	1		5.04	4.85	4.21
20	100		4.91	4.88	3.93
20	1		5.91	5.71	5.1
20	100		4.89	4.71	4.17
Limit			≤13dB		

LTE Band 71 PAR [dBm]					
BW [MHz]	RB Size	Modulation	Lowest	Middle	Highest
			P-A	P-A	P-A
20	1	QPSK	5.05	5.23	5.07
20	100		5.67	5.78	5.29
20	1	16-QAM	5.53	5.27	5.65
20	100		6.25	6.37	6.2
Limit			≤13dB		

Note: Test chart See Appendix D



## 5. RADIATED POWER AND EFFECTIVE ISOTROPIC RADIATED POWER

### 5.1 DESCRIPTION OF THE ERP/EIRP MEASUREMENT

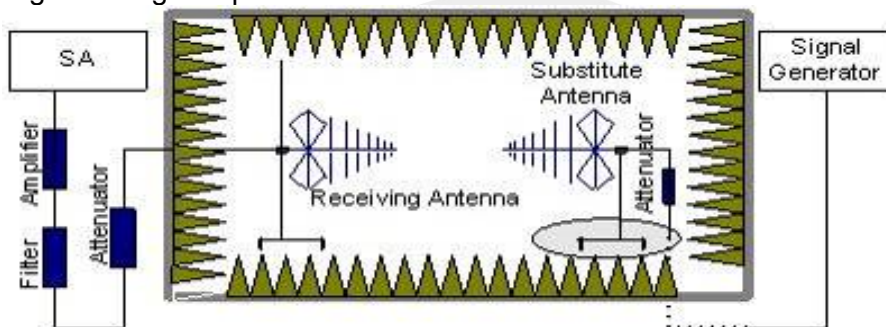
#### 5.1.1 MEASUREMENT METHOD

Effective radiated power output measurements by substitution method according to ANSI C63.26 2015, and the spectrum analyzer configuration follows KDB 971168 D01 Power Meas. License Digital Systems. Mobile and portable (hand-held) stations operating are limited to average ERP, Equivalent isotropic radiated power output measurements by substitution method according to ANSI C63.26 2015, and the spectrum analyzer configuration follows KDB 971168 D01 Power Meas, Mobile and portable (hand-held) stations operating are limited to average EIRP.

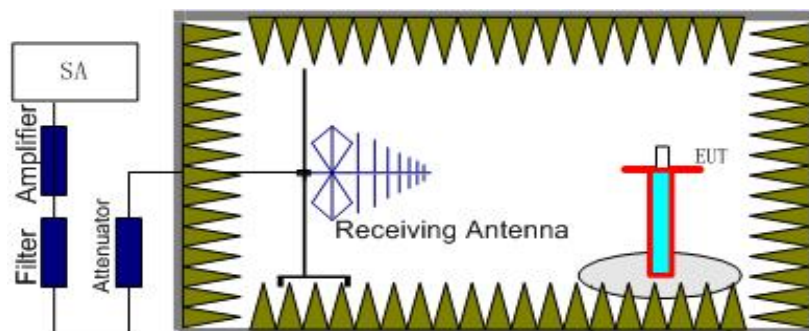
#### 5.1.2 TEST SETUP

The procedure of radiated spurious emissions is as follows:

a) Pre-calibration With pre-calibration method, the Radiated Spurious Emissions(RSE) is calculated as,  $RSE = R_x (dBuV) + CL (dB) + SA (dB) + Gain (dBi) - 107 (dBuV \text{ to } dBm)$  The SA is calibrated using following setup.



b) EUT was placed on a 1.5m non-conductive stand at a 3 m test distance from the receive antenna. A receiving antenna was placed on the antenna mast 3 m from the test item for emission measurements. The height of receiving antenna is 0.8m. The test setup refers to figure below. Detected emissions were maximized at each frequency by rotating the test item and adjusting the receiving antenna polarization. The radiated emission measurements of all non-harmonic and harmonics of the transmit frequency through the 10th harmonic measured with peak detector and 1MHz bandwidth.



Radiated emissions measurements were made only at the upper, middle, and lower carrier frequencies It was decided that measurements at these three carrier frequencies would be sufficient to demonstrate compliance with emissions limits because it was seen that all the significant spurs occur well outside the band and no radiation was seen from a carrier in one block of any band into any of the other blocks.

The substitution method is used. Substitution values at each frequency are measured before and saved to the test software. A "reference path loss" is established and the ARpl is the attenuation of "reference path loss", and including the gain of receive antenna, the gain of the preamplifier, the cable loss and the air loss. The measurement results are obtained as described below:

Power=PMea+ARpl



### 5.1.3 TEST PROCEDURES

1. The testing follows FCC KDB 971168 D01v03r01 Section 5.6 and ANSI C63.26 2015 Section 5.2.
2. The EUT was placed on a non-conductive rotating platform 1.5 meters high in a semi-anechoic chamber. The radiated emission at the fundamental frequency was measured at 3 m with a test antenna and a spectrum analyzer with Peak detector.
3. During the measurement, the system simulator parameters were set to force the EUT transmitting at maximum output power. The maximum emission was recorded from analyzer power level (LVL) from the 360 degrees rotation of the turntable and the test antenna raised and lowered over a range from 1 to 4 m in both horizontally and vertically polarized orientations.
4. Effective Isotropic Radiated Power (EIRP) was measured by substitution method according to ANSI C63.26 2015. The EUT was replaced by dipole antenna (substitution antenna) at same location and then a known power from S.G. was applied into the dipole antenna through a Tx cable, and then recorded the maximum Analyzer reading through raised and lowered the test antenna.  $EIRP = S.G \text{ Level} + \text{Gain} - \text{Cable loss}$ ;  $ERP = S.G \text{ Level} + \text{Gain} - \text{Cable loss} - 2.15$ .
5. RB Set greater than bandwidth, VB Set spectrum analyzer Maximum support.





5.1.4 TEST RESULTS

Note: Test is divided into three directions, X/Y/Z. X pattern for the worst.

Radiated Power (EIRP) for LTE Band 2 / 1.4M									
Modulation	RB		Channel	Result					Conclusion
	Size	Offset		S G.Level (dBm)	Cable loss	Gain (dBi)	PMeas E.I.R.P.(dBm)	Polarization Of Max. EIRP	
QPSK	1	0	Lowest	12.92	2.37	10.40	20.95	Horizontal	Pass
	1	0	Middle	12.98	2.39	10.42	21.01	Horizontal	Pass
	1	0	Highest	12.57	2.40	10.44	20.61	Horizontal	Pass
	1	0	Lowest	14.32	2.37	10.40	22.35	Vertical	Pass
	1	0	Middle	14.3	2.39	10.42	22.33	Vertical	Pass
	1	0	Highest	14.02	2.40	10.44	22.06	Vertical	Pass
16QAM	1	0	Lowest	12.7	2.37	10.40	20.73	Horizontal	Pass
	1	0	Middle	12.66	2.39	10.42	20.69	Horizontal	Pass
	1	0	Highest	12.43	2.40	10.44	20.47	Horizontal	Pass
	1	0	Lowest	14.09	2.37	10.40	22.12	Vertical	Pass
	1	0	Middle	14.09	2.39	10.42	22.12	Vertical	Pass
	1	0	Highest	13.81	2.40	10.44	21.85	Vertical	Pass
Limit	EIRP<2W=33dBm								

Radiated Power (EIRP) for LTE Band 2 / 3M									
Modulation	RB		Channel	Result					Conclusion
	Size	Offset		S G.Level (dBm)	Cable loss	Gain (dBi)	PMeas E.I.R.P.(dBm)	Polarization Of Max. EIRP	
QPSK	1	0	Lowest	12.82	2.37	10.40	20.85	Horizontal	Pass
	1	0	Middle	12.66	2.39	10.42	20.69	Horizontal	Pass
	1	0	Highest	12.58	2.40	10.44	20.62	Horizontal	Pass
	1	0	Lowest	14.19	2.37	10.40	22.22	Vertical	Pass
	1	0	Middle	14.11	2.39	10.42	22.14	Vertical	Pass
	1	0	Highest	14.04	2.40	10.44	22.08	Vertical	Pass
16QAM	1	0	Lowest	12.44	2.37	10.40	20.47	Horizontal	Pass
	1	0	Middle	12.4	2.39	10.42	20.43	Horizontal	Pass
	1	0	Highest	12.42	2.40	10.44	20.46	Horizontal	Pass
	1	0	Lowest	13.84	2.37	10.40	21.87	Vertical	Pass
	1	0	Middle	13.75	2.39	10.42	21.78	Vertical	Pass
	1	0	Highest	13.83	2.40	10.44	21.87	Vertical	Pass
Limit	EIRP<2W=33dBm								



Radiated Power (EIRP) for LTE Band 2 / 5M									
Modulation	RB		Channel	Result					Conclusion
	Size	Offset		S G.Level (dBm)	Cable loss	Gain (dBi)	PMeas E.I.R.P.(dBm)	Polarization Of Max. EIRP	
QPSK	1	0	Lowest	12.72	2.37	10.40	20.75	Horizontal	Pass
	1	0	Middle	12.79	2.39	10.42	20.82	Horizontal	Pass
	1	0	Highest	12.81	2.40	10.44	20.85	Horizontal	Pass
	1	0	Lowest	14.12	2.37	10.40	22.15	Vertical	Pass
	1	0	Middle	14.21	2.39	10.42	22.24	Vertical	Pass
	1	0	Highest	14.13	2.40	10.44	22.17	Vertical	Pass
16QAM	1	0	Lowest	12.57	2.37	10.40	20.60	Horizontal	Pass
	1	0	Middle	12.5	2.39	10.42	20.53	Horizontal	Pass
	1	0	Highest	12.42	2.40	10.44	20.46	Horizontal	Pass
	1	0	Lowest	14.03	2.37	10.40	22.06	Vertical	Pass
	1	0	Middle	13.86	2.39	10.42	21.89	Vertical	Pass
	1	0	Highest	13.74	2.40	10.44	21.78	Vertical	Pass
Limit	EIRP<2W=33dBm								

Radiated Power (EIRP) for LTE Band 2 / 10M									
Modulation	RB		Channel	Result					Conclusion
	Size	Offset		S G.Level (dBm)	Cable loss	Gain (dBi)	PMeas E.I.R.P.(dBm)	Polarization Of Max. EIRP	
QPSK	1	0	Lowest	12.77	2.37	10.40	20.80	Horizontal	Pass
	1	0	Middle	12.56	2.39	10.42	20.59	Horizontal	Pass
	1	0	Highest	12.32	2.40	10.44	20.36	Horizontal	Pass
	1	0	Lowest	14.16	2.37	10.40	22.19	Vertical	Pass
	1	0	Middle	14.01	2.39	10.42	22.04	Vertical	Pass
	1	0	Highest	13.8	2.40	10.44	21.84	Vertical	Pass
16QAM	1	0	Lowest	12.51	2.37	10.40	20.54	Horizontal	Pass
	1	0	Middle	12.52	2.39	10.42	20.55	Horizontal	Pass
	1	0	Highest	12.03	2.40	10.44	20.07	Horizontal	Pass
	1	0	Lowest	13.94	2.37	10.40	21.97	Vertical	Pass
	1	0	Middle	13.87	2.39	10.42	21.90	Vertical	Pass
	1	0	Highest	13.48	2.40	10.44	21.52	Vertical	Pass
Limit	EIRP<2W=33dBm								



Radiated Power (EIRP) for LTE Band 2 / 15M									
Modulation	RB		Channel	Result					Conclusion
	Size	Offset		S G.Level (dBm)	Cable loss	Gain (dBi)	PMeas E.I.R.P.(dBm)	Polarization Of Max. EIRP	
QPSK	1	0	Lowest	12.77	2.37	10.40	20.80	Horizontal	Pass
	1	0	Middle	12.67	2.39	10.42	20.70	Horizontal	Pass
	1	0	Highest	12.43	2.40	10.44	20.47	Horizontal	Pass
	1	0	Lowest	14.1	2.37	10.40	22.13	Vertical	Pass
	1	0	Middle	14.05	2.39	10.42	22.08	Vertical	Pass
	1	0	Highest	13.93	2.40	10.44	21.97	Vertical	Pass
16QAM	1	0	Lowest	12.32	2.37	10.40	20.35	Horizontal	Pass
	1	0	Middle	12.3	2.39	10.42	20.33	Horizontal	Pass
	1	0	Highest	12.31	2.40	10.44	20.35	Horizontal	Pass
	1	0	Lowest	13.76	2.37	10.40	21.79	Vertical	Pass
	1	0	Middle	13.69	2.39	10.42	21.72	Vertical	Pass
	1	0	Highest	13.76	2.40	10.44	21.80	Vertical	Pass
Limit	EIRP<2W=33dBm								

Radiated Power (EIRP) for LTE Band 2 / 20M									
Modulation	RB		Channel	Result					Conclusion
	Size	Offset		S G.Level (dBm)	Cable loss	Gain (dBi)	PMeas E.I.R.P.(dBm)	Polarization Of Max. EIRP	
QPSK	1	0	Lowest	13.13	2.37	10.40	21.16	Horizontal	Pass
	1	0	Middle	12.69	2.39	10.42	20.72	Horizontal	Pass
	1	0	Highest	12.93	2.40	10.44	20.97	Horizontal	Pass
	1	0	Lowest	14.56	2.37	10.40	22.59	Vertical	Pass
	1	0	Middle	14.1	2.39	10.42	22.13	Vertical	Pass
	1	0	Highest	14.25	2.40	10.44	22.29	Vertical	Pass
16QAM	1	0	Lowest	13.02	2.37	10.40	21.05	Horizontal	Pass
	1	0	Middle	12.56	2.39	10.42	20.59	Horizontal	Pass
	1	0	Highest	12.6	2.40	10.44	20.64	Horizontal	Pass
	1	0	Lowest	14.33	2.37	10.40	22.36	Vertical	Pass
	1	0	Middle	13.92	2.39	10.42	21.95	Vertical	Pass
	1	0	Highest	13.96	2.40	10.44	22.00	Vertical	Pass
Limit	EIRP<2W=33dBm								



Radiated Power (EIRP) for LTE Band 4 / 1.4M									
Modulation	RB		Channel	Result					Conclusion
	Size	Offset		S G.Level (dBm)	Cable loss	Gain (dBi)	PMeas E.I.R.P.(dBm)	Polarization Of Max. EIRP	
QPSK	1	0	Lowest	13.23	2.35	10.13	21.01	Horizontal	Pass
	1	0	Middle	13.08	2.36	10.16	20.88	Horizontal	Pass
	1	0	Highest	12.95	2.37	10.22	20.80	Horizontal	Pass
	1	0	Lowest	14.65	2.35	10.13	22.43	Vertical	Pass
	1	0	Middle	14.48	2.36	10.16	22.28	Vertical	Pass
	1	0	Highest	14.42	2.37	10.22	22.27	Vertical	Pass
16QAM	1	0	Lowest	13.14	2.35	10.13	20.92	Horizontal	Pass
	1	0	Middle	12.87	2.36	10.16	20.67	Horizontal	Pass
	1	0	Highest	12.93	2.37	10.22	20.78	Horizontal	Pass
	1	0	Lowest	14.6	2.35	10.13	22.38	Vertical	Pass
	1	0	Middle	14.31	2.36	10.16	22.11	Vertical	Pass
	1	0	Highest	14.24	2.37	10.22	22.09	Vertical	Pass
Limit	EIRP<1W=30dBm								

Radiated Power (EIRP) for LTE Band 4 / 3M									
Modulation	RB		Channel	Result					Conclusion
	Size	Offset		S G.Level (dBm)	Cable loss	Gain (dBi)	PMeas E.I.R.P.(dBm)	Polarization Of Max. EIRP	
QPSK	1	0	Lowest	13.16	2.35	10.13	20.94	Horizontal	Pass
	1	0	Middle	13.06	2.36	10.16	20.86	Horizontal	Pass
	1	0	Highest	12.96	2.37	10.22	20.81	Horizontal	Pass
	1	0	Lowest	14.51	2.35	10.13	22.29	Vertical	Pass
	1	0	Middle	14.54	2.36	10.16	22.34	Vertical	Pass
	1	0	Highest	14.41	2.37	10.22	22.26	Vertical	Pass
16QAM	1	0	Lowest	12.92	2.35	10.13	20.70	Horizontal	Pass
	1	0	Middle	12.77	2.36	10.16	20.57	Horizontal	Pass
	1	0	Highest	12.92	2.37	10.22	20.77	Horizontal	Pass
	1	0	Lowest	14.29	2.35	10.13	22.07	Vertical	Pass
	1	0	Middle	14.2	2.36	10.16	22.00	Vertical	Pass
	1	0	Highest	14.22	2.37	10.22	22.07	Vertical	Pass
Limit	EIRP<1W=30dBm								



Radiated Power (EIRP) for LTE Band 4 / 5M									
Modulation	RB		Channel	Result					Conclusion
	Size	Offset		S G.Level (dBm)	Cable loss	Gain (dBi)	PMeas E.I.R.P.(dBm)	Polarization Of Max. EIRP	
QPSK	1	0	Lowest	13.13	2.35	10.13	20.91	Horizontal	Pass
	1	0	Middle	12.86	2.36	10.16	20.66	Horizontal	Pass
	1	0	Highest	13.17	2.37	10.22	21.02	Horizontal	Pass
	1	0	Lowest	14.56	2.35	10.13	22.34	Vertical	Pass
	1	0	Middle	14.33	2.36	10.16	22.13	Vertical	Pass
	1	0	Highest	14.5	2.37	10.22	22.35	Vertical	Pass
16QAM	1	0	Lowest	12.8	2.35	10.13	20.58	Horizontal	Pass
	1	0	Middle	12.8	2.36	10.16	20.60	Horizontal	Pass
	1	0	Highest	12.71	2.37	10.22	20.56	Horizontal	Pass
	1	0	Lowest	14.22	2.35	10.13	22.00	Vertical	Pass
	1	0	Middle	14.2	2.36	10.16	22.00	Vertical	Pass
	1	0	Highest	14.1	2.37	10.22	21.95	Vertical	Pass
Limit	EIRP<1W=30dBm								

Radiated Power (EIRP) for LTE Band 4 / 10M									
Modulation	RB		Channel	Result					Conclusion
	Size	Offset		S G.Level (dBm)	Cable loss	Gain (dBi)	PMeas E.I.R.P.(dBm)	Polarization Of Max. EIRP	
QPSK	1	0	Lowest	13.28	2.35	10.13	21.06	Horizontal	Pass
	1	0	Middle	13.12	2.36	10.16	20.92	Horizontal	Pass
	1	0	Highest	13.05	2.37	10.22	20.90	Horizontal	Pass
	1	0	Lowest	14.67	2.35	10.13	22.45	Vertical	Pass
	1	0	Middle	14.55	2.36	10.16	22.35	Vertical	Pass
	1	0	Highest	14.47	2.37	10.22	22.32	Vertical	Pass
16QAM	1	0	Lowest	13.03	2.35	10.13	20.81	Horizontal	Pass
	1	0	Middle	12.83	2.36	10.16	20.63	Horizontal	Pass
	1	0	Highest	12.83	2.37	10.22	20.68	Horizontal	Pass
	1	0	Lowest	14.37	2.35	10.13	22.15	Vertical	Pass
	1	0	Middle	14.19	2.36	10.16	21.99	Vertical	Pass
	1	0	Highest	14.14	2.37	10.22	21.99	Vertical	Pass
Limit	EIRP<1W=30dBm								



Radiated Power (EIRP) for LTE Band 4 / 15M									
Modulation	RB		Channel	Result					Conclusion
	Size	Offset		S G.Level (dBm)	Cable loss	Gain (dBi)	PMeas E.I.R.P.(dBm)	Polarization Of Max. EIRP	
QPSK	1	0	Lowest	12.88	2.35	10.13	20.66	Horizontal	Pass
	1	0	Middle	12.79	2.36	10.16	20.59	Horizontal	Pass
	1	0	Highest	12.75	2.37	10.22	20.60	Horizontal	Pass
	1	0	Lowest	14.35	2.35	10.13	22.13	Vertical	Pass
	1	0	Middle	14.24	2.36	10.16	22.04	Vertical	Pass
	1	0	Highest	14.18	2.37	10.22	22.03	Vertical	Pass
16QAM	1	0	Lowest	12.72	2.35	10.13	20.50	Horizontal	Pass
	1	0	Middle	12.46	2.36	10.16	20.26	Horizontal	Pass
	1	0	Highest	12.49	2.37	10.22	20.34	Horizontal	Pass
	1	0	Lowest	14.05	2.35	10.13	21.83	Vertical	Pass
	1	0	Middle	13.96	2.36	10.16	21.76	Vertical	Pass
	1	0	Highest	13.96	2.37	10.22	21.81	Vertical	Pass
Limit	EIRP<1W=30dBm								

Radiated Power (EIRP) for LTE Band 4 / 20M									
Modulation	RB		Channel	Result					Conclusion
	Size	Offset		S G.Level (dBm)	Cable loss	Gain (dBi)	PMeas E.I.R.P.(dBm)	Polarization Of Max. EIRP	
QPSK	1	0	Lowest	13.34	2.35	10.13	21.12	Horizontal	Pass
	1	0	Middle	13.08	2.36	10.16	20.88	Horizontal	Pass
	1	0	Highest	13.09	2.37	10.22	20.94	Horizontal	Pass
	1	0	Lowest	14.72	2.35	10.13	22.50	Vertical	Pass
	1	0	Middle	14.4	2.36	10.16	22.20	Vertical	Pass
	1	0	Highest	14.57	2.37	10.22	22.42	Vertical	Pass
16QAM	1	0	Lowest	12.97	2.35	10.13	20.75	Horizontal	Pass
	1	0	Middle	12.67	2.36	10.16	20.47	Horizontal	Pass
	1	0	Highest	12.83	2.37	10.22	20.68	Horizontal	Pass
	1	0	Lowest	14.43	2.35	10.13	22.21	Vertical	Pass
	1	0	Middle	14.08	2.36	10.16	21.88	Vertical	Pass
	1	0	Highest	14.16	2.37	10.22	22.01	Vertical	Pass
Limit	EIRP<1W=30dBm								





Radiated Power (ERP) for LTE Band 5 / 1.4M										
Modulation	RB		Channel	Result						Conclusion
				S G.Level (dBm)	Cable loss	Gain (dBi)	correction factor(dB)	PMeas E.R.P(dBm)	Polarization	
	Size	Offset		Of Max. ERP						
QPSK	1	0	Lowest	18.84	1.27	6.70	2.15	22.12	Horizontal	Pass
	1	0	Middle	18.68	1.28	6.70	2.15	21.95	Horizontal	Pass
	1	0	Highest	18.77	1.29	6.70	2.15	22.03	Horizontal	Pass
	1	0	Lowest	20.18	1.27	6.70	2.15	23.46	Vertical	Pass
	1	0	Middle	20.01	1.28	6.70	2.15	23.28	Vertical	Pass
	1	0	Highest	20.21	1.29	6.70	2.15	23.47	Vertical	Pass
16QAM	1	0	Lowest	18.62	1.27	6.70	2.15	21.90	Horizontal	Pass
	1	0	Middle	18.41	1.28	6.70	2.15	21.68	Horizontal	Pass
	1	0	Highest	18.38	1.29	6.70	2.15	21.64	Horizontal	Pass
	1	0	Lowest	19.99	1.27	6.70	2.15	23.27	Vertical	Pass
	1	0	Middle	19.83	1.28	6.70	2.15	23.10	Vertical	Pass
	1	0	Highest	19.87	1.29	6.70	2.15	23.13	Vertical	Pass
Limit	ERP<7W=38.45dBm									

Radiated Power (ERP) for LTE Band 5 / 3M										
Modulation	RB		Channel	Result						Conclusion
				S G.Level (dBm)	Cable loss	Gain (dBi)	correction factor(dB)	PMeas E.R.P(dBm)	Polarization	
	Size	Offset		Of Max. ERP						
QPSK	1	0	Lowest	18.8	1.27	6.70	2.15	22.08	Horizontal	Pass
	1	0	Middle	18.58	1.28	6.70	2.15	21.85	Horizontal	Pass
	1	0	Highest	18.68	1.29	6.70	2.15	21.94	Horizontal	Pass
	1	0	Lowest	20.26	1.27	6.70	2.15	23.54	Vertical	Pass
	1	0	Middle	20.02	1.28	6.70	2.15	23.29	Vertical	Pass
	1	0	Highest	20.16	1.29	6.70	2.15	23.42	Vertical	Pass
16QAM	1	0	Lowest	18.69	1.27	6.70	2.15	21.97	Horizontal	Pass
	1	0	Middle	18.47	1.28	6.70	2.15	21.74	Horizontal	Pass
	1	0	Highest	18.51	1.29	6.70	2.15	21.77	Horizontal	Pass
	1	0	Lowest	20.03	1.27	6.70	2.15	23.31	Vertical	Pass
	1	0	Middle	19.85	1.28	6.70	2.15	23.12	Vertical	Pass
	1	0	Highest	19.89	1.29	6.70	2.15	23.15	Vertical	Pass
Limit	ERP<7W=38.45dBm									



Radiated Power (ERP) for LTE Band 5 / 5M										
Modulation	RB		Channel	Result						Conclusion
				S G.Level (dBm)	Cable loss	Gain (dBi)	correction factor(dB)	PMeas E.R.P(dBm)	Polarization	
	Size	Offset		Of Max. ERP						
QPSK	1	0	Lowest	18.65	1.27	6.70	2.15	21.93	Horizontal	Pass
	1	0	Middle	18.63	1.28	6.70	2.15	21.90	Horizontal	Pass
	1	0	Highest	18.68	1.29	6.70	2.15	21.94	Horizontal	Pass
	1	0	Lowest	20.04	1.27	6.70	2.15	23.32	Vertical	Pass
	1	0	Middle	19.97	1.28	6.70	2.15	23.24	Vertical	Pass
	1	0	Highest	20.14	1.29	6.70	2.15	23.40	Vertical	Pass
16QAM	1	0	Lowest	18.59	1.27	6.70	2.15	21.87	Horizontal	Pass
	1	0	Middle	18.21	1.28	6.70	2.15	21.48	Horizontal	Pass
	1	0	Highest	18.52	1.29	6.70	2.15	21.78	Horizontal	Pass
	1	0	Lowest	19.94	1.27	6.70	2.15	23.22	Vertical	Pass
	1	0	Middle	19.63	1.28	6.70	2.15	22.90	Vertical	Pass
	1	0	Highest	19.93	1.29	6.70	2.15	23.19	Vertical	Pass
Limit	ERP<7W=38.45dBm									

Radiated Power (ERP) for LTE Band 5 / 10M										
Modulation	RB		Channel	Result						Conclusion
				S G.Level (dBm)	Cable loss	Gain (dBi)	correction factor(dB)	PMeas E.R.P(dBm)	Polarization	
	Size	Offset		Of Max. ERP						
QPSK	1	0	Lowest	18.8	1.27	6.70	2.15	22.08	Horizontal	Pass
	1	0	Middle	18.67	1.28	6.70	2.15	21.94	Horizontal	Pass
	1	0	Highest	18.68	1.29	6.70	2.15	21.94	Horizontal	Pass
	1	0	Lowest	20.21	1.27	6.70	2.15	23.49	Vertical	Pass
	1	0	Middle	20.17	1.28	6.70	2.15	23.44	Vertical	Pass
	1	0	Highest	20.12	1.29	6.70	2.15	23.38	Vertical	Pass
16QAM	1	0	Lowest	18.7	1.27	6.70	2.15	21.98	Horizontal	Pass
	1	0	Middle	18.63	1.28	6.70	2.15	21.90	Horizontal	Pass
	1	0	Highest	18.44	1.29	6.70	2.15	21.70	Horizontal	Pass
	1	0	Lowest	20.07	1.27	6.70	2.15	23.35	Vertical	Pass
	1	0	Middle	19.94	1.28	6.70	2.15	23.21	Vertical	Pass
	1	0	Highest	19.75	1.29	6.70	2.15	23.01	Vertical	Pass
Limit	ERP<7W=38.45dBm									



Radiated Power (ERP) for LTE Band 12 / 1.4M										
Modulation	RB		Channel	Result						Conclusion
				S G.Level (dBm)	Cable loss	Gain (dBi)	correction factor(dB)	PMeas E.R.P(dBm)	Polarization	
	Size	Offset		Of Max. ERP						
QPSK	1	0	Lowest	19.09	1.21	6.40	2.15	22.13	Horizontal	Pass
	1	0	Middle	18.95	1.22	6.40	2.15	21.98	Horizontal	Pass
	1	0	Highest	18.91	1.23	6.40	2.15	21.93	Horizontal	Pass
	1	0	Lowest	20.46	1.21	6.40	2.15	23.50	Vertical	Pass
	1	0	Middle	20.4	1.22	6.40	2.15	23.43	Vertical	Pass
	1	0	Highest	20.35	1.23	6.40	2.15	23.37	Vertical	Pass
16QAM	1	0	Lowest	18.66	1.21	6.40	2.15	21.70	Horizontal	Pass
	1	0	Middle	18.58	1.22	6.40	2.15	21.61	Horizontal	Pass
	1	0	Highest	18.73	1.23	6.40	2.15	21.75	Horizontal	Pass
	1	0	Lowest	20.13	1.21	6.40	2.15	23.17	Vertical	Pass
	1	0	Middle	20.02	1.22	6.40	2.15	23.05	Vertical	Pass
	1	0	Highest	20.19	1.23	6.40	2.15	23.21	Vertical	Pass
Limit	ERP<3W=34.77dBm									

Radiated Power (ERP) for LTE Band 12 / 3M										
Modulation	RB		Channel	Result						Conclusion
				S G.Level (dBm)	Cable loss	Gain (dBi)	correction factor(dB)	PMeas E.R.P(dBm)	Polarization	
	Size	Offset		Of Max. ERP						
QPSK	1	0	Lowest	18.93	1.21	6.40	2.15	21.97	Horizontal	Pass
	1	0	Middle	18.83	1.22	6.40	2.15	21.86	Horizontal	Pass
	1	0	Highest	18.87	1.23	6.40	2.15	21.89	Horizontal	Pass
	1	0	Lowest	20.24	1.21	6.40	2.15	23.28	Vertical	Pass
	1	0	Middle	20.27	1.22	6.40	2.15	23.30	Vertical	Pass
	1	0	Highest	20.35	1.23	6.40	2.15	23.37	Vertical	Pass
16QAM	1	0	Lowest	18.7	1.21	6.40	2.15	21.74	Horizontal	Pass
	1	0	Middle	18.66	1.22	6.40	2.15	21.69	Horizontal	Pass
	1	0	Highest	18.57	1.23	6.40	2.15	21.59	Horizontal	Pass
	1	0	Lowest	20.07	1.21	6.40	2.15	23.11	Vertical	Pass
	1	0	Middle	19.99	1.22	6.40	2.15	23.02	Vertical	Pass
	1	0	Highest	19.95	1.23	6.40	2.15	22.97	Vertical	Pass
Limit	ERP<3W=34.77dBm									



Radiated Power (ERP) for LTE Band 12 / 5M										
Modulation	RB		Channel	Result						Conclusion
	Size	Offset		S G.Level (dBm)	Cable loss	Gain (dBi)	correction factor(dB)	PMeas E.R.P(dBm)	Polarization	
									Of Max. ERP	
QPSK	1	0	Lowest	18.89	1.21	6.40	2.15	21.93	Horizontal	Pass
	1	0	Middle	18.82	1.22	6.40	2.15	21.85	Horizontal	Pass
	1	0	Highest	18.83	1.23	6.40	2.15	21.85	Horizontal	Pass
	1	0	Lowest	20.26	1.21	6.40	2.15	23.30	Vertical	Pass
	1	0	Middle	20.25	1.22	6.40	2.15	23.28	Vertical	Pass
	1	0	Highest	20.22	1.23	6.40	2.15	23.24	Vertical	Pass
16QAM	1	0	Lowest	18.86	1.21	6.40	2.15	21.90	Horizontal	Pass
	1	0	Middle	18.56	1.22	6.40	2.15	21.59	Horizontal	Pass
	1	0	Highest	18.39	1.23	6.40	2.15	21.41	Horizontal	Pass
	1	0	Lowest	20.17	1.21	6.40	2.15	23.21	Vertical	Pass
	1	0	Middle	19.98	1.22	6.40	2.15	23.01	Vertical	Pass
	1	0	Highest	19.89	1.23	6.40	2.15	22.91	Vertical	Pass
Limit	ERP<3W=34.77dBm									

Radiated Power (ERP) for LTE Band 12 / 10M										
Modulation	RB		Channel	Result						Conclusion
	Size	Offset		S G.Level (dBm)	Cable loss	Gain (dBi)	correction factor(dB)	PMeas E.R.P(dBm)	Polarization	
									Of Max. ERP	
QPSK	1	0	Lowest	19.19	1.21	6.40	2.15	22.23	Horizontal	Pass
	1	0	Middle	19.14	1.22	6.40	2.15	22.17	Horizontal	Pass
	1	0	Highest	18.98	1.23	6.40	2.15	22.00	Horizontal	Pass
	1	0	Lowest	20.61	1.21	6.40	2.15	23.65	Vertical	Pass
	1	0	Middle	20.45	1.22	6.40	2.15	23.48	Vertical	Pass
	1	0	Highest	20.42	1.23	6.40	2.15	23.44	Vertical	Pass
16QAM	1	0	Lowest	18.84	1.21	6.40	2.15	21.88	Horizontal	Pass
	1	0	Middle	18.78	1.22	6.40	2.15	21.81	Horizontal	Pass
	1	0	Highest	18.75	1.23	6.40	2.15	21.77	Horizontal	Pass
	1	0	Lowest	20.26	1.21	6.40	2.15	23.30	Vertical	Pass
	1	0	Middle	20.18	1.22	6.40	2.15	23.21	Vertical	Pass
	1	0	Highest	20.21	1.23	6.40	2.15	23.23	Vertical	Pass
Limit	ERP<3W=34.77dBm									



Radiated Power (EIRP) for LTE Band 66 / 1.4M									
Modulation	RB		Channel	Result					Conclusion
	Size	Offset		S G.Level (dBm)	Cable loss	Gain (dBi)	PMeas E.I.R.P.(dBm)	Polarization Of Max. EIRP	
QPSK	1	0	Lowest	14.2	2.35	10.13	21.98	Horizontal	Pass
	1	0	Middle	13.85	2.36	10.16	21.65	Horizontal	Pass
	1	0	Highest	14.06	2.37	10.22	21.91	Horizontal	Pass
	1	0	Lowest	15.55	2.35	10.13	23.33	Vertical	Pass
	1	0	Middle	15.34	2.36	10.16	23.14	Vertical	Pass
	1	0	Highest	15.53	2.37	10.22	23.38	Vertical	Pass
16QAM	1	0	Lowest	13.85	2.35	10.13	21.63	Horizontal	Pass
	1	0	Middle	13.69	2.36	10.16	21.49	Horizontal	Pass
	1	0	Highest	13.72	2.37	10.22	21.57	Horizontal	Pass
	1	0	Lowest	15.32	2.35	10.13	23.10	Vertical	Pass
	1	0	Middle	15.17	2.36	10.16	22.97	Vertical	Pass
	1	0	Highest	15.13	2.37	10.22	22.98	Vertical	Pass
Limit	EIRP<1W=30dBm								

Radiated Power (EIRP) for LTE Band 66 / 3M									
Modulation	RB		Channel	Result					Conclusion
	Size	Offset		S G.Level (dBm)	Cable loss	Gain (dBi)	PMeas E.I.R.P.(dBm)	Polarization Of Max. EIRP	
QPSK	1	0	Lowest	14.13	2.35	10.13	21.91	Horizontal	Pass
	1	0	Middle	13.99	2.36	10.16	21.79	Horizontal	Pass
	1	0	Highest	13.9	2.37	10.22	21.75	Horizontal	Pass
	1	0	Lowest	15.51	2.35	10.13	23.29	Vertical	Pass
	1	0	Middle	15.32	2.36	10.16	23.12	Vertical	Pass
	1	0	Highest	15.32	2.37	10.22	23.17	Vertical	Pass
16QAM	1	0	Lowest	13.92	2.35	10.13	21.70	Horizontal	Pass
	1	0	Middle	13.7	2.36	10.16	21.50	Horizontal	Pass
	1	0	Highest	13.61	2.37	10.22	21.46	Horizontal	Pass
	1	0	Lowest	15.25	2.35	10.13	23.03	Vertical	Pass
	1	0	Middle	15.11	2.36	10.16	22.91	Vertical	Pass
	1	0	Highest	15.04	2.37	10.22	22.89	Vertical	Pass
Limit	EIRP<1W=30dBm								



Radiated Power (EIRP) for LTE Band 66 / 5M									
Modulation	RB		Channel	Result					Conclusion
	Size	Offset		S G.Level (dBm)	Cable loss	Gain (dBi)	PMeas E.I.R.P.(dBm)	Polarization Of Max. EIRP	
QPSK	1	0	Lowest	13.99	2.35	10.13	21.77	Horizontal	Pass
	1	0	Middle	13.95	2.36	10.16	21.75	Horizontal	Pass
	1	0	Highest	13.78	2.37	10.22	21.63	Horizontal	Pass
	1	0	Lowest	15.44	2.35	10.13	23.22	Vertical	Pass
	1	0	Middle	15.31	2.36	10.16	23.11	Vertical	Pass
	1	0	Highest	15.27	2.37	10.22	23.12	Vertical	Pass
16QAM	1	0	Lowest	13.69	2.35	10.13	21.47	Horizontal	Pass
	1	0	Middle	13.56	2.36	10.16	21.36	Horizontal	Pass
	1	0	Highest	13.67	2.37	10.22	21.52	Horizontal	Pass
	1	0	Lowest	15.16	2.35	10.13	22.94	Vertical	Pass
	1	0	Middle	15.06	2.36	10.16	22.86	Vertical	Pass
	1	0	Highest	15.06	2.37	10.22	22.91	Vertical	Pass
Limit	EIRP<1W=30dBm								

Radiated Power (EIRP) for LTE Band 66 / 10M									
Modulation	RB		Channel	Result					Conclusion
	Size	Offset		S G.Level (dBm)	Cable loss	Gain (dBi)	PMeas E.I.R.P.(dBm)	Polarization Of Max. EIRP	
QPSK	1	0	Lowest	14.05	2.35	10.13	21.83	Horizontal	Pass
	1	0	Middle	13.97	2.36	10.16	21.77	Horizontal	Pass
	1	0	Highest	13.87	2.37	10.22	21.72	Horizontal	Pass
	1	0	Lowest	15.41	2.35	10.13	23.19	Vertical	Pass
	1	0	Middle	15.32	2.36	10.16	23.12	Vertical	Pass
	1	0	Highest	15.22	2.37	10.22	23.07	Vertical	Pass
16QAM	1	0	Lowest	13.82	2.35	10.13	21.60	Horizontal	Pass
	1	0	Middle	13.47	2.36	10.16	21.27	Horizontal	Pass
	1	0	Highest	13.55	2.37	10.22	21.40	Horizontal	Pass
	1	0	Lowest	15.15	2.35	10.13	22.93	Vertical	Pass
	1	0	Middle	14.92	2.36	10.16	22.72	Vertical	Pass
	1	0	Highest	14.96	2.37	10.22	22.81	Vertical	Pass
Limit	EIRP<1W=30dBm								



Radiated Power (EIRP) for LTE Band 66 / 15M									
Modulation	RB		Channel	Result					Conclusion
	Size	Offset		S G.Level (dBm)	Cable loss	Gain (dBi)	PMeas E.I.R.P.(dBm)	Polarization Of Max. EIRP	
QPSK	1	0	Lowest	13.97	2.35	10.13	21.75	Horizontal	Pass
	1	0	Middle	13.87	2.36	10.16	21.67	Horizontal	Pass
	1	0	Highest	14.02	2.37	10.22	21.87	Horizontal	Pass
	1	0	Lowest	15.37	2.35	10.13	23.15	Vertical	Pass
	1	0	Middle	15.31	2.36	10.16	23.11	Vertical	Pass
	1	0	Highest	15.36	2.37	10.22	23.21	Vertical	Pass
16QAM	1	0	Lowest	13.87	2.35	10.13	21.65	Horizontal	Pass
	1	0	Middle	13.74	2.36	10.16	21.54	Horizontal	Pass
	1	0	Highest	13.66	2.37	10.22	21.51	Horizontal	Pass
	1	0	Lowest	15.24	2.35	10.13	23.02	Vertical	Pass
	1	0	Middle	15.18	2.36	10.16	22.98	Vertical	Pass
	1	0	Highest	15.02	2.37	10.22	22.87	Vertical	Pass
Limit	EIRP<1W=30dBm								

Radiated Power (EIRP) for LTE Band 66 / 20M									
Modulation	RB		Channel	Result					Conclusion
	Size	Offset		S G.Level (dBm)	Cable loss	Gain (dBi)	PMeas E.I.R.P.(dBm)	Polarization Of Max. EIRP	
QPSK	1	0	Lowest	14.21	2.35	10.13	21.99	Horizontal	Pass
	1	0	Middle	14.04	2.36	10.16	21.84	Horizontal	Pass
	1	0	Highest	14.02	2.37	10.22	21.87	Horizontal	Pass
	1	0	Lowest	15.67	2.35	10.13	23.45	Vertical	Pass
	1	0	Middle	15.45	2.36	10.16	23.25	Vertical	Pass
	1	0	Highest	15.45	2.37	10.22	23.30	Vertical	Pass
16QAM	1	0	Lowest	13.91	2.35	10.13	21.69	Horizontal	Pass
	1	0	Middle	13.74	2.36	10.16	21.54	Horizontal	Pass
	1	0	Highest	13.7	2.37	10.22	21.55	Horizontal	Pass
	1	0	Lowest	15.33	2.35	10.13	23.11	Vertical	Pass
	1	0	Middle	15.1	2.36	10.16	22.90	Vertical	Pass
	1	0	Highest	15.17	2.37	10.22	23.02	Vertical	Pass
Limit	EIRP<1W=30dBm								



Radiated Power (ERP) for LTE Band 71 / 5M										
Modulation	RB		Channel	Result						Conclusion
				S G.Level (dBm)	Cable loss	Gain (dBi)	correction factor(dB)	PMeas E.R.P(dBm)	Polarization	
	Size	Offset		Of Max. ERP						
QPSK	1	0	Lowest	17.79	1.21	6.40	2.15	20.83	Horizontal	Pass
	1	0	Middle	17.72	1.22	6.40	2.15	20.75	Horizontal	Pass
	1	0	Highest	17.76	1.23	6.40	2.15	20.78	Horizontal	Pass
	1	0	Lowest	19.13	1.21	6.40	2.15	22.17	Vertical	Pass
	1	0	Middle	19.07	1.22	6.40	2.15	22.10	Vertical	Pass
	1	0	Highest	19.11	1.23	6.40	2.15	22.13	Vertical	Pass
16QAM	1	0	Lowest	17.46	1.21	6.40	2.15	20.50	Horizontal	Pass
	1	0	Middle	17.54	1.22	6.40	2.15	20.57	Horizontal	Pass
	1	0	Highest	17.33	1.23	6.40	2.15	20.35	Horizontal	Pass
	1	0	Lowest	18.89	1.21	6.40	2.15	21.93	Vertical	Pass
	1	0	Middle	18.86	1.22	6.40	2.15	21.89	Vertical	Pass
	1	0	Highest	18.78	1.23	6.40	2.15	21.80	Vertical	Pass
Limit	ERP<3W=34.77dBm									

Radiated Power (ERP) for LTE Band 71 / 10M										
Modulation	RB		Channel	Result						Conclusion
				S G.Level (dBm)	Cable loss	Gain (dBi)	correction factor(dB)	PMeas E.R.P(dBm)	Polarization	
	Size	Offset		Of Max. ERP						
QPSK	1	0	Lowest	17.67	1.21	6.40	2.15	20.71	Horizontal	Pass
	1	0	Middle	17.4	1.22	6.40	2.15	20.43	Horizontal	Pass
	1	0	Highest	17.6	1.23	6.40	2.15	20.62	Horizontal	Pass
	1	0	Lowest	19.03	1.21	6.40	2.15	22.07	Vertical	Pass
	1	0	Middle	18.88	1.22	6.40	2.15	21.91	Vertical	Pass
	1	0	Highest	19	1.23	6.40	2.15	22.02	Vertical	Pass
16QAM	1	0	Lowest	17.28	1.21	6.40	2.15	20.32	Horizontal	Pass
	1	0	Middle	17.4	1.22	6.40	2.15	20.43	Horizontal	Pass
	1	0	Highest	17.38	1.23	6.40	2.15	20.40	Horizontal	Pass
	1	0	Lowest	18.69	1.21	6.40	2.15	21.73	Vertical	Pass
	1	0	Middle	18.8	1.22	6.40	2.15	21.83	Vertical	Pass
	1	0	Highest	18.76	1.23	6.40	2.15	21.78	Vertical	Pass
Limit	ERP<3W=34.77dBm									





Radiated Power (ERP) for LTE Band 71 / 15M										
Modulation	RB		Channel	Result						Conclusion
				S G.Level (dBm)	Cable loss	Gain (dBi)	correction factor(dB)	PMeas E.R.P(dBm)	Polarization	
	Size	Offset		Of Max. ERP						
QPSK	1	0	Lowest	17.7	1.21	6.40	2.15	20.74	Horizontal	Pass
	1	0	Middle	17.4	1.22	6.40	2.15	20.43	Horizontal	Pass
	1	0	Highest	17.71	1.23	6.40	2.15	20.73	Horizontal	Pass
	1	0	Lowest	19.03	1.21	6.40	2.15	22.07	Vertical	Pass
	1	0	Middle	18.86	1.22	6.40	2.15	21.89	Vertical	Pass
	1	0	Highest	19.02	1.23	6.40	2.15	22.04	Vertical	Pass
16QAM	1	0	Lowest	17.37	1.21	6.40	2.15	20.41	Horizontal	Pass
	1	0	Middle	17.35	1.22	6.40	2.15	20.38	Horizontal	Pass
	1	0	Highest	17.27	1.23	6.40	2.15	20.29	Horizontal	Pass
	1	0	Lowest	18.87	1.21	6.40	2.15	21.91	Vertical	Pass
	1	0	Middle	18.67	1.22	6.40	2.15	21.70	Vertical	Pass
	1	0	Highest	18.68	1.23	6.40	2.15	21.70	Vertical	Pass
Limit	ERP<3W=34.77dBm									

Radiated Power (ERP) for LTE Band 71 / 20M										
Modulation	RB		Channel	Result						Conclusion
				S G.Level (dBm)	Cable loss	Gain (dBi)	correction factor(dB)	PMeas E.R.P(dBm)	Polarization	
	Size	Offset		Of Max. ERP						
QPSK	1	0	Lowest	17.8	1.21	6.40	2.15	20.84	Horizontal	Pass
	1	0	Middle	17.61	1.22	6.40	2.15	20.64	Horizontal	Pass
	1	0	Highest	17.71	1.23	6.40	2.15	20.73	Horizontal	Pass
	1	0	Lowest	19.13	1.21	6.40	2.15	22.17	Vertical	Pass
	1	0	Middle	19.04	1.22	6.40	2.15	22.07	Vertical	Pass
	1	0	Highest	19.18	1.23	6.40	2.15	22.20	Vertical	Pass
16QAM	1	0	Lowest	17.46	1.21	6.40	2.15	20.50	Horizontal	Pass
	1	0	Middle	17.41	1.22	6.40	2.15	20.44	Horizontal	Pass
	1	0	Highest	17.48	1.23	6.40	2.15	20.50	Horizontal	Pass
	1	0	Lowest	18.86	1.21	6.40	2.15	21.90	Vertical	Pass
	1	0	Middle	18.88	1.22	6.40	2.15	21.91	Vertical	Pass
	1	0	Highest	18.81	1.23	6.40	2.15	21.83	Vertical	Pass
Limit	ERP<3W=34.77dBm									

## 6. OCCUPIED BANDWIDTH

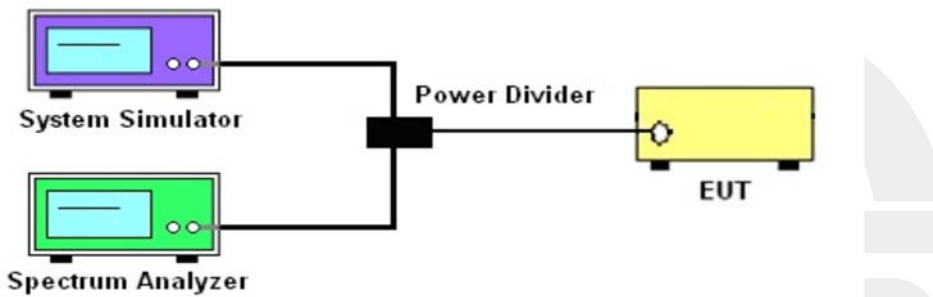
### 6.1 DESCRIPTION OF OCCUPIED BANDWIDTH MEASUREMENT

#### 6.1.1 MEASUREMENT METHOD

1.The occupied bandwidth is the width of a frequency band such that, below the lower and above the upper frequency limits, the mean powers emitted are each equal to a specified percentage 0.5% of the total mean transmitted power.

2.The 26 db emission bandwidth is defined as the frequency range between two points, one above and one below the carrier frequency, at which the spectral density of the emission is attenuated 26 db below the maximum in-band spectral density of the modulated signal. spectral density (power per unit bandwidth) is to be measured with a detector of resolution bandwidth equal to approximately 1.0% of the emission bandwidth.

#### 6.1.2 TEST SETUP



#### 6.1.3 TEST PROCEDURES

1. The testing follows FCC KDB 971168 D01 v03r01 Section 4.2 and 4.3.
2. The EUT was connected to spectrum and system simulator via a power divider.
3. Select lowest, middle, and highest channels for each band and different modulation.
4. Set the test probe and measure the Occupied Bandwidth of the spectrum analyzer.
5. Measure and record the Occupied Bandwidth from the Spectrum Analyzer.

	LTE					
LTE BW	1.4M	3M	5M	10M	15M	20M
Span	3MHz	6MHz	10MHz	20MHz	30MHz	40MHz
RBW	30kHz	30kHz	100kHz	100kHz	300kHz	300kHz
VBW	100kHz	100kHz	300kHz	300kHz	1000kHz	1000kHz
Detector	PK	PK	PK	PK	PK	PK
Trace	Max	Max	Max	Max	Max	Max
Sweep Count	Auto	Auto	Auto	Auto	Auto	Auto



6.1.4 MEASUREMENT RESULT

LTE Band 2 Bandwidth [MHz]							
BW [MHz]	Mode	Lowest		Middle		Highest	
		99% BW	26dB BW	99% BW	26dB BW	99% BW	26dB BW
1.4	QPSK	1.1	1.44	1.1048	1.337	1.336	2.041
1.4	16-QAM	1.094	1.317	1.1	1.385	1.247	1.971
3	QPSK	2.675	2.858	2.679	2.878	2.6932	3.496
3	16-QAM	2.6751	2.857	2.677	2.869	2.6835	3.25
5	QPSK	4.517	5.207	4.508	5.177	4.556	6.392
5	16-QAM	4.512	5.149	4.526	5.152	4.567	6.04
10	QPSK	8.931	9.803	8.953	9.921	8.946	10.59
10	16-QAM	8.947	9.85	8.942	9.799	8.956	10.06
15	QPSK	13.487	15.09	13.508	15.27	13.483	15.23
15	16-QAM	13.506	15.01	13.496	15	13.531	16.43
20	QPSK	17.947	19.8	17.931	19.4	17.918	19.51
20	16-QAM	17.935	19.45	17.911	19.59	17.957	19.52

LTE Band 4 Bandwidth [MHz]							
BW [MHz]	Mode	Lowest		Middle		Highest	
		99% BW	26dB BW	99% BW	26dB BW	99% BW	26dB BW
1.4	QPSK	1.1009	1.289	1.092	1.282	1.098	1.309
1.4	16-QAM	1.091	1.275	1.094	1.287	1.102	1.319
3	QPSK	2.678	2.862	2.676	2.852	2.682	2.872
3	16-QAM	2.6778	2.847	2.672	2.857	2.674	2.853
5	QPSK	4.482	4.907	4.5343	5.181	4.517	5.189
5	16-QAM	4.529	5.19	4.5366	5.209	4.511	5.152
10	QPSK	8.94	9.657	8.936	9.792	8.943	9.838
10	16-QAM	8.94	9.814	8.952	9.81	8.939	9.771
15	QPSK	13.426	14.87	13.518	15.08	13.495	14.94
15	16-QAM	13.469	14.9	13.516	14.98	13.471	14.87
20	QPSK	17.892	19.45	17.965	19.42	17.878	19.4
20	16-QAM	17.896	19.54	17.969	19.61	17.955	19.51

LTE Band 5 Bandwidth [MHz]							
BW [MHz]	Mode	Lowest		Middle		Highest	
		99% BW	26dB BW	99% BW	26dB BW	99% BW	26dB BW
1.4	QPSK	1.104	1.307	1.094	1.284	1.0949	1.3
1.4	16-QAM	1.091	1.275	1.0929	1.286	1.098	1.304
3	QPSK	2.681	2.877	2.674	2.852	2.683	2.865
3	16-QAM	2.6776	2.853	2.673	2.846	2.675	2.873
5	QPSK	4.536	6.34	4.513	5.172	4.5301	5.207
5	16-QAM	4.553	5.323	4.519	5.186	4.562	5.208
10	QPSK	8.99	12.95	8.96	9.978	8.916	9.639
10	16-QAM	8.983	12.05	8.948	9.632	8.938	9.65



LTE Band 12 Bandwidth [MHz]							
BW [MHz]	Mode	Lowest		Middle		Highest	
		99% BW	26dB BW	99% BW	26dB BW	99% BW	26dB BW
1.4	QPSK	1.095	1.304	1.1067	1.319	1.1128	1.689
1.4	16-QAM	1.0965	1.305	1.096	1.47	1.104	1.586
3	QPSK	2.676	2.858	2.67	2.857	2.686	3.114
3	16-QAM	2.6755	2.859	2.672	2.969	2.678	2.872
5	QPSK	4.533	5.206	4.502	5.129	4.534	5.293
5	16-QAM	4.555	5.228	4.499	5.138	4.571	5.263
10	QPSK	8.985	10.1	8.906	9.818	8.951	10.21
10	16-QAM	8.979	9.828	8.894	9.643	8.956	9.746
LTE Band 66 Bandwidth [MHz]							
BW [MHz]	Mode	Lowest		Middle		Highest	
		99% BW	26dB BW	99% BW	26dB BW	99% BW	26dB BW
1.4	QPSK	1.1025	1.282	1.092	1.278	1.0964	1.306
1.4	16-QAM	1.099	1.303	1.0891	1.278	1.0951	1.282
3	QPSK	2.6776	2.844	2.6711	2.85	2.682	2.859
3	16-QAM	2.677	2.857	2.673	2.855	2.673	2.866
5	QPSK	4.511	5.103	4.532	5.134	4.519	5.154
5	16-QAM	4.525	5.162	4.528	5.227	4.516	5.16
10	QPSK	8.931	9.64	8.943	9.864	8.94	9.782
10	16-QAM	8.938	9.876	8.943	9.839	8.949	9.695
15	QPSK	13.469	14.89	13.502	14.94	13.474	14.95
15	16-QAM	13.466	14.87	13.494	14.95	13.526	15
20	QPSK	17.848	19.36	17.916	19.63	17.974	19.42
20	16-QAM	17.908	19.47	17.911	19.62	17.981	19.7
LTE Band 71 Bandwidth [MHz]							
BW [MHz]	Mode	Lowest		Middle		Highest	
		99% BW	26dB BW	99% BW	26dB BW	99% BW	26dB BW
5	QPSK	4.527	5.158	4.515	5.187	4.5423	5.179
5	16-QAM	4.524	5.193	4.532	5.175	4.548	5.293
10	QPSK	8.932	9.885	8.941	9.781	8.965	9.897
10	16-QAM	8.928	9.77	8.955	9.708	8.9657	9.785
15	QPSK	13.429	14.95	13.537	15.06	13.451	14.94
15	16-QAM	13.452	14.85	13.534	14.94	13.5	14.87
20	QPSK	17.917	19.36	17.944	19.42	17.908	19.58
20	16-QAM	17.909	19.61	17.995	19.5	14.885	19.5

Note: Test chart See Appendix A



## 7. CONDUCTED BAND EDGE

### 7.1 DESCRIPTION OF CONDUCTED BAND EDGE MEASUREMENT

#### 7.1.1 MEASUREMENT METHOD

##### 1. §22.917(a)

For operations in the 824 – 849 MHz band, the FCC limit is  $43 + 10\log_{10}(P[\text{Watts}])$  dB below the transmitter power  $P(\text{Watts})$  in a 100kHz bandwidth. However, in the 1MHz bands immediately outside and adjacent to the licensee's frequency block, a resolution bandwidth of at least one percent of the emission bandwidth of the fundamental emission of the transmitter may be employed.

##### 2. §24.238 (a)

For operations in the 1850-1910 and 1930-1990 MHz band, the FCC limit is  $43 + 10\log_{10}(P[\text{Watts}])$  dB below the transmitter power  $P(\text{Watts})$  in a 1MHz bandwidth. However, in the 1 MHz bands immediately outside and adjacent to the frequency block a resolution bandwidth of at least one percent of the emission bandwidth of the fundamental emission of the transmitter may be employed

##### 3. §27.53 (h)

For operations in the 1710 – 1755 MHz band, the FCC limit is  $43 + 10\log_{10}(P[\text{Watts}])$  dB below the transmitter power  $P(\text{Watts})$  in a 1 MHz bandwidth. However, in the 1MHz bands immediately outside and adjacent to the licensee's frequency block, a resolution bandwidth of at least one percent of the emission bandwidth of the fundamental emission of the transmitter may be employed.

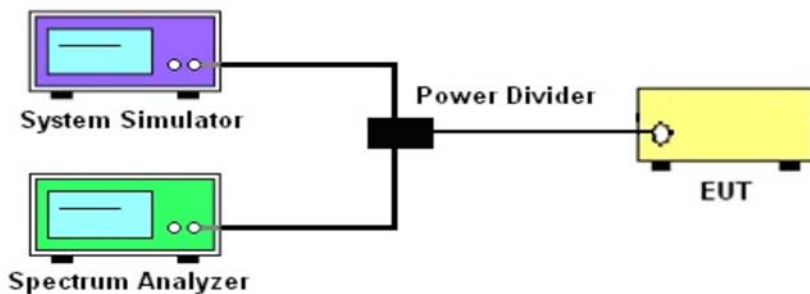
##### 4. §27.53(m)(4)

For operations in the 2500 MHz ~ 2570 MHz band this section, the attenuation factor shall be not less than  $40 + 10 \log (P)$  dB on all frequencies between the channel edge and 5 megahertz from the channel edge,  $43 + 10 \log (P)$  dB on all frequencies between 5 megahertz and X megahertz from the channel edge, and  $55 + 10 \log (P)$  dB on all frequencies more than X megahertz from the channel edge, where X is the greater of 6 megahertz or the actual emission bandwidth as defined in paragraph (m)(6) of this section. In addition, the attenuation factor shall not be less that  $43 + 10 \log (P)$  dB on all frequencies between 2490.5 MHz and 2496 MHz and  $55 + 10 \log (P)$  dB at or below 2490.5 MHz. Mobile Satellite Service licensees operating on frequencies below 2495 MHz may also submit a documented interference complaint against BRS licensees operating on channel BRS Channel 1 on the same terms and conditions as adjacent channel BRS or EBS licensees.

##### 5. §27.53 (g)

For operations in the 698 -746 MHz band, the FCC limit is  $43 + 10\log_{10}(P[\text{Watts}])$  dB below the transmitter power  $P(\text{Watts})$  in a 100 kHz bandwidth. However, in the 100 kilohertz bands immediately outside and adjacent to a licensee's frequency block, a resolution bandwidth of at least 30 kHz may be employed.

### 7.1.2 TEST SETUP



### 7.1.3 TEST PROCEDURES

1. The testing FCC KDB 971168 D01 v03r01 Section 6.0 and ANSI C63.26 2015 Section 5.7.
2. The EUT was connected to spectrum analyzer and system simulator via a power divider.
3. The band edges of low and high channels for the highest RF powers were measured. Set RBW  $\geq 1\%$  EBW in the 1MHz band immediately outside and adjacent to the band edge.
4. Set spectrum analyzer with RMS/AVG detector.
5. The RF fundamental frequency should be excluded against the limit line in the operating frequency band.
6. The limit line is derived from  $43 + 10\log(P)$  dB below the transmitter power P(Watts)
 
$$= P(W) - [43 + 10\log(P)] \text{ (dB)}$$

$$= [30 + 10\log(P)] \text{ (dBm)} - [43 + 10\log(P)] \text{ (dB)}$$

$$= -13\text{dBm}.$$

Band 7:

$$= P(W) - [55 + 10\log(P)] \text{ (dB)}$$

$$= [30 + 10\log(P)] \text{ (dBm)} - [55 + 10\log(P)] \text{ (dB)}$$

$$= -25\text{dBm}.$$

	LTE					
LTE BW	1.4M	3M	5M	10M	15M	20M
Span	12MHz	13MHz	15MHz	20MHz	25MHz	30MHz
RBW	30kHz	30kHz	100kHz	100kHz	300kHz	300kHz
VBW	100kHz	100kHz	300kHz	300kHz	1000kHz	1000kHz
Detector	RMS	RMS	RMS	RMS	RMS	RMS
Trace	Max	Max	Max	Max	Max	Max
Sweep Count	Auto	Auto	Auto	Auto	Auto	Auto

### 7.1.4 MEASUREMENT RESULT

Note: Test chart See Appendix B

## 8. CONDUCTED SPURIOUS EMISSION

### 8.1 DESCRIPTION OF CONDUCTED SPURIOUS EMISSION MEASUREMENT

#### 8.1.1 MEASUREMENT METHOD

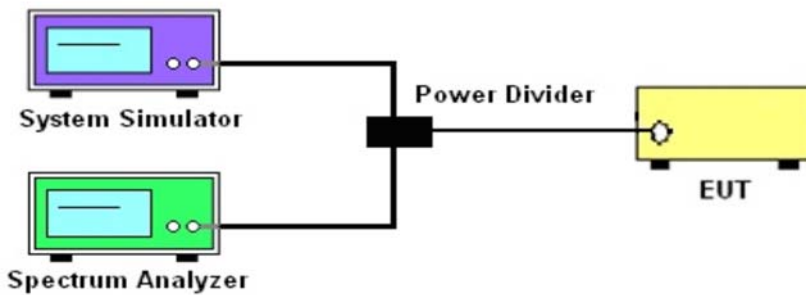
The power of any emission outside of the authorized operating frequency ranges must be lower than the transmitter power (P) by a factor of at least  $43 + 10 \log (P)$  dB.

For Band 7:

The power of any emission outside of the authorized operating frequency ranges must be lower than the transmitter power (P) by a factor of at least  $55 + 10 \log (P)$  dB.

It is measured by means of a calibrated spectrum analyzer and scanned from 30 MHz up to a frequency including its 10th harmonic.

#### 8.1.2 TEST SETUP



#### 8.1.3 TEST PROCEDURES

1. The testing FCC KDB 971168 D01 v03r01 Section 6.0 and ANSI C63.26 2015 Section 5.7.
2. The EUT was connected to spectrum analyzer and system simulator via a power divider.
3. The RF output of EUT was connected to the spectrum analyzer by RF cable and attenuator. The path loss was compensated to the results for each measurement
4. Make the measurement with the spectrum analyzer's RBW = 1MHz, VBW = 3MHz, taking the record of maximum spurious emission.
5. The RF fundamental frequency should be excluded against the limit line in the operating frequency band.
6. The limit line is derived from  $43 + 10\log(P)$ dB below the transmitter power P(Watts)  
 $= P(W) - [43 + 10\log(P)] \text{ (dB)} = [30 + 10\log(P)] \text{ (dBm)} - [43 + 10\log(P)] \text{ (dB)}$   
 $= -13\text{dBm}$ .

For Band 7:  $P(W) - [43 + 10\log(P)] \text{ (dB)} = -25\text{dBm}$

	LTE					
LTE BW	1.4M	3M	5M	10M	15M	20M
Span	Auto	Auto	Auto	Auto	Auto	Auto
RBW	1000kHz	1000kHz	1000kHz	1000kHz	1000kHz	1000kHz
VBW	3000kHz	3000kHz	3000kHz	3000kHz	3000kHz	3000kHz
Detector	PK	PK	PK	PK	PK	PK
Trace	Max	Max	Max	Max	Max	Max

#### 8.1.4 TEST RESULTS

Note: Test chart See Appendix C

## 9. RADIATED SPURIOUS EMISSION

### 9.1 DESCRIPTION OF RADIATED SPURIOUS EMISSION

#### 9.1.1 MEASUREMENT METHOD

The radiated spurious emission was measured by substitution method according to ANSI C63.26 2015. The power of any emission outside of the authorized operating frequency ranges must be attenuated below the transmitter power (P) by a factor of at least  $43 + 10 \log (P)$  dB.

For Band 7 The power of any emission outside of the authorized operating frequency ranges must be attenuated below the transmitter power (P) by a factor of at least  $55 + 10 \log (P)$  dB. The spectrum is scanned from 30 MHz up to a frequency including its 10th harmonic.

#### 9.1.2 TEST SETUP

The procedure of radiated spurious emissions is as follows:

a) Pre-calibration With pre-calibration method, the Radiated Spurious Emissions(RSE) is calculated as,  $RSE = Rx (dBuV) + CL (dB) + SA (dB) + Gain (dBi) - 107 (dBuV \text{ to } dBm)$  The SA is calibrated using following setup.

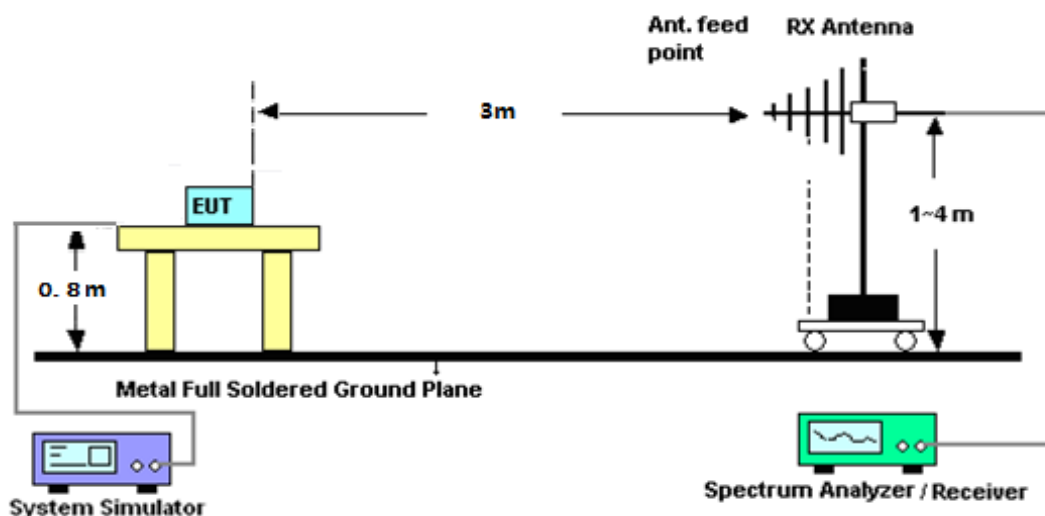
b) EUT was placed on 1.5 m non-conductive stand at a 3 m test distance from the receive antenna. A receiving antenna was placed on the antenna mast 3 m from the test item for emission measurements. The height of receiving antenna is 0.8m. The test setup refers to figure below. Detected emissions were maximized at each frequency by rotating the test item and adjusting the receiving antenna polarization. The radiated emission measurements of all non-harmonic and harmonics of the transmit frequency through the 10th harmonic measured with peak detector and 1MHz bandwidth.

Radiated emissions measurements were made only at the upper, middle, and lower carrier frequencies It was decided that measurements at these three carrier frequencies would be sufficient to demonstrate compliance with emissions limits because it was seen that all the significant spurs occur well outside the band and no radiation was seen from a carrier in one block of any band into any of the other blocks.

The substitution method is used. Substitution values at each frequency are measured before and saved to the test software. A "reference path loss" is established and the ARpl is the attenuation of "reference path loss", and including the gain of receive antenna, the gain of the preamplifier, the cable loss and the air loss. The measurement results are obtained as described below:

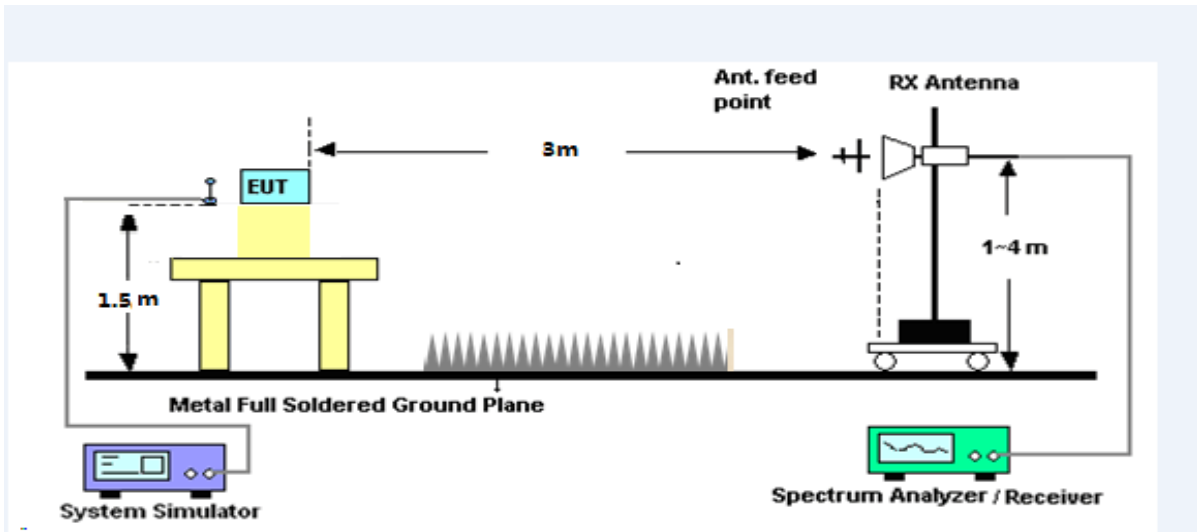
$$\text{Power} = \text{PMea} + \text{ARpl}$$

For radiated test from 30MHz to 1GHz





For radiated test from above 1GHz



### 9.1.3 TEST PROCEDURES

1. The testing FCC KDB 971168 D01 Section 7 and ANSI C63.26 2015 Section 5.5.
2. The EUT was placed on a rotatable wooden table with 1.5 meter above ground.
3. The EUT was set 3 meters from the receiving antenna, which was mounted on the antenna tower.
4. The table was rotated 360 degrees to determine the position of the highest spurious emission.
5. The height of the receiving antenna is varied between one meter and four meters to search the maximum spurious emission for both horizontal and vertical polarizations
6. Make the measurement with the spectrum analyzer's RBW = 1MHz, VBW = 3MHz, taking the record of maximum spurious emission.
7. A horn antenna was substituted in place of the EUT and was driven by a signal generator.
8. Tune the output power of signal generator to the same emission level with EUT maximum spurious emission.
9. Taking the record of output power at antenna port.
10. Repeat step 7 to step 8 for another polarization.
11. The RF fundamental frequency should be excluded against the limit line in the operating frequency band.

The limit line is derived from  $43 + 10\log(P)$ dB below the transmitter power P(Watts)  
 $= P(W) - [43 + 10\log(P)]$  (dB)  
 $= [30 + 10\log(P)]$  (dBm) -  $[43 + 10\log(P)]$  (dB)  
 $= -13$ dBm

For Band 7:

The limit line is derived from  $55 + 10\log(P)$ dB below the transmitter power P(Watts)  
 $= [30 + 10\log(P)]$  (dBm) -  $[55 + 10\log(P)]$  (dB)  
 $= -25$ dBm

$P_{Mea} = S.G \text{ Level} + \text{Ant-Cable loss}$ ;  $\text{Margin} = P_{Mea} - \text{Limit}$ .



9.1.4 TEST RESULTS

Note: Besides the below table, other emissions are attenuated 20dB below the limit. So it does not recorded in the report.

LTE Band 2 / 1.4MHz / QPSK / RB Size 1 Offset 0/ The Worst Test Results for Lowest							
Frequency(MHz)	S G.Lev (dBm)	Ant(dBi)	Loss	PMea	Limit	Margin	Polarity
				(dBm)	(dBm)	(dBm)	
3703.95	-33.71	12.60	12.93	-34.04	-13.00	-21.04	H
5557.00	-34.57	13.10	17.11	-38.58	-13.00	-25.58	H
7409.66	-32.92	11.50	22.20	-43.62	-13.00	-30.62	H
3703.95	-34.91	12.60	12.93	-35.24	-13.00	-22.24	V
5557.00	-35.24	13.10	17.11	-39.25	-13.00	-26.25	V
7409.66	-32.06	11.50	22.20	-42.76	-13.00	-29.76	V
LTE Band 2 / 1.4MHz / QPSK / RB Size 1 Offset 0/ The Worst Test Results for Middle							
Frequency(MHz)	S G.Lev (dBm)	Ant(dBi)	Loss	PMea	Limit	Margin	Polarity
				(dBm)	(dBm)	(dBm)	
3759.57	-34.72	12.60	12.93	-35.05	-13.00	-22.05	H
5639.87	-34.40	13.10	17.11	-38.41	-13.00	-25.41	H
7520.18	-33.63	11.50	22.20	-44.33	-13.00	-31.33	H
3759.57	-35.08	12.60	12.93	-35.41	-13.00	-22.41	V
5639.87	-35.19	13.10	17.11	-39.20	-13.00	-26.20	V
7520.18	-32.93	11.50	22.20	-43.63	-13.00	-30.63	V
LTE Band 2 / 1.4MHz / QPSK / RB Size 1 Offset 0/ The Worst Test Results for Highest							
Frequency(MHz)	S G.Lev (dBm)	Ant(dBi)	Loss	PMea	Limit	Margin	Polarity
				(dBm)	(dBm)	(dBm)	
3818.17	-34.75	12.60	12.93	-35.08	-13.00	-22.08	H
5727.34	-34.13	13.10	17.11	-38.14	-13.00	-25.14	H
7636.77	-33.58	11.50	22.20	-44.28	-13.00	-31.28	H
3818.17	-34.84	12.60	12.93	-35.17	-13.00	-22.17	V
5727.34	-34.80	13.10	17.11	-38.81	-13.00	-25.81	V
7636.77	-31.79	11.50	22.20	-42.49	-13.00	-29.49	V



LTE Band 2 / 3MHz / QPSK / RB Size 1 Offset 0/ The Worst Test Results for Lowest							
Frequency(MHz)	S G.Lev (dBm)	Ant(dBi)	Loss	PMea	Limit	Margin	Polarity
				(dBm)	(dBm)	(dBm)	
3703.93	-34.60	12.60	12.93	-34.93	-13.00	-21.93	H
5557.02	-34.32	13.10	17.11	-38.33	-13.00	-25.33	H
7409.80	-32.18	11.50	22.20	-42.88	-13.00	-29.88	H
3703.93	-34.89	12.60	12.93	-35.22	-13.00	-22.22	V
5557.02	-34.17	13.10	17.11	-38.18	-13.00	-25.18	V
7409.80	-33.08	11.50	22.20	-43.78	-13.00	-30.78	V
LTE Band 2 / 3MHz / QPSK / RB Size 1 Offset 0/ The Worst Test Results for Middle							
Frequency(MHz)	S G.Lev (dBm)	Ant(dBi)	Loss	PMea	Limit	Margin	Polarity
				(dBm)	(dBm)	(dBm)	
3759.60	-34.84	12.60	12.93	-35.17	-13.00	-22.17	H
5639.83	-34.02	13.10	17.11	-38.03	-13.00	-25.03	H
7520.05	-32.95	11.50	22.20	-43.65	-13.00	-30.65	H
3759.60	-36.01	12.60	12.93	-36.34	-13.00	-23.34	V
5639.83	-34.59	13.10	17.11	-38.60	-13.00	-25.60	V
7520.05	-31.87	11.50	22.20	-42.57	-13.00	-29.57	V
LTE Band 2 / 3MHz / QPSK / RB Size 1 Offset 0/ The Worst Test Results for Highest							
Frequency(MHz)	S G.Lev (dBm)	Ant(dBi)	Loss	PMea	Limit	Margin	Polarity
				(dBm)	(dBm)	(dBm)	
3818.24	-34.51	12.60	12.93	-34.84	-13.00	-21.84	H
5727.47	-35.36	13.10	17.11	-39.37	-13.00	-26.37	H
7636.52	-33.50	11.50	22.20	-44.20	-13.00	-31.20	H
3818.24	-35.43	12.60	12.93	-35.76	-13.00	-22.76	V
5727.47	-34.15	13.10	17.11	-38.16	-13.00	-25.16	V
7636.52	-32.40	11.50	22.20	-43.10	-13.00	-30.10	V



LTE Band 2 / 5MHz / QPSK / RB Size 1 Offset 0/ The Worst Test Results for Lowest							
Frequency(MHz)	S G.Lev (dBm)	Ant(dBi)	Loss	PMea	Limit	Margin	Polarity
				(dBm)	(dBm)	(dBm)	
3704.99	-34.08	12.60	12.93	-34.41	-13.00	-21.41	H
5557.59	-35.15	13.10	17.11	-39.16	-13.00	-26.16	H
7410.29	-32.48	11.50	22.20	-43.18	-13.00	-30.18	H
3704.99	-35.49	12.60	12.93	-35.82	-13.00	-22.82	V
5557.59	-35.01	13.10	17.11	-39.02	-13.00	-26.02	V
7410.29	-33.12	11.50	22.20	-43.82	-13.00	-30.82	V
LTE Band 2 / 5MHz / QPSK / RB Size 1 Offset 0/ The Worst Test Results for Middle							
Frequency(MHz)	S G.Lev (dBm)	Ant(dBi)	Loss	PMea	Limit	Margin	Polarity
				(dBm)	(dBm)	(dBm)	
3759.67	-34.38	12.60	12.93	-34.71	-13.00	-21.71	H
5639.69	-34.34	13.10	17.11	-38.35	-13.00	-25.35	H
7520.10	-32.24	11.50	22.20	-42.94	-13.00	-29.94	H
3759.67	-34.52	12.60	12.93	-34.85	-13.00	-21.85	V
5639.69	-34.42	13.10	17.11	-38.43	-13.00	-25.43	V
7520.10	-31.87	11.50	22.20	-42.57	-13.00	-29.57	V
LTE Band 2 / 5MHz / QPSK / RB Size 1 Offset 0/ The Worst Test Results for Highest							
Frequency(MHz)	S G.Lev (dBm)	Ant(dBi)	Loss	PMea	Limit	Margin	Polarity
				(dBm)	(dBm)	(dBm)	
3813.63	-34.50	12.60	12.93	-34.83	-13.00	-21.83	H
5721.32	-34.63	13.10	17.11	-38.64	-13.00	-25.64	H
7628.41	-32.75	11.50	22.20	-43.45	-13.00	-30.45	H
3813.63	-35.88	12.60	12.93	-36.21	-13.00	-23.21	V
5721.32	-34.10	13.10	17.11	-38.11	-13.00	-25.11	V
7628.41	-31.86	11.50	22.20	-42.56	-13.00	-29.56	V



LTE Band 2 / 10MHz / QPSK / RB Size 1 Offset 0/ The Worst Test Results for Lowest							
Frequency(MHz)	S G.Lev (dBm)	Ant(dBi)	Loss	PMea	Limit	Margin	Polarity
				(dBm)	(dBm)	(dBm)	
3710.32	-34.38	12.60	12.93	-34.71	-13.00	-21.71	H
5565.47	-33.99	13.10	17.11	-38.00	-13.00	-25.00	H
7420.80	-32.54	11.50	22.20	-43.24	-13.00	-30.24	H
3710.32	-35.03	12.60	12.93	-35.36	-13.00	-22.36	V
5565.47	-34.13	13.10	17.11	-38.14	-13.00	-25.14	V
7420.80	-32.96	11.50	22.20	-43.66	-13.00	-30.66	V
LTE Band 2 / 10MHz / QPSK / RB Size 1 Offset 0/ The Worst Test Results for Middle							
Frequency(MHz)	S G.Lev (dBm)	Ant(dBi)	Loss	PMea	Limit	Margin	Polarity
				(dBm)	(dBm)	(dBm)	
3759.50	-34.79	12.60	12.93	-35.12	-13.00	-22.12	H
5639.84	-34.59	13.10	17.11	-38.60	-13.00	-25.60	H
7520.13	-32.24	11.50	22.20	-42.94	-13.00	-29.94	H
3759.50	-34.83	12.60	12.93	-35.16	-13.00	-22.16	V
5639.84	-35.19	13.10	17.11	-39.20	-13.00	-26.20	V
7520.13	-32.27	11.50	22.20	-42.97	-13.00	-29.97	V
LTE Band 2 / 10MHz / QPSK / RB Size 1 Offset 0/ The Worst Test Results for Highest							
Frequency(MHz)	S G.Lev (dBm)	Ant(dBi)	Loss	PMea	Limit	Margin	Polarity
				(dBm)	(dBm)	(dBm)	
3808.76	-33.73	12.60	12.93	-34.06	-13.00	-21.06	H
5713.52	-34.99	13.10	17.11	-39.00	-13.00	-26.00	H
7617.99	-33.45	11.50	22.20	-44.15	-13.00	-31.15	H
3808.76	-35.91	12.60	12.93	-36.24	-13.00	-23.24	V
5713.52	-34.34	13.10	17.11	-38.35	-13.00	-25.35	V
7617.99	-32.28	11.50	22.20	-42.98	-13.00	-29.98	V



LTE Band 2 / 15MHz / QPSK / RB Size 1 Offset 0/ The Worst Test Results for Lowest							
Frequency(MHz)	S G.Lev (dBm)	Ant(dBi)	Loss	PMea	Limit	Margin	Polarity
				(dBm)	(dBm)	(dBm)	
3715.60	-34.78	12.60	12.93	-35.11	-13.00	-22.11	H
5574.21	-34.79	13.10	17.11	-38.80	-13.00	-25.80	H
7618.22	-32.76	11.50	22.20	-43.46	-13.00	-30.46	H
3715.60	-35.40	12.60	12.93	-35.73	-13.00	-22.73	V
5574.21	-34.13	13.10	17.11	-38.14	-13.00	-25.14	V
7618.22	-32.20	11.50	22.20	-42.90	-13.00	-29.90	V
LTE Band 2 / 15MHz / QPSK / RB Size 1 Offset 0/ The Worst Test Results for Middle							
Frequency(MHz)	S G.Lev (dBm)	Ant(dBi)	Loss	PMea	Limit	Margin	Polarity
				(dBm)	(dBm)	(dBm)	
3759.57	-34.82	12.60	12.93	-35.15	-13.00	-22.15	H
5639.57	-35.38	13.10	17.11	-39.39	-13.00	-26.39	H
7520.13	-33.50	11.50	22.20	-44.20	-13.00	-31.20	H
3759.57	-34.61	12.60	12.93	-34.94	-13.00	-21.94	V
5639.57	-34.12	13.10	17.11	-38.13	-13.00	-25.13	V
7520.13	-31.92	11.50	22.20	-42.62	-13.00	-29.62	V
LTE Band 2 / 15MHz / QPSK / RB Size 1 Offset 0/ The Worst Test Results for Highest							
Frequency(MHz)	S G.Lev (dBm)	Ant(dBi)	Loss	PMea	Limit	Margin	Polarity
				(dBm)	(dBm)	(dBm)	
3803.11	-34.68	12.60	12.93	-35.01	-13.00	-22.01	H
5705.03	-35.07	13.10	17.11	-39.08	-13.00	-26.08	H
7607.25	-33.49	11.50	22.20	-44.19	-13.00	-31.19	H
3803.11	-35.86	12.60	12.93	-36.19	-13.00	-23.19	V
5705.03	-34.34	13.10	17.11	-38.35	-13.00	-25.35	V
7607.25	-32.58	11.50	22.20	-43.28	-13.00	-30.28	V



LTE Band 2 / 20MHz / QPSK / RB Size 1 Offset 0/ The Worst Test Results for Lowest							
Frequency(MHz)	S G.Lev (dBm)	Ant(dBi)	Loss	PMea	Limit	Margin	Polarity
				(dBm)	(dBm)	(dBm)	
3720.92	-34.33	12.60	12.93	-34.66	-13.00	-21.66	H
5581.10	-34.80	13.10	17.11	-38.81	-13.00	-25.81	H
7441.72	-33.09	11.50	22.20	-43.79	-13.00	-30.79	H
3720.92	-35.65	12.60	12.93	-35.98	-13.00	-22.98	V
5581.10	-34.06	13.10	17.11	-38.07	-13.00	-25.07	V
7441.72	-32.51	11.50	22.20	-43.21	-13.00	-30.21	V
LTE Band 2 / 20MHz / QPSK / RB Size 1 Offset 0/ The Worst Test Results for Middle							
Frequency(MHz)	S G.Lev (dBm)	Ant(dBi)	Loss	PMea	Limit	Margin	Polarity
				(dBm)	(dBm)	(dBm)	
3759.72	-33.80	12.60	12.93	-34.13	-13.00	-21.13	H
5639.68	-34.88	13.10	17.11	-38.89	-13.00	-25.89	H
7520.12	-33.29	11.50	22.20	-43.99	-13.00	-30.99	H
3759.72	-35.13	12.60	12.93	-35.46	-13.00	-22.46	V
5639.68	-33.84	13.10	17.11	-37.85	-13.00	-24.85	V
7520.12	-32.68	11.50	22.20	-43.38	-13.00	-30.38	V
LTE Band 2 / 20MHz / QPSK / RB Size 1 Offset 0/ The Worst Test Results for Highest							
Frequency(MHz)	S G.Lev (dBm)	Ant(dBi)	Loss	PMea	Limit	Margin	Polarity
				(dBm)	(dBm)	(dBm)	
3798.35	-34.87	12.60	12.93	-35.20	-13.00	-22.20	H
5697.42	-34.77	13.10	17.11	-38.78	-13.00	-25.78	H
7596.54	-32.98	11.50	22.20	-43.68	-13.00	-30.68	H
3798.35	-35.01	12.60	12.93	-35.34	-13.00	-22.34	V
5697.42	-34.12	13.10	17.11	-38.13	-13.00	-25.13	V
7596.54	-32.49	11.50	22.20	-43.19	-13.00	-30.19	V



LTE Band 4 / 1.4MHz / QPSK / RB Size 1 Offset 0/ The Worst Test Results for Lowest							
Frequency(MHz)	S G.Lev (dBm)	Ant(dBi)	Loss	PMea	Limit	Margin	Polarity
				(dBm)	(dBm)	(dBm)	
3420.88	-33.66	12.90	12.56	-33.32	-13.00	-20.32	H
5131.82	-35.38	13.10	16.32	-38.60	-13.00	-25.60	H
6842.49	-33.46	12.33	21.13	-42.26	-13.00	-29.26	H
3420.88	-35.76	12.90	12.56	-35.42	-13.00	-22.42	V
5131.82	-34.63	13.10	16.32	-37.85	-13.00	-24.85	V
6842.49	-32.85	12.33	21.13	-41.65	-13.00	-28.65	V
LTE Band 4 / 1.4MHz / QPSK / RB Size 1 Offset 0/ The Worst Test Results for Middle							
Frequency(MHz)	S G.Lev (dBm)	Ant(dBi)	Loss	PMea	Limit	Margin	Polarity
				(dBm)	(dBm)	(dBm)	
3464.80	-34.62	12.90	12.56	-34.28	-13.00	-21.28	H
5196.84	-35.23	13.10	16.32	-38.45	-13.00	-25.45	H
6929.92	-32.21	12.33	21.13	-41.01	-13.00	-28.01	H
3464.80	-34.85	12.90	12.56	-34.51	-13.00	-21.51	V
5196.84	-33.93	13.10	16.32	-37.15	-13.00	-24.15	V
6929.92	-32.01	12.33	21.13	-40.81	-13.00	-27.81	V
LTE Band 4 / 1.4MHz / QPSK / RB Size 1 Offset 0/ The Worst Test Results for Highest							
Frequency(MHz)	S G.Lev (dBm)	Ant(dBi)	Loss	PMea	Limit	Margin	Polarity
				(dBm)	(dBm)	(dBm)	
3508.32	-34.56	12.90	12.56	-34.22	-13.00	-21.22	H
5262.34	-34.74	13.10	16.32	-37.96	-13.00	-24.96	H
7015.64	-32.39	12.33	21.13	-41.19	-13.00	-28.19	H
3508.32	-35.69	12.90	12.56	-35.35	-13.00	-22.35	V
5262.34	-34.27	13.10	16.32	-37.49	-13.00	-24.49	V
7015.64	-32.71	12.33	21.13	-41.51	-13.00	-28.51	V





LTE Band 4 / 3MHz / QPSK / RB Size 1 Offset 0/ The Worst Test Results for Lowest							
Frequency(MHz)	S G.Lev (dBm)	Ant(dBi)	Loss	PMea	Limit	Margin	Polarity
				(dBm)	(dBm)	(dBm)	
3423.61	-34.34	12.90	12.56	-34.00	-13.00	-21.00	H
5135.95	-34.63	13.10	16.32	-37.85	-13.00	-24.85	H
6848.41	-33.41	12.33	21.13	-42.21	-13.00	-29.21	H
3423.61	-35.05	12.90	12.56	-34.71	-13.00	-21.71	V
5135.95	-33.86	13.10	16.32	-37.08	-13.00	-24.08	V
6848.41	-32.81	12.33	21.13	-41.61	-13.00	-28.61	V
LTE Band 4 / 3MHz / QPSK / RB Size 1 Offset 0/ The Worst Test Results for Middle							
Frequency(MHz)	S G.Lev (dBm)	Ant(dBi)	Loss	PMea	Limit	Margin	Polarity
				(dBm)	(dBm)	(dBm)	
3464.60	-34.73	12.90	12.56	-34.39	-13.00	-21.39	H
5196.71	-35.28	13.10	16.32	-38.50	-13.00	-25.50	H
6929.75	-33.50	12.33	21.13	-42.30	-13.00	-29.30	H
3464.60	-35.84	12.90	12.56	-35.50	-13.00	-22.50	V
5196.71	-34.59	13.10	16.32	-37.81	-13.00	-24.81	V
6929.75	-32.24	12.33	21.13	-41.04	-13.00	-28.04	V
LTE Band 4 / 3MHz / QPSK / RB Size 1 Offset 0/ The Worst Test Results for Highest							
Frequency(MHz)	S G.Lev (dBm)	Ant(dBi)	Loss	PMea	Limit	Margin	Polarity
				(dBm)	(dBm)	(dBm)	
3505.96	-34.22	12.90	12.56	-33.88	-13.00	-20.88	H
5261.82	-34.15	13.10	16.32	-37.37	-13.00	-24.37	H
7012.35	-33.03	12.33	21.13	-41.83	-13.00	-28.83	H
3505.96	-35.22	12.90	12.56	-34.88	-13.00	-21.88	V
5261.82	-34.86	13.10	16.32	-38.08	-13.00	-25.08	V
7012.35	-32.80	12.33	21.13	-41.60	-13.00	-28.60	V



LTE Band 4 / 5MHz / QPSK / RB Size 1 Offset 0/ The Worst Test Results for Lowest							
Frequency(MHz)	S G.Lev (dBm)	Ant(dBi)	Loss	PMea	Limit	Margin	Polarity
				(dBm)	(dBm)	(dBm)	
3424.68	-34.50	12.90	12.56	-34.16	-13.00	-21.16	H
5136.82	-34.92	13.10	16.32	-38.14	-13.00	-25.14	H
6849.74	-33.61	12.33	21.13	-42.41	-13.00	-29.41	H
3424.68	-35.35	12.90	12.56	-35.01	-13.00	-22.01	V
5136.82	-34.58	13.10	16.32	-37.80	-13.00	-24.80	V
6849.74	-32.51	12.33	21.13	-41.31	-13.00	-28.31	V
LTE Band 4 / 5MHz / QPSK / RB Size 1 Offset 0/ The Worst Test Results for Middle							
Frequency(MHz)	S G.Lev (dBm)	Ant(dBi)	Loss	PMea	Limit	Margin	Polarity
				(dBm)	(dBm)	(dBm)	
3464.53	-34.58	12.90	12.56	-34.24	-13.00	-21.24	H
5196.55	-34.78	13.10	16.32	-38.00	-13.00	-25.00	H
6929.67	-33.01	12.33	21.13	-41.81	-13.00	-28.81	H
3464.53	-35.65	12.90	12.56	-35.31	-13.00	-22.31	V
5196.55	-33.81	13.10	16.32	-37.03	-13.00	-24.03	V
6929.67	-32.48	12.33	21.13	-41.28	-13.00	-28.28	V
LTE Band 4 / 5MHz / QPSK / RB Size 1 Offset 0/ The Worst Test Results for Highest							
Frequency(MHz)	S G.Lev (dBm)	Ant(dBi)	Loss	PMea	Limit	Margin	Polarity
				(dBm)	(dBm)	(dBm)	
3505.33	-33.71	12.90	12.56	-33.37	-13.00	-20.37	H
5256.88	-35.32	13.10	16.32	-38.54	-13.00	-25.54	H
7009.76	-32.83	12.33	21.13	-41.63	-13.00	-28.63	H
3505.33	-35.36	12.90	12.56	-35.02	-13.00	-22.02	V
5256.88	-34.75	13.10	16.32	-37.97	-13.00	-24.97	V
7009.76	-32.21	12.33	21.13	-41.01	-13.00	-28.01	V



LTE Band 4 / 10MHz / QPSK / RB Size 1 Offset 0/ The Worst Test Results for Lowest							
Frequency(MHz)	S G.Lev (dBm)	Ant(dBi)	Loss	PMea	Limit	Margin	Polarity
				(dBm)	(dBm)	(dBm)	
3430.13	-33.74	12.90	12.56	-33.40	-13.00	-20.40	H
5145.02	-34.87	13.10	16.32	-38.09	-13.00	-25.09	H
6860.12	-33.32	12.33	21.13	-42.12	-13.00	-29.12	H
3430.13	-34.84	12.90	12.56	-34.50	-13.00	-21.50	V
5145.02	-34.21	13.10	16.32	-37.43	-13.00	-24.43	V
6860.12	-32.64	12.33	21.13	-41.44	-13.00	-28.44	V
LTE Band 4 / 10MHz / QPSK / RB Size 1 Offset 0/ The Worst Test Results for Middle							
Frequency(MHz)	S G.Lev (dBm)	Ant(dBi)	Loss	PMea	Limit	Margin	Polarity
				(dBm)	(dBm)	(dBm)	
3464.66	-34.56	12.90	12.56	-34.22	-13.00	-21.22	H
5196.42	-35.16	13.10	16.32	-38.38	-13.00	-25.38	H
6929.70	-32.77	12.33	21.13	-41.57	-13.00	-28.57	H
3464.66	-34.66	12.90	12.56	-34.32	-13.00	-21.32	V
5196.42	-34.39	13.10	16.32	-37.61	-13.00	-24.61	V
6929.70	-32.17	12.33	21.13	-40.97	-13.00	-27.97	V
LTE Band 4 / 10MHz / QPSK / RB Size 1 Offset 0/ The Worst Test Results for Highest							
Frequency(MHz)	S G.Lev (dBm)	Ant(dBi)	Loss	PMea	Limit	Margin	Polarity
				(dBm)	(dBm)	(dBm)	
3500.19	-33.76	12.90	12.56	-33.42	-13.00	-20.42	H
5250.37	-34.88	13.10	16.32	-38.10	-13.00	-25.10	H
6999.96	-32.56	12.33	21.13	-41.36	-13.00	-28.36	H
3500.19	-34.83	12.90	12.56	-34.49	-13.00	-21.49	V
5250.37	-33.77	13.10	16.32	-36.99	-13.00	-23.99	V
6999.96	-32.38	12.33	21.13	-41.18	-13.00	-28.18	V



LTE Band 4 / 15MHz / QPSK / RB Size 1 Offset 0/ The Worst Test Results for Lowest							
Frequency(MHz)	S G.Lev (dBm)	Ant(dBi)	Loss	PMea	Limit	Margin	Polarity
				(dBm)	(dBm)	(dBm)	
3434.79	-34.33	12.90	12.56	-33.99	-13.00	-20.99	H
5152.44	-34.45	13.10	16.32	-37.67	-13.00	-24.67	H
6870.72	-33.33	12.33	21.13	-42.13	-13.00	-29.13	H
3434.79	-34.65	12.90	12.56	-34.31	-13.00	-21.31	V
5152.44	-35.09	13.10	16.32	-38.31	-13.00	-25.31	V
6870.72	-32.53	12.33	21.13	-41.33	-13.00	-28.33	V
LTE Band 4 / 15MHz / QPSK / RB Size 1 Offset 0/ The Worst Test Results for Middle							
Frequency(MHz)	S G.Lev (dBm)	Ant(dBi)	Loss	PMea	Limit	Margin	Polarity
				(dBm)	(dBm)	(dBm)	
3465.06	-34.01	12.90	12.56	-33.67	-13.00	-20.67	H
5196.59	-34.03	13.10	16.32	-37.25	-13.00	-24.25	H
6930.12	-33.04	12.33	21.13	-41.84	-13.00	-28.84	H
3465.06	-35.81	12.90	12.56	-35.47	-13.00	-22.47	V
5196.59	-35.01	13.10	16.32	-38.23	-13.00	-25.23	V
6930.12	-31.86	12.33	21.13	-40.66	-13.00	-27.66	V
LTE Band 4 / 15MHz / QPSK / RB Size 1 Offset 0/ The Worst Test Results for Highest							
Frequency(MHz)	S G.Lev (dBm)	Ant(dBi)	Loss	PMea	Limit	Margin	Polarity
				(dBm)	(dBm)	(dBm)	
3495.13	-34.06	12.90	12.56	-33.72	-13.00	-20.72	H
5242.05	-34.76	13.10	16.32	-37.98	-13.00	-24.98	H
6989.88	-32.47	12.33	21.13	-41.27	-13.00	-28.27	H
3495.13	-34.77	12.90	12.56	-34.43	-13.00	-21.43	V
5242.05	-34.02	13.10	16.32	-37.24	-13.00	-24.24	V
6989.88	-31.88	12.33	21.13	-40.68	-13.00	-27.68	V



LTE Band 4 / 20MHz / QPSK / RB Size 1 Offset 0/ The Worst Test Results for Lowest							
Frequency(MHz)	S G.Lev (dBm)	Ant(dBi)	Loss	PMea	Limit	Margin	Polarity
				(dBm)	(dBm)	(dBm)	
3440.06	-33.56	12.90	12.56	-33.22	-13.00	-20.22	H
5160.34	-34.98	13.10	16.32	-38.20	-13.00	-25.20	H
6880.41	-32.28	12.33	21.13	-41.08	-13.00	-28.08	H
3440.06	-35.78	12.90	12.56	-35.44	-13.00	-22.44	V
5160.34	-35.04	13.10	16.32	-38.26	-13.00	-25.26	V
6880.41	-32.80	12.33	21.13	-41.60	-13.00	-28.60	V
LTE Band 4 / 20MHz / QPSK / RB Size 1 Offset 0/ The Worst Test Results for Middle							
Frequency(MHz)	S G.Lev (dBm)	Ant(dBi)	Loss	PMea	Limit	Margin	Polarity
				(dBm)	(dBm)	(dBm)	
3464.74	-34.28	12.90	12.56	-33.94	-13.00	-20.94	H
5196.59	-34.42	13.10	16.32	-37.64	-13.00	-24.64	H
6929.53	-33.24	12.33	21.13	-42.04	-13.00	-29.04	H
3464.74	-34.65	12.90	12.56	-34.31	-13.00	-21.31	V
5196.59	-34.01	13.10	16.32	-37.23	-13.00	-24.23	V
6929.53	-32.89	12.33	21.13	-41.69	-13.00	-28.69	V
LTE Band 4 / 20MHz / QPSK / RB Size 1 Offset 0/ The Worst Test Results for Highest							
Frequency(MHz)	S G.Lev (dBm)	Ant(dBi)	Loss	PMea	Limit	Margin	Polarity
				(dBm)	(dBm)	(dBm)	
3490.66	-33.44	12.90	12.56	-33.10	-13.00	-20.10	H
5235.31	-34.54	13.10	16.32	-37.76	-13.00	-24.76	H
6979.72	-33.39	12.33	21.13	-42.19	-13.00	-29.19	H
3490.66	-35.26	12.90	12.56	-34.92	-13.00	-21.92	V
5235.31	-33.99	13.10	16.32	-37.21	-13.00	-24.21	V
6979.72	-32.43	12.33	21.13	-41.23	-13.00	-28.23	V



LTE Band 5 / 1.4MHz / QPSK / RB Size 1 Offset 0/ The Worst Test Results for Lowest							
Frequency(MHz)	S G.Lev (dBm)	Ant(dBi)	Loss	PMea	Limit	Margin	Polarity
				(dBm)	(dBm)	(dBm)	
1648.73	-33.95	9.56	9.72	-34.11	-13.00	-21.11	H
2473.71	-34.00	10.50	10.86	-34.36	-13.00	-21.36	H
3298.35	-33.02	12.78	11.57	-31.81	-13.00	-18.81	H
1648.73	-35.44	9.56	9.72	-35.60	-13.00	-22.60	V
2473.71	-33.75	10.50	10.86	-34.11	-13.00	-21.11	V
3298.35	-33.17	12.78	11.57	-31.96	-13.00	-18.96	V
LTE Band 5 / 1.4MHz / QPSK / RB Size 1 Offset 0/ The Worst Test Results for Middle							
Frequency(MHz)	S G.Lev (dBm)	Ant(dBi)	Loss	PMea	Limit	Margin	Polarity
				(dBm)	(dBm)	(dBm)	
1672.88	-33.49	9.56	9.72	-33.65	-13.00	-20.65	H
2509.38	-35.05	10.50	10.86	-35.41	-13.00	-22.41	H
3345.64	-32.57	12.78	11.57	-31.36	-13.00	-18.36	H
1672.88	-34.63	9.56	9.72	-34.79	-13.00	-21.79	V
2509.38	-35.08	10.50	10.86	-35.44	-13.00	-22.44	V
3345.64	-32.23	12.78	11.57	-31.02	-13.00	-18.02	V
LTE Band 5 / 1.4MHz / QPSK / RB Size 1 Offset 0/ The Worst Test Results for Highest							
Frequency(MHz)	S G.Lev (dBm)	Ant(dBi)	Loss	PMea	Limit	Margin	Polarity
				(dBm)	(dBm)	(dBm)	
1696.01	-34.26	9.56	9.72	-34.42	-13.00	-21.42	H
2544.48	-34.89	10.50	10.86	-35.25	-13.00	-22.25	H
3393.13	-33.16	12.78	11.57	-31.95	-13.00	-18.95	H
1696.01	-35.08	9.56	9.72	-35.24	-13.00	-22.24	V
2544.48	-33.87	10.50	10.86	-34.23	-13.00	-21.23	V
3393.13	-32.96	12.78	11.57	-31.75	-13.00	-18.75	V



LTE Band 5 / 3MHz / QPSK / RB Size 1 Offset 0/ The Worst Test Results for Lowest							
Frequency(MHz)	S G.Lev (dBm)	Ant(dBi)	Loss	PMea	Limit	Margin	Polarity
				(dBm)	(dBm)	(dBm)	
1650.30	-33.50	9.56	9.72	-33.66	-13.00	-20.66	H
2475.75	-34.03	10.50	10.86	-34.39	-13.00	-21.39	H
3301.60	-32.88	12.78	11.57	-31.67	-13.00	-18.67	H
1650.30	-35.35	9.56	9.72	-35.51	-13.00	-22.51	V
2475.75	-34.61	10.50	10.86	-34.97	-13.00	-21.97	V
3301.60	-32.53	12.78	11.57	-31.32	-13.00	-18.32	V
LTE Band 5 / 3MHz / QPSK / RB Size 1 Offset 0/ The Worst Test Results for Middle							
Frequency(MHz)	S G.Lev (dBm)	Ant(dBi)	Loss	PMea	Limit	Margin	Polarity
				(dBm)	(dBm)	(dBm)	
1672.39	-33.91	9.56	9.72	-34.07	-13.00	-21.07	H
2508.87	-34.99	10.50	10.86	-35.35	-13.00	-22.35	H
3345.51	-33.54	12.78	11.57	-32.33	-13.00	-19.33	H
1672.39	-35.65	9.56	9.72	-35.81	-13.00	-22.81	V
2508.87	-35.10	10.50	10.86	-35.46	-13.00	-22.46	V
3345.51	-32.94	12.78	11.57	-31.73	-13.00	-18.73	V
LTE Band 5 / 3MHz / QPSK / RB Size 1 Offset 0/ The Worst Test Results for Highest							
Frequency(MHz)	S G.Lev (dBm)	Ant(dBi)	Loss	PMea	Limit	Margin	Polarity
				(dBm)	(dBm)	(dBm)	
1694.54	-34.88	9.56	9.72	-35.04	-13.00	-22.04	H
2542.15	-34.88	10.50	10.86	-35.24	-13.00	-22.24	H
3389.28	-32.91	12.78	11.57	-31.70	-13.00	-18.70	H
1694.54	-34.79	9.56	9.72	-34.95	-13.00	-21.95	V
2542.15	-34.05	10.50	10.86	-34.41	-13.00	-21.41	V
3389.28	-32.56	12.78	11.57	-31.35	-13.00	-18.35	V



LTE Band 5 / 5MHz / QPSK / RB Size 1 Offset 0/ The Worst Test Results for Lowest							
Frequency(MHz)	S G.Lev (dBm)	Ant(dBi)	Loss	PMea	Limit	Margin	Polarity
				(dBm)	(dBm)	(dBm)	
1652.58	-34.49	9.56	9.72	-34.65	-13.00	-21.65	H
2478.98	-34.88	10.50	10.86	-35.24	-13.00	-22.24	H
3305.32	-33.53	12.78	11.57	-32.32	-13.00	-19.32	H
1652.58	-34.98	9.56	9.72	-35.14	-13.00	-22.14	V
2478.98	-35.02	10.50	10.86	-35.38	-13.00	-22.38	V
3305.32	-32.55	12.78	11.57	-31.34	-13.00	-18.34	V
LTE Band 5 / 5MHz / QPSK / RB Size 1 Offset 0/ The Worst Test Results for Middle							
Frequency(MHz)	S G.Lev (dBm)	Ant(dBi)	Loss	PMea	Limit	Margin	Polarity
				(dBm)	(dBm)	(dBm)	
1672.12	-34.76	9.56	9.72	-34.92	-13.00	-21.92	H
2508.85	-34.91	10.50	10.86	-35.27	-13.00	-22.27	H
3345.49	-32.21	12.78	11.57	-31.00	-13.00	-18.00	H
1672.12	-35.05	9.56	9.72	-35.21	-13.00	-22.21	V
2508.85	-34.62	10.50	10.86	-34.98	-13.00	-21.98	V
3345.49	-32.31	12.78	11.57	-31.10	-13.00	-18.10	V
LTE Band 5 / 5MHz / QPSK / RB Size 1 Offset 0/ The Worst Test Results for Highest							
Frequency(MHz)	S G.Lev (dBm)	Ant(dBi)	Loss	PMea	Limit	Margin	Polarity
				(dBm)	(dBm)	(dBm)	
1692.18	-34.86	9.56	9.72	-35.02	-13.00	-22.02	H
2539.03	-35.45	10.50	10.86	-35.81	-13.00	-22.81	H
3385.63	-33.42	12.78	11.57	-32.21	-13.00	-19.21	H
1692.18	-35.27	9.56	9.72	-35.43	-13.00	-22.43	V
2539.03	-34.04	10.50	10.86	-34.40	-13.00	-21.40	V
3385.63	-32.18	12.78	11.57	-30.97	-13.00	-17.97	V





LTE Band 5 / 10MHz / QPSK / RB Size 1 Offset 0/ The Worst Test Results for Lowest							
Frequency(MHz)	S G.Lev (dBm)	Ant(dBi)	Loss	PMea	Limit	Margin	Polarity
				(dBm)	(dBm)	(dBm)	
1657.50	-34.46	9.56	9.72	-34.62	-13.00	-21.62	H
2486.37	-34.28	10.50	10.86	-34.64	-13.00	-21.64	H
3315.25	-32.92	12.78	11.57	-31.71	-13.00	-18.71	H
1657.50	-36.01	9.56	9.72	-36.17	-13.00	-23.17	V
2486.37	-34.41	10.50	10.86	-34.77	-13.00	-21.77	V
3315.25	-32.26	12.78	11.57	-31.05	-13.00	-18.05	V
LTE Band 5 / 10MHz / QPSK / RB Size 1 Offset 0/ The Worst Test Results for Middle							
Frequency(MHz)	S G.Lev (dBm)	Ant(dBi)	Loss	PMea	Limit	Margin	Polarity
				(dBm)	(dBm)	(dBm)	
1672.50	-33.96	9.56	9.72	-34.12	-13.00	-21.12	H
2509.08	-34.17	10.50	10.86	-34.53	-13.00	-21.53	H
3345.12	-33.01	12.78	11.57	-31.80	-13.00	-18.80	H
1672.50	-35.71	9.56	9.72	-35.87	-13.00	-22.87	V
2509.08	-34.48	10.50	10.86	-34.84	-13.00	-21.84	V
3345.12	-32.97	12.78	11.57	-31.76	-13.00	-18.76	V
LTE Band 5 / 10MHz / QPSK / RB Size 1 Offset 0/ The Worst Test Results for Highest							
Frequency(MHz)	S G.Lev (dBm)	Ant(dBi)	Loss	PMea	Limit	Margin	Polarity
				(dBm)	(dBm)	(dBm)	
1687.40	-34.53	9.56	9.72	-34.69	-13.00	-21.69	H
2531.28	-34.37	10.50	10.86	-34.73	-13.00	-21.73	H
3375.39	-32.23	12.78	11.57	-31.02	-13.00	-18.02	H
1687.40	-34.89	9.56	9.72	-35.05	-13.00	-22.05	V
2531.28	-35.08	10.50	10.86	-35.44	-13.00	-22.44	V
3375.39	-33.09	12.78	11.57	-31.88	-13.00	-18.88	V



LTE Band 12 / 1.4MHz / QPSK / RB Size 1 Offset 0/ The Worst Test Results for Lowest							
Frequency(MHz)	S G.Lev (dBm)	Ant(dBi)	Loss	PMea	Limit	Margin	Polarity
				(dBm)	(dBm)	(dBm)	
1399.19	-33.98	8.17	9.34	-35.15	-13.00	-22.15	H
2098.79	-35.42	9.53	10.42	-36.31	-13.00	-23.31	H
2798.37	-33.62	11.27	11.12	-33.47	-13.00	-20.47	H
1399.19	-35.80	8.17	9.34	-36.97	-13.00	-23.97	V
2098.79	-35.17	9.53	10.42	-36.06	-13.00	-23.06	V
2798.37	-32.29	11.27	11.12	-32.14	-13.00	-19.14	V
LTE Band 12 / 1.4MHz / QPSK / RB Size 1 Offset 0/ The Worst Test Results for Middle							
Frequency(MHz)	S G.Lev (dBm)	Ant(dBi)	Loss	PMea	Limit	Margin	Polarity
				(dBm)	(dBm)	(dBm)	
1414.65	-34.75	8.17	9.34	-35.92	-13.00	-22.92	H
2122.06	-34.33	9.53	10.42	-35.22	-13.00	-22.22	H
2829.72	-33.55	11.27	11.12	-33.40	-13.00	-20.40	H
1414.65	-34.73	8.17	9.34	-35.90	-13.00	-22.90	V
2122.06	-35.16	9.53	10.42	-36.05	-13.00	-23.05	V
2829.72	-32.69	11.27	11.12	-32.54	-13.00	-19.54	V
LTE Band 12 / 1.4MHz / QPSK / RB Size 1 Offset 0/ The Worst Test Results for Highest							
Frequency(MHz)	S G.Lev (dBm)	Ant(dBi)	Loss	PMea	Limit	Margin	Polarity
				(dBm)	(dBm)	(dBm)	
1430.29	-34.45	8.17	9.34	-35.62	-13.00	-22.62	H
2145.47	-34.61	9.53	10.42	-35.50	-13.00	-22.50	H
2861.00	-32.35	11.27	11.12	-32.20	-13.00	-19.20	H
1430.29	-35.58	8.17	9.34	-36.75	-13.00	-23.75	V
2145.47	-35.20	9.53	10.42	-36.09	-13.00	-23.09	V
2861.00	-32.52	11.27	11.12	-32.37	-13.00	-19.37	V



LTE Band 12 / 3MHz / QPSK / RB Size 1 Offset 0/ The Worst Test Results for Lowest							
Frequency(MHz)	S G.Lev (dBm)	Ant(dBi)	Loss	PMea	Limit	Margin	Polarity
				(dBm)	(dBm)	(dBm)	
1400.52	-34.64	8.17	9.34	-35.81	-13.00	-22.81	H
2101.32	-35.16	9.53	10.42	-36.05	-13.00	-23.05	H
2801.57	-33.46	11.27	11.12	-33.31	-13.00	-20.31	H
1400.52	-35.86	8.17	9.34	-37.03	-13.00	-24.03	V
2101.32	-34.14	9.53	10.42	-35.03	-13.00	-22.03	V
2801.57	-32.55	11.27	11.12	-32.40	-13.00	-19.40	V
LTE Band 12 / 3MHz / QPSK / RB Size 1 Offset 0/ The Worst Test Results for Middle							
Frequency(MHz)	S G.Lev (dBm)	Ant(dBi)	Loss	PMea	Limit	Margin	Polarity
				(dBm)	(dBm)	(dBm)	
1414.79	-34.13	8.17	9.34	-35.30	-13.00	-22.30	H
2122.36	-34.24	9.53	10.42	-35.13	-13.00	-22.13	H
2829.87	-33.46	11.27	11.12	-33.31	-13.00	-20.31	H
1414.79	-35.74	8.17	9.34	-36.91	-13.00	-23.91	V
2122.36	-35.06	9.53	10.42	-35.95	-13.00	-22.95	V
2829.87	-32.37	11.27	11.12	-32.22	-13.00	-19.22	V
LTE Band 12 / 3MHz / QPSK / RB Size 1 Offset 0/ The Worst Test Results for Highest							
Frequency(MHz)	S G.Lev (dBm)	Ant(dBi)	Loss	PMea	Limit	Margin	Polarity
				(dBm)	(dBm)	(dBm)	
1428.61	-34.41	8.17	9.34	-35.58	-13.00	-22.58	H
2143.50	-34.38	9.53	10.42	-35.27	-13.00	-22.27	H
2857.63	-33.44	11.27	11.12	-33.29	-13.00	-20.29	H
1428.61	-35.61	8.17	9.34	-36.78	-13.00	-23.78	V
2143.50	-34.43	9.53	10.42	-35.32	-13.00	-22.32	V
2857.63	-31.92	11.27	11.12	-31.77	-13.00	-18.77	V



LTE Band 12 / 5MHz / QPSK / RB Size 1 Offset 0/ The Worst Test Results for Lowest							
Frequency(MHz)	S G.Lev (dBm)	Ant(dBi)	Loss	PMea	Limit	Margin	Polarity
				(dBm)	(dBm)	(dBm)	
1402.91	-33.47	8.17	9.34	-34.64	-13.00	-21.64	H
2104.29	-34.96	9.53	10.42	-35.85	-13.00	-22.85	H
2805.75	-32.31	11.27	11.12	-32.16	-13.00	-19.16	H
1402.91	-35.44	8.17	9.34	-36.61	-13.00	-23.61	V
2104.29	-34.01	9.53	10.42	-34.90	-13.00	-21.90	V
2805.75	-32.35	11.27	11.12	-32.20	-13.00	-19.20	V
LTE Band 12 / 5MHz / QPSK / RB Size 1 Offset 0/ The Worst Test Results for Middle							
Frequency(MHz)	S G.Lev (dBm)	Ant(dBi)	Loss	PMea	Limit	Margin	Polarity
				(dBm)	(dBm)	(dBm)	
1414.77	-34.03	8.17	9.34	-35.20	-13.00	-22.20	H
2122.24	-34.63	9.53	10.42	-35.52	-13.00	-22.52	H
2829.89	-32.33	11.27	11.12	-32.18	-13.00	-19.18	H
1414.77	-35.53	8.17	9.34	-36.70	-13.00	-23.70	V
2122.24	-34.47	9.53	10.42	-35.36	-13.00	-22.36	V
2829.89	-31.80	11.27	11.12	-31.65	-13.00	-18.65	V
LTE Band 12 / 5MHz / QPSK / RB Size 1 Offset 0/ The Worst Test Results for Highest							
Frequency(MHz)	S G.Lev (dBm)	Ant(dBi)	Loss	PMea	Limit	Margin	Polarity
				(dBm)	(dBm)	(dBm)	
1426.64	-34.32	8.17	9.34	-35.49	-13.00	-22.49	H
2140.50	-34.09	9.53	10.42	-34.98	-13.00	-21.98	H
2853.59	-33.60	11.27	11.12	-33.45	-13.00	-20.45	H
1426.64	-34.87	8.17	9.34	-36.04	-13.00	-23.04	V
2140.50	-34.72	9.53	10.42	-35.61	-13.00	-22.61	V
2853.59	-31.78	11.27	11.12	-31.63	-13.00	-18.63	V



LTE Band 12 / 10MHz / QPSK / RB Size 1 Offset 0/ The Worst Test Results for Lowest							
Frequency(MHz)	S G.Lev (dBm)	Ant(dBi)	Loss	PMea	Limit	Margin	Polarity
				(dBm)	(dBm)	(dBm)	
1407.75	-34.48	8.17	9.34	-35.65	-13.00	-22.65	H
2111.82	-34.29	9.53	10.42	-35.18	-13.00	-22.18	H
2815.82	-32.83	11.27	11.12	-32.68	-13.00	-19.68	H
1407.75	-35.89	8.17	9.34	-37.06	-13.00	-24.06	V
2111.82	-35.20	9.53	10.42	-36.09	-13.00	-23.09	V
2815.82	-31.97	11.27	11.12	-31.82	-13.00	-18.82	V
LTE Band 12 / 10MHz / QPSK / RB Size 1 Offset 0/ The Worst Test Results for Middle							
Frequency(MHz)	S G.Lev (dBm)	Ant(dBi)	Loss	PMea	Limit	Margin	Polarity
				(dBm)	(dBm)	(dBm)	
1415.00	-34.20	8.17	9.34	-35.37	-13.00	-22.37	H
2122.24	-35.28	9.53	10.42	-36.17	-13.00	-23.17	H
2829.70	-32.96	11.27	11.12	-32.81	-13.00	-19.81	H
1415.00	-34.60	8.17	9.34	-35.77	-13.00	-22.77	V
2122.24	-34.41	9.53	10.42	-35.30	-13.00	-22.30	V
2829.70	-32.15	11.27	11.12	-32.00	-13.00	-19.00	V
LTE Band 12 / 10MHz / QPSK / RB Size 1 Offset 0/ The Worst Test Results for Highest							
Frequency(MHz)	S G.Lev (dBm)	Ant(dBi)	Loss	PMea	Limit	Margin	Polarity
				(dBm)	(dBm)	(dBm)	
1421.91	-33.68	8.17	9.34	-34.85	-13.00	-21.85	H
2132.66	-35.39	9.53	10.42	-36.28	-13.00	-23.28	H
2843.80	-32.94	11.27	11.12	-32.79	-13.00	-19.79	H
1421.91	-35.86	8.17	9.34	-37.03	-13.00	-24.03	V
2132.66	-34.22	9.53	10.42	-35.11	-13.00	-22.11	V
2843.80	-32.08	11.27	11.12	-31.93	-13.00	-18.93	V



LTE Band 66 / 1.4MHz / QPSK / RB Size 1 Offset 0/ The Worst Test Results for Lowest							
Frequency(MHz)	S G.Lev (dBm)	Ant(dBi)	Loss	PMea	Limit	Margin	Polarity
				(dBm)	(dBm)	(dBm)	
3421.08	-34.65	12.90	12.56	-34.31	-13.00	-21.31	H
5131.71	-34.90	13.10	16.32	-38.12	-13.00	-25.12	H
6842.49	-32.98	12.33	21.13	-41.78	-13.00	-28.78	H
3421.08	-34.96	12.90	12.56	-34.62	-13.00	-21.62	V
5131.71	-33.98	13.10	16.32	-37.20	-13.00	-24.20	V
6842.49	-33.01	12.33	21.13	-41.81	-13.00	-28.81	V
LTE Band 66 / 1.4MHz / QPSK / RB Size 1 Offset 0/ The Worst Test Results for Middle							
Frequency(MHz)	S G.Lev (dBm)	Ant(dBi)	Loss	PMea	Limit	Margin	Polarity
				(dBm)	(dBm)	(dBm)	
3490.24	-33.80	12.90	12.56	-33.46	-13.00	-20.46	H
5234.98	-34.82	13.10	16.32	-38.04	-13.00	-25.04	H
6979.96	-32.25	12.33	21.13	-41.05	-13.00	-28.05	H
3490.24	-35.67	12.90	12.56	-35.33	-13.00	-22.33	V
5234.98	-33.97	13.10	16.32	-37.19	-13.00	-24.19	V
6979.96	-32.23	12.33	21.13	-41.03	-13.00	-28.03	V
LTE Band 66 / 1.4MHz / QPSK / RB Size 1 Offset 0/ The Worst Test Results for Highest							
Frequency(MHz)	S G.Lev (dBm)	Ant(dBi)	Loss	PMea	Limit	Margin	Polarity
				(dBm)	(dBm)	(dBm)	
3558.12	-33.83	12.90	12.56	-33.49	-13.00	-20.49	H
5336.78	-35.28	13.10	16.32	-38.50	-13.00	-25.50	H
7116.99	-32.33	12.33	21.13	-41.13	-13.00	-28.13	H
3558.12	-35.07	12.90	12.56	-34.73	-13.00	-21.73	V
5336.78	-34.54	13.10	16.32	-37.76	-13.00	-24.76	V
7116.99	-33.06	12.33	21.13	-41.86	-13.00	-28.86	V



LTE Band 66 / 3MHz / QPSK / RB Size 1 Offset 0/ The Worst Test Results for Lowest							
Frequency(MHz)	S G.Lev (dBm)	Ant(dBi)	Loss	PMea	Limit	Margin	Polarity
				(dBm)	(dBm)	(dBm)	
3422.86	-34.29	12.90	12.56	-33.95	-13.00	-20.95	H
5134.21	-35.47	13.10	16.32	-38.69	-13.00	-25.69	H
6845.82	-32.56	12.33	21.13	-41.36	-13.00	-28.36	H
3422.86	-35.90	12.90	12.56	-35.56	-13.00	-22.56	V
5134.21	-34.50	13.10	16.32	-37.72	-13.00	-24.72	V
6845.82	-31.98	12.33	21.13	-40.78	-13.00	-27.78	V
LTE Band 66 / 3MHz / QPSK / RB Size 1 Offset 0/ The Worst Test Results for Middle							
Frequency(MHz)	S G.Lev (dBm)	Ant(dBi)	Loss	PMea	Limit	Margin	Polarity
				(dBm)	(dBm)	(dBm)	
3490.26	-34.26	12.90	12.56	-33.92	-13.00	-20.92	H
5235.12	-34.51	13.10	16.32	-37.73	-13.00	-24.73	H
6980.14	-32.89	12.33	21.13	-41.69	-13.00	-28.69	H
3490.26	-35.88	12.90	12.56	-35.54	-13.00	-22.54	V
5235.12	-35.24	13.10	16.32	-38.46	-13.00	-25.46	V
6980.14	-33.07	12.33	21.13	-41.87	-13.00	-28.87	V
LTE Band 66 / 3MHz / QPSK / RB Size 1 Offset 0/ The Worst Test Results for Highest							
Frequency(MHz)	S G.Lev (dBm)	Ant(dBi)	Loss	PMea	Limit	Margin	Polarity
				(dBm)	(dBm)	(dBm)	
3556.77	-33.46	12.90	12.56	-33.12	-13.00	-20.12	H
5262.02	-34.06	13.10	16.32	-37.28	-13.00	-24.28	H
7113.74	-32.89	12.33	21.13	-41.69	-13.00	-28.69	H
3556.77	-35.78	12.90	12.56	-35.44	-13.00	-22.44	V
5262.02	-34.54	13.10	16.32	-37.76	-13.00	-24.76	V
7113.74	-32.88	12.33	21.13	-41.68	-13.00	-28.68	V



LTE Band 66 / 5MHz / QPSK / RB Size 1 Offset 0/ The Worst Test Results for Lowest							
Frequency(MHz)	S G.Lev (dBm)	Ant(dBi)	Loss	PMea	Limit	Margin	Polarity
				(dBm)	(dBm)	(dBm)	
3425.49	-34.13	12.90	12.56	-33.79	-13.00	-20.79	H
5137.34	-34.86	13.10	16.32	-38.08	-13.00	-25.08	H
6850.26	-32.82	12.33	21.13	-41.62	-13.00	-28.62	H
3425.49	-35.98	12.90	12.56	-35.64	-13.00	-22.64	V
5137.34	-35.05	13.10	16.32	-38.27	-13.00	-25.27	V
6850.26	-32.10	12.33	21.13	-40.90	-13.00	-27.90	V
LTE Band 66 / 5MHz / QPSK / RB Size 1 Offset 0/ The Worst Test Results for Middle							
Frequency(MHz)	S G.Lev (dBm)	Ant(dBi)	Loss	PMea	Limit	Margin	Polarity
				(dBm)	(dBm)	(dBm)	
3489.80	-33.63	12.90	12.56	-33.29	-13.00	-20.29	H
5235.22	-34.90	13.10	16.32	-38.12	-13.00	-25.12	H
6980.21	-32.31	12.33	21.13	-41.11	-13.00	-28.11	H
3489.80	-34.58	12.90	12.56	-34.24	-13.00	-21.24	V
5235.22	-34.22	13.10	16.32	-37.44	-13.00	-24.44	V
6980.21	-33.20	12.33	21.13	-42.00	-13.00	-29.00	V
LTE Band 66 / 5MHz / QPSK / RB Size 1 Offset 0/ The Worst Test Results for Highest							
Frequency(MHz)	S G.Lev (dBm)	Ant(dBi)	Loss	PMea	Limit	Margin	Polarity
				(dBm)	(dBm)	(dBm)	
3558.01	-34.37	12.90	12.56	-34.03	-13.00	-21.03	H
52354.04	-34.92	13.10	16.32	-38.14	-13.00	-25.14	H
7110.23	-33.06	12.33	21.13	-41.86	-13.00	-28.86	H
3558.01	-35.55	12.90	12.56	-35.21	-13.00	-22.21	V
52354.04	-34.32	13.10	16.32	-37.54	-13.00	-24.54	V
7110.23	-32.74	12.33	21.13	-41.54	-13.00	-28.54	V





LTE Band 66 / 10MHz / QPSK / RB Size 1 Offset 0/ The Worst Test Results for Lowest							
Frequency(MHz)	S G.Lev (dBm)	Ant(dBi)	Loss	PMea	Limit	Margin	Polarity
				(dBm)	(dBm)	(dBm)	
3429.83	-34.89	12.90	12.56	-34.55	-13.00	-21.55	H
5145.19	-35.20	13.10	16.32	-38.42	-13.00	-25.42	H
6880.08	-33.48	12.33	21.13	-42.28	-13.00	-29.28	H
3429.83	-35.61	12.90	12.56	-35.27	-13.00	-22.27	V
5145.19	-34.36	13.10	16.32	-37.58	-13.00	-24.58	V
6880.08	-32.94	12.33	21.13	-41.74	-13.00	-28.74	V
LTE Band 66 / 10MHz / QPSK / RB Size 1 Offset 0/ The Worst Test Results for Middle							
Frequency(MHz)	S G.Lev (dBm)	Ant(dBi)	Loss	PMea	Limit	Margin	Polarity
				(dBm)	(dBm)	(dBm)	
3489.87	-33.52	12.90	12.56	-33.18	-13.00	-20.18	H
5235.03	-34.45	13.10	16.32	-37.67	-13.00	-24.67	H
6979.83	-33.62	12.33	21.13	-42.42	-13.00	-29.42	H
3489.87	-35.89	12.90	12.56	-35.55	-13.00	-22.55	V
5235.03	-34.35	13.10	16.32	-37.57	-13.00	-24.57	V
6979.83	-32.31	12.33	21.13	-41.11	-13.00	-28.11	V
LTE Band 66 / 10MHz / QPSK / RB Size 1 Offset 0/ The Worst Test Results for Highest							
Frequency(MHz)	S G.Lev (dBm)	Ant(dBi)	Loss	PMea	Limit	Margin	Polarity
				(dBm)	(dBm)	(dBm)	
3550.43	-33.47	12.90	12.56	-33.13	-13.00	-20.13	H
5235.49	-35.40	13.10	16.32	-38.62	-13.00	-25.62	H
7100.24	-33.52	12.33	21.13	-42.32	-13.00	-29.32	H
3550.43	-35.71	12.90	12.56	-35.37	-13.00	-22.37	V
5235.49	-33.88	13.10	16.32	-37.10	-13.00	-24.10	V
7100.24	-32.19	12.33	21.13	-40.99	-13.00	-27.99	V



LTE Band 66 / 15MHz / QPSK / RB Size 1 Offset 0/ The Worst Test Results for Lowest							
Frequency(MHz)	S G.Lev (dBm)	Ant(dBi)	Loss	PMea	Limit	Margin	Polarity
				(dBm)	(dBm)	(dBm)	
3435.22	-33.79	12.90	12.56	-33.45	-13.00	-20.45	H
5152.50	-34.78	13.10	16.32	-38.00	-13.00	-25.00	H
6870.12	-32.26	12.33	21.13	-41.06	-13.00	-28.06	H
3435.22	-34.68	12.90	12.56	-34.34	-13.00	-21.34	V
5152.50	-34.98	13.10	16.32	-38.20	-13.00	-25.20	V
6870.12	-32.21	12.33	21.13	-41.01	-13.00	-28.01	V
LTE Band 66 / 15MHz / QPSK / RB Size 1 Offset 0/ The Worst Test Results for Middle							
Frequency(MHz)	S G.Lev (dBm)	Ant(dBi)	Loss	PMea	Limit	Margin	Polarity
				(dBm)	(dBm)	(dBm)	
3490.19	-34.58	12.90	12.56	-34.24	-13.00	-21.24	H
5235.26	-35.46	13.10	16.32	-38.68	-13.00	-25.68	H
6980.09	-33.32	12.33	21.13	-42.12	-13.00	-29.12	H
3490.19	-34.92	12.90	12.56	-34.58	-13.00	-21.58	V
5235.26	-33.77	13.10	16.32	-36.99	-13.00	-23.99	V
6980.09	-32.21	12.33	21.13	-41.01	-13.00	-28.01	V
LTE Band 66 / 15MHz / QPSK / RB Size 1 Offset 0/ The Worst Test Results for Highest							
Frequency(MHz)	S G.Lev (dBm)	Ant(dBi)	Loss	PMea	Limit	Margin	Polarity
				(dBm)	(dBm)	(dBm)	
3544.73	-33.66	12.90	12.56	-33.32	-13.00	-20.32	H
5332.45	-34.70	13.10	16.32	-37.92	-13.00	-24.92	H
7090.22	-32.41	12.33	21.13	-41.21	-13.00	-28.21	H
3544.73	-35.38	12.90	12.56	-35.04	-13.00	-22.04	V
5332.45	-34.07	13.10	16.32	-37.29	-13.00	-24.29	V
7090.22	-32.25	12.33	21.13	-41.05	-13.00	-28.05	V



LTE Band 66 / 20MHz / QPSK / RB Size 1 Offset 0/ The Worst Test Results for Lowest							
Frequency(MHz)	S G.Lev (dBm)	Ant(dBi)	Loss	PMea	Limit	Margin	Polarity
				(dBm)	(dBm)	(dBm)	
3439.79	-34.29	12.90	12.56	-33.95	-13.00	-20.95	H
5160.09	-34.70	13.10	16.32	-37.92	-13.00	-24.92	H
6880.21	-33.09	12.33	21.13	-41.89	-13.00	-28.89	H
3439.79	-35.76	12.90	12.56	-35.42	-13.00	-22.42	V
5160.09	-33.91	13.10	16.32	-37.13	-13.00	-24.13	V
6880.21	-32.85	12.33	21.13	-41.65	-13.00	-28.65	V
LTE Band 66 / 20MHz / QPSK / RB Size 1 Offset 0/ The Worst Test Results for Middle							
Frequency(MHz)	S G.Lev (dBm)	Ant(dBi)	Loss	PMea	Limit	Margin	Polarity
				(dBm)	(dBm)	(dBm)	
3489.77	-34.50	12.90	12.56	-34.16	-13.00	-21.16	H
5234.90	-35.25	13.10	16.32	-38.47	-13.00	-25.47	H
6980.29	-32.69	12.33	21.13	-41.49	-13.00	-28.49	H
3489.77	-35.10	12.90	12.56	-34.76	-13.00	-21.76	V
5234.90	-35.14	13.10	16.32	-38.36	-13.00	-25.36	V
6980.29	-32.49	12.33	21.13	-41.29	-13.00	-28.29	V
LTE Band 66 / 20MHz / QPSK / RB Size 1 Offset 0/ The Worst Test Results for Highest							
Frequency(MHz)	S G.Lev (dBm)	Ant(dBi)	Loss	PMea	Limit	Margin	Polarity
				(dBm)	(dBm)	(dBm)	
3540.14	-34.80	12.90	12.56	-34.46	-13.00	-21.46	H
5310.20	-34.65	13.10	16.32	-37.87	-13.00	-24.87	H
7080.54	-33.27	12.33	21.13	-42.07	-13.00	-29.07	H
3540.14	-34.72	12.90	12.56	-34.38	-13.00	-21.38	V
5310.20	-34.96	13.10	16.32	-38.18	-13.00	-25.18	V
7080.54	-32.27	12.33	21.13	-41.07	-13.00	-28.07	V



LTE Band 71 / 5MHz / QPSK / RB Size 1 Offset 0/ The Worst Test Results for Lowest							
Frequency(MHz)	S G.Lev (dBm)	Ant(dBi)	Loss	PMea	Limit	Margin	Polarity
				(dBm)	(dBm)	(dBm)	
N/A	1331.04	-34.36	9.34	1287.34	-13.00	1300.34	H
1966.59	-35.14	N/A	10.42	-45.56	-13.00	-32.56	H
2662.03	-32.79	N/A	11.12	-43.91	-13.00	-30.91	H
1331.04	-35.87	N/A	9.34	-45.21	-13.00	-32.21	V
1966.59	-33.94	N/A	10.42	-44.36	-13.00	-31.36	V
2662.03	-32.88	N/A	11.12	-44.00	-13.00	-31.00	V
LTE Band 71 / 5MHz / QPSK / RB Size 1 Offset 0/ The Worst Test Results for Middle							
Frequency(MHz)	S G.Lev (dBm)	Ant(dBi)	Loss	PMea	Limit	Margin	Polarity
				(dBm)	(dBm)	(dBm)	
1360.89	-34.39	8.17	9.34	-35.56	-13.00	-22.56	H
2041.27	-34.56	9.53	10.42	-35.45	-13.00	-22.45	H
2721.99	-33.42	11.27	11.12	-33.27	-13.00	-20.27	H
1360.89	-34.69	8.17	9.34	-35.86	-13.00	-22.86	V
2041.27	-34.36	9.53	10.42	-35.25	-13.00	-22.25	V
2721.99	-33.03	11.27	11.12	-32.88	-13.00	-19.88	V
LTE Band 71 / 5MHz / QPSK / RB Size 1 Offset 0/ The Worst Test Results for Highest							
Frequency(MHz)	S G.Lev (dBm)	Ant(dBi)	Loss	PMea	Limit	Margin	Polarity
				(dBm)	(dBm)	(dBm)	
1390.98	-33.77	8.17	9.34	-34.94	-13.00	-21.94	H
2085.77	-34.49	9.53	10.42	-35.38	-13.00	-22.38	H
2782.03	-33.35	11.27	11.12	-33.20	-13.00	-20.20	H
1390.98	-34.94	8.17	9.34	-36.11	-13.00	-23.11	V
2085.77	-34.91	9.53	10.42	-35.80	-13.00	-22.80	V
2782.03	-32.51	11.27	11.12	-32.36	-13.00	-19.36	V



LTE Band 71 / 10MHz / QPSK / RB Size 1 Offset 0/ The Worst Test Results for Lowest							
Frequency(MHz)	S G.Lev (dBm)	Ant(dBi)	Loss	PMea	Limit	Margin	Polarity
				(dBm)	(dBm)	(dBm)	
1336.03	-33.65	8.17	9.34	-34.82	-13.00	-21.82	H
2004.00	-34.32	9.53	10.42	-35.21	-13.00	-22.21	H
2672.00	-33.05	11.27	11.12	-32.90	-13.00	-19.90	H
1336.03	-34.53	8.17	9.34	-35.70	-13.00	-22.70	V
2004.00	-35.20	9.53	10.42	-36.09	-13.00	-23.09	V
2672.00	-32.18	11.27	11.12	-32.03	-13.00	-19.03	V
LTE Band 71 / 10MHz / QPSK / RB Size 1 Offset 0/ The Worst Test Results for Middle							
Frequency(MHz)	S G.Lev (dBm)	Ant(dBi)	Loss	PMea	Limit	Margin	Polarity
				(dBm)	(dBm)	(dBm)	
1361.07	-33.61	8.17	9.34	-34.78	-13.00	-21.78	H
2041.33	-34.53	9.53	10.42	-35.42	-13.00	-22.42	H
2722.03	-33.62	11.27	11.12	-33.47	-13.00	-20.47	H
1361.07	-35.61	8.17	9.34	-36.78	-13.00	-23.78	V
2041.33	-34.38	9.53	10.42	-35.27	-13.00	-22.27	V
2722.03	-31.73	11.27	11.12	-31.58	-13.00	-18.58	V
LTE Band 71 / 10MHz / QPSK / RB Size 1 Offset 0/ The Worst Test Results for Highest							
Frequency(MHz)	S G.Lev (dBm)	Ant(dBi)	Loss	PMea	Limit	Margin	Polarity
				(dBm)	(dBm)	(dBm)	
1385.91	-34.66	8.17	9.34	-35.83	-13.00	-22.83	H
2079.15	-34.39	9.53	10.42	-35.28	-13.00	-22.28	H
2721.85	-33.32	11.27	11.12	-33.17	-13.00	-20.17	H
1385.91	-35.09	8.17	9.34	-36.26	-13.00	-23.26	V
2079.15	-35.02	9.53	10.42	-35.91	-13.00	-22.91	V
2721.85	-32.33	11.27	11.12	-32.18	-13.00	-19.18	V



LTE Band 71 / 15MHz / QPSK / RB Size 1 Offset 0/ The Worst Test Results for Lowest							
Frequency(MHz)	S G.Lev (dBm)	Ant(dBi)	Loss	PMea	Limit	Margin	Polarity
				(dBm)	(dBm)	(dBm)	
1340.76	-33.57	8.17	9.34	-34.74	-13.00	-21.74	H
2011.01	-34.14	9.53	10.42	-35.03	-13.00	-22.03	H
2681.93	-33.43	11.27	11.12	-33.28	-13.00	-20.28	H
1340.76	-34.99	8.17	9.34	-36.16	-13.00	-23.16	V
2011.01	-34.48	9.53	10.42	-35.37	-13.00	-22.37	V
2681.93	-32.21	11.27	11.12	-32.06	-13.00	-19.06	V
LTE Band 71 / 15MHz / QPSK / RB Size 1 Offset 0/ The Worst Test Results for Middle							
Frequency(MHz)	S G.Lev (dBm)	Ant(dBi)	Loss	PMea	Limit	Margin	Polarity
				(dBm)	(dBm)	(dBm)	
1361.26	-33.49	8.17	9.34	-34.66	-13.00	-21.66	H
2041.54	-35.20	9.53	10.42	-36.09	-13.00	-23.09	H
2721.77	-33.33	11.27	11.12	-33.18	-13.00	-20.18	H
1361.26	-35.78	8.17	9.34	-36.95	-13.00	-23.95	V
2041.54	-35.25	9.53	10.42	-36.14	-13.00	-23.14	V
2721.77	-33.18	11.27	11.12	-33.03	-13.00	-20.03	V
LTE Band 71 / 15MHz / QPSK / RB Size 1 Offset 0/ The Worst Test Results for Highest							
Frequency(MHz)	S G.Lev (dBm)	Ant(dBi)	Loss	PMea	Limit	Margin	Polarity
				(dBm)	(dBm)	(dBm)	
1381.19	-34.83	8.17	9.34	-36.00	-13.00	-23.00	H
2071.11	-34.13	9.53	10.42	-35.02	-13.00	-22.02	H
2761.81	-32.38	11.27	11.12	-32.23	-13.00	-19.23	H
1381.19	-34.77	8.17	9.34	-35.94	-13.00	-22.94	V
2071.11	-34.03	9.53	10.42	-34.92	-13.00	-21.92	V
2761.81	-31.94	11.27	11.12	-31.79	-13.00	-18.79	V



LTE Band 71 / 20MHz / QPSK / RB Size 1 Offset 0/ The Worst Test Results for Lowest							
Frequency(MHz)	S G.Lev (dBm)	Ant(dBi)	Loss	PMea	Limit	Margin	Polarity
				(dBm)	(dBm)	(dBm)	
1345.83	-34.76	8.17	9.34	-35.93	-13.00	-22.93	H
2019.04	-34.80	9.53	10.42	-35.69	-13.00	-22.69	H
2691.77	-33.01	11.27	11.12	-32.86	-13.00	-19.86	H
1345.83	-35.93	8.17	9.34	-37.10	-13.00	-24.10	V
2019.04	-34.63	9.53	10.42	-35.52	-13.00	-22.52	V
2691.77	-33.04	11.27	11.12	-32.89	-13.00	-19.89	V
LTE Band 71 / 20MHz / QPSK / RB Size 1 Offset 0/ The Worst Test Results for Middle							
Frequency(MHz)	S G.Lev (dBm)	Ant(dBi)	Loss	PMea	Limit	Margin	Polarity
				(dBm)	(dBm)	(dBm)	
1361.13	-33.84	8.17	9.34	-35.01	-13.00	-22.01	H
2041.27	-34.98	9.53	10.42	-35.87	-13.00	-22.87	H
2722.08	-32.39	11.27	11.12	-32.24	-13.00	-19.24	H
1361.13	-35.96	8.17	9.34	-37.13	-13.00	-24.13	V
2041.27	-34.68	9.53	10.42	-35.57	-13.00	-22.57	V
2722.08	-32.55	11.27	11.12	-32.40	-13.00	-19.40	V
LTE Band 71 / 20MHz / QPSK / RB Size 1 Offset 0/ The Worst Test Results for Highest							
Frequency(MHz)	S G.Lev (dBm)	Ant(dBi)	Loss	PMea	Limit	Margin	Polarity
				(dBm)	(dBm)	(dBm)	
1376.14	-33.64	8.17	9.34	-34.81	-13.00	-21.81	H
2064.11	-34.76	9.53	10.42	-35.65	-13.00	-22.65	H
2752.19	-33.37	11.27	11.12	-33.22	-13.00	-20.22	H
1376.14	-35.51	8.17	9.34	-36.68	-13.00	-23.68	V
2064.11	-35.05	9.53	10.42	-35.94	-13.00	-22.94	V
2752.19	-32.66	11.27	11.12	-32.51	-13.00	-19.51	V

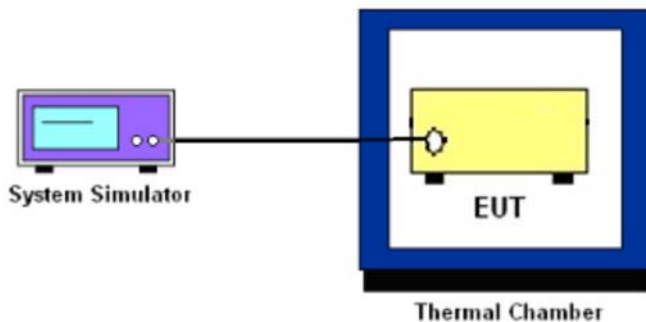
## 10. FREQUENCY STABILITY

### 10.1 DESCRIPTION OF FREQUENCY STABILITY MEASUREMENT

#### 10.1.1 MEASUREMENT METHOD

The frequency stability shall be measured by variation of ambient temperature and variation of primary supply voltage to ensure that the fundamental emission stays within the authorized frequency block. The frequency stability of the transmitter shall be maintained within  $\pm 0.00025\%$  ( $\pm 2.5\text{ppm}$ ) of the center frequency.

#### 10.1.2 TEST SETUP



#### 10.1.3 TEST PROCEDURES FOR TEMPERATURE VARIATION

1. The EUT was set up in the thermal chamber and connected with the system simulator.
2. With power OFF, the temperature was decreased to  $-30^{\circ}\text{C}$  and the EUT was stabilized before testing. Power was applied and the maximum change in frequency was recorded within one minute.
3. With power OFF, the temperature was raised in  $10^{\circ}\text{C}$  step up to  $50^{\circ}\text{C}$ . The EUT was stabilized at each step for at least half an hour. Power was applied and the maximum frequency change was recorded within one minute.

#### 10.1.4 TEST PROCEDURES FOR VOLTAGE VARIATION

1. The testing follows FCC KDB 971168 D01v01r03 Section 9.
2. The EUT was placed in a temperature chamber at  $25\pm 5^{\circ}\text{C}$  and connected with the system simulator.
3. The power supply voltage to the EUT was varied from 85% to 115% of the nominal value measured at the input to the EUT.
4. The variation in frequency was measured for the worst case.





10.1.5 TEST RESULTS

LTE Band 2 (QPSK) / 1880MHz / BW10M					
Temperature (°C)	Voltage	Freq. Dev.	Freq. Dev.	Limit	Result
	(Volt)	(Hz)	(ppm)		
50	Normal Voltage	35.71	0.019	2.5ppm	PASS
40		15.67	0.008		
30		32.03	0.017		
20		34.55	0.018		
10		19.07	0.010		
0		35.48	0.019		
-10		27.63	0.015		
-20		22.89	0.012		
-30		30.29	0.016		
20		Maximum Voltage	15.15		
20	BEP	28.04	0.015		

LTE Band 2 (QPSK) / 1880MHz / BW20M					
Temperature (°C)	Voltage	Freq. Dev.	Freq. Dev.	Limit	Result
	(Volt)	(Hz)	(ppm)		
50	Normal Voltage	18.86	0.010	2.5ppm	PASS
40		36.48	0.019		
30		28.67	0.015		
20		17.55	0.009		
10		27.55	0.015		
0		19.51	0.010		
-10		23.66	0.013		
-20		20.10	0.011		
-30		16.44	0.009		
20		Maximum Voltage	30.32		
20	BEP	26.62	0.014		



LTE Band 4 (QPSK) / 1733MHz / BW10M					
Temperature (°C)	Voltage	Freq. Dev.	Freq. Dev.	Limit	Result
	(Volt)	(Hz)	(ppm)		
50	Normal Voltage	16.05	0.009	2.5ppm	PASS
40		26.43	0.015		
30		31.84	0.018		
20		24.85	0.014		
10		34.66	0.020		
0		18.49	0.011		
-10		28.27	0.016		
-20		24.45	0.014		
-30		13.44	0.008		
20		Maximum Voltage	26.88		
20	BEP	15.32	0.009		

LTE Band 4 (QPSK) / 1733MHz / BW20M					
Temperature (°C)	Voltage	Freq. Dev.	Freq. Dev.	Limit	Result
	(Volt)	(Hz)	(ppm)		
50	Normal Voltage	18.13	0.010	2.5ppm	PASS
40		32.43	0.019		
30		16.19	0.009		
20		30.82	0.018		
10		25.60	0.015		
0		16.94	0.010		
-10		35.00	0.020		
-20		26.45	0.015		
-30		13.19	0.008		
20		Maximum Voltage	28.34		
20	BEP	20.46	0.012		



LTE Band 5 (QPSK) / 836.5MHz / BW5M					
Temperature (°C)	Voltage	Freq. Dev.	Freq. Dev.	Limit	Result
	(Volt)	(Hz)	(ppm)		
50	Normal Voltage	27.85	0.039	2.5ppm	PASS
40		23.42	0.033		
30		17.02	0.024		
20		33.53	0.047		
10		17.43	0.025		
0		16.99	0.024		
-10		12.26	0.002		
-20		15.26	0.021		
-30		24.52	0.035		
20		Maximum Voltage	18.25		
20	BEP	35.10	0.049		

LTE Band 5 (QPSK) / 836.5MHz / BW10M					
Temperature (°C)	Voltage	Freq. Dev.	Freq. Dev.	Limit	Result
	(Volt)	(Hz)	(ppm)		
50	Normal Voltage	30.28	0.043	2.5ppm	PASS
40		19.61	0.028		
30		21.68	0.031		
20		26.50	0.037		
10		19.93	0.028		
0		32.04	0.045		
-10		25.99	0.004		
-20		22.83	0.032		
-30		35.32	0.050		
20		Maximum Voltage	35.71		
20	BEP	11.89	0.017		



LTE Band 12 (QPSK) / 707.5MHz / BW5M					
Temperature (°C)	Voltage	Freq. Dev.	Freq. Dev.	Limit	Result
	(Volt)	(Hz)	(ppm)		
50	Normal Voltage	35.88	0.051	2.5ppm	PASS
40		25.84	0.036		
30		13.49	0.019		
20		22.30	0.031		
10		15.58	0.022		
0		16.12	0.023		
-10		16.07	0.002		
-20		13.92	0.020		
-30		27.21	0.038		
20		Maximum Voltage	29.10		
20	BEP	21.19	0.030		

LTE Band 12 (QPSK) / 707.5MHz / BW10M					
Temperature (°C)	Voltage	Freq. Dev.	Freq. Dev.	Limit	Result
	(Volt)	(Hz)	(ppm)		
50	Normal Voltage	30.16	0.042	2.5ppm	PASS
40		34.95	0.049		
30		26.11	0.037		
20		22.81	0.032		
10		28.01	0.039		
0		26.25	0.037		
-10		18.32	0.003		
-20		21.87	0.031		
-30		11.88	0.017		
20		Maximum Voltage	31.43		
20	BEP	31.76	0.045		



LTE Band 66 (QPSK) / 1745MHz / BW10M					
Temperature (°C)	Voltage	Freq. Dev.	Freq. Dev.	Limit	Result
	(Volt)	(Hz)	(ppm)		
50	Normal Voltage	18.65	0.011	2.5ppm	PASS
40		14.64	0.008		
30		31.03	0.018		
20		25.59	0.015		
10		32.36	0.019		
0		32.75	0.019		
-10		27.90	0.016		
-20		31.32	0.018		
-30		29.58	0.017		
20		Maximum Voltage	22.83		
20	BEP	14.10	0.008		

LTE Band 66 (QPSK) / 1745MHz / BW20M					
Temperature (°C)	Voltage	Freq. Dev.	Freq. Dev.	Limit	Result
	(Volt)	(Hz)	(ppm)		
50	Normal Voltage	27.95	0.016	2.5ppm	PASS
40		13.50	0.008		
30		26.17	0.015		
20		12.10	0.007		
10		22.44	0.013		
0		35.31	0.020		
-10		22.96	0.013		
-20		27.95	0.016		
-30		21.31	0.012		
20		Maximum Voltage	22.42		
20	BEP	14.93	0.009		



LTE Band 71 (QPSK) / 680.5MHz / BW10M					
Temperature (°C)	Voltage	Freq. Dev.	Freq. Dev.	Limit	Result
	(Volt)	(Hz)	(ppm)		
50	Normal Voltage	27.99	0.039	2.5ppm	PASS
40		25.11	0.035		
30		28.65	0.040		
20		16.18	0.023		
10		19.96	0.028		
0		12.69	0.018		
-10		26.69	0.004		
-20		24.47	0.034		
-30		31.20	0.044		
20		Maximum Voltage	32.70		
20	BEP	22.33	0.031		

LTE Band 71 (QPSK) / 680.5MHz / BW20M					
Temperature (°C)	Voltage	Freq. Dev.	Freq. Dev.	Limit	Result
	(Volt)	(Hz)	(ppm)		
50	Normal Voltage	16.49	0.023	2.5ppm	PASS
40		17.47	0.025		
30		33.07	0.047		
20		35.95	0.051		
10		22.84	0.032		
0		31.11	0.044		
-10		29.59	0.004		
-20		16.62	0.023		
-30		13.03	0.018		
20		Maximum Voltage	22.80		
20	BEP	34.55	0.049		



## APPENDIX-PHOTOS OF TEST SETUP

Note: See test photos in setup photo document for the actual connections between Product and support equipment.

\*\*\*\*\*END OF THE REPORT\*\*\*\*\*

