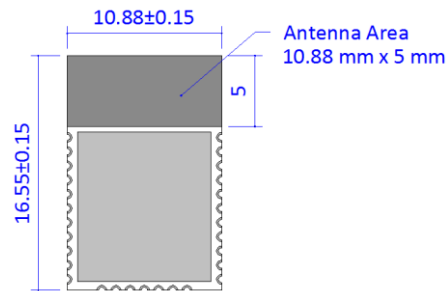

Antenna Specification

M/N: BDE-BLEM401P

Manufacturer name :GEO LASER CO., LTD.

Address:UNIT A1, 6/F., ONE CAPITAL PLACE, 18 LUARD ROAD, WAN CHAI,
HONG KONG

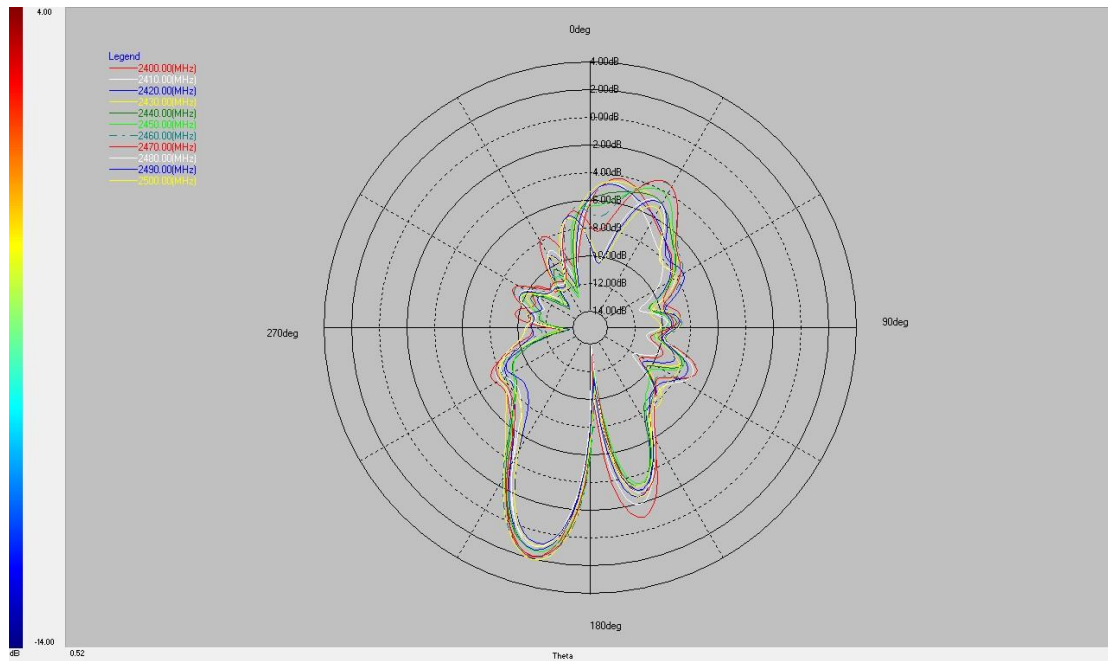
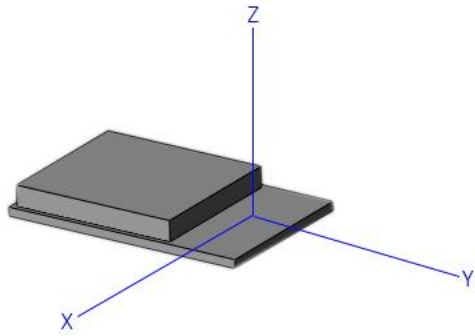
1. Mechanical Dimension



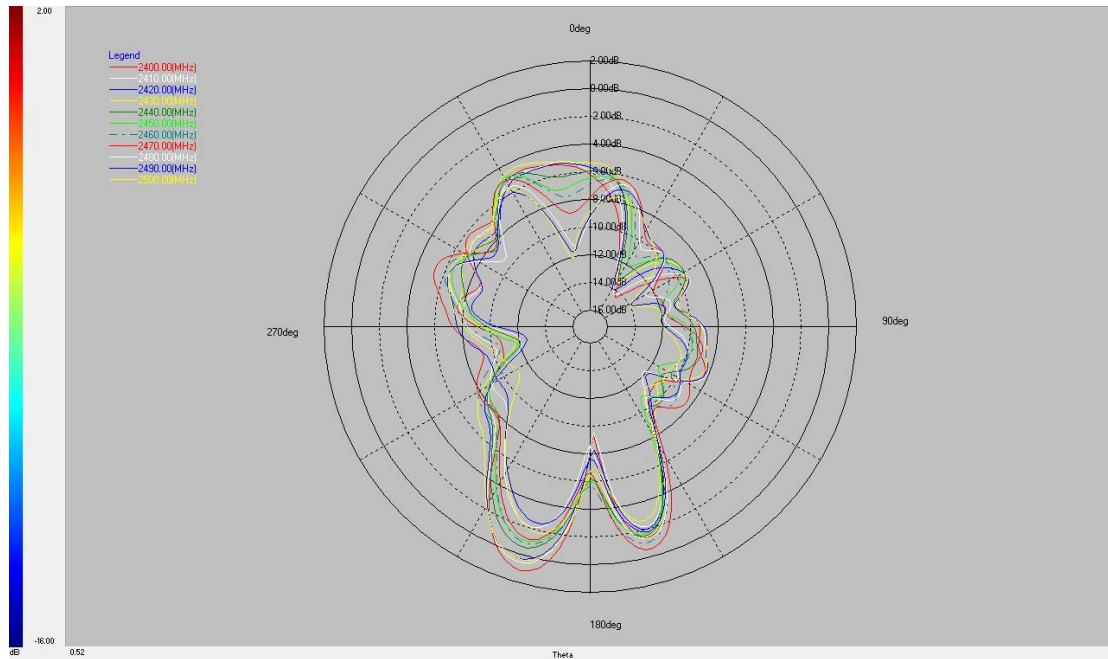
2. Gain and Efficiency

Frequency	Gain	Efficiency
2400 MHz	1.89	18.24%
2410 MHz	1.08	16.53%
2420 MHz	1.34	17.02%
2430 MHz	2.04	19.33%
2440 MHz	1.44	17.31%
2450 MHz	1.41	17.33%
2460 MHz	1.85	19.25%
2470 MHz	1.81	19.84%
2480 MHz	1.06	16.63%
2490 MHz	0.94	16.35%
2500 MHz	1.02	15.82%

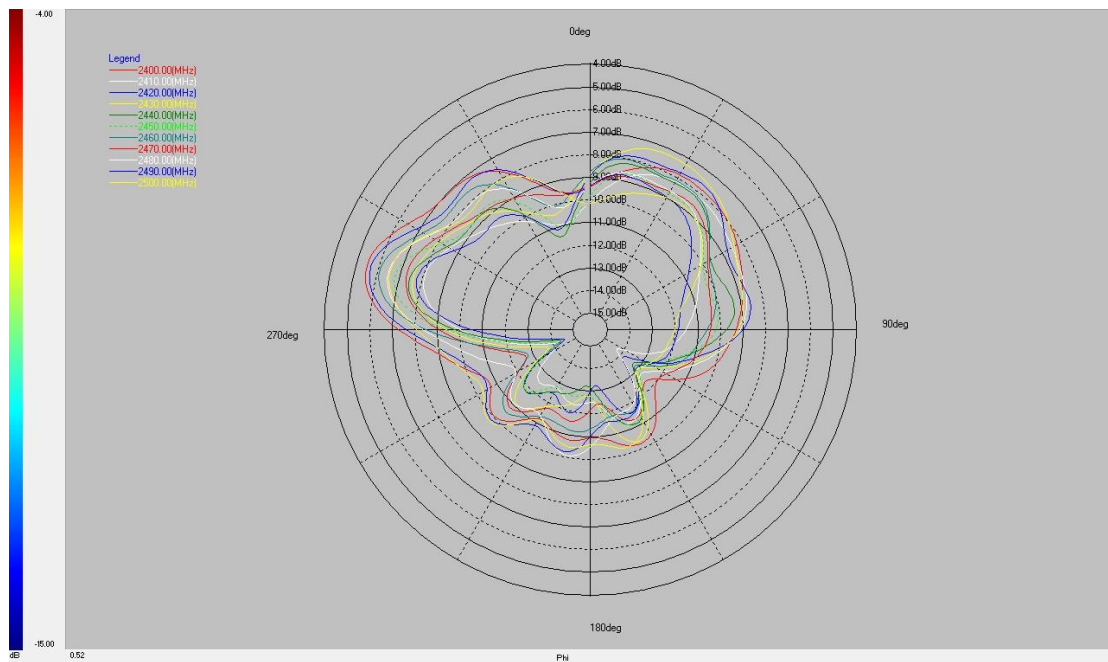
3. Radiation Pattern



XZ plane (Phi = 0°)



YZ plane (Phi = 90°)



XY plane (Theta = 90°)