

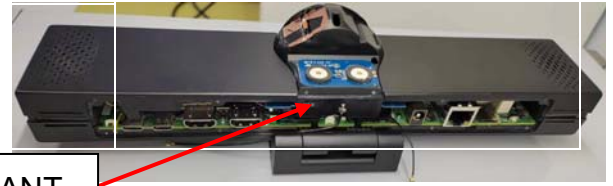
2.4&5GHz FPC Antenna: ANF3811B2455F8K1

Application:

WLAN, 802.11.a/b/g/n/ac, Bluetooth, etc...

Features

High reliability, ultra Impact, Omni-directional...



ANT



ANT feed

Part number

ANF 3811 B 2455 F8 K1
 (1) (2) (3) (4) (5) (6)

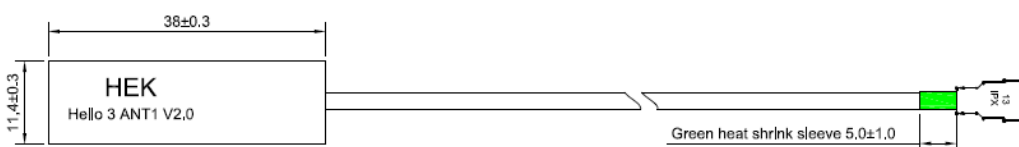
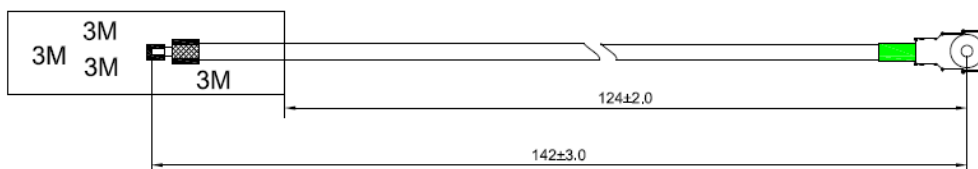
| | |
|------------------|-------------|
| (1) Product code | ANF |
| (2) Product size | 38*11.2mm |
| (3) Packing | IN Bulk |
| (4) Frequency | 2.4GHz&5GHz |
| (5) Series | F8 |
| (6) Type | K1 |

Electrical Specification

| | |
|-------------------------|------------------------------|
| Working Frequency Range | 2402~2480MHz 5700~5800MHz |
| Peak Gain | 1.33dBi(type) |
| Impedance | 50 Ohm |
| VSWR | 3.0 Max |
| Polarization | Linear |
| Azimuth Beam width | Omni-directional |
| Azimuth Beam width | -30~70°C |

| Frequency(MHz) | Effi (%) | Peak Gain (dBi) |
|----------------|-------------|-----------------|
| 2400~2500 | 28.03~36.73 | -1.53~1.22 |
| 5150~5850 | | |

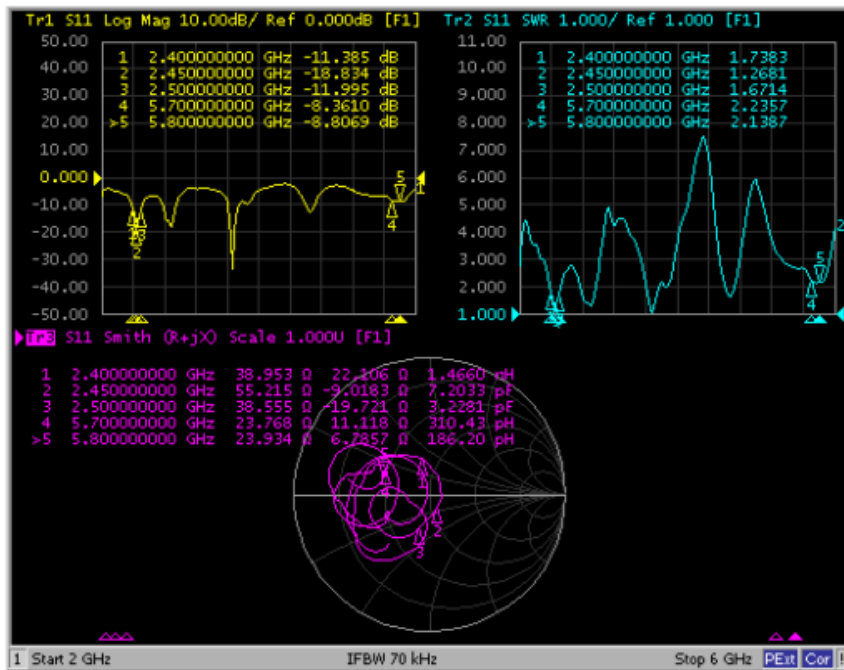
Dimension and Terminal Configuration



2.4&5GHz FPC Antenna: ANF3811B2455F8K1

Electrical Characteristics

Antenna S parameter



| Item_V2 | Value | | | | | |
|-----------------|--------|--------|--------|--------|--------|-------|
| Frequency(MHz) | 2400 | 2450 | 2500 | 5700 | 5750 | 5800 |
| Smith(Ω) | 38.95 | 55.21 | 38.55 | 23.76 | 50.43 | 23.93 |
| Return loss(dB) | -11.38 | -18.83 | -11.99 | -11.99 | -10.06 | -8.80 |
| VSWR | 1.73 | 1.26 | 1.67 | 1.67 | 1.99 | 2.13 |

Antenna Passive parameter

| Frequency (MHz) | Efficiency (%) | Mean (dBi) | Peak Gain (dBi) |
|-----------------|----------------|------------|-----------------|
| 2400 | 35.47 | -4.5 | 0.88 |
| 2420 | 33.41 | -4.76 | 0.95 |
| 2440 | 37.32 | -4.28 | 1.76 |
| 2460 | 38.69 | -4.12 | 2.33 |
| 2480 | 41.57 | -3.81 | 2.91 |
| 2500 | 38.08 | -4.19 | 2.59 |
| 5700 | 31.66 | -5 | 0.95 |
| 5720 | 30.10 | -5.21 | 0.31 |
| 5740 | 30.61 | -5.14 | 0.44 |
| 5760 | 31.76 | -4.98 | 0.49 |
| 5780 | 29.11 | -5.36 | 0.22 |
| 5800 | 30.58 | -5.15 | 0.46 |

2.4&5GHz FPC Antenna: ANF3811B2455F8K1

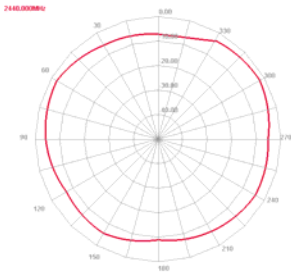


Radiation Pattern

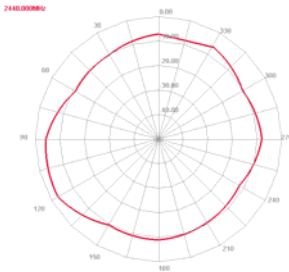


2440MHz

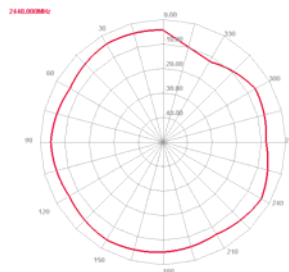
E1 Face



E2 Face

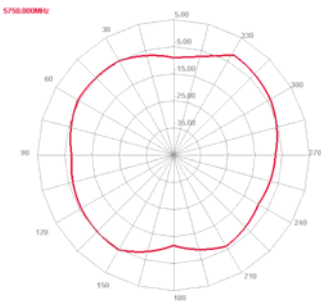


Horizontal

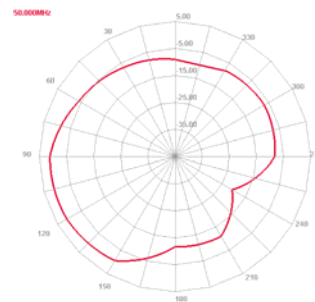


5750MHz

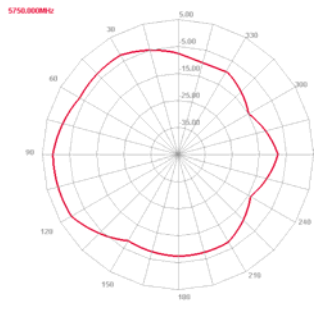
E1 Face





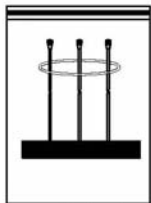
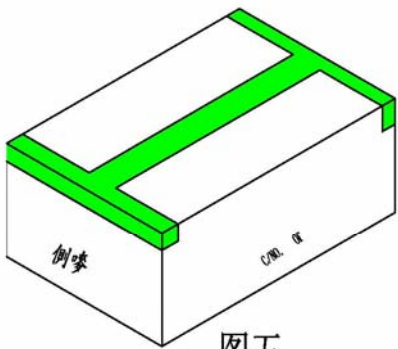
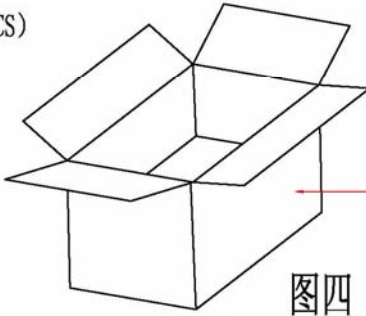
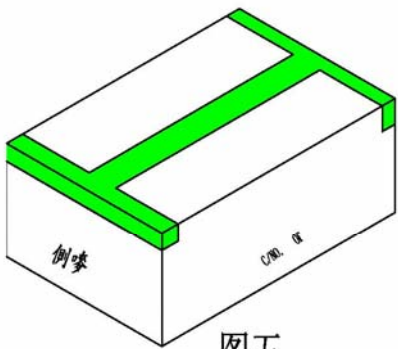
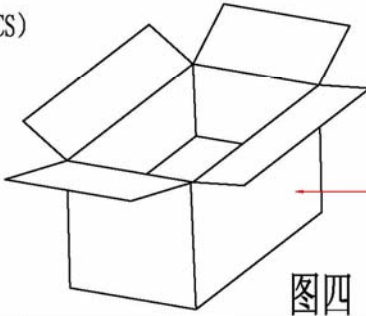
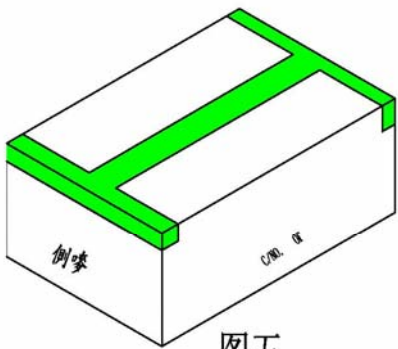
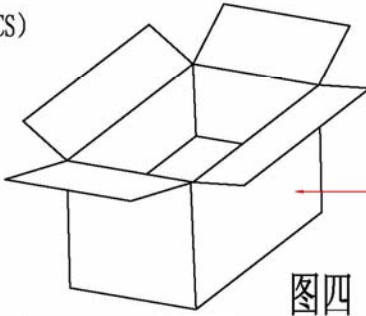
E2 Face




Horizontal



Packing

| | | | | | | | | | | | | | | | |
|--------------|---|---|---|---|--|--------------------|--|-------------------|---|--|--|---|--|--|--|
| FRAME REV:04 | 1 | 2 | 3 | 4 | | | DWG-XX-XXX | | | | | | | | |
| ROHS | | | | REV: A/1 | | DESCRIPTION: Jerry | DATE: 02.18.231P | | | | | | | | |
| A |  <p>1、1pcs产品</p> <p>图一</p> | | |  <p>2、100PCS一捆</p> <p>图二</p> | | |  <p>3、每一捆装入锁扣袋贴客制标签</p> <p>图三</p> | | A | | | | | | |
| B |  <p>图五</p> | | | <p>4、每外箱装20袋（共计2000PCS）</p> <p>5、外箱封好贴客制外箱标签</p> | | |  <p>图四</p> <p style="text-align: right;">外箱</p> | | B | | | | | | |
| C |  <p>图五</p> | | | <p>4、每外箱装20袋（共计2000PCS）</p> <p>5、外箱封好贴客制外箱标签</p> | | |  <p>图四</p> <p style="text-align: right;">外箱</p> | | C | | | | | | |
| D |  <p>图五</p> | | | <p>4、每外箱装20袋（共计2000PCS）</p> <p>5、外箱封好贴客制外箱标签</p> | | |  <p>图四</p> <p style="text-align: right;">外箱</p> | | D | | | | | | |
| 1 | | | | 2 | | | | 3 | | | | 4 | | | |
| | | | | TEL 0769-87888306 | | | | FAX 0769-87888656 | | | | | | | |

| | | | |
|---|------------------|--|------------------|
| THIRD ANGLE PROJECTION | DRAWING APPROVAL | 东莞市合康电子有限公司 DONGGUAN HEKCORP Electronics Co., Ltd | |
|  | DWN: Jerry | CUS: | CUS P/N: |
| TOLERANCES UNLESS OTHERWISE SPECIFIED | CHK: | HEK P/N: | ANT00558B2400ABP |
| ONE PLACE DECIMAL .1 N/A | APPD: | ITEM | |
| TWO PLACE DECIMAL .01 N/A | SIZE: / 4 | | |
| THREE PLACE DECIMAL .001 N/A | UNIT: MM | | |
| ANGLE DIA. VARIATION .02 N/A | SCALE: - : - | SHEET: 1 OF 1 | CUS REV: N/A |
| ANGULAR DIMENSION 0.05 N/A | | HK REV: A/1 | |

Revision History

| Version | Date | Description |
|---------|-----------|--|
| Ver.01 | Aug .2023 | New issue. |
| Ver.02 | Aug.2023 | Change the silk screen from ANT2 to ANT1. |
| Ver.03 | Nov.2023 | Modify coaxial cable length/add red heat shrink bushing. |