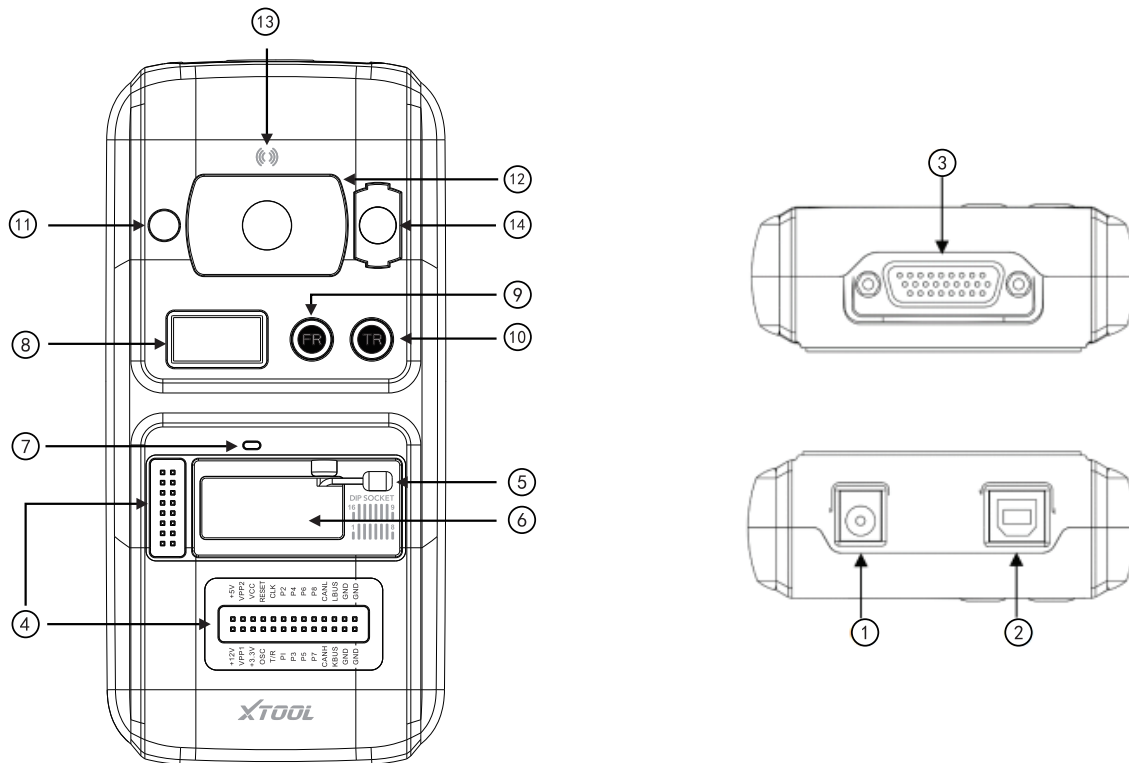


KC501 Key & Chip Programmer

Description

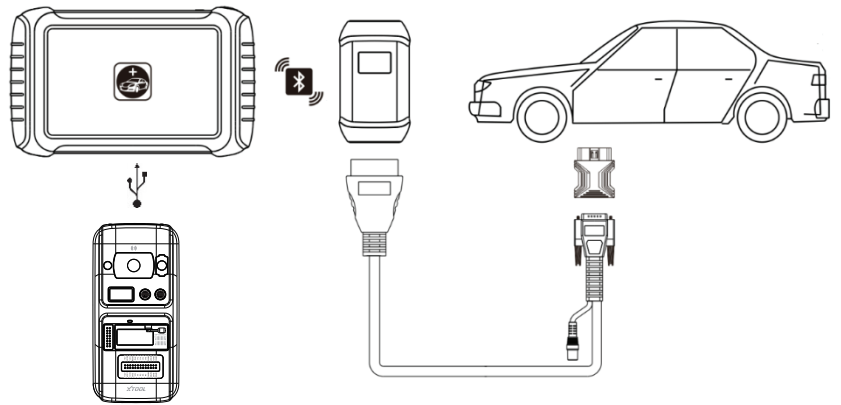
KC501 Key & Chip Programmer is to read and write keys, generate dealer keys; read and write MCU / EEPROM chips; read and write remotes; read and write Mercedes infrared. It needs to work together with our tablet or PC.



1. DC Port: It provides 12V DC power supply.
2. USB Port: It provides data communication and 5V DC power supply. (The Type B USB port provides data communication and power supply for our device, PC and KC501.)
3. DB 26-Pin Port: It connects with the Mercedes Benz infrared cable, ECU cable, MCU cable, MC9S12 cable.
4. Cross Signal Pins: It holds the MCU board, MCU spare cable or DIY signal interface. (The Cross-shaped signal pin is used to place MCU board, MCU spare cable or DIY signal cable to read or write MCU and ECU chips.)
5. Locker: It locks the EEPROM component transponder slot to ensure proper functioning. (It is used to place EEPROM chip or socket to read or write EEPROM data.)
6. EEPROM Component Transponder Slot: It holds the EEPROM plug-in transponder or EEPROM socket.
7. Status LED: It indicates the current operating status.
8. Display Screen (It is used to show remote frequency or transponder ID.)
9. Remote Frequency Button (Press this button to show remote frequency in the display screen.)
10. Transponder ID Button (Press this button to show transponder ID in the display screen.)
11. Transponder Slot: It holds the transponder. (It is used to hold the transponder to read or write transponder data.)
12. Vehicle Key Slot: It holds the vehicle key. (It is used to hold the vehicle key to read or write vehicle key data.)
13. Remote Control Transponder Induction Area (It is used to read and write remote control transponder data.)
14. Mercedes Infrared Key Slot: It holds the Mercedes infrared key. (It is used to hold Mercedes infrared key to read or write Mercedes vehicle key data.)

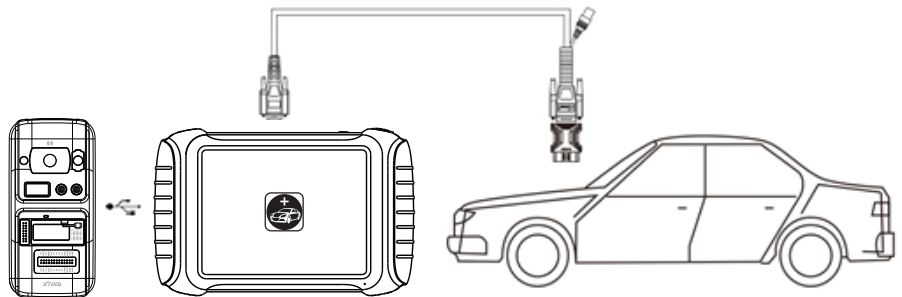
Bluetooth Device Operation Steps

1. Connect VCI and main cable with car's OBD port, which is usually under the dashboard.
2. Turn on our device and pair Bluetooth with VCI.
3. Connect our device and KC501 with a USB cable. Then enter immobilization menu and follow the instructions on the device.



Wire Device Operation Steps

1. Turn on our device.
2. Connect car's OBD port with wire. OBD port is usually under the dashboard.
3. Connect our device and KC501 with a USB cable. Then enter immobilization menu and follow the instructions on the device.



It also supports PC connection



Shenzhen Xtooltech Co., Ltd

Company address: 2nd Floor, Building No.2, Block 1, Excellence City, No.128, Zhongkang Road, Shangmeilin, Futian District, Shenzhen, China

Factory address: 2/F, Building 12, Tangtou Third Industrial Zone, Shiyan Street, Baoan District, Shenzhen, China

Service Hotline: 0086-755-21670995/86267858

Email: marketing@xtooltech.com

Fax: 0755-83461644

Website: www.xtooltech.com

FCC Statement

This equipment has been tested and found to comply with the limits for a Class B digital device, pursuant to part 15 of the FCC Rules. These limits are designed to provide reasonable protection against harmful interference in a residential installation. This equipment generates, uses and can radiate radio frequency energy and, if not installed and used in accordance with the instructions, may cause harmful interference to radio communications. However, there is no guarantee that interference will not occur in a particular installation. If this equipment does cause harmful interference to radio or television reception, which can be determined by turning the equipment off and on, the user is encouraged to try to correct the interference by one or more of the following measures:

- Reorient or relocate the receiving antenna.
- Increase the separation between the equipment and receiver.
- Connect the equipment into an outlet on a circuit different from that to which the receiver is connected.
- Consult the dealer or an experienced radio/TV technician for help.

Caution: Any changes or modifications to this device not explicitly approved by manufacturer could void your authority to operate this equipment.

This device complies with part 15 of the FCC Rules. Operation is subject to the following two conditions: (1) This device may not cause harmful interference, and (2) this device must accept any interference received, including interference that may cause undesired operation.