



# R1T

## OWNER'S GUIDE



---

# Copyright

© 2020–2021 Rivian Automotive, LLC. All rights reserved.

Rivian Proprietary & Confidential Draft - DO NOT DISTRIBUTE

---

# Contents

**Copyright** ..... 2

**Introduction** ..... 21

    Symbols Used in Owner's ..... 21

    Exterior ..... 22

    Interior ..... 22

**Access, Safety, and Climate** ..... 23

    Opening and Closing ..... 23

        Keys ..... 23

        Key Fob ..... 23

        NFC Key Card ..... 23

        NFC Key Wristband ..... 23

        Mobile Application ..... 24

        NFC Wristband ..... 24

        Door Handles (Exterior and Interior) ..... 24

        Exterior Handles ..... 24

        Interior Handles ..... 24

        Child Locks ..... 24

        Rear Door Notification ..... 24

        Garage Door Opener ..... 25

    Seating ..... 25

        Airbags (Supplemental Restraint System) ..... 25

---

- Airbag System Status .....25
- How the Airbags Work .....25
- Airbag Locations .....26
- Driver and Passenger Airbags .....27
- Warnings .....28
  - Maintain Proper Positioning .....28
  - Objects Can Interfere with Airbags .....28
  - Maintain Distance from Side and Curtain Airbags .....28
  - Airbag Components May Be Hot After Deployment .....29
- Passenger Seat Occupant Classification System .....29
- Deployed Airbags .....29
- Questions- .....30
- Seats .....30
  - Driver & Passenger Seat .....30
  - Second-row seats (for R1S and certain R1T models) .....30
    - 9-Module Battery .....30
    - 12-Module Battery .....31
- Seat Belts .....31
  - Children .....32
  - Expectant Mothers .....33
  - Fasten Seat Belts .....33
  - Unfasten Seat Belts .....35

---

---

Seat Belt Pretensioners .....	35
Seat Belt Maintenance .....	36
Headrests .....	36
Front Seat Headrests .....	36
Rear Seat Headrests .....	37
Child Seats .....	37
Choosing a Child Seat .....	38
Installing a Child Seat .....	38
Installing Child Seats with LATCH .....	40
Installing the Lower Anchorage Guide .....	43
Installing a Booster Seat .....	44
Removing a Secured Child Seat .....	45
Automatic Locking Retractor (ALR) .....	45
Activating ALR .....	45
Canceling ALR .....	45
Mirrors .....	46
Windows .....	46
Side-View Mirrors .....	46
Rearview Mirrors .....	47
Toll Devices .....	47
Lights .....	47
Exterior Lights .....	47

---

---

Controlling the Headlights .....	48
Using the High Beams .....	49
Using the Turn Signals .....	50
Turning on the Hazard Warning Lights .....	50
Interior Lights .....	50
Flashlight .....	51
<b>Climate .....</b>	<b>52</b>
Climate Control Options .....	52
Seat Climate Control .....	52
Heated Steering Wheel .....	52
Sun Visors .....	53
Roof .....	53
Defrost .....	54
<b>Audio and Phone .....</b>	<b>55</b>
Audio .....	55
Surround Package (standard) .....	55
Rivian Elevation 360-Degree Audio (upgrade) .....	55
Alexa .....	56
Overview & Setup .....	56
Opt-Out and Mic Off .....	56
Things You Can Ask Alexa .....	56
Mobile Device Support .....	57

---

---

- Pairing Bluetooth .....57
- Connecting to a Bluetooth Device .....57
- Bluetooth Settings .....57
- Connecting Wi-Fi .....58
- Connecting to a Wi-Fi Network .....58
- Wi-Fi Settings .....58
- Cellular Connectivity .....59
- Wi-Fi Hotspot .....59
- Phone Call .....60
- Receiving a Call .....60
- Making a Call .....60
- SOS or Emergency Calls .....61
- Rivian Mobile App .....61
- Smartphone Integration .....62
- Phone Calls .....62
- Contacts .....62
- Media Audio .....63
- Text Messages .....63
- Updates .....63
- Software .....63
  - Available Software Update .....63
  - Emergency Updates .....64

---

Device Charging .....	64
Charge Ports (USB-C) .....	65
Wireless Charger .....	65
Troubleshooting .....	66
<b>Driving .....</b>	<b>67</b>
Basic Vehicle Operations .....	67
Starting and Powering Off .....	67
Brakes .....	67
Selecting a Gear .....	68
Park (P) .....	68
Reverse (R) .....	69
Neutral (N) .....	69
Drive (D) .....	69
Selecting a Drive Mode .....	69
Driving Controls .....	70
Status Indicators .....	70
Function Check .....	70
Hard-Key Controls .....	79
Steering Wheel .....	79
Stalks .....	79
Thumbwheel .....	80

---



---

Horn .....	80
Display Screens .....	81
Driver Display .....	81
Center Display .....	82
Rear Display .....	82
Navigation System .....	83
Rivian ID .....	83
Wipers .....	84
Front Windshield Wipers .....	84
Automatic Front Wipers .....	85
Windshield Washers .....	86
Driver+ .....	88
Adaptive Cruise Control and Active Driving Assistance .....	88
Engaging Adaptive Cruise Control .....	88
Changing the Speed and Following Distance .....	89
Engaging Active Driving Assistance .....	90
High Beam Assist .....	91
Rear Cross Traffic Alert .....	91
Manual Park Assist and Automatic Park .....	91
Blind Spot Monitor .....	91
Forward Collision Warning and Automatic Emergency Braking .....	91
Lane Departure Warning and Lane Keep Assist .....	91

---

Level 2 Autonomous Drive .....	92
Rear and Front Parking Sensors .....	92
Car Cameras .....	92
Dynamic Driving Mode .....	92
Increased Default Ride Height .....	93
Traction & Stability Control .....	93
Automatic Terrain Control & Hold .....	93
Emergency Deceleration .....	94
<b>Charging .....</b>	<b>95</b>
Charging at Home .....	95
Charging on the Road .....	95
Rivian Adventure Network .....	95
Rivian Waypoints .....	95
Public Chargers .....	95
Using the Trip Planner .....	96
Charging the Vehicle .....	96
Starting a Charging Session .....	96
Viewing Charging Status .....	96
Selecting a Range Setting .....	97
Stopping a Charging Session .....	97
Setting a Charge Schedule .....	97
Range .....	98

---

---

Low Range .....	99
Battery Types + Sizes .....	100
Battery Life .....	100
Jump Starting the 12-Volt Batteries .....	100
Portable Charger .....	101
IMPORTANT SAFETY INSTRUCTIONS .....	101
Precautions .....	101
Grounding Instructions .....	103
Safety Symbols on Hardware Labels .....	104
Identifying Parts .....	104
Attaching and Removing an Adapter .....	105
Charging .....	106
Attaching the Portable Charger .....	106
Tracking Time to Charge .....	107
Light Bar States .....	108
Detaching the Portable Charger .....	108
Maintenance .....	109
Cleaning .....	109
Storing .....	109
Installing a Wall Mount .....	109
Troubleshooting .....	110
Specifications .....	111

---

<b>Storage and Security</b> .....	<b>112</b>
Interior Storage .....	112
Center Console .....	112
Cup Holder .....	112
Power Outlets .....	113
Storage Bin .....	113
Rear Seat Armrest .....	114
Door Pockets .....	115
Seat Back Pockets .....	116
Under-Seat Storage .....	116
Exterior Storage .....	117
Front Trunk .....	117
Spare Tire Compartment .....	118
Accessing the Spare Tire Compartment .....	118
Cargo Crossbars .....	120
Set and Place Crossbars .....	120
Secure the Crossbars .....	122
Rack Loading .....	124
Removing the Crossbars .....	125
Maintenance .....	125
Tailgate (for R1T) .....	125
Opening & Closing the Tailgate (manual & power) .....	125

---

---

Truck Bed (for R1T) .....	126
Tower Bed Rack .....	126
Tonneau Cover (for R1T) .....	128
Hard Tonneau .....	128
Gear Tunnel .....	128
Rivian Gear Tunnel™ Shuttle (R1T) .....	129
Charging Devices .....	130
Pulling Out the Shuttle for Use .....	132
Shuttle Maintenance .....	134
Security .....	135
Gear Guard .....	135
Security System (Alarm) .....	135
Automatic Incident Reporting .....	135
<b>Camping and Off-Road .....</b>	<b>136</b>
Camping .....	136
Rivian Camp Kitchen .....	136
Installing the Camp Kitchen .....	136
Installing the Water Module .....	141
Installing the Sink Module .....	141
Installing the Cooktop Module .....	141
Pulling Out the Camp Kitchen for Use .....	142
Storing Water .....	143

---

---

Using the Sink .....146

    Charging a 110 V Device .....149

Setting Up Lights .....150

    Setting Up Lights .....152

Cooktop Controls .....153

Heating Food or Water .....155

Cooktop Maintenance .....156

Camp Kitchen Maintenance .....156

Camp Kitchen Specifications .....157

Warranty .....158

Customer Service .....158

Rivian Three-Person Tent .....159

    Assemble the Tent .....159

    Prepare the Clamp Knobs .....159

    Prepare the Mounting Clamps .....160

    Attach the Mounting Clamps .....161

    Attach the Ladder Brackets .....161

    Attach the Ladder .....163

    Install the Cover .....164

    Prepare the Clamps for Installation .....165

    Install the Tent on the Vehicle .....166

    Using the Rivian Three-Person Tent at a Campsite .....168

---

Deploy the Tent and Adjust the Ladder .....	169
Install the Rainfly .....	171
Remove the Rainfly .....	172
Close and Secure the Rivian Three-Person Tent .....	172
Remove the Rivian Three-Person Tent .....	174
Weight Limits .....	174
Warnings .....	175
Care and Maintenance .....	175
Rivian Camp Speaker .....	177
Important Safety Information .....	177
Speaker Specifications .....	179
Getting Started .....	180
Power Modes .....	180
Turning On the Speaker .....	181
Connecting with Bluetooth .....	181
Connecting to Remote Networks .....	181
Charging with a USB-C Cable .....	182
Undocking the Speaker .....	182
Docking the Speaker .....	182
Buttons .....	182
Actions .....	183
Low Bass Mode .....	185

---

- Lantern ..... 185
- Battery ..... 185
  - Checking Charge Level ..... 185
  - Charging the Speaker ..... 186
- Resetting the Speaker ..... 186
  - Hardware Reset ..... 186
  - Factory Reset ..... 186
- Updates ..... 186
- Cleaning the Speaker ..... 187
- Troubleshooting ..... 187
- Warranty ..... 191
- Customer Service ..... 191
- Air Compressor ..... 192
  - Operating the Air Compressor ..... 192
  - Inflating Tires and Adventure Equipment ..... 192
  - Using the Spray Nozzle for Clean-Up ..... 193
- Field Kit ..... 194
  - Contents ..... 194
- Power Outlets ..... 195
- Front Trunk ..... 197
- Center Display ..... 197
- Gear Tunnel ..... 197

---



---

Truck Bed .....	197
Second-Row Seats .....	197
Vehicle Modes .....	197
Hangout Mode .....	197
Off-Road Equipment .....	198
Features and Capabilities .....	198
Off-Road Package .....	198
Hydraulic Roll Control .....	199
Rock Rails .....	199
Underbody Protection .....	199
Towing and Loading .....	199
Capabilities and Limitations .....	199
Tow Hitch & Hooks .....	200
Towing Modes .....	200
<b>Troubleshooting and Help .....</b>	<b>202</b>
Troubleshooting .....	202
Keys Not Working .....	202
Loss of Power .....	202
Overheating .....	202
System Failures .....	202
Reporting Safety Defects .....	202
Contacting NHTSA .....	202

---

---

Contacting Transport Canada .....	203
Roadside Assistance .....	203
SOS .....	203
Hazard Lights .....	204
Instructions for Vehicle Transporters .....	204
Preparing the Vehicle for Towing .....	205
Loading the Vehicle onto the Tow Truck .....	206
Customer Service .....	206
Customer Engagement Center .....	206
Roadside Assistance 24/7 .....	206
Insurance .....	206
Service 24/7 .....	206
<b>Service and Maintenance .....</b>	<b>207</b>
Service .....	207
EV Safety During Servicing .....	207
Tires .....	207
Tires and Wheels .....	207
Uniform Tire Quality Grading .....	207
Treadwear .....	207
Traction – AA, A, B and C .....	207
Temperature - A, B, and C .....	208
Tire Markings .....	208

---

---

Glossary of Tire Terminology .....	209
Tire Care .....	212
Load Capacity .....	212
Determining the Correct Load Limit .....	212
Tire Inflator Kit .....	213
Full-Sized Spare Tire .....	213
Tire and Wheel Sizes .....	213
Winter Tire Chains .....	215
Tire Pressure Monitoring System .....	215
TPMS Malfunction Indicator .....	215
TPMS Sensor Automatic Learning Process .....	216
Spare Tire TPMS Sensor .....	216
Jacking and Lifting the Vehicle .....	217
Routine Maintenance .....	218
Maintenance Schedule and Record .....	218
Parts & Accessories .....	219
Fluid Capacities .....	219
Filling the Windshield Wiper Fluid .....	219
Fluid Capacities .....	219
Wiper Blades .....	219
Air Filters .....	220
Cleaning .....	220

---

---

Interior Cleaning .....	220
All-Weather Floor Mats .....	220
Exterior Cleaning .....	220
Washing .....	220
Waxing .....	223
Cold Weather Care .....	224
<b>Legal and Reference .....</b>	<b>225</b>
Legal .....	225
Certification Conformity .....	225
FCC and ISED Certification .....	225
Exposure to Radio Frequency Energy .....	226
State-Specific Disclaimers .....	227
California .....	227
Passenger and Off-Highway Motor Vehicles .....	227
Event Data Recorder .....	227
Privacy and User Data .....	228
Quality Control .....	228

## Introduction

### Symbols Used in Owner's

The following are the meanings of symbols used in this Owner's Guide.



#### **DANGER**

Risk of electrocution or electric shock



#### **DANGER**

Risk of major injury such as

- fire
- chemical or poison
- crushing
- maiming
- death



#### **WARNING**

Risk of minor injury



#### **CAUTION**

Risk of

- damage to vehicle
- data disruption
- voiding warranty

## **IMPORTANT**

Instructions to successfully complete a task

### **NOTE**

Useful information

### **Exterior**

[[Exterior photos with callouts]]

### **Interior**

[[Interior photos with callouts]]

#### Driver Display

- Speedometer
- Odometer (including trip information)
- startup/all, driving mode)
- Power & battery meters

#### Center Display

#### Rear Display

- Climate control

## Access, Safety, and Climate

### Opening and Closing

#### Keys

You can use any of the following keys to lock or unlock the vehicle:

- Key fob
- NFC key card
- NFC key wristband
- Mobile application

#### NOTE

To change default settings for locks and keys, see the Settings menu in the Mobile App or in the Center Display.

#### Key Fob

Use the key fob to lock or unlock the doors.

Press the key fob button one time to open, press two times to close:

- Front trunk
- Tailgate
- Windows

#### NFC Key Card

- Tap the NFC key card on the dimple on the exterior driver's door handle to unlock or lock the vehicle.
- [[Within x\_\_\_\_\_? period of time]] Tap the NFC key card on the sensor on the interior trim of the driver door to disable the immobilizer and start the vehicle.

#### NFC Key Wristband

- Tap the NFC key wristband on the dimple on the exterior driver's door handle to unlock the vehicle.
- [[Within x\_\_\_\_\_? period of time]] Tap the NFC key wristband on the sensor on the interior trim of the driver door to disable the immobilizer and start the vehicle.

### **Mobile Application**

- Press the lock/unlock button in the Mobile App to lock or unlock the vehicle.
- [[You can connect up to x\_\_\_\_\_ number of phones to the vehicle?]]

[[The doors automatically lock when you start driving.]]

### **NFC Wristband**

(2 cards provided w/ vehicle)

### **Door Handles (Exterior and Interior)**

Opening and closing the vehicle

#### **Exterior Handles**

- \* Flush Mounted
- \* Self-Presenting (Pivot outward)
- \* Request Switch (all doors)
- \* Key lock cylinder (driver's door only, covered)

#### **Interior Handles**

Pull the grab handles to close the vehicle.

#### **Child Locks**

Mechanical latch requires key to engage

[[Insert picture of location and how to trigger on/off]]

#### **Rear Door Notification**

Reminder to check 2nd row upon leaving vehicle.



## Garage Door Opener

Garage Door Opener RF Based, control via center information display. TBD: Hardware equipped on all vehicles, option via software at time of vehicle purchase or later.

- Universal garage door openers
- RF based

## Seating


### Airbags (Supplemental Restraint System)

This vehicle is equipped with supplemental restraint system (SRS) airbags, designed to protect the driver and passengers from upper and lower body injuries. The airbags supplement the crash protection provided by correctly fastened seat belts. The vehicle is equipped with both an airbag and shoulder seat belts at the driver and front passenger seating positions.

The supplemental airbags are not a substitute for wearing [seat belts](#). All occupants, including the driver, should wear their seat belts even if an airbag is provided. Failure to use seat belts increases the risk of severe injury or death in the event of a crash.

The airbags do not require routine maintenance. If it is necessary to modify the airbag system for a person with disabilities, contact [Rivian Service](#).

### Airbag System Status

Before you drive the vehicle, an airbag status indicator  appears in the driver display for a few seconds during the function check. After the function check, the airbag status indicator turns off.

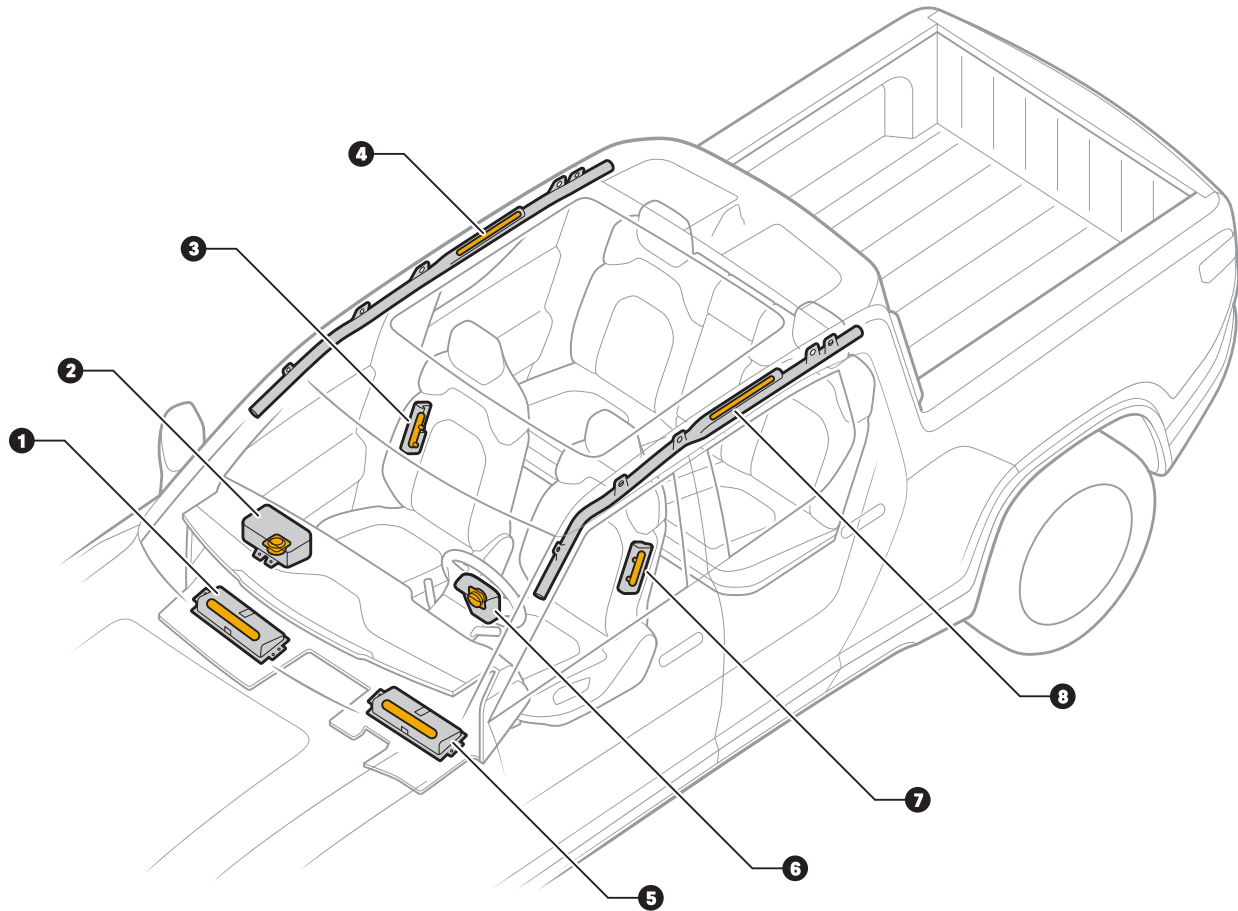
If there is a fault in the airbag system, the airbag status indicator remains on. Contact [Rivian Service](#) for repair.

### How the Airbags Work

The airbag system sensors detect when collision forces reach a certain threshold. If there is significant collision force, the airbags deploy instantly and simultaneously with a loud bang. Not all collisions deploy the airbags. For example, certain rear collisions and lower speed collisions do not deploy the airbags. This does not indicate a malfunction of the airbags.

## Airbag Locations

Following are the locations of the airbag inflators:



Inflator	Description
1	Front passenger knee airbag inflator
2	Front passenger airbag inflator
3	Side airbag inflator
4	Head side curtain airbag inflator
5	Driver knee airbag inflator
6	Driver airbag inflator

Rivian Proprietary & Confidential Draft - DO NOT DISTRIBUTE

Inflator	Description
7	Side airbag inflator
8	Head side curtain airbag inflator

### Driver and Passenger Airbags

The driver and passenger airbags perform the following functions:

Location	Function
Driver and front passenger airbags	The driver and front passenger airbags protect the head and torso from high-impact collisions.
Driver and front passenger knee airbags	The knee airbags work with the driver and front passenger airbags to protect the lower bodies of the driver and front passengers. The knee airbags also help position the driver and passenger to improve the effectiveness of the front airbags.
Head side curtain airbags	The side curtain airbags inflates along the side windows to protect the driver and passengers from a significant side impact or rollover. The curtain airbags inflate from the roof rail between the front and rear seats.
Side airbags	The side airbags inflate from the sides of the driver and front passenger seats. These airbags prevent injury from side impact.

## Warnings

### Maintain Proper Positioning



#### WARNING

- Maintain a distance of at least 10 in (25 cm) between the driver's chest and the driver's airbag, as recommended by the National Highway Traffic Safety Administration (NHTSA).
- Never place a rear-facing child seat in front of an active airbag. The safest place for children 12 years old and under is in the rear seats in a suitable child restraint.

### Objects Can Interfere with Airbags



#### WARNING

- Do not place objects on or near the airbags. Objects in front of the airbags can cause serious injury if the airbags deploy in a severe collision.
- Do not mount equipment or place objects along the interior headliner or on the vertical pillars near the seat belts. Such objects may prevent the side or curtain airbags from deploying in a severe collision.
- Do not install seat covers. Seat covers could prevent the side airbags from inflating.

### Maintain Distance from Side and Curtain Airbags



#### WARNING

Passengers, including children, should not lean against or sleep on the side windows or doors, even if they are in a child restraint. The curtain and side airbags need room to inflate and could cause severe injury or death if passengers are too close to the airbags. Always wear seat belts, even though you have curtain and side airbags.

## Airbag Components May Be Hot After Deployment



### **WARNING**

Some airbag system components such as inflators may be hot after airbags are deployed. To reduced the risk of injury, do not touch the airbag system components after inflation.

## Passenger Seat Occupant Classification System

This vehicle has a passenger seat Occupant Classification System (OCS) that disables the passenger airbag under certain conditions:

- The front passenger seat is unoccupied
- Lightweight objects such as a bag or backpack are on the seat
- A child is seated in a child restraint or booster seat
- The passenger shifts their weight off of the seat
- There is a malfunction in the seat sensor


If the Occupant Classification System senses any of these conditions, the passenger airbag off indicator appears in the driver display.



## Deployed Airbags

You will not be able to operate the vehicle after airbags are deployed. An internal safety device automatically shuts off the high-voltage system when the airbags are deployed. The vehicle will need to be towed to a repair shop and then repaired to drivable condition.

## NOTE

The vehicle is equipped with a side curtain airbag on both the driver and passenger side. In the event of a rollover accident where an airbag deploys, the airbag malfunction indicator  lights up in the instrument cluster panel of the driver display. Contact [Rivian Service](#) to have the vehicle serviced.

## Questions-

[[Can an owner ask Rivian to modify a passenger airbag for a person with disabilities or can an owner ask to disable the airbag for other reasons? This is a regulatory requirement: "S4.5.1.f (2), (viii) Information on how to contact the vehicle manufacturer concerning modifications for persons with disabilities that may affect the advanced air bag system."]]

## Seats

### Driver & Passenger Seat

- Adjustments (8 Way Power + 4 Way Power Lumbar): Slide (2-way), recline (2-way), tilt (2-way), lift (2-way), lumbar (4-way).
- Driver and passenger lumbar adjustment is included in the Launch Edition and Adventure package.
- Driver lumbar adjustment is included in the Explore package.
- Heated and ventilated
- Folding
- Under-seat storage  
[[Note: the maximum weight capacity of the under-seat storage drawer is approximately 230g (0.5 lb)]]

### Second-row seats (for R1S and certain R1T models)

Both the second and third row (R1S) fold nearly flat to about 3°.

### 9-Module Battery

- Rear Seat Seating Capacity: 3
- Rear Seat Feature: Fixed Seat back, 60/40 split flip forward cushion
- Rear Seat Feature: Fold down center armrest with cup holders (x2) with removable liner and storage compartment
- Access to gear tunnel behind armrest (PCCR-771)

- [Seat LATCH restraint system](#)
- Heated (lower cushion only)
- Folding (& moving??)

### 12-Module Battery

- Rear Seat Seating Capacity: 3
- Rear Seat Feature: 100% Fixed Cushion (Does not flip forward)
- Rear Seat Feature: Fold down center armrest with cup holders (x2) with removable liner and storage compartment
- Access to gear tunnel behind armrest (PCCR-771)
- [Seat LATCH restraint system](#)

### Seat Belts



## WARNING


To avoid risk of injury or death from sudden stops, collisions, or improper usage, do the following:


- Use one seat belt per person.
- Fasten seat belts before the vehicle starts to move to avoid risk of injury from sudden stops or collisions.
- Ensure that all belts are fastened securely.
- Ensure that the seat belt isn't worn twisted or reversed.
- Wear the seat belt so that it rests over the shoulder without touching the neck. Don't route the belt webbing behind your back.
- Wear the lap belt as low as possible on your hips.
- Sit well back in the seat and in an upright position.
- Don't tamper with or make modifications to the seat belt that will prevent it from taking up slack, such as using "comfort clips." A slack seat belt could significantly reduce the effectiveness of the shoulder belt in an accident.
- Take care handling the metallic tongue plate of the seat belt if it has become very hot in sunny weather.



- Inspect, service, and replace all seat belt parts that were used if the vehicle has been in a serious accident, even if there isn't any visible damage.

## NOTES

The seat belt reminder indicator  lights up in the instrument cluster panel of the driver display if the seat belt is unbuckled for a seat with an occupied driver or passenger. If the seat belt light stays on without an occupant in the seat, check that no heavy object is placed on the seat.

The vehicle is equipped with a side curtain airbag on both the driver and passenger side. In the event of a rollover accident where an airbag deploys, the airbag malfunction indicator  lights up in the instrument cluster panel of the driver display. Contact [Rivian Service](#) to have the vehicle serviced.

## Children

Children should be in the rear seats and properly restrained in a child seat appropriate for their height and weight.

If the child is too big for a child seat, they can be restrained using the seat belt. For proper fit, the shoulder portion of the belt should cross to the child's front and not to the face or neck. The lap portion of the belt should be secured as low as possible on the hips and not on the child's waist. See also [Child Seats](#).



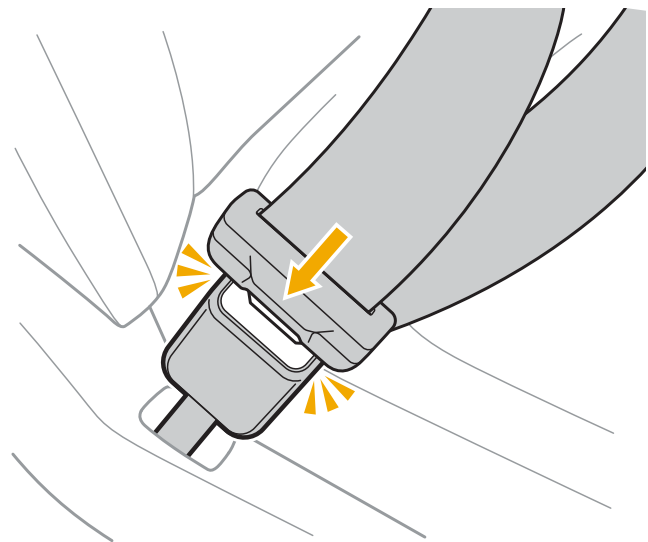
### Expectant Mothers

The lap belt should be worn securely and as low as possible over the hips and not over the waist. The shoulder belt should be worn between the breasts and to the side of the abdomen.



### Fasten Seat Belts

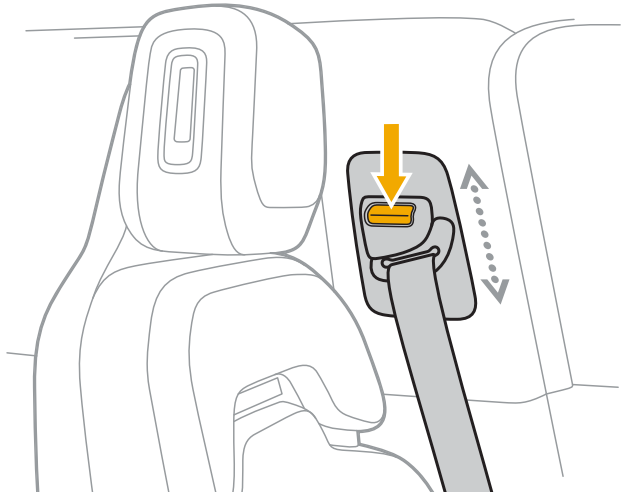
1. Adjust the seats to an upright position.
2. Sit with your back and hips against the back of the seat.
3. Hold the tongue plate and pull the belt toward the buckle. Avoid twisting the seat belt, and quick or jerky movements to prevent the belt from locking up.
4. Insert the tongue plate into the buckle until it clicks.



5. Adjust the lap belt to be as low as possible on the hips.



6. Press and hold the shoulder anchor button and slide it up or down to adjust the shoulder belt height.



## WARNING

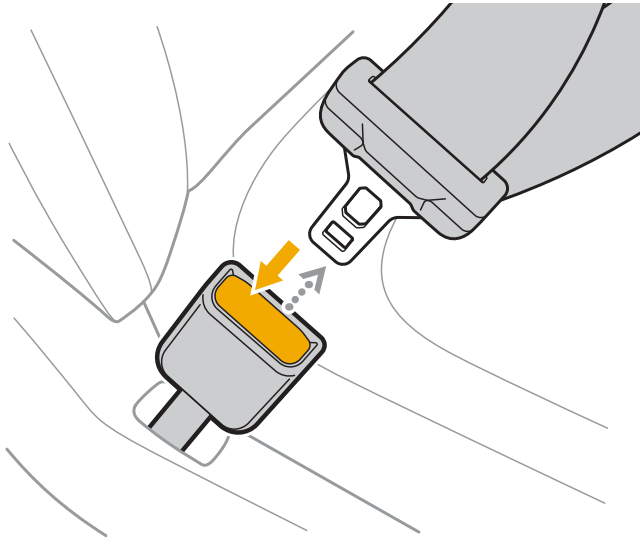
The belt webbing should pass over the middle of the shoulder and across the chest without touching the neck. The seat belts aren't meant to be used with any webbing tension-relieving devices such as comfort clips. Wearing the belt



in an improper position or introducing slack to the belt could significantly reduce its effectiveness in an accident.

### Unfasten Seat Belts

1. Press the release button on the buckle.
2. Allow the seat belt to retract slowly to avoid any twists.
3. Ensure that the belt has fully retracted to avoid closing the door on the belt or tongue plate.



### Seat Belt Pretensioners

The driver's and front passenger's seat belts come with pretensioners that will activate along with the airbags during accidents that involve force to the front and sides of the vehicle, including rollover accidents. The pretensioners will activate to remove slack in the seat belt during an accident to effectively restrain the occupants. The pretensioners are not designed to activate in minor impacts.

If the pretensioners have been activated or are malfunctioning so that the seat belts cannot retract or pull out, the airbag indicators will appear in the instrument cluster.



Contact the [Rivian Service](#) to have them serviced.



## CAUTION

Modifications or front-end attachments to the vehicle such as bars, winches, or snow plows may affect pretensioner sensors. Don't modify the vehicle with parts not approved by Rivian.

### Seat Belt Maintenance

Use mild soap with water and a soft cloth to clean surface stains on the seat belt. Inspect the seat belts periodically for signs of damage, including wear and tear. Contact the [Rivian Customer Engagement Center](#) to service the seat belts.

Don't use bleach or other harsh substances to clean the belts since this can affect their strength and performance. Don't make modifications to the seat belts that would prevent them from properly operating.

### Headrests



## WARNING

All occupants, including the driver, should not operate a vehicle or sit in a vehicle's seat until the headrests are placed in their proper positions in order to minimize the risk of neck injury in the event of a crash.

### Front Seat Headrests

The driver's seat and passenger seat are equipped with integrated headrests. The integrated headrests are not adjustable. Adjust the seat to the proper position before operating the vehicle.

{Graphic - side view of proper position and angle relative to occupant's head- possibly add an image of the seat controls. The seat should not be reclined more than 20 degrees. Make sure the shoulder belt sits firmly across your chest and shoulder. Do not operate the vehicle if there is a gap between the seat belt and your chest}

## Rear Seat Headrests

The rear seats are equipped with integrated headrests. The integrated headrests are not adjustable.

## Child Seats



### DANGER

- The United States requires that infants and small children be seated in an approved and appropriate child seat at all times while the vehicle is in motion.
- Properly secure the child seat before the vehicle is in motion, even if the child seat is unoccupied since an unsecured child seat can injure passengers.
- Do not install a child seat in any of the front seats to avoid serious injury and death to the child from the deployment of the SRS airbags. According to accident statistics, children are safer when properly restrained in the rear seating positions than in the front seating positions.
- Children could be endangered in a crash if their child restraints are not properly secured in the vehicle.
- The metallic tongue plate of the seat belts can become very hot in sunny weather. Check that they are not too hot before seating a child and using the seat belts.



### WARNING

- A Rivian ID (user profile) can automatically move the seat to a desired position. Ensure that the front seats maintains a safe and comfortable seating position for the occupants, but that it does not impact the child seat or a child sitting directly behind.
- Avoid dressing children in bulky clothing since this may reduce the effectiveness of the restraint system.
- Do not leave a child unattended, even if secured in a child seat.



- Do not use a child seat that has been involved in a collision, even if it does not show any sign of damage.

All child restraint systems are designed to be secured in vehicle seats by the following:

- Lap belts
- Lap belt portion of a lap-shoulder belt
- Lower and tether anchorages (LATCH/ISOFIX)

### **Choosing a Child Seat**

Children should be in the rear seats and properly restrained in a child or booster seat appropriate for their height and weight. Use a child seat that meets the Federal Motor Vehicle Safety Standards (FMVSS) and is appropriate for the child's age, height, and weight. Also check child seat usage recommendations with local and state laws, the American Academy of Pediatrics (AAP), and the National Highway Traffic Safety Administration (NHTSA). Compliance documentation can either be found on a sticker affixed to the child seat, or in the instructions included with the seat. Follow the child-seat manufacturer's instructions when installing a child seat in the vehicle, including whether the seat is compatible with the vehicle in which it will be installed.

### **Installing a Child Seat**

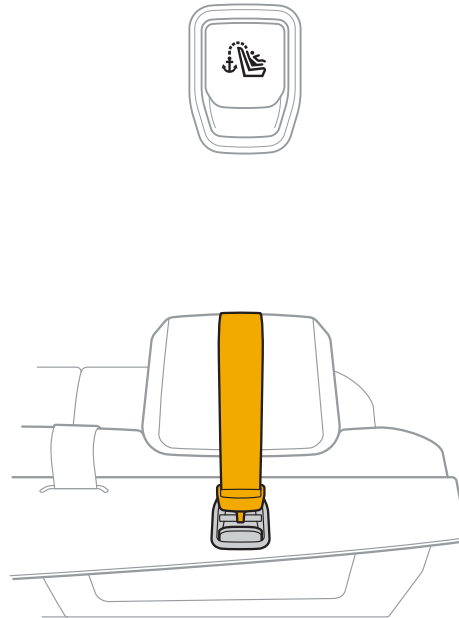
Follow the state and seat manufacturer guidelines for whether to install the child seat rear- or forward-facing. These rules are often based on the child's age, weight, and height.

If a child seat cannot be installed securely in the rear-center seating position due to seat size, space limitations, or seat contours, install the child seat on either side positions of the outboard seats near the windows. The rear-center seating position may best accommodate a smaller booster seat or an infant bucket seat with a bottom base that fits snugly against the contours of the seat cushions. These types of child seats should be secured with a snug fit with the vehicle's seat belt.

1. Position the child seat either rear-facing or front-facing on the vehicle's seat.

## IMPORTANT

If the forward-facing child seat requires a top tether, latch the hook into the tether anchor behind the seat and tighten the belt.



2. Run the vehicle's seat belt through the belt path as instructed by the child seat manufacturer instructions.

### NOTE

If installing a seat base that accompanies an infant bucket seat, you may need to clip the seat belt in place with the belt lock-off as directed by the seat manufacturer.

3. Insert the tongue plate of the seat belt into the buckle until it clicks.
4. Pull on the lap belt to take up the slack and ensure a tight fit.
5. Pull out the shoulder belt fully from the retractor and then allow the belt to rewind. The belt will lock in place as it retracts.
6. Push the child seat down and toward the back cushion of the vehicle seat, taking out as much slack from the seat belt as possible.

## **IMPORTANT**

Install the child seat snugly so that its base at the belt path cannot move more than 1 in (2.5 cm) from side to side. Ensure that the seat is firmly secured before driving the vehicle.

### **Installing Child Seats with LATCH**

LATCH (Lower Anchors and Tethers for Children) or ISOFIX is a child seat installation option allowing child seats to be installed without using the vehicle's seat belts. Instead, the child seats are secured to dedicated anchorage points on the vehicle seats.

Only use the LATCH system to install child seats in accordance to the manufacturer recommendations, including considerations to the child's weight and height. Follow instructions on child seat spacing with LATCH installation. Do not use LATCH in addition to the seat belt installation method. For forward-facing installation, LATCH can provide more stability with the top tether anchorage since it has an additional connection point between the child seat and the vehicle.

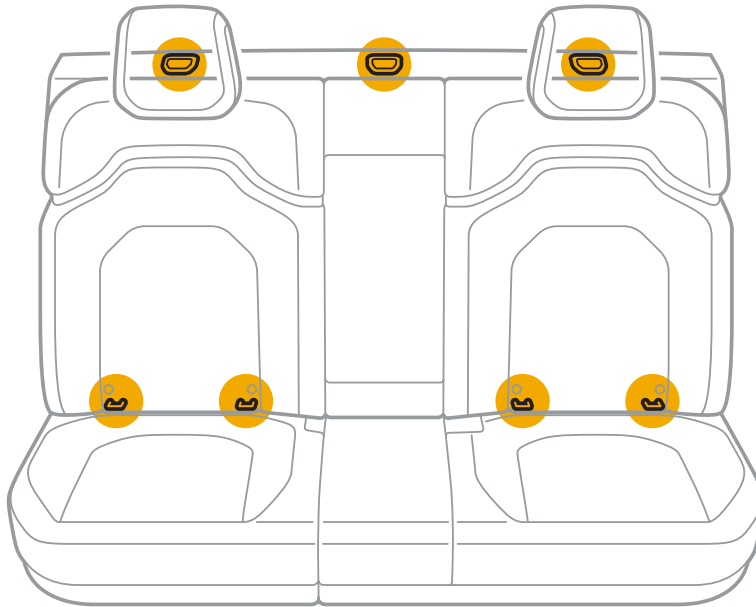
### **NOTE**

In the Rivian vehicle, only the two outboard seats support LATCH installation, while the middle seat is meant to be used with a seat-belt-retained seat.

### **LATCH Seat Configuration**

The R1T second-row seats comes with three upper (tether) anchorages and four lower (bar) anchorages, two for each outboard seat.





The lower anchorages are marked by this symbol:



They are located between the seat cushion and seat back.

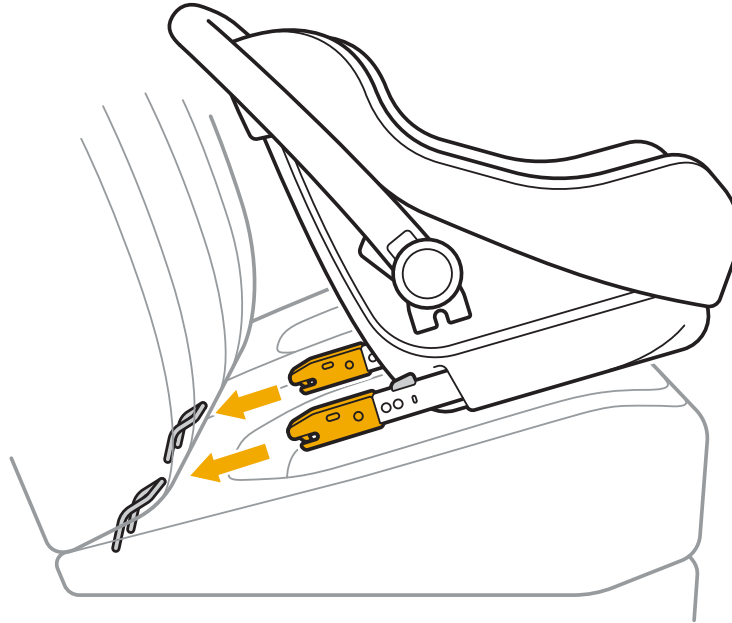
The upper anchorages are marked by this symbol:



They are located on the rear shelf directly behind the seats.

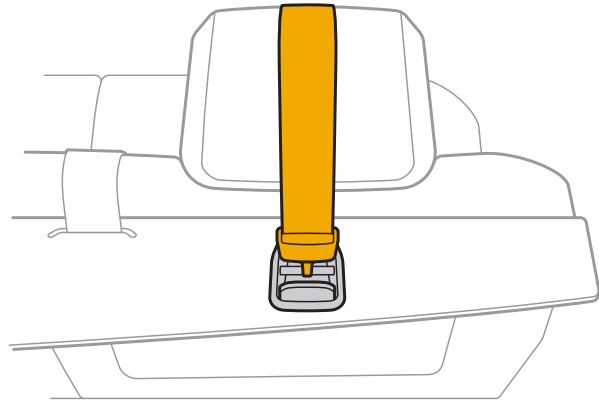
1. Position the child seat between the two lower bar LATCH anchorages corresponding to where you are installing the child seat.

2. Connect the lower hooks of the child seat to the lower bar anchorages located in between the seat cushion and seat back. Avoid twisting the LATCH straps or snagging the vehicle seat belt.

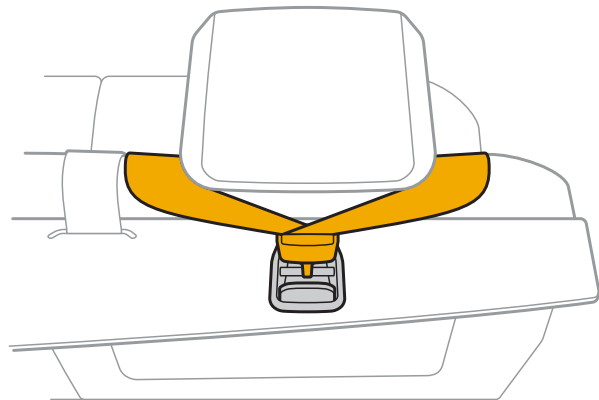


3. If your child seats come with tether belts, be sure to pull on the tethers to tighten any slack, while pushing the child seat into the bottom and back cushions of the vehicle seat for a tight fit.
4. Attach the top tether hook to the appropriate top anchorage point and tighten the belt to take out any slack.

- **Single-tether configuration:** Route the top tether belt over the center of the headrest.



- **Double-tether configuration:** Route the two top tether belts to either sides of the headrest, wrapping the belts as close as possible to the headrest without twisting them.



### Installing the Lower Anchorage Guide

Your vehicle comes with sets of lower anchorage guides. These anchorage guides make the lower LATCH anchorage points more visible and hold open the cushions, letting you use less force to clip on the child seat lower anchors.

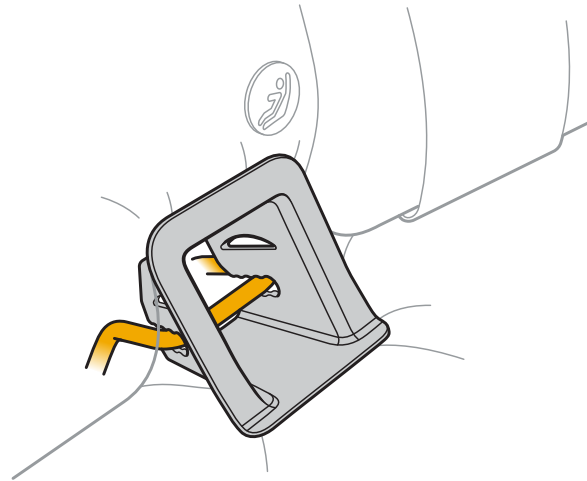
1. Find the two lower anchorage markers corresponding to where you are installing the child seat. The lower anchorage bars are located in between

the seat cushion and seat back.

2. Grip the square frame of the anchorage guide on both sides and push the part onto the lower anchorage bars until the guide sits securely in place.

**NOTE**

To remove the anchorage guide, grip the square frame on both sides and pull it straight out.



**Installing a Booster Seat**

1. Position the booster seat in the front-facing position on the vehicle's seat and place the child well back into the booster seat.
2. Run the vehicle's seat belt through or around the booster seat and the child in accordance with the instructions that come with the booster seat. Ensure that the seat belt is not twisted or reversed.
3. Insert the tongue plate of the seat belt into the buckle until it clicks.
4. Check that the shoulder belt rests over the child's shoulder without touching the child's neck, and that the lap belt is as low as possible on the hips.





## **WARNING**

A high-positioned lap belt may increase the risk of injury to the abdomen, or the chance that the child may slide under the belt, in the event of a collision or sudden braking. Do not allow children to wear the shoulder belt under the arm or behind the back.

### **Removing a Secured Child Seat**

1. Press the release button on the buckle.
2. Guide the seat belt out of the belt path of the child seat.
3. Allow the seat belt to fully retract to avoid any twists. Once the seat belt has returned to its fully retracted position in the retractor, the seat belt returns to normal function, and the locking mechanism is deactivated.

### **NOTE**

For child seats installed with LATCH, reverse the procedures of LATCH installation to remove the seat. See manufacturer instructions for the child seat for additional details.

### **Automatic Locking Retractor (ALR)**

The Automatic Locking Retractor causes the seat belt to lock up when pulled very quickly. ALR can be used to secure a child seat.

#### **Activating ALR**

1. Draw out the seat belt completely.
2. Retract the seat belt to the desired length to activate locking the seat belt in that position. Once locked, the seat belt cannot be extended further.

#### **Canceling ALR**

Restore the seat belt to normal function by unbuckling and retracting the seat belt fully. Cancel ELR when removing a child seat.

## NOTE

ALRs are different from Emergency Locking Retractors (ELRs), which are designed to allow occupants to move freely once the seat belt is buckled, but lock up in the event of an accident. ALRs are only equipped on passenger seats.

## Mirrors

### Windows

- Driver's Door: Hard window switches for all 4 power windows + Window Lockout.
- Front Passenger Door: Hard window switch.
- Rear Passenger Doors: Hard Window Switch.
- One touch up/down for all windows.

Remote closing via keyfob and app

Opening, closing, remote control with key fob or app, child safety features

### Front Side Glass

- Full power, full drop, solar absorbing, acoustic laminate, no tint

### Rear Side Glass

- Full power, full drop, tempered with privacy tint

### Electric Windshield De-Icer Elements

- At wiper park position and camera area

Electric rear window defroster

## Side-View Mirrors

Adjusting and folding

The side mirrors have the following features:

- Auto Dimming
- Power Folding
- Power Glass Adjust with Memory
- High Gloss Arm and Base
- Body Color Cap
- Puddle Lamps
- Integrated Turn Signals
- Blindspot indicator
- Surround View Camera
- Heated Mirror

### Rearview Mirrors

The rearview mirror is auto-dimming.

### Toll Devices

Placing RFID transporters (e.g., FastTrack)

## Lights

### Exterior Lights

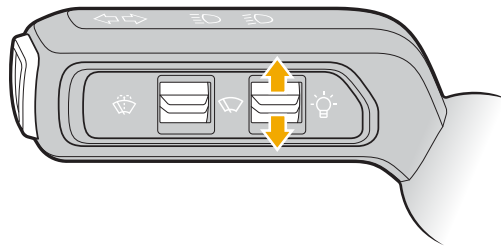
- **Headlights:** Headlights at the front of vehicle cast a wide beam for better visibility.
- **Taillights:** Red lights at the rear of vehicle help ensure visibility of the vehicle for other drivers at night.
- **Turn signals:** Amber front turn signals and red rear turn signals alert other drivers that the vehicle is making a turn or changing lanes.
- **Brake lights:** Red light strip above the rear window alert other drivers that the vehicle is slowing or stopping.
- **Fog lights:** Front fog lights are low and angled to the ground to help you see the road better in foggy weather. Rear fog lights help ensure visibility of the vehicle for other drivers in foggy conditions.
- **Front and rear side markers:** Lights and reflective markers help ensure visibility of the vehicle for other drivers from the side, day or night.
- **Rear backup lights:** White lights at rear of vehicle alerts other drivers that the vehicle is backing up.
- **Position lights:** Exterior lights alert other drivers to the vehicle's presence.

- **Entry lights:** Rivian logo projects onto the ground in front the doors to enhance safety and visibility as you approach the vehicle.
- **Hazard warning lights:** Front and rear turn signals flash to alert other drivers that a hazard or emergency may exist.

### Controlling the Headlights

Use the lights switch on the left stalk to control the headlights, taillights, and fog lights. Auto is the default setting. Lights operate automatically when sensors detect that it's dark outside.

- Push the lights switch up to select a higher setting and enable more lights. Hold the lights switch up to scroll up.
- Push the lights switch down to select a lower setting and turn off lights. Hold the lights switch down to scroll down.



The driver display shows the lights enabled.

Lights + All Fog Icon needed

Lights + Front Fog Icon needed

Lights



Position Lights



Auto (default)

Icon needed

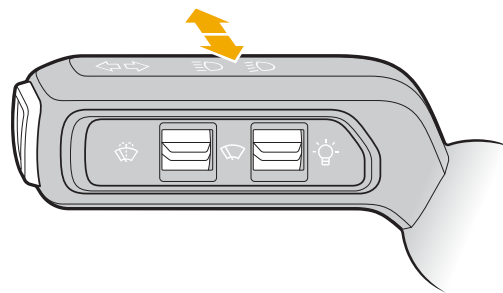


Off                      Icon needed

### Using the High Beams

Use the drive stalk on the left side of the steering wheel to turn on the high beams. This increases visibility in dimly lit areas.

- Pull towards you to turn on High Beams temporarily. Release to turn off.
- Push away from you to turn on High Beams. Push away again to turn off. High beams only stay on when low beams are already turned on.
- Push away from you and hold for 2 seconds to turn on Auto High Beams. Push away again to turn off. Auto High Beams temporarily turns off high beams while another vehicle is approaching.




### CAUTION

Auto High Beams is a driver aid. Ensure High Beams are appropriate for weather and driving conditions.

High Beams

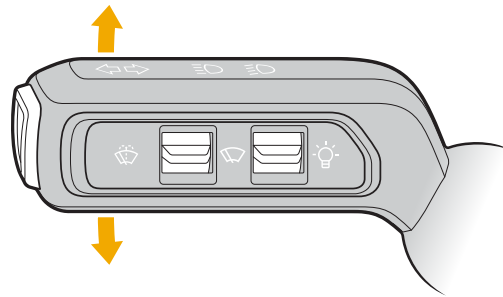


Auto High Beams 


### Using the Turn Signals

Use the drive stalk on the left side of the steering wheel to control the turn signals.

- Push the drive stalk up indicate a right turn.
- Push the drive stalk down to indicate a left turn.



### Turning on the Hazard Warning Lights

Press the **Hazard Warning Lights**  button on the overhead console to turn on the hazard warning lights. Press again to turn off. See also [SOS](#).

### Interior Lights

Ambient lights provide functional illumination in the following areas:

- Front foot wells
- Front door map pockets
- Rear door map pockets
- Inside the front center console
- Outside console under cup holders, illuminating open front console area

Decorative lights are located in the following areas:

- Instrument panel trim
- Front door trim
- Rear door trim

Reading lights are located in the following areas:

- Overhead console between the driver and passenger seats
- Sides of the second row outboard seats

Cargo bed lights mounted in each side wall illuminate gear and cargo when the tailgate is open. Use the center display to change the cargo bed lights settings.

### Flashlight



Use the switch to turn power on or off and change the brightness settings. There are three settings.

Brightness	Distance Visible	Time before Recharge
1000 lumen	200 meters	2 hours
350 lumen	120 meters	7 hours
60 lumen	50 meters	18 hours

Return the flashlight to its storage location in the front passenger door to recharge. It takes 2.5 hours to fully recharge.

### NOTE

To replace the rechargeable battery, contact Rivian.

- Is there an accessory charger? Post SOP  
Will the flashlight ship with the vehicle or separately to save weight? With vehicle, TBD with welcome kit.  
Will it be available after-market? Post SOP  
Will it need a standalone Owner's Guide? TBD

## Climate

### Climate Control Options

- How to select options for the climate control system.
- Quad Zone automatic temperature, humidity, air recirculation, auto/manual vents & blower fans
- Automatic humidity control
- Re-circulation and fresh air control
- Cabin pre-conditioning (control via "Internal User Interface" and "Mobile Application")
- Ability to turn on climate control remotely prior to entering vehicle, if applicable.
- Auto/manual vent control
- Auto/manual blower fan control
- Cabin purification

To extend range, features such as cabin pre-conditioning can't be turned on if there is less than 30 miles (50 kilometers) of range remaining.

### Seat Climate Control

Seat climate controls (heating & cooling/ventilation)

Heated and ventilated seats are included in the Launch Edition and Adventure package. The Explore package includes heated seats.

(See also, "Seats")

### Heated Steering Wheel

(see also, "Driving Controllers")

## Sun Visors

The sun visors can be adjusted the following ways:

- Flip up / down
- Rotate outward /inward
- Telescope / slide

With the sun visor in the down position, flip open the cover for illuminated vanity mirrors.



## Roof

Tint glass, removable panel

Glass roofs - adjust light penetration (from interior)

Rivian vehicles have a fixed, tinted all-glass panoramic roof.

[[Joe Brown is the contact for roof]]

**Defrost**

Electric de-icer

Rear window defroster

## Audio and Phone

### Audio

#### Surround Package (standard)

Standard surround sound is included on the Explore package.

- Soft dome Tweeter (4x)
- Base Midrange speaker in dashboard (2x)
- Base door woofer (4x)
- Base amplifier 10 channel with basic sound modes
- Chime and SOS speaker
- Expanded metal grill

AM/FM/HD radio

Amazon music

Acoustic Vehicle Alerting System (AVAS)

#### Rivian Elevation 360-Degree Audio (upgrade)

Rivian Elevation 360° audio is included with the Launch Edition and Adventure package.

---

## Alexa

### Overview & Setup

Alexa supports basic vehicle controls, vehicle status, and media, even if you don't have an Amazon account. Use Alexa to control nearly anything managed by the display screens with your voice.

For a fully personalized experience and more Alexa capabilities, log into your Amazon account by following the steps in the Settings menu on the center display. Your car must be parked in order to go through the sign-in process. Once logged in, you can access your calendar, make a phone call to contacts by name, or drop in to any Alexa-supported home devices.



Invoke Alexa by saying the wake word, "Alexa."

### NOTES

- You can sign out of your Amazon account at any time through the Settings menu on the center display.
- Visit Amazon's website to learn more about how Alexa uses your personal information.
- For your privacy, Alexa, is disabled when the vehicle is in guest mode.

### Opt-Out and Mic Off

Alexa is the only supported voice assistant in Rivian vehicles. You can disable the wake word in the Settings menu on the center display. Once the wake word is disabled, you can invoke Alexa by pressing the left thumbwheel on the steering wheel.

If the wake word is enabled, you will see the Alexa icon  at the top status bar of the center display. If disabled, you will see the mute icon .

[[Insert Alexa Active and Alexa Mute icons]]

### Things You Can Ask Alexa

You can invoke Alexa to perform basic car controls, such as the following:



- 
- 'Alexa, turn down the air'
  - 'roll down the windows'
  - 'open the front trunk'

The "Things to try" option on the center display suggests phrases that you can try with Alexa. You can cycle through different category features to learn about Alexa's capabilities and recognized commands.

## Mobile Device Support

### Pairing Bluetooth

The vehicle can connect Bluetooth devices such as phones, headsets, or speakers.

### Connecting to a Bluetooth Device

1. Go to the **Bluetooth** icon and the vehicle will search for available Bluetooth devices, or you can turn off Bluetooth.
2. When the vehicle displays a list of available Bluetooth devices, choose the device you want and add it.
3. Confirm the device code on your Bluetooth device and pair it with the vehicle. The vehicle saves your Bluetooth device so you won't have to pair it again.

### Bluetooth Settings

To access the Bluetooth settings, go to the **Bluetooth** icon > **Bluetooth Settings**, or go to **App Tray** icon > **Settings** icon > **Connect** > **Bluetooth Audio**.

[[Figma design says Bluetooth Audio instead of Bluetooth. Need to check the final wording in the final design. For now, state Bluetooth Audio.]]

If you have saved Bluetooth devices, go to the **More** icon for the following options:

- Turn on or off [settings](#), including Phone Calls, Contacts, Media Audio, and Text Messages.
- Disconnect a saved Bluetooth device.
- Remove any Bluetooth device you no longer want to save.

[[The "settings" link goes to the Smartphone Integration topic.]]

---

## Connecting Wi-Fi

The vehicle uses a Wi-Fi connection to deliver the following:

- Infotainment (music or video streaming)
- Maps and navigation
- Live traffic displays

The vehicle automatically prefers Wi-Fi connectivity over cellular connectivity unless you turn off Wi-Fi.

## Connecting to a Wi-Fi Network

1. Go to the **Wi-Fi** icon and the vehicle searches for available Wi-Fi networks, or you can turn off Wi-Fi.
2. When the vehicle displays a list of available Wi-Fi networks, choose the network you want your vehicle to join.
3. If the network requires a password, enter it using the keyboard that appears on the center display. Your vehicle automatically saves the password so you won't have to enter again.
4. If the network you want isn't listed, choose to manually enter the network settings:
  - Network name
  - Security type
  - Password



### CAUTION

If a network is unsecured, the vehicle will notify you that the network may be a security risk.

## Wi-Fi Settings

To access the Wi-Fi settings, go to the **Wi-Fi** icon › **Wi-Fi Settings**, or go to **App Tray** icon › **Settings** icon › **Connect** › **Wi-Fi**.

[[Wi-Fi with a hyphen.]]

---

If you have saved Wi-Fi networks, you can select a network to automatically join or remove any network you no longer want to save.

For security purposes, you can restrict Wi-Fi access when the vehicle is in valet mode.

[[Is valet mode SOP? If not, delete the valet mode sentence.]]

## Cellular Connectivity

Your vehicle comes with a 6-month, free trial subscription for cellular service to deliver the following:

- Infotainment (music or video streaming)
- Maps and navigation
- Live traffic displays
- In-vehicle Wi-Fi hotspot
- Software updates for the vehicle

You will be notified before the trial subscription ends, and you can use your *Rivian* account to choose a cellular service plan that meets your needs.

[[Check to see if the notification is through email, the Rivian account, mobile app, and/or center display.]]

## Wi-Fi Hotspot

The Wi-Fi hotspot is disabled by default. Enable it in the vehicle or mobile app if you want your devices to have internet access using the Wi-Fi hotspot.

[[Check to see if you can enable the Wi-Fi hotspot via the vehicle and mobile app, or if you have use your Rivian account.]]

Go to the **Cellular** icon. If the Wi-Fi hotspot is on, the vehicle displays the password and a list of connected devices. You can turn on or off the Wi-Fi hotspot.

## NOTE

Enter the password on your device to connect it to the Wi-Fi hotspot.

To access the Wi-Fi hotspot settings, go to **Hotspot Settings**, or go to the **App Tray** icon › **Connect** › **Hotspot**.

---

To change the name of your hotspot, enter the new name. Check the center display for a message to set up the hotspot for your vehicle.

If your devices lose connection to the Wi-Fi hotspot, check the center display for messages.

## NOTE

Cellular service is supported in certain countries. If the vehicle is roaming outside of its coverage plan area, cellular service isn't available or is available only for a certain time period. Check your *Rivian* account for messages.

[[Don't specify country names or time period since these can change.]]

[[Check to see if the mobile app will show these messages.]]

## Phone Call

If your phone is paired to your vehicle using Bluetooth, you can use the center display to handle phone calls.

### Receiving a Call

When you receive a call, answer or decline an incoming call.

If you're on a call and you have an incoming call, do one of the following:

- End your current call and accept the incoming call.
- Put your current call on hold and accept the incoming call.

If you have two calls in parallel, you can switch between them, merge calls, hang up, or mute your microphone.

### Making a Call

When you make a call, you have options:

- Hang up.
- Dial the keypad to make another call or navigate a phone tree.
- Mute your microphone.

- 
- Choose the **More** button to add another contact to the call (creating a conference call) or make a new call (creating a parallel call).

[[Are there any phones or cellular networks that don't support parallel or conference calls? If so, then add a note mentioning that the capability for parallel or conference calls depends on the phone and cellular network.]]

## NOTE

If Alexa is active, you can use Alexa to make a call.

## SOS or Emergency Calls

If you press the SOS button or if emergency services calls you, the vehicle automatically connects the SOS or emergency call and ends any other call.

[[Figma design file states Roadside Assistance is post-SOP. Check on Roadside Assistance later just in case.]]

## IMPORTANT

- SOS or Emergency calls don't require a Bluetooth-paired phone.
- If you accidentally press the SOS button, the center display shows how many seconds you have to cancel the call.

## *Rivian* Mobile App

The *Rivian* mobile app is the primary key to your vehicle and provides many capabilities, including the following:

- Lock or unlock the vehicle doors or compartments
- Prepare your vehicle so it'll be at a comfortable temperature when you enter
- Manage the driver profiles authorized to access your vehicle
- Manage charging
- Manage vehicle software updates

[[Check to see if these capabilities are available at SOP]]

---

[[Is there any information we need to include about how to pair the app with the in-vehicle experience? Would Rivian ID or some other aspect be part of this?]]

Download the mobile app from the App Store or Google Play Store.

## Smartphone Integration

When you pair your phone to your vehicle using [Bluetooth](#), you can choose to turn on the following:

- Phone Calls
- Contacts
- Media Audio
- Text Messages

If you install the [Rivian mobile app](#) on your phone, you can remotely manage various vehicle features.

[[The "Rivian mobile app" link goes to the Mobile App topic.]]

### Phone Calls

Use the center display to handle [phone calls](#) for you.

[[The "phone calls" link goes to the Phone Calls topic.]]

### Contacts

Choose the **Favorites** button to display a list of favorite contacts.

Choose the **Keypad** button to display a keypad to dial.

Recent calls are displayed at the top of the Contacts list.

Search for a contact or select a letter from the alphabet column to display the list of contacts whose name starts with that letter.

For any contact, choose the **More** button to display a list of phone numbers and addresses associated with that contact. You can also add any contact to the list of favorite contacts.

---

## NOTE

If Contacts is turned off, turn on Contacts in the [Bluetooth](#) settings or select another Bluetooth device to access the Contacts for that device.

[[The "Bluetooth" link goes to the Pairing Bluetooth topic.]]

## Media Audio

Stream audio, such as music or podcasts, from your phone to the vehicle.

## Text Messages

Access your text messages, write new messages, or delete old messages using the center display.

## Updates

When a software update is available for your vehicle to add new features or improvements, it is delivered Over the Air (OTA). The vehicle will download an update over Wi-Fi, if available, or a cellular connection. You can read the update details and choose the time period when the vehicle will install an update.

[[Should it be mentioned that we (Rivian) pay for cellular data usage by OTA updates?]]

These are the types of software updates:

- New and improved features - You can delay the update by a certain time period.
- Important feature improvements - You can slightly delay the update.
- Emergency improvements - An emergency software update can't be delayed.

## Software

The vehicle will notify you of a software update, or you can view the Software screen. Go to **App Tray** icon > **Settings** icon > **Software**.

## Available Software Update

If there is a software update available, the vehicle displays status information, such as the following:

- 
- Version number of the software update
  - Date and time of its planned installation
  - Estimated time it takes for installation
  - Completed percentage of the download, if a download is in progress

If a new software version is ready, your vehicle will try to install it during the time period you choose and notify you some time before an update begins.

## IMPORTANT

To properly update the software, ensure that the vehicle meets the following conditions:

- The vehicle is parked.
- The doors are closed.
- The battery is sufficiently charged.

If the vehicle doesn't install the software update, check the center display for messages.

### Emergency Updates

If the vehicle notifies you of an emergency software update, prepare to park the vehicle immediately.

When parked, the vehicle will install the update immediately after the download is complete.



## CAUTION

If the vehicle can't install the emergency software update, it requires immediate service and can't be driven. Check the center display for messages.

### Device Charging

Outlets:



- 
- Four 110V
  - Three 12V

### Charge Ports (USB-C)

USB, power sockets available in the car

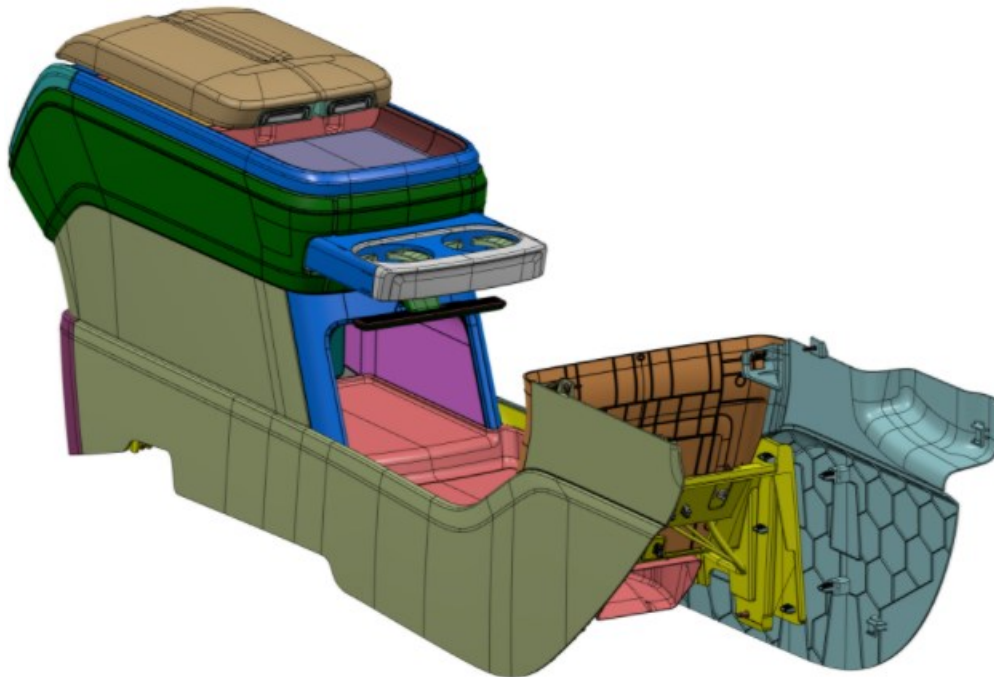
### Wireless Charger

Once the vehicle is powered on, you can charge your phone and other rechargeable, battery-operated devices on the high-speed wireless charger located on upper tray of the center console. Place the phone face-up on the charger to begin charging. You'll see an active charging icon on your device if this is a supported feature, as well as a small "charging" visual indicator on the center display. Charging times may vary depending on the device, but it takes around 2-3 hours to fully charge a depleted phone.

The charger is designed to work with phones encased in most standard phone cases.

### NOTE

You may hear a fan noise as the wireless charger is cooling while it is actively charging.



---

While you can charge two phones at the same time, the charging pad is designed to work best simultaneously charging a phone and another small item such as ear buds.

The charging pad has a temperature sensor and will stop charging if a device or environment is too hot.



## CAUTION

To avoid damage to the charging pad, don't put metallic or magnetic objects on the pad. The charging pad is only meant to hold a compatible device with a rechargeable battery, such as a phone. Don't leave items such as NFC or credit cards on the pad, which can prevent the device from charging.

### Troubleshooting

If This Happens	Try This
Device is too hot	Remove the device from the charger, wait for it to cool down, and try charging again later.
Wireless charger sensor doesn't detect compatible device	<ul style="list-style-type: none"><li>• Remove the device from the charger, wait a few seconds, and place the device back on the pad.</li><li>• Slowly move the device around the charger to find proper positioning for charging.</li></ul>
Device won't charge	<ul style="list-style-type: none"><li>• Ensure that the device is a 1.2.4 qi-compatible device (iPhones, Android phones, earbuds).</li><li>• Ensure that there isn't an incompatible object on the charging pad (NFC card, foreign objects, metal pieces), including any that may have been left in a storage pocket of a phone case (credit card, coins).</li><li>• Heed any warnings on the center display that may alert you if an unauthorized item is placed on the charging pad.</li></ul>

# Driving

## Basic Vehicle Operations

### Starting and Powering Off

To start the vehicle:

1. Unlock the vehicle and open the driver side door.
2. Sit in the driver's seat.
3. Close the door and buckle the seat belt.
4. Press brake pedal.
  - Adjust vehicle settings or destination, as needed.
  - Select a gear to start driving.

To power off the vehicle:

1. Stop the vehicle completely.
2. Put the vehicle in park.
  - The vehicle will power off after you walk away.
3. TBD--Do we really want to say power off? It's really going into a sleep or self-maintenance mode.

### Brakes

Anti-lock brakes

Parking brakes (electronic)

Regenerative braking

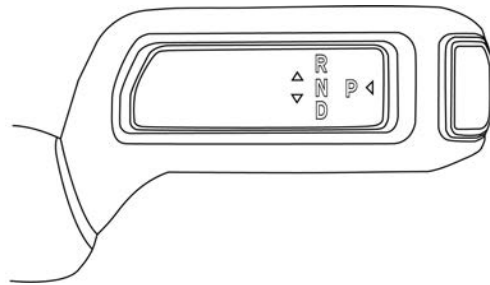
## Selecting a Gear



### DANGER

- Fully press the brake pedal and ensure the vehicle is stationary before shifting into Park, Drive, or Reverse.
- Make sure the vehicle is in Park before you exit the vehicle.
- Failure to follow these warnings could result in personal injury, death, or property damage.

Use the drive stalk on the right side of the steering wheel to select a gear. The driver display shows the current gear.



### Park (P)

Push the button on the end of the drive stalk to put the vehicle into Park. Make sure the vehicle is completely stopped before shifting into Park.

The vehicle can't be shifted out of park under the following conditions:

- A charge cable is connected to the vehicle.
- The brake is not fully pressed.
- The driver is not in the driver's seat.
- A vehicle door or the front trunk is open.
- The key fob is not in the vehicle.
- Another error condition exists. Check for alerts in the driver display.

### Reverse (R)

Push the drive stalk all the way up and then release to put the vehicle in Reverse. Make sure the vehicle is completely stopped before shifting into or out of Reverse.

### Neutral (N)

Push up the drive stalk to put the vehicle in Neutral. The vehicle can roll freely in Neutral.



## **DANGER**

If the vehicle is stationary, press and hold the brake pedal so the vehicle doesn't roll.

### Drive (D)

Push the drive stalk all the way down and then release to put the vehicle in Drive. Make sure the vehicle is completely stopped before shifting into Drive.

### Selecting a Drive Mode

Available modes are:

- All Purpose
- Sport
- Off Road
  - Auto
  - Rock Crawl
  - Rally
  - Drift
- Towing
- Conserve: settings to enable the longest range.

## Driving Controls

### Status Indicators

#### NOTE

For the latest information about the full capabilities and features of your vehicle, see the comprehensive Owner's Guide on the center display screen.

#### Function Check

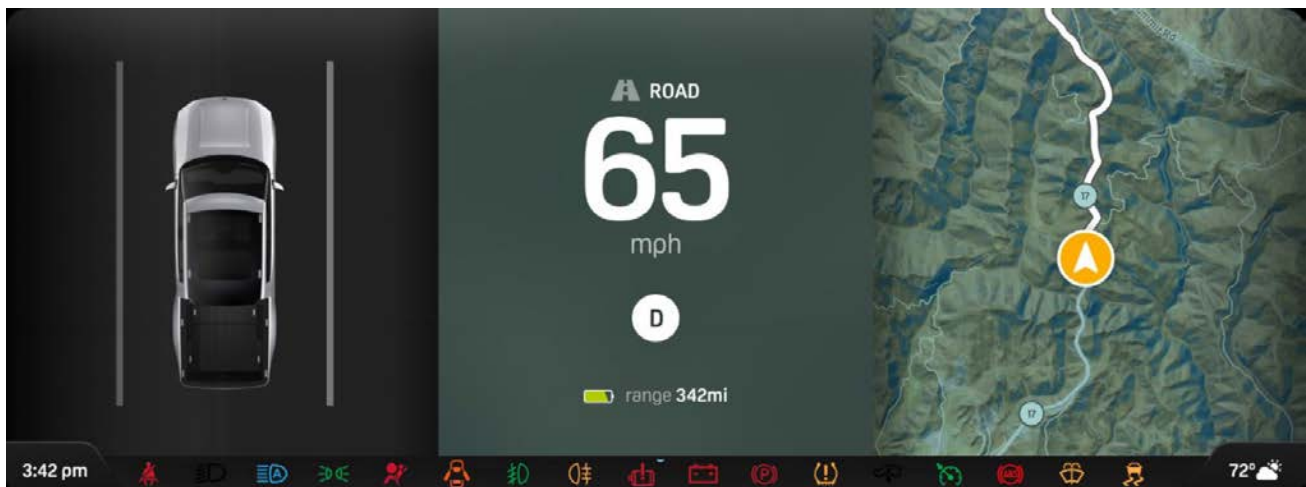
With the car in Start mode, the Function Check status indicators will light up and be displayed for at least one second when you engage the brake to change out of Park.







### CAUTION

If any of the "malfunction" or "system failure" lights become active, there could be a safety risk when operating the vehicle. The vehicle may not be drivable when a malfunction has occurred. Contact [Rivian Customer Service](#) to have the vehicle inspected.




[[Replace this image with wireframe of the display and all relevant telltales showing (with screen area highlighted)]]



The screen on which the indicators appear are labeled in the "Screen and Zone" column in the table below.




Name	Description	Screen and Zone	Icon	Color(s)	Display State when Active
ABS System Malfunction	Anti-lock braking system is malfunctioning	Driver Display - Instrument Cluster		Yellow	Solid
Airbag Malfunction	Airbag system is malfunctioning	Driver Display - Instrument Cluster		Red	Solid
Automatic High Beams	High beams are being controlled automatically	Driver Display - Instrument Cluster		Blue when On Grey when Off	Solid
Brake System Malfunction	Brake system is malfunctioning	Driver Display		Red	Solid

Rivian Proprietary & Confidential Draft - DO NOT DISTRIBUTE




Name	Description	Screen and Zone	Icon	Color(s)	Display State when Active
Door Ajar Indication - All Doors	One or more vehicle doors are not fully closed. Multiple variations of "door ajar" are shown on a larger 3D graphic (while the vehicle is parked) to indicate specifically which door(s) are open, but only one telltale is shown on the instrument cluster.	Driver Display - Instrument Cluster		Red	Solid
Electronic Stability Control (ESC) System Active	An ESC event is active	Driver Display - Instrument Cluster		Yellow	Flashing
Electronic Stability Control (ESC) System Malfunction	ESC system is malfunctioning	Driver Display - Instrument Cluster		Yellow	Solid

Rivian Proprietary & Confidential Draft - DO NOT DISTRIBUTE







Name	Description	Screen and Zone	Icon	Color(s)	Display State when Active
Electronic Stability Control (ESC) System OFF	ESC system has been turned off	Driver Display - Instrument Cluster		Yellow	Solid
Front Fog Lamps	Front fog lamps are active	Driver Display - Instrument Cluster	☼	Green	Solid
High Beams	High beam headlights are active	Driver Display - Instrument Cluster		Blue	Solid
Hood Ajar Indication	Hood is not fully closed. Shown as a telltale on the instrument cluster and a larger 3D graphic (while the vehicle is parked).	Driver Display - Instrument		Red	Solid





Rivian Proprietary & Confidential Draft - DO NOT DISTRIBUTE

Name	Description	Screen and Zone	Icon	Color(s)	Display State when Active
Lighting Malfunction	A light is out in the following lighting systems: <ul style="list-style-type: none"> <li>• Low Beams</li> <li>• High Beams</li> <li>• Turn Indicators</li> <li>• Rear Fogs</li> <li>• Front Fogs</li> <li>• Parking Lamps</li> </ul>	Driver Display - Instrument Cluster		Yellow	Solid
Limited Performance Mode	Vehicle drive power is limited	Driver Display - Instrument Cluster		Yellow	Solid
Low Battery Warning	The battery's State of Charge (SOC) is low. <ul style="list-style-type: none"> <li>• Red - 5 to 30 miles (10 to 50 km) of range remaining</li> <li>• Yellow - 50 miles (80 km) of range remaining</li> </ul> Rivian Resource: <a href="https://rivianautomotive.com/wiki/spaces/UX/pages/1558959867/Battery+Thresholds+In-Vehicle+Notifications">https://rivianautomotive.com/wiki/spaces/UX/pages/1558959867/Battery+Thresholds+In-Vehicle+Notifications</a>	Driver Display - Instrument Cluster		Red	Solid

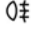



Rivian Proprietary & Confidential Draft - DO NOT DISTRIBUTE

Name	Description	Screen and Zone	Icon	Color(s)	Display State when Active
Low Beams - Malfunction	Low beam headlights are malfunctioning	Driver Display - Instrument Cluster		Green	Flashing
Low Beams - Operational	Low beam headlights are active	Driver Display - Instrument Cluster		Green	Solid
Low Tire Pressure	One or more tires has low tire pressure	Driver Display - Instrument Cluster		Yellow	Solid
Marker Lamps	Vehicle lighting system, specifically marker lighting, is active	Driver Display - Instrument		Green	Solid






Rivian Proprietary & Confidential Draft - DO NOT DISTRIBUTE

Name	Description	Screen and Zone	Icon	Color(s)	Display State when Active
		Cluster			
Parking Brake Applied	Parking brake is active	Driver Display - Instrument Cluster		Red	Solid
Parking Brake System Malfunction	External wiring malfunction to the electronic control unit for the parking brake	Driver Display - Instrument Cluster		Red	Flashing
Passenger Airbag Off	Passenger airbag system is disabled	Center Display		Yellow	Solid
PRND	Indicates what gear the vehicle is in	Driver Display - Instrument Cluster		N/A	Solid



Rivian Proprietary & Confidential Draft - DO NOT DISTRIBUTE

Name	Description	Screen and Zone	Icon	Color(s)	Display State when Active
Rear Fog Lamps	Rear fog lamps are active	Driver Display - Instrument Cluster		Yellow	Solid
Rear Window Defrost/Defog	Rear window defrost/defog function is active	Center Display		Yellow	Solid
Seat Belt Reminder	Driver seat belt is not fastened	Driver Display - Instrument Cluster		Red	Solid or Flashing
System Failure	One or more system failures are active	Driver Display - Instrument Cluster		Red	Solid

Rivian Proprietary & Confidential Draft - DO NOT DISTRIBUTE

Name	Description	Screen and Zone	Icon	Color(s)	Display State when Active
Tailgate Open	Tailgate is not fully latched. Shown as a telltale on the instrument cluster and a larger 3D graphic (while the vehicle is parked).	Driver Display - Instrument Cluster		Red	Solid
Tire Pressure System (TPMS) Malfunction	TPMS system is malfunctioning	Driver Display - Instrument Cluster		Yellow	Flashing
Turn Indicators	Turn signal is on in one direction (one flashing indicator) OR Hazard lights are active (both flashing simultaneously)	Driver Display - Instrument Cluster	 	Green	Flashing
Vehicle Hold	Vehicle is being held automatically at standstill, but the parking brake is not applied	Driver Display - Instrument		White	Solid

Rivian Proprietary & Confidential Draft - DO NOT DISTRIBUTE

Name	Description	Screen and Zone	Icon	Color(s)	Display State when Active
		Cluster			
Windshield Defrost/Defog	Windshield defrost/defog function is active	Center Display		Yellow	Solid
Windshield Washer Fluid Low	Windshield washer fluid is low	Driver Display - Instrument Cluster		Yellow	Solid

## Hard-Key Controls

### Steering Wheel

- Heated
- Electronic power steering

### Stalks

The drive stalk is located to the right of the steering column. It is used to [select a gear](#), set cruise control, and select [Driver+](#) features.

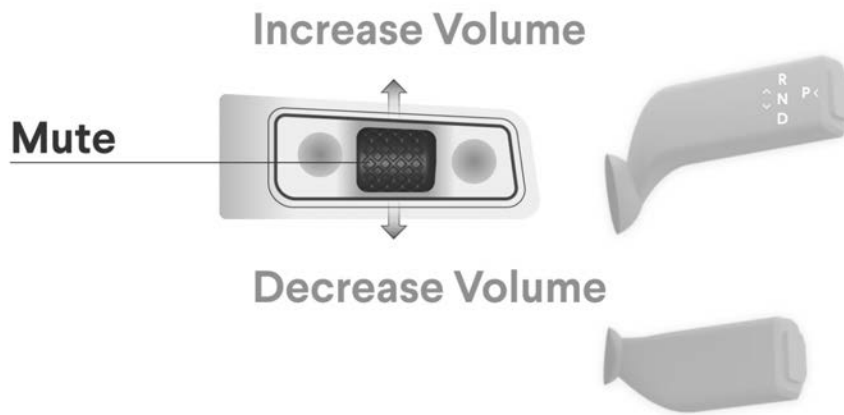
The lights stalk is located to the left of the steering column. It is used to control the lights, high beams, turn signals, and windshield [wipers](#).

## Thumbwheel

Two multi-function metal thumbwheels are located on the left and right sides of the steering wheel.

[[The left thumbwheel controls audio and media. Right thumbwheel is for ADAS]]

- Roll the thumbwheel up and down to scroll through items on the screen, or to increase / decrease audio volume.
- Press the thumbwheel to select a menu item, or to mute /unmute audio.



## Horn

Press the Rivian logo at the center hub of the steering wheel to honk the horn. The horn is dual-tone and can function even when the vehicle is powered off.





## Display Screens

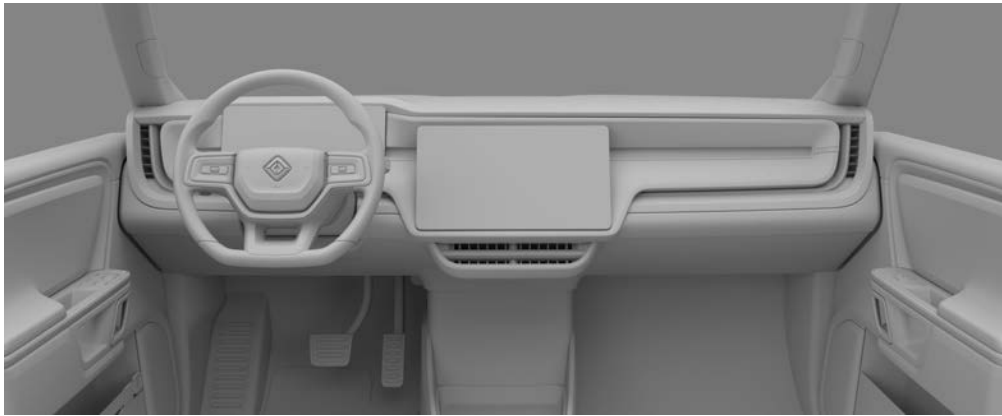
### Driver Display

The driver display is located behind the steering wheel. This is not a touch screen and displays information relevant to the driver, such as the gear the vehicle is in and driving speed.



### Center Display

The center display is a touch screen located at the center of the instrument panel.



### Rear Display

The rear display is a touch screen located at the back of the center console. It shows the settings for passengers at the rear to control the heating and air conditioning to the rear seats.



## WARNING

If the vehicle cabin temperature has risen so that the center display is too hot to touch, you'll be alerted with a message. Wait until the screen has cooled before touching the center display.

### Navigation System

- Updateable digital map with real-time traffic, satellite, EV stations and location services
- Turn-by-turn navigation, with Rivian-optimized EV routes
- Offline assisted GPS
- Compass mode
- Topographical maps
- Off-road un-mapped route tracking

### Rivian ID

AKA, "User Profiles"

Via cloud

Transfer of ownership: how are driver keys and profiles managed when you sell the vehicle?

## Wipers

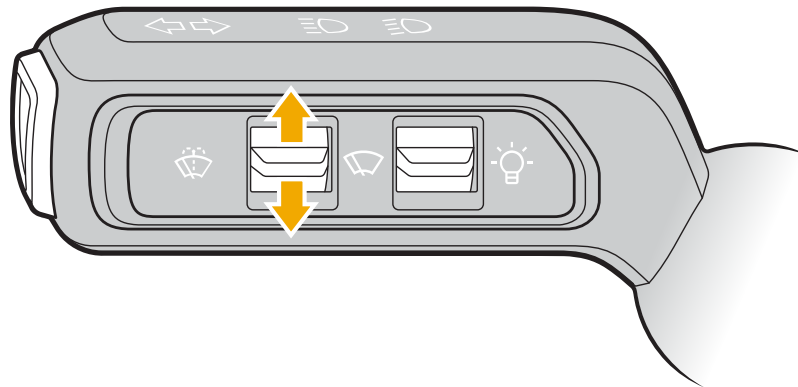
Use the wiper stalk on the left side of the steering wheel to control the wipers and washers. The driver display shows the current wiper mode.

### Front Windshield Wipers

Use the wiper switch on the left stalk to control the wiper speed.

- Push the wiper switch up to increase the wiper speed from low to high.
- Push the wiper switch down to decrease the wiper speed from high to low

[R1T wiper stalk:]





## CAUTION

In cold weather, turn off the wipers and allow them to return to the wiper park position before exiting the vehicle. The wipers may freeze to the windshield and may cause damage to the wiper motor.

Fully defrost the front windshield before switching the wipers on.

### Automatic Front Wipers

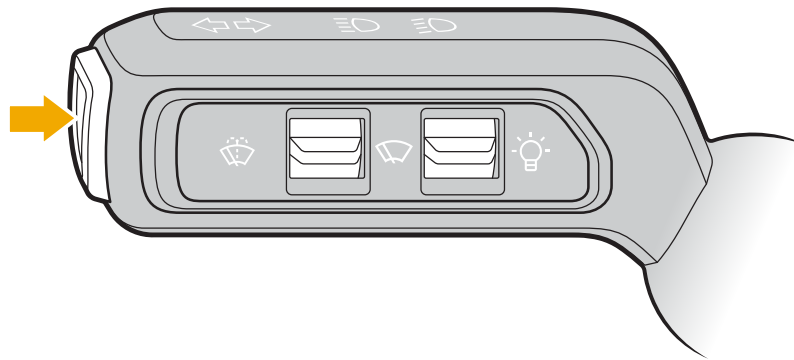
Use the wiper switch to select Auto mode to enable automatic front wipers. In Auto mode, the wipers operate automatically when the sensors detect water on the front windshield. The wipers run until the windshield is cleared.

## Windshield Washers

[The "upper washer button" in the first sentence is for R1S only. The R1T wiper stalk has only one washer button.]

Press and hold the washer button to wash the front windshield. Press the button for at least two seconds.

[R1T washer]:



### NOTE

Quickly press and release the washer button to do a single wipe operation with no wiper fluid.



## **WARNING**

In cold weather, do not wash the front windshield while driving. The wiper fluid can freeze suddenly and obstruct your view, which can lead to a collision.

[Rear window wiper and washer are for R1S only:]

## Driver+

Rivian vehicles support a suite of driver assistance and safety features.

- 10 exterior cameras help with day-to-day and higher-speed driving, while a camera inside monitors for driver alertness.
- 12 ultrasonic sensors provide 360° close range coverage.
- 4 corner radars and 1 forward radar enable more complex maneuvers and monitoring, like lane changes and rear-cross traffic.
- An interior camera monitors driver attention on the road, enabling hands-free driving. If the system detects your attention drift away from the road, you'll be automatically prompted to place your hands on the wheel to continue driving with Driver+ engaged.

## Adaptive Cruise Control and Active Driving Assistance

The Adaptive Cruise Control feature maintains a set highway speed and automatically accelerates and brakes to keep an appropriate distance from vehicles in the current lane. On select highways, Active Driving Assistance performs automatic acceleration, braking, and steering.



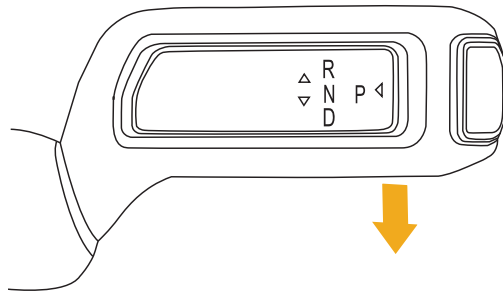
### WARNING

When Adaptive Cruise Control or Active Driving Assistance are enabled, always monitor traffic and driving conditions and be prepared to steer or brake if needed. These features are designed to support the driver and do not replace the driver's attention, judgment, and need to control the vehicle.

## Engaging Adaptive Cruise Control

[[Placeholder image of drive stalk with arrow down]]





To engage Adaptive Cruise Control while driving, push the drive stalk all the way down and then release. The vehicle maintains the current target speed.

The Adaptive Cruise Control feature does not engage if the system detects safety issues. For example, if the distance between the car in front of you is too close, Adaptive Cruise Control will not engage. Also, if you are traveling above or below the speed threshold, Adaptive Cruise Control will not engage. The system produces a chime sound and shows a message in the driver display.

- Minimum activation speed is 20 mph (30 km/h)
- Maximum activation speed 90 mph (145 km/h)

[[20 mph is the min speed when a vehicle in front is not detected. If a vehicle in front is detected, the min activation speed is 0 mph]]

To disengage Adaptive Cruise Control, press the brake pedal.

### Changing the Speed and Following Distance

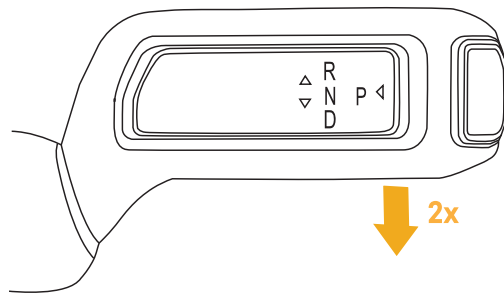
When the Adaptive Cruise Control is engaged, you can adjust the cruising speed and minimum following distance using the controls on the right hand side of the steering wheel. [[Image of steering wheel with annotations]]

Control	Function
Left thumbwheel button	Reduce speed

Control	Function
	<ul style="list-style-type: none"> <li>• Quick press- reduce by 1 mph or 1 kph</li> <li>• Long press - reduce by 5 mph or 10 kph</li> </ul>
Right thumbwheel button	Increase speed <ul style="list-style-type: none"> <li>• Quick press - increase by 1 mph or 1 kph</li> <li>• Long press - increase by 5 mph or 10 kph</li> </ul>
Thumbwheel up	Increase following distance
Thumbwheel down	Decrease following distance

**Engaging Active Driving Assistance**

[[Placeholder image of drive stalk with arrow down and "2x" or two arrows]]



Active Driving Assistance is only available on certain highways. To engage Active Driving Assistance while driving, push the drive stalk all the way down two times within two seconds and then release. The vehicle maintains the current target speed.

To set a new target speed, accelerate or brake to the new speed, then push the drive stalk all the way down one time and release. To disengage Active Driving Assistance, press the brake pedal or push the drive stalk up.

**NOTE**

If you turn the steering wheel while Active Driving Assistance is engaged, the system switches to Adaptive Cruise Control at the current set speed.

**High Beam Assist**

Switches the headlights from high to low beams when a vehicle is detected ahead.

**Rear Cross Traffic Alert**

Alerts you to traffic and people approaching from the side when backing up.

**Manual Park Assist and Automatic Park**

A 360° detection system designed to help sense and alert you to objects.

**Blind Spot Monitor**

Detects vehicles in your blind spots and warns you if you try to move into the lane while present.

**Forward Collision Warning and Automatic Emergency Braking**

FCW: Warns you of potential collisions with people and cars ahead.

AEB: Applies the brakes to help mitigate or prevent a collision.

**Lane Departure Warning and Lane Keep Assist**

LDW: Warns you if you drift too close or cross lane markers without a turn signal on.

LKA: Helps steer you back into your lane if you unintentionally drift close to or over a lane marker without a turn signal.

## Level 2 Autonomous Drive

Accent Lighting acts as secondary ADAS indicators for Adventure trim ONLY

Includes Optical Driver Monitoring System (sensor mounted in 1st row overhead console)

Per PCCR -495: Current ADAS hardware package to be made standard on all trims.

Customer facing features to be turned off for vehicles that do not elect L3 option.

Like all vehicles with driver assistance features available today, Driver+ requires your full attention on the road and you should be ready to take control of the vehicle. An interior camera monitors for driver alertness. If the system detects your attention drift from the road, you'll be prompted to place your hands on the wheel to continue driving with Driver+ engaged. Driver+ is designed to support drivers and does not replace their attention, judgment, and need to control the vehicle.

## Rear and Front Parking Sensors

with audible alerts

## Car Cameras

11 total cameras

Bed camera on gear guard

Surround view

Backup camera

\* 360 Degree Surround View

\* distance indicators for parking sensors

\* on-screen directional lines for parking guidance tied to steering angle.

"Hardware included on vehicle as standard from the factory. Feature enabled via OTA option Post-SOP"

## Dynamic Driving Mode

(Renamed Active Driving Assistance???)

<https://rivianautomotiveinc.atlassian.net/wiki/spaces/DC/pages/1861582929/Driver+Copy+Updates>

Highway Assist: Automatic steering, lane centering, speed, following distance, braking and acceleration on select highways while engaged.

Adaptive Cruise Control: Set your speed and automatically accelerate or brake on highways, adjusting speed to keep an appropriate distance from vehicles in front of you.

Lane Change Assistance: Assisted lane changes on the highway.

### **Increased Default Ride Height**

Ride height is the distance from the lowest point of the vehicle to level ground. You can set the ride height to one of the following.

- Highest
- High
- Mid (default setting)
- Low
- Lowest

The Rivian vehicle has front- and rear-ride-height adjustable air suspension, allowing for 6.5 inches of vertical travel – as low as 7.9 inches or as high as 14.4 inches – to optimize your vehicle’s ride height for improved handling, comfort, aerodynamics and stability with varying payloads. Automatic ride-height leveling also balances your vehicle for better handling when towing heavy loads.

Increase the ride height on vehicles with the Offroad Package in stationary and low speed conditions (<80kph) by 15mm.

No changes to ride height in aero or offroad modes. PCCR-70

### **Traction & Stability Control**

[[Content TBD]]

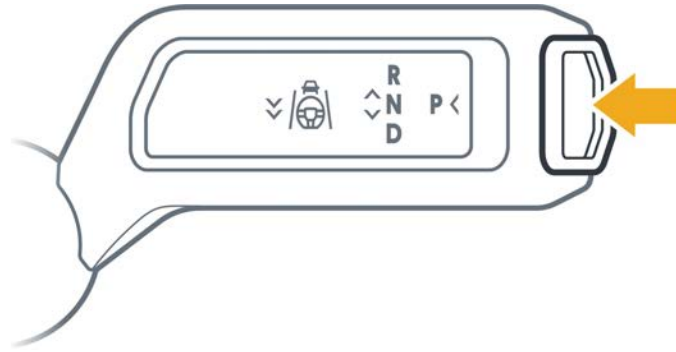
### **Automatic Terrain Control & Hold**

[[Content TBD]]

[[Verify if Post-SOP]]

## Emergency Deceleration

If an emergency occurs while driving at speed, press and hold the Park button to perform an immediate emergency deceleration. An emergency deceleration notification appears on the driver display.



- Continue to hold the Park button to bring the vehicle to a stop. If the vehicle reaches a standstill, it automatically shifts into Park and applies the parking brake.
- Release the Park button to stop the deceleration
- If you press hard on the accelerator pedal while the emergency deceleration is in progress, the emergency deceleration ceases.

# Charging

## Charging at Home

The most convenient way to charge is by installing a Rivian Wall Charger at home (available separately). You can also use the Portable Charger (included with your vehicle) to plug into a power outlet. [For more information, see the Portable Charger User Guide.](#) [Ref other doc or add topics to TOC structure?]

## Charging on the Road

Options for charging on the road:

- Rivian Adventure Network
- Rivian Waypoints
- Third-party public chargers

### Rivian Adventure Network

The Rivian Adventure Network is designed for quick recharges so you can keep moving. Connecting cities on popular routes across the US and Canada, the network also extends further into more remote destinations.

- 3,500+ DC fast chargers at 600+ sites by end of 2023
- Add up to 140 miles of range in 20 minutes
- Powered by 100% renewable energy

### Rivian Waypoints

Rivian Waypoints allow convenient charging at public locations, such as shops, restaurants, hotels, parks and more.

- 10,000+ AC chargers by end of 2023
- Add 25 miles of range every hour at 11.5 kW charging speed

### Public Chargers

The vehicle can use any public charger with J1772 or CCS plugs.

Public chargers may require third-party payment or have usage restrictions. Make sure to follow any instructions available at the charger location.

## Using the Trip Planner

Enter a destination in the trip planner to find convenient charging locations along your route.

## Charging the Vehicle

### Starting a Charging Session

Once parked at a charger, start a charging session as follows:

1. Open the charge port door.
2. Get the charge cable.
  - If using a public charger, follow any third-party instructions to release the charge cable and start charging.
  - If using the Portable Charger, plug it into the power outlet before plugging it into the vehicle.
3. Align the charge plug to the vehicle's charge port and insert fully.
  - If using the Rivian Adventure Network (or other DC charger), lift the vehicle's DC charge port cover before plugging into the vehicle.

Charging starts automatically. There may be a short delay if the battery requires heating or cooling.

### NOTE

When the vehicle is plugged in but not actively charging, it draws energy from the charger instead of using the battery.

### Viewing Charging Status

The charge port light color indicates the charging status:

Charge Port Light Color	Status
White (solid)	Ready
White (pulsing)	Starting to charge
Green (pulsing)	Charging
Green (solid)	Charge complete



Charge Port Light Color	Status
Blue (solid)	Charge scheduled
Red (solid)	Error. Contact Rivian.
Red (pulsing)	Error.

The light bars at the front and rear of the vehicle briefly display charging progress as you approach or walk away from the vehicle. Green light bars show progress towards charge completion based on the range setting (Daily, Extended, or Trip).

The battery icon in the vehicle center display indicates the charging status as follows:

- lightning bolt when charging is in process
- green when charging is complete

### Selecting a Range Setting

Select Trip, Extended, or Daily to set a charging limit based on your range needs.

- Daily requires less time to charge and maximizes battery efficiency.
- Extended allows you to travel farther on one charge.
- Trip maximizes range and requires more time to charge.

### Stopping a Charging Session

To stop the charging session:

1. Select Stop Charge from Energy menu.
2. Unplug the charge cable and return the plug to the charger.
3. Store the cable neatly to prevent a tripping hazard.

### Setting a Charge Schedule

Set up a schedule to charge at home when electricity costs less or to stagger charging times between multiple vehicles.

To turn on a charge schedule:

1. Select Charge Schedule from the Energy menu.
2. Select days to schedule.
3. Select times to start and stop charging.

To disable the charge schedule, select Off.

## Range

Range is the number of miles (or kilometers) a vehicle can travel before needing a charge. Range may vary and a reduction in range does not indicate a sudden or permanent loss of battery capacity.

Similar to gasoline-powered vehicles, many factors can affect range. Keep these factors in mind to extend range or reduce energy usage:

Condition	Affect on Range
Speed and rate of acceleration	Excessive speed and aggressive acceleration reduce range.
Temperature	Extreme cold reduces range.
Grade and elevation	Steeper grades reduce range; using regenerative braking downhill can increase range.
Wind	High winds reduce range.
Vehicle load	Towing and carrying cargo can significantly reduce range due to the extra weight and aerodynamic drag.
Terrain	Off-road conditions and uneven surfaces reduce range.
Drive mode	Drive mode may reduce range. See <a href="#">Drive Modes</a> .
Climate control	Heating or cooling the cabin reduces range. See <a href="#">Climate Control</a> .
Powered accessories	Charging accessories (like phones or laptops) reduces range.

Here are more tips to extend range:

- Inflate tires to recommended pressure. See [Tires](#).
- Use regenerative braking instead of the brake pedal to slow the vehicle. See [Brakes](#).

- Raise all windows.

**Low Range**

When the vehicle range is low, charge as soon as you can. At 30 miles (50 kilometers) remaining, the vehicle will gradually reduce power consumption as range decreases.

Range Remaining	Recommendation	Affect on Vehicle
50 mi (80 km)	Find a charger or enable Conserve mode.	Battery icon turns yellow.
30 mi (50 km)	Find a charger or enable Conserve mode.	Cabin conditioning stops. Battery conditioning slows.
5 mi (10 km)	Charge the vehicle.	Battery conditioning stops.
1 mi (2 km)	Bring the vehicle to a safe stop, if a charger is not in range. Contact Rivian.	Propulsion system begins to power down. Accessory power (climate control, phone charging, etc.) will only be available for a limited time before vehicle powers down completely.



**WARNING**

Never open or tamper with the vehicle battery. Contact Rivian for battery service.



**CAUTION**

If the vehicle battery’s charge level falls to 0%, plug it in immediately. If you leave the vehicle unplugged for an extended period, it may not charge without jump starting or replacing the 12-volt batteries. Leaving the vehicle unplugged for an extended period can also result in permanent battery damage. If you're unable to charge the vehicle, contact



## Battery Types + Sizes

Battery	Range	Acceleration
Large	300+ miles (482 kilometers) ***TBD-not actual values***	0–60 mph in TBD seconds
Max	400+ miles (643 kilometers) ***TBD-not actual values***	0–60 mph in TBD seconds

## Battery Life

Use these best practices to extend battery life beyond the warranty:

- Avoid draining the battery to 0%.
- **Use the Daily setting when selecting a range for daily use.** Use the Trip setting for long trips.
- Leave the vehicle plugged in when it won't be driven for a long time. Range decreases slightly when parked to maintain battery health.
- Use the Rivian Wall Charger or Rivian Waypoint chargers as much as possible. Minimize the use of DC fast chargers, except for long trips.
- Limit aggressive driving. Steady acceleration and speed will help maximize battery life and range.

The vehicle may experience some loss of battery capacity over its lifetime. Refer to the Warranty that came with your vehicle for details.

## Jump Starting the 12-Volt Batteries

The vehicle is equipped with two 12-volt batteries located under the hood. If the 12-volt batteries have discharged, you may need to jump start the batteries. This can happen if the vehicle battery drains to 0% or the 12-volt batteries have failed.

Signs of discharged 12-volt batteries:

- Doors and storage areas will not unlock
- Vehicle does not respond to key fob

- Lighting will not illuminate
- Displays will not power up

To jump start the 12-volt batteries:

1. Remove the trailer hitch cover to access the jump start terminals at the rear of the vehicle.
2. Remove the round access panel to the right of the trailer hitch.
3. Pull out the jump start wiring harness terminals.
4. Connect the positive lead (red) to the red lead on the jump harness and negative lead (black) to the black lead on the jump harness.

Once energized, you can unlock the vehicle and power up the displays. If the vehicle battery has drained to 0%, open the charge port and charge as soon as possible.

## Portable Charger

### IMPORTANT SAFETY INSTRUCTIONS

### SAVE THESE INSTRUCTIONS

Read all the instructions before using the Portable Charger. Follow the safety instructions and warnings in this guide when using the Portable Charger. Failure to do so may result in fire, electrical shock, serious injury, or death.

### Precautions



## DANGER

### INSTRUCTIONS PERTAINING TO THE RISK OF FIRE OR SHOCK

- Do not use the Portable Charger outside of the guidelines detailed in this guide.
- The Portable Charger is designed to charge Rivian vehicles only. Do not use the Portable Charger for any other purpose or to charge any other vehicle.
- Do not use the Portable Charger if it is defective or damaged in any way, or if it fails to operate.



- Do not use the Portable Charger if the enclosure or the EV connector is broken, cracked, open, or shows any other indication of damage.
- Do not attempt to service the Portable Charger by disassembling it. It is not user-serviceable. Contact Rivian for repairs.
- Do not twist or place significant strain on the Portable Charger. Do not subject the Portable Charger controller to undue force or impact.
- Do not expose the Portable Charger to flammable or harsh chemicals or vapors.
- Do not use or store the Portable Charger in a recessed area or below floor level. When using the Portable Charger in an inside location such as a garage, position the Portable Charger controller at least 18 in (46 cm) above the floor.
- Do not attempt to attach Portable Charger adapters to outlets other than the types listed in this guide.
- Do not plug the Portable Charger adapter into an extension cord, power converter, power strip, or any type of power adapter.
- Do not plug the Portable Charger adapter into a damaged, loose, or worn power outlet. Fit the Portable Charger adapter snugly into the socket.
- Do not plug the Portable Charger adapter into a power outlet that is not properly grounded. See Grounding Instructions.
- Do not unplug the Portable Charger adapter from the power outlet until charging is complete.
- Do not plug the Portable Charger into an electrical outlet or unplug it from an electrical outlet that is submerged in water or covered in snow. If the charger is plugged in, turn off the breaker before unplugging it.
- Do not expose yourself, the vehicle, or the Portable Charger to severe weather conditions while charging.
- Do not expose the Portable Charger or power outlet to moisture or water. Do not use the Portable Charger if there is apparent water damage or corrosion.
- Do not allow unsupervised children in the area while the Portable Charger is charging a vehicle.
- Do not place fingers in the vehicle charge port.

## Grounding Instructions

The Portable Charger must be grounded. If it should malfunction or break down, grounding provides a path of least resistance for electric current to reduce the risk of electric shock. The Portable Charger is equipped with a cord that has an equipment grounding conductor and a grounding plug. The Portable Charger must be plugged into an appropriate outlet that is properly installed and grounded in accordance with all local codes and ordinances.








### **WARNING**

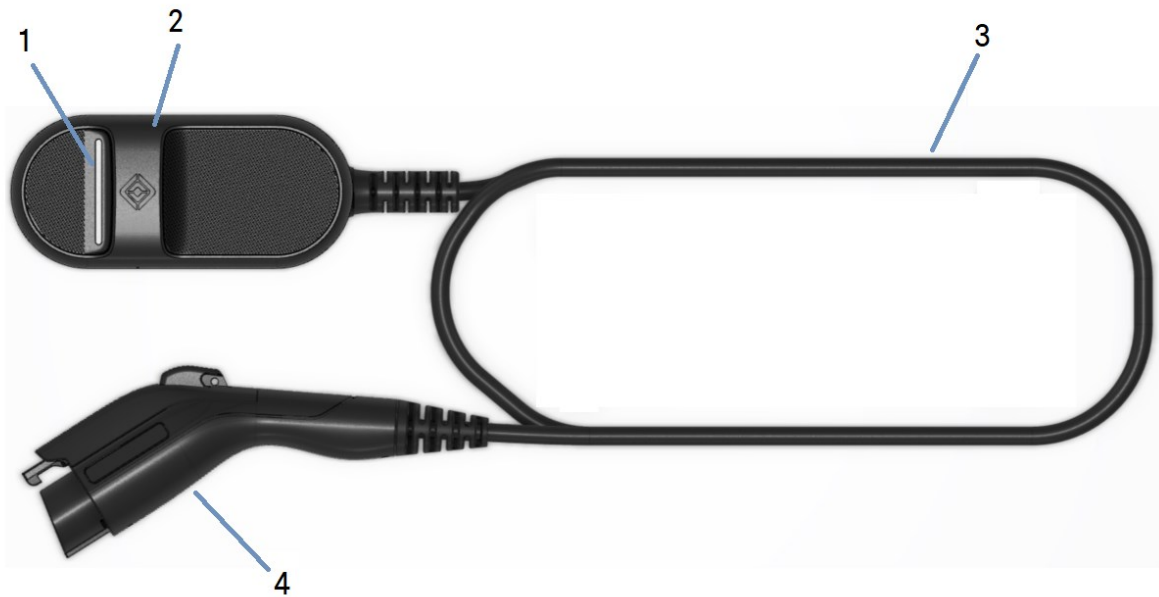
Improper connection of the equipment-grounding conductor may result in a risk of electric shock. Check with a qualified electrician or service person if you are in doubt as to whether the product is properly grounded. Do not modify the plug provided with the Portable Charger. If it will not fit the outlet, have a proper outlet installed by a qualified electrician.

### Safety Symbols on Hardware Labels

The following safety symbols may appear on labels located on the Portable Charger.

Symbol	Indication
	Risk of electric shock
	Danger
	Equipment grounding conductor
	Instruction manual
	UL logo

### Identifying Parts



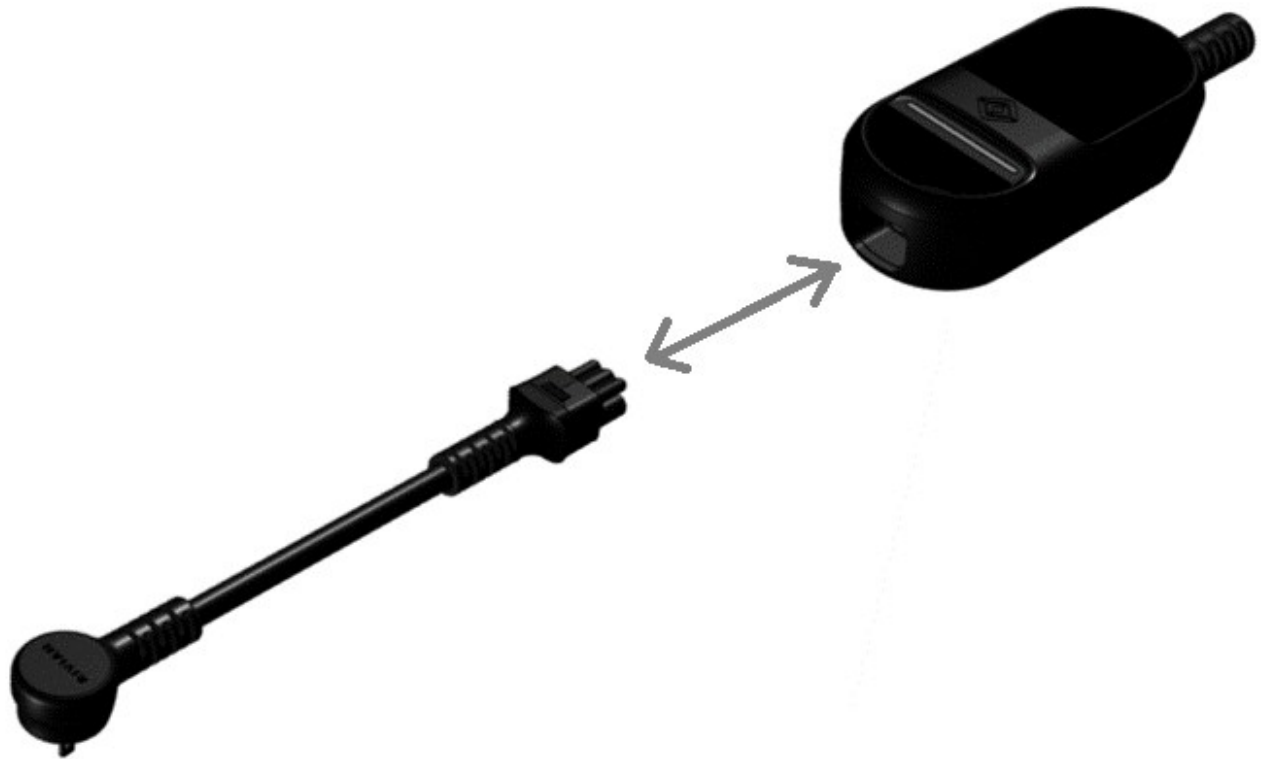




- |               |                               |
|---------------|-------------------------------|
| 1. Light bar  | 4. Coupler                    |
| 2. Controller | 5. 120-volt AC charge adapter |
| 3. Cable      | 6. 240-volt AC charge adapter |

### Attaching and Removing an Adapter

- To attach an adapter to the Portable Charger, push the connector on the adapter into the port in the controller on the cable until the connector clicks into place.
- To remove an adapter, pull the connector on the adapter out of the cable controller port.



## Charging

### Attaching the Portable Charger



#### **DANGER**

- Before attaching the Portable Charger, inspect it and the power outlet for damage. If one or the other is damaged, do not use.
- Use only a 120 volt, 208 volt, or 240 volt AC power supply, 50/60 Hz wall outlet with a dedicated and properly grounded circuit, rated for the coupler in use.

To begin charging the vehicle:

1. Plug the Portable Charger adapter all the way into a grounded power outlet until it is securely connected and flush against the outlet, as shown in the image below.

### NOTE

The groove in the adapter plug helps to provide a good grip when inserting the plug into and removing it from the outlet.



2. Open the charge port door by touching the area on the vehicle to the lower right of the door. The light ring around the vehicle charge port glows white.
3. Plug the Portable Charger coupler into the vehicle's charge port. The vehicle locks the coupler in place.

While the vehicle is charging, the light bar on the Portable Charger controller and light ring around the vehicle charge port “pulse” green, and the light bar on the front of the vehicle displays charge progress as you approach the vehicle.

### NOTE

If possible, use a dedicated outlet with a single socket. If the outlet has two sockets, do not plug any other items into the other socket.

### Tracking Time to Charge

Charge time varies depending on:

- Power voltage and current
- Ambient temperature

- Battery temperature

During a charge session, view data such as charge progress, time remaining to charge, and distance estimates in the vehicle display screens or in the mobile app.

Use the information in the table below to help determine charge rates.

Adapter	Current	Voltage	Power
5-15	12 A	125 V	1.3 kW
14-50	32 A	240 V	7.6 kW

### NOTE

- You can also estimate total time to charge by dividing the battery size in kilowatt hours (kWh) by the number of kilowatts (kW).
- If battery temperature falls outside the optimal charging range, the vehicle may cool or heat the battery to move it into the optimal range.

### Light Bar States

Light Bar State	Indication
White (solid)	Available
Green (pulsing)	Charging
Red (solid)	Error (see "Troubleshooting" on page 110)
Red (pulsing)	Error (see "Troubleshooting" on page 110)

### Detaching the Portable Charger

When charging is finished, the light ring around the vehicle charge port turns solid green. Press the button on the Portable Charger coupler to release it from the vehicle. The charge port closes automatically.

### Maintenance

#### Cleaning

When cleaning is necessary, wipe the Portable Charger with a damp cloth. Do not use anything abrasive.

#### NOTE

Take care not to get water in the Portable Charger connection points. Follow the warnings in "IMPORTANT SAFETY INSTRUCTIONS" on page 101.

#### Storing

To store the Portable Charger in a secure fixed location, such as a home garage:

- Plug the cable into a dedicated wall outlet within close distance of the vehicle parking spot and with ample cable length available to reach the vehicle's charge port.
- Secure the cable by hanging the controller on a hook or screw installed on the wall near the outlet (see "Installing a Wall Mount" below).
- Keep the cable plugged in when not in use. (This helps to prevent wear on both the charger plug and the outlet.)

For portable storage of the cable, unplug the cable from the power outlet, coil the cable (no sharp bends), and place it in the storage bag.

#### Installing a Wall Mount

Holes on the back of the Portable Charger controller provide a way to hang the controller on a wall.

1. Install a hook or anchor screw on the wall near the power outlet. If you decide to install a screw instead of a hook:
  - Select a screw with a head that will fit into one of the openings on the back of the controller.
  - Install it with enough distance from the wall to fit the mount hole over it.
2. Hang the controller on the hook or screw.

**Troubleshooting**

If This Happens	Possible Problem	Try This
Light bar on Portable Charger displays flashing red	Power interruption	<ul style="list-style-type: none"><li>• Unplug the Portable Charger from the power outlet.</li><li>• Plug the Portable Charger into the power outlet.</li></ul>
Light bar on Portable Charger displays solid red	Charger error	Contact Rivian service.

Rivian Proprietary & Confidential Draft - DO NOT DISTRIBUTE

**Specifications**

Specification	Description
Operating voltage range	90-264 (120-240 V nominal) AC single-phase
Operating grid frequency	45-65 Hz
Maximum current	32 A; limited by adapter selected
Cable length	18 ft (5.5 m)
Mechanical and environmental load	UL 2231-1,2, UL 2594 regulatory standard
Operating temperature	-30°C to +50°C
Storage temperature	-40°C to +85°C
Connector housing dimensions	Height: 2.63 in (6.7 cm) Width: 4.34 in (10.0 cm) Depth: 8.86 in (22.5 cm)
Weight	7.1 lb (3.2 kg)
Maximum operating altitude	14,108 ft (4,300 m)
Enclosure type	NEMA Type 6
Ventilation	Not required
Compatible vehicle inlet	J1772
Adapters	NEMA 5-15 120-volt NEMA 14-50 240-volt
UL file number	E520745
Product number	PT00045331-D

Rivian Proprietary & Confidential Draft - DO NOT DISTRIBUTE

## Storage and Security

### Interior Storage

#### Center Console

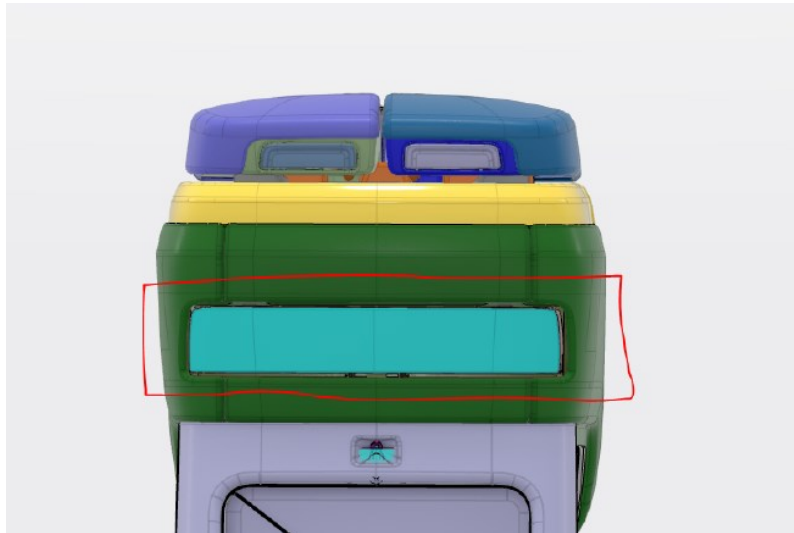
The center console is located in between the driver and passenger seats. It serves a storage compartment for small belongings. Charge your devices on the included [wireless charger](#).



#### Cup Holder

Press the plated trim on the forward edge of the center console to pop out the cup holder for use.





### Power Outlets

The center console has the following outlets:

- 2 plugs for USB-C in the center console bin
- 2 plugs for USB-C in the back of center console near the rear display screen
- 1 plug for 110v AC outlet in the back of center console below the rear display screen

[[Please verify the accuracy of the power outlets, number and location.]]

### Storage Bin

Press the button at the front and center of the console to access the storage bin.



[[Is there a good closeup shot of the button and how to locate and press it to activate storage bin opening so our illustrator can mock it up?]]

### **Rear Seat Armrest**

When the middle seat is not occupied in the second row, you can pull down the rear seat armrest. The rear seat armrest has two cup holders. The cupholder liner could be removed for easy cleaning.

Once the armrest is down, you can access the Gear Tunnel from inside the vehicle cabin.

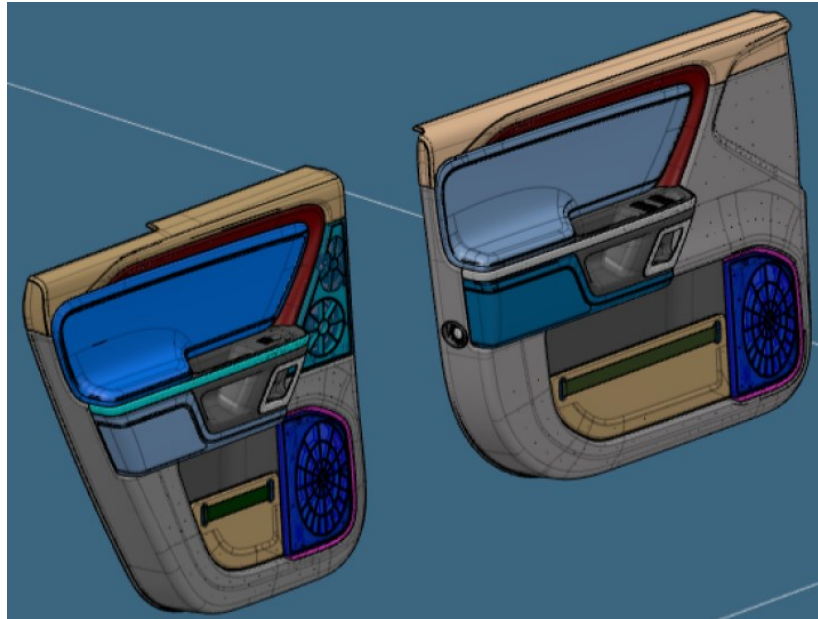


### Door Pockets

Front and rear doors contain hinged storage pockets to hold your belongings. Pull the pocket away from the door to expand it and store larger items. The front door pockets can hold a larger one-liter water bottle.

**NOTE**

Don't store bulky items that prevent the door from closing, or items big enough to contact the sides of the seats. Don't store any liquid that isn't securely sealed to prevent spills when the door is closed.



**Seat Back Pockets**

The front row seats have seat back pockets to hold your belongings. The seat back pockets are webbed to allow for some flexibility.

[[Is there a mock-up illustration of this or a part number in CATIA?]]

**NOTE**

Don't store bulky items that may get in the way of passengers in the back row or hinder the proper installation of child seats.

**Under-Seat Storage**

A storage drawer is located under both the driver and front passenger seats, best for holding a standard smartphone. Pull the tab to access the storage drawer, and push the drawer back in to securely close.

**NOTE**

The maximum weight capacity of the under-seat storage drawer is approximately 0.5 lb (230 g).



[[Is there a better graphic or mockup to show the drawer?]]

**Exterior Storage**

**Front Trunk**

The front trunk can be opened in the following ways:

- Hard button on the front fascia [[insert picture of location and look of the button]]
- Smartphone app
- Emergency-release button
- In-vehicle display screen
- Two lamps (one mounted on the front upper surface of each side), interior safety release, molded and grained plastic (no carpet liner).

- 8 connection points for future accessories, fold-up floor, EVSE storage
- Contains a single 12v Power Outlet
- Measurement: 25.4 L in x 54.8 in W x 22.7 in D
  - 11 cu ft volume
- There is an Entrapment button on the inside of the front trunk that provides a means of escape if someone is caught in it.
- The front trunk has drainage holes in case of water spills.

### **Spare Tire Compartment**

R1T owners will have the option of ordering a full- or compact-size spare tire from Rivian at additional cost or may obtain one on their own.

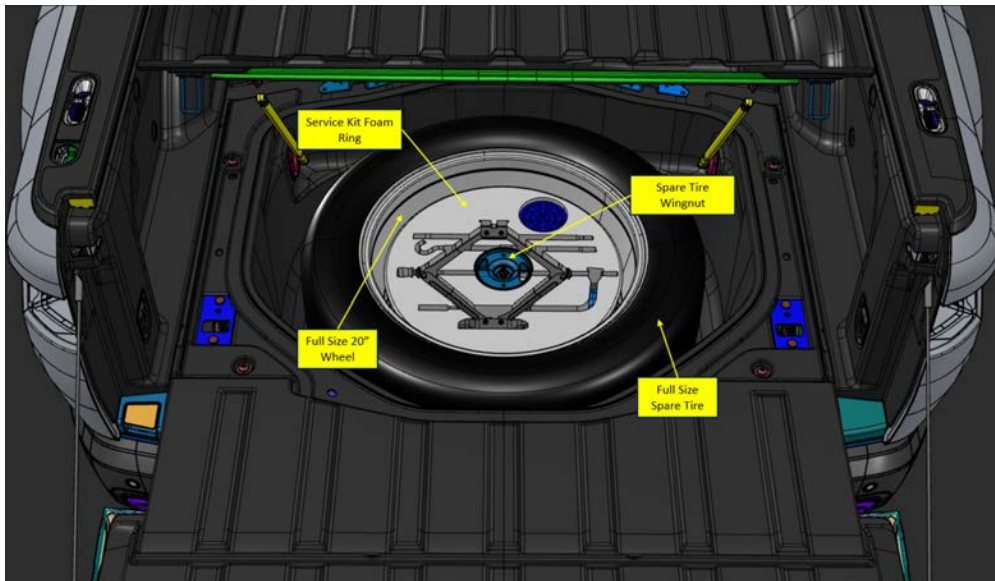
R1T

Full-size tire and jack.

Located in a lockable compartment beneath the floor of the truck bed.

When empty, it can also double as a cooler with a plug for easy drainage.

### **Accessing the Spare Tire Compartment**



1. Ensure that the truck bed is empty, and that there aren't any objects on the lid.
2. Ensure that the tailgate is open (in the down position) for enough clearance to open the compartment.
3. Press the button at the rear of the truck bed for the lid to open.



R1S

Compact tire.



Located in a lockable compartment under the trunk cargo floor (in some states, this may be included based on local regulations).

### **Cargo Crossbars**

The cargo crossbar set includes:

- 2 crossbars
- 2 locking keys

### **Set and Place Crossbars**

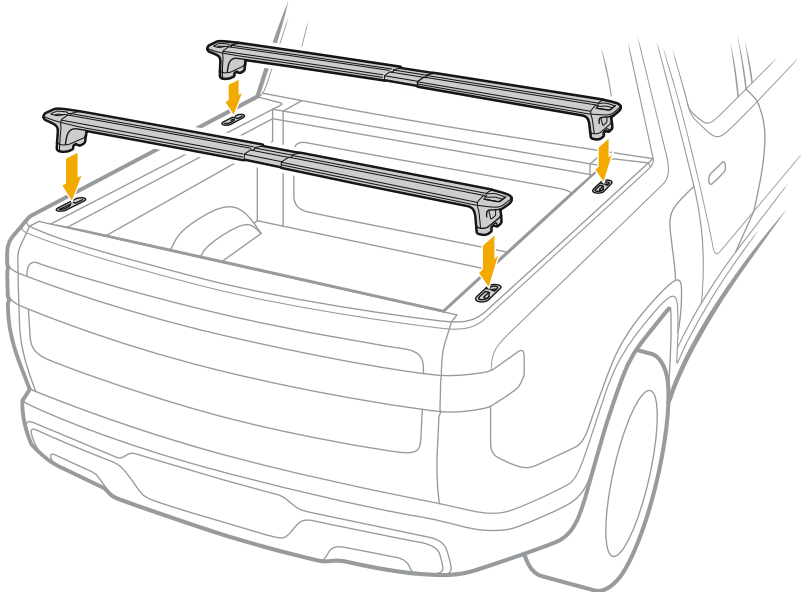
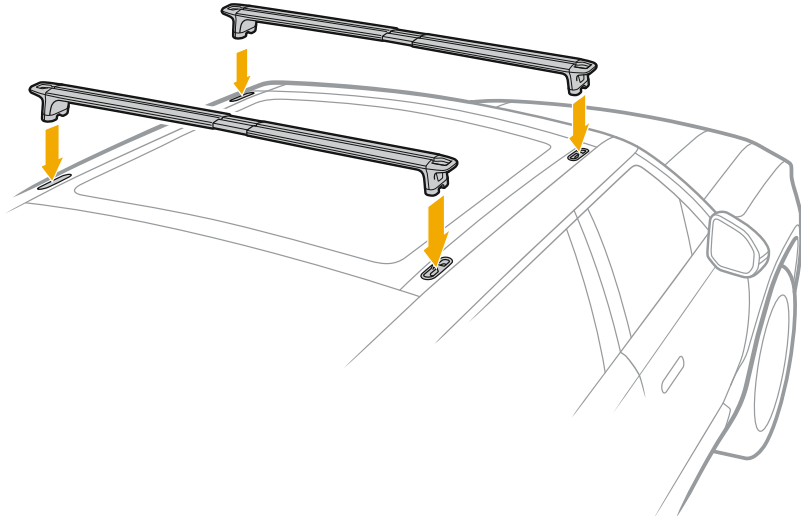
[R1T:]

The crossbars can be mounted on the roof or on the truck bed.

[R1S:]

1. Set the width of the crossbars by extending them over the cargo ports on the vehicle.
2. After setting the crossbar width, fully press each crossbar end into the cargo port.  
The crossbar tower snaps into place.

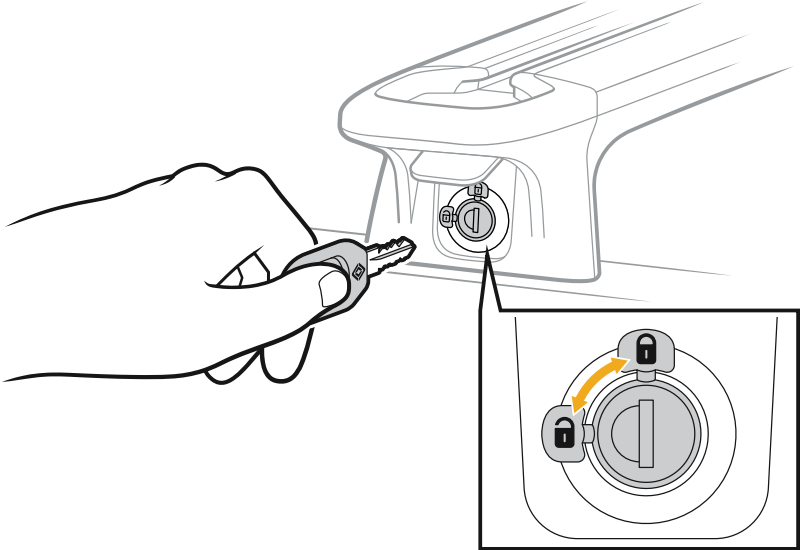




Rivian Proprietary & Confidential Draft - DO NOT DISTRIBUTE

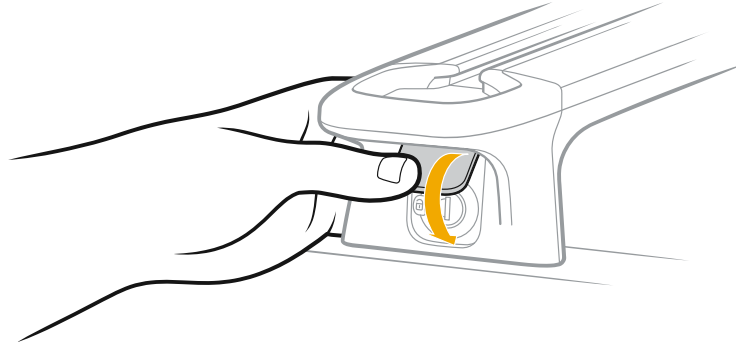
**Secure the Crossbars**

- 1. Lock the crossbars with the key.



Rivian Proprietary & Confidential Draft - DO NOT DISTRIBUTE

2. Push the crossbar latch all the way down to cover the key cylinder.



3. Check both sides of each crossbar to make sure the crossbars are secured.



## **WARNING**

Incorrectly mounted crossbars and unsecured loads can loosen while driving and cause a serious accident. Check that the crossbars and loads are completely secured before driving, especially after driving through rough terrain.

Do not drill holes in the crossbars. Only use manufacturer supplied spare parts and accessories.

Modifications or use of aftermarket spare parts or accessories not provided by the manufacturer will void the manufacturer's warranty. The owner assumes liability for any material damage or accidents caused by unauthorized modifications.

## Rack Loading

Do not exceed the maximum specified load for the cargo crossbars.

Maximum Roof Load = weight of crossbars + weight of load.

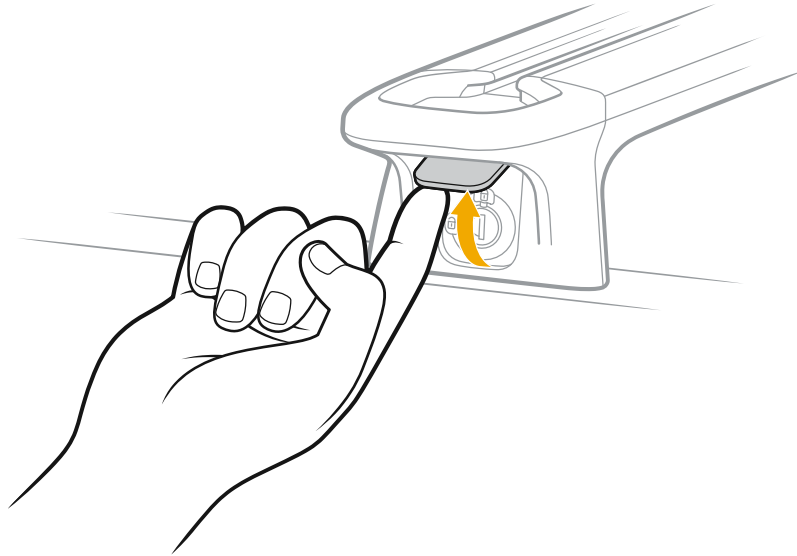
- The maximum dynamic (driving) load is 250 lbs (113 kg).
- The maximum static (parked) load is 890 lbs (404 kg). For example, when the vehicle is parked at a campsite with a rooftop tent, the maximum roof load is 890 lbs (404 kg).

Evenly distribute the load on the crossbars, maintaining a low center of gravity.

Any load that extends over the windshield must be secured to the front and rear of the vehicle, in addition to the cargo crossbars. Failure to do so can result in property damage, personal injury, or death.

### Removing the Crossbars

1. Push up the crossbar latch halfway to access the lock.
2. Unlock the crossbar with the key.
3. Push up the latches on both sides of the crossbar to disengage the towers.



4. Carefully lift the crossbar from your vehicle.

### Maintenance

Clean the crossbars with a solution of water and standard car wash liquid. Do not use cleaners that contain bleach, ammonium, or alcohol. Remove the crossbars when not in use.

### Tailgate (for R1T)

The tailgate manually opens to 90 degrees and has a power-locking feature.

### Opening & Closing the Tailgate (manual & power)

The tailgate can only be closed manually. If you choose to open the tailgate, it will remain open until you or someone else can close it at the vehicle.

## Truck Bed (for R1T)

### Load Limits

### Accessory Ports

- 2 Integrated 110V AC Power Outlets (Bed)
- 2 Integrated 220V AC Power Outlets (Bed)

### Truck Bed

- 51 in W x 54 in L (with tailgate up)
- anti-slip, high durability UV resistant SMC
- mold in color black
- grained surface and walls
- 4 Integrated cargo tie-downs. Forged steel hook with stamped steel housing. (2 on the bottom of each side)



## CAUTION

The truck bed won't remain dry if you ford in water that's higher than the truck bed floor. If you're planning to drive your Rivian truck in deep water, ensure that equipment stored in your truck bed won't be damaged by contact with water.

## Tower Bed Rack

### NOTE

The Tower Bed Rack cannot be attached to the vehicle at the same time as the Cross Bars.

The tower bed rack set includes:

- 4 towers
- 2 crossbars

[[Placeholder graphics]]



## **Tonneau Cover (for R1T)**

Tonneau covers (power hardcover, manual soft cover)

### **Hard Tonneau**

The hard tonneau cover can be opened and closed with a button on the exterior bed rail. The tonneau cover can also be locked.

### **Gear Tunnel**

Compressed fiber walls with aperture (openings) trimmed in plastic.

Integrated cargo light

Door ajar sensor in latch (Driver's & Passenger's side)

Door operation from push-button switch on exterior bed rail, phone app., interior HMI, and emergency switch inside tunnel.

Includes High Voltage Adventure Port (HVAP)

11.9 cu ft volume

The gear tunnel can only be closed manually. It will remain open until you or someone else can close it.

There are two Entrapment buttons on both the driver and passenger side of the Gear Tunnel that provide a means of escape if someone is caught in it.

### **NOTE**

After driving, retrieve items from the Gear Tunnel with care since contents could have shifted.

Contains a 110v single-plug outlet (high powered connection)





## DANGER

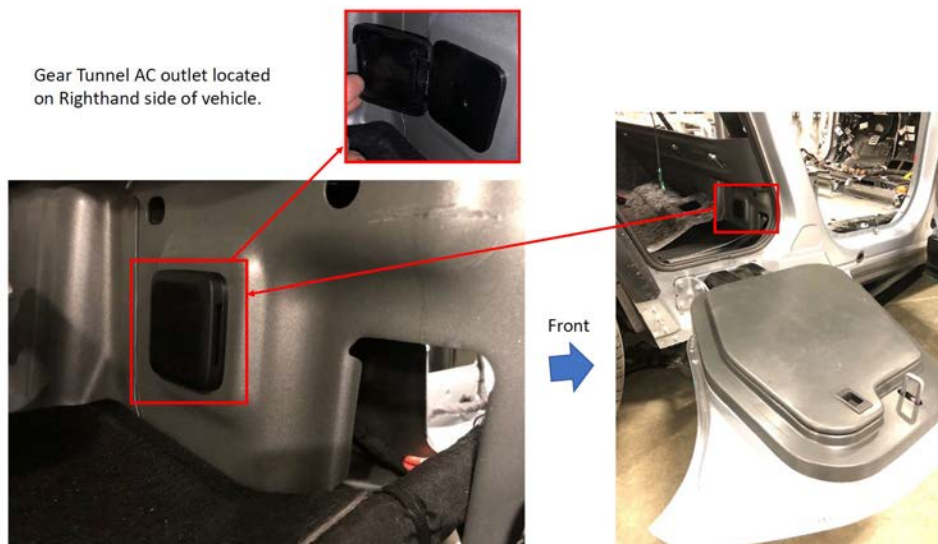
To avoid a risk of fire or thermal event, be careful when using any power outlets, particularly when the vehicle is in Drive, the outlets are powered on, or any devices plugged into the outlets are left unattended.

- Don't let objects obstruct any outlets being used.
- Turn off and unplug the 110 V outlet in the Gear Tunnel before closing the Gear Tunnel doors.
- Note that objects stored in the Gear Tunnel may shift around during driving.



## CAUTION

Don't use an outlet with any device that requires over 1500 W of power.



### **Rivian Gear Tunnel™ Shuttle (RT)**

The *Rivian* Gear Tunnel shuttle extends from the vehicle and acts as an additional surface for holding equipment off the ground.

The Gear Tunnel shuttle is available in the following configurations:

- Gear Tunnel shuttle
- Gear Tunnel shuttle with full-length storage bin
- Gear Tunnel shuttle with half-length storage bin

[[Are storage bins available at the same time as the shuttle?]]

[[Will the storage bins be sold separately (from the shuttle)? If so, we should have instructions for installation.]]

### Charging Devices

You can charge your devices using the following:

- Two 12 V USB power outlets
- Two 110 V power outlets

To use the 110 V power outlets, turn on 110 V outlets in the vehicle.

[[Turning on/off 110 V outlets doesn't seem to be in the mobile app at SOP.]]



### DANGER

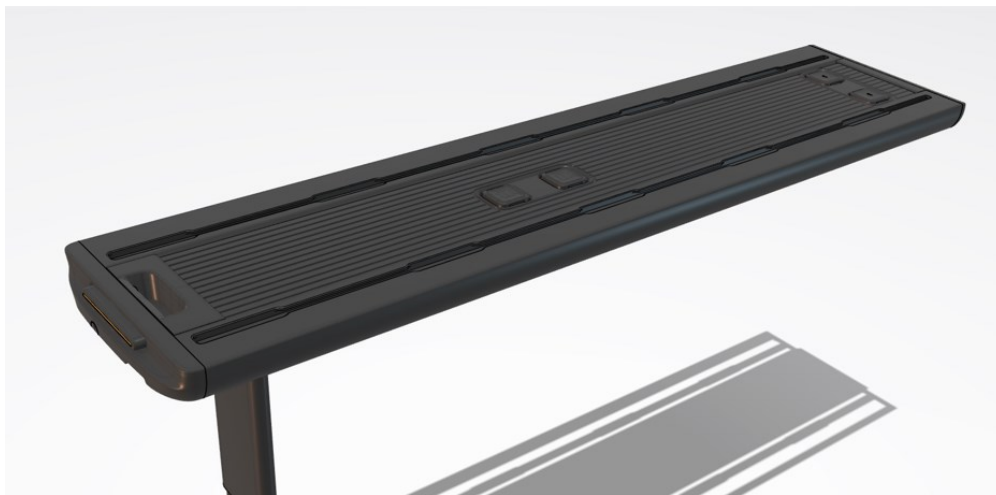
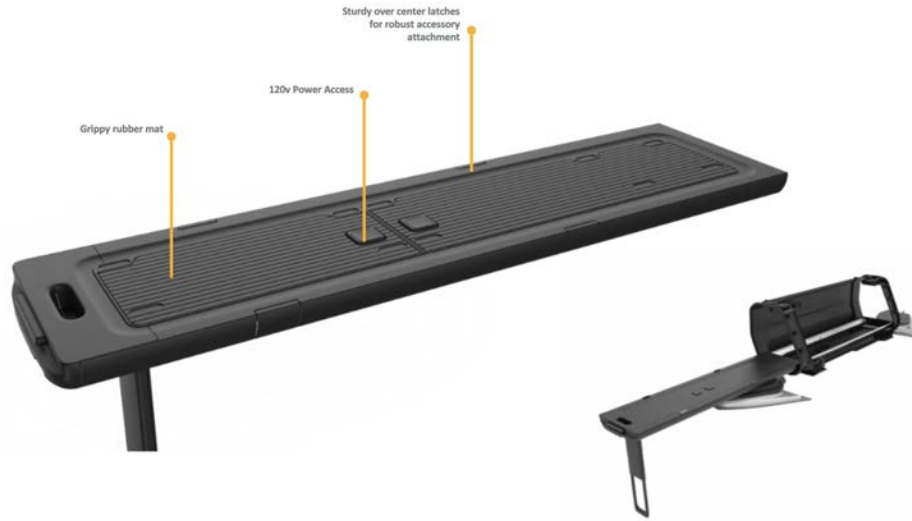
To avoid a risk of fire or thermal event, be careful when using any power outlets, particularly when the vehicle is in Drive, the outlets are powered on, or any devices plugged into the outlets are left unattended.

- Don't let objects obstruct any outlets being used.
- Turn off and unplug the 110 V outlet in the Gear Tunnel before closing the Gear Tunnel doors.
- Note that objects stored in the Gear Tunnel may shift around during driving.



### CAUTION

Don't use an outlet with any device that requires over 1500 W of power.



[[consider illustration with numbered callouts]]

Item	Description
1	110 V power outlets
2	12 V USB power outlets

### Pulling Out the Shuttle for Use



#### **WARNING**

Ensure your vehicle is level.

[[is there a self-leveling feature?]]





[[consider overall illustration of Gear Tunnel shuttle]]

[[Stating "right" for the Gear Tunnel door because the passenger side could change in different countries.]]

1. Open the right Gear Tunnel door.
2. Press and hold the slide lock button on the shuttle and pull it out from the Gear Tunnel.

### NOTE

The shuttle offers 10 length options. Release the slide lock button when the shuttle is extended to the length you want.

3. [[consider illustration of Gear Tunnel open with arrow pointing to slide lock button on shuttle and shuttle being pulled out of Gear Tunnel]]
4. Pull the leg release lever and lower the leg into place.

### NOTE

You can shorten or extend the lower section of the leg to adjust to the ride height your vehicle uses.

5. [[consider illustration of arrow pointing to leg release button and shuttle leg lowering into place]]



### WARNING

The maximum load capacity is ?? lbs (?? kg) for the shuttle.

[[add load capacity?]]

### Shuttle Maintenance

1. Replace the covers to protect the power outlets.
2. Clean the shuttle with a solution of water and standard car wash liquid. Do not use cleaners that contain bleach, ammonium, or alcohol.
3. Dry the shuttle with a towel before stowing it.

[[Should we state mild detergent instead of standard car wash liquid? For now use the first two sentences of the Crossbars maintenance section for step 2, except mention the shuttle instead.]]

## **Security**

### **Gear Guard**

Vision module and camera

Bed module with cable attachment location

1 gear guard cable

Gear Guard is the theft deterrence system for belongings stored in the truck bed. It consists of

Security cameras

Alarm system

Locking cables

### **Security System (Alarm)**

[[Content TBD]]

### **Automatic Incident Reporting**

[[Content TBD]]

## Camping and Off-Road

### Camping

#### *Rivian* Camp Kitchen

The *Rivian* Camp Kitchen includes the following:

- Induction cooktop
- Water container
- Collapsible sink
- Faucet with hose reel
- Lights stored in a drawer
- Cookware

[[consider illustration of built-out Camp Kitchen for context]]

#### Installing the Camp Kitchen

The Camp Kitchen is made up of the following:

- Water module
- Sink module
- Cooktop module

[[include weight of each module?]]



#### **WARNING**

- Ensure your vehicle is level.
- Lift each module with care.

[[is there a self-leveling function?]]

To install the Camp Kitchen on the Gear Tunnel™ shuttle, follow these instructions:

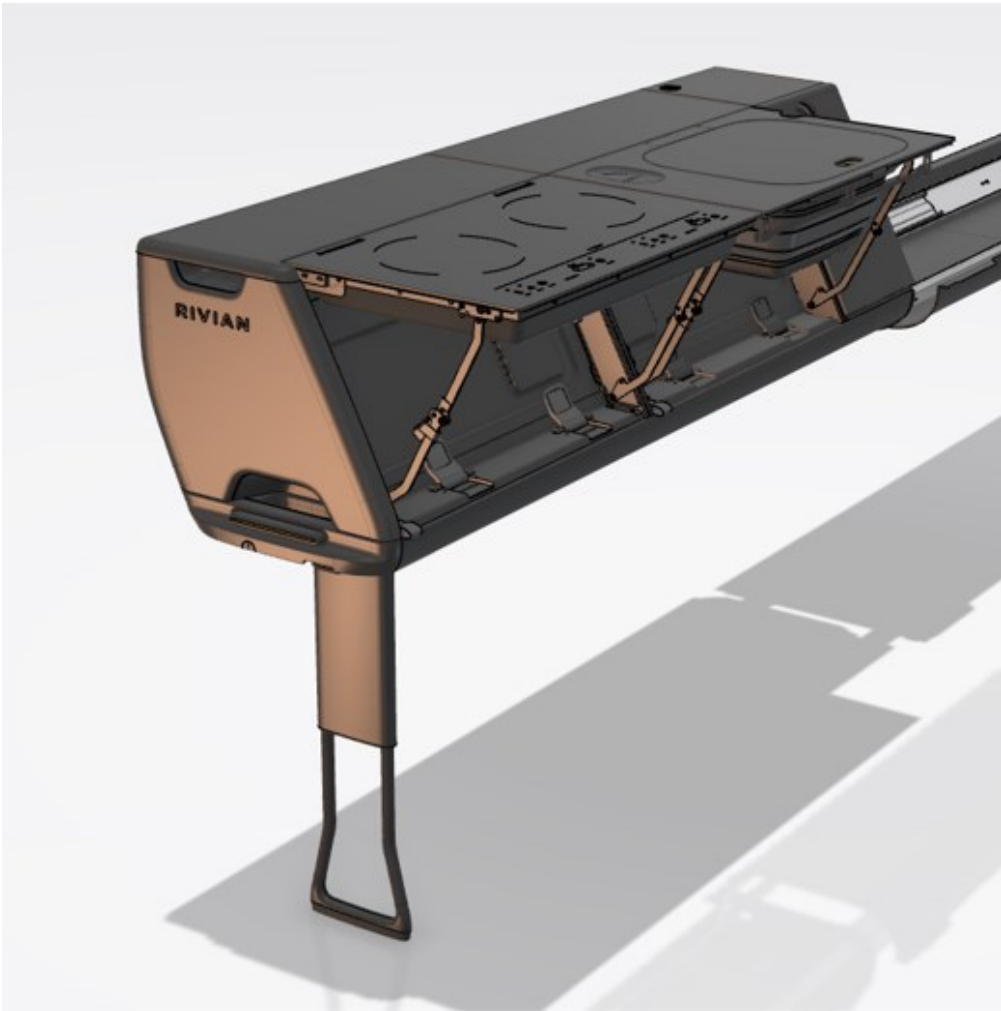




Rivian Proprietary & Confidential Draft - DO NOT DISTRIBUTE



Rivian Proprietary & Confidential Draft - DO NOT DISTRIBUTE



Rivian Proprietary & Confidential Draft - DO NOT DISTRIBUTE



Rivian Proprietary & Confidential Draft - DO NOT DISTRIBUTE

[[Stating "right" for the Gear Tunnel door because the passenger side could change in different countries.]]

1. Open the right Gear Tunnel door.
2. Press and hold the slide lock button on the shuttle to pull it out from the Gear Tunnel.
3. [[consider illustration of Gear Tunnel open with arrow pointing to slide lock button on shuttle and shuttle being pulled out of Gear Tunnel]]
4. Pull the leg release lever and lower the leg into place.
5. [[consider illustration of arrow pointing to leg release button and shuttle leg lowering into place]]

### Installing the Water Module

1. Lift the water module and lower it onto the shuttle closest to the vehicle.
2. Lift the paddle latch to lock the water module to the shuttle.
3. [[consider illustration of water module being lowered to shuttle and zoom to paddle latch with arrow pointing in direction to close]]

### Installing the Sink Module

1. Lift the sink module and lower it onto the shuttle next to the water module.
2. Pull the webbing and lift the sink.
3. Press the safety latch to lock the sink into place.
4. Lift the paddle latches to lock the sink module to the shuttle.
5. [[consider illustration of sink module being lowered to shuttle and zoom to paddle latch with arrow pointing in direction to close]]

### Installing the Cooktop Module

1. Lift the cooktop module and lower it onto the shuttle above the leg.
2. Pull the webbing and lift the induction cooktop.
3. Press the safety latch to lock the cooktop into place.
4. Lift the paddle latches to lock the cooktop module to the shuttle.
5. [[consider illustration of cooktop module being lowered to shuttle and zoom to paddle latch with arrow pointing in direction to close]]
6. Open the electrical access door.
7. Remove the cover from the 110 V power outlet, and insert the power plug for the cooktop into the outlet.
8. Close the electrical access door.

9. [[consider illustration of open electrical access door and zoom showing power plug being inserted into outlet with arrow]]

[[Check to see if the cooktop should be plugged in immediately during Camp Kitchen installation or later when they are ready to use the cooktop--what is preferred?]]

[[Should step-by-step instructions to open the Gear Tunnel be included here? consider keeping it general in case the UI changes]]

[[Should the modules be installed in this order: cooktop, sink, and then water?]]

### **Pulling Out the Camp Kitchen for Use**



#### **WARNING**

Ensure your vehicle is level.

[[is there a self-leveling feature?]]

After you've arrived at your destination and you're ready to use the Camp Kitchen, follow these instructions:

1. Open the right Gear Tunnel door.
2. Press and hold the slide lock button on the shuttle and pull it out from the Gear Tunnel.
3. [[consider illustration of Gear Tunnel open with arrow pointing to slide lock button on shuttle and shuttle being pulled out of Gear Tunnel]]
4. Pull the leg release lever and lower the leg into place.
5. [[consider illustration of arrow pointing to leg release button and shuttle leg lowering into place]]

[[Should step-by-step instructions to open the Gear Tunnel door be included here? consider keeping it general in case the UI changes]]

[[The following is in this order: water, sink, lights, cooktop in consideration of how a setup might proceed.]]

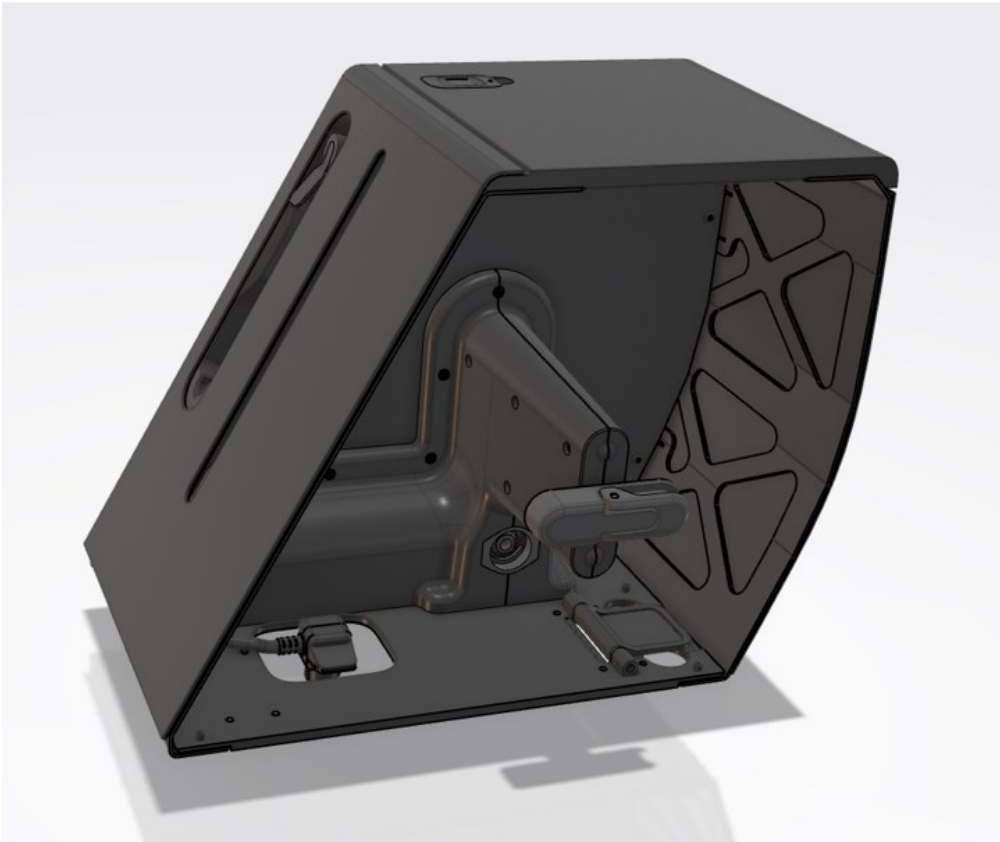
## Storing Water

When you insert the water container into the water module, the water container connects to the powered pump and faucet with hose reel so it's easy to dispense water.



[[consider top and front, angled illustration with numbered callouts]]

Item	Description
1	USB-C power outlet for lights or a device
2	Faucet with hose reel
3	Water level window



Rivian Proprietary & Confidential Draft - DO NOT DISTRIBUTE





[[Questions and feedback from review: Any health concerns about storing the water for a long time? Do we have any recommendations or guidelines for how long to store water? Temperatures? Any guidelines re sub-freezing temperatures? Could the container crack if the water freezes?]]

## NOTES

- Purify or filter the water as needed.
  - Replace your stored water on a regular basis, at least every six months.
  - Don't fill the water container to the top. Allow room for expansion in case the water freezes.
1. Stow the Camp Kitchen and shuttle inside the Gear Tunnel.
  2. Open the left Gear Tunnel door to access the water module.
  3. If necessary, turn the safety lever 90° to a vertical orientation and remove the water container.

4. Turn the water container cap in a counterclockwise direction to open it.
5. Fill the water container and close the cap.
6. Insert the water container into the water module.
7. [[consider illustration showing the water module with the safety lever in the vertical direction and water container being inserted with arrow showing direction of insertion]]
8. Turn the safety lever 90° to a horizontal orientation and lock the water container into place.
9. [[consider illustration showing the water container in the water module and safety lever being turned with arrow showing the turn direction]]
10. Close the left Gear Tunnel door.
11. When you use the Camp Kitchen, the pump will send water to the faucet when you use it.

[[Is the vertical state the default for the safety lever?]]

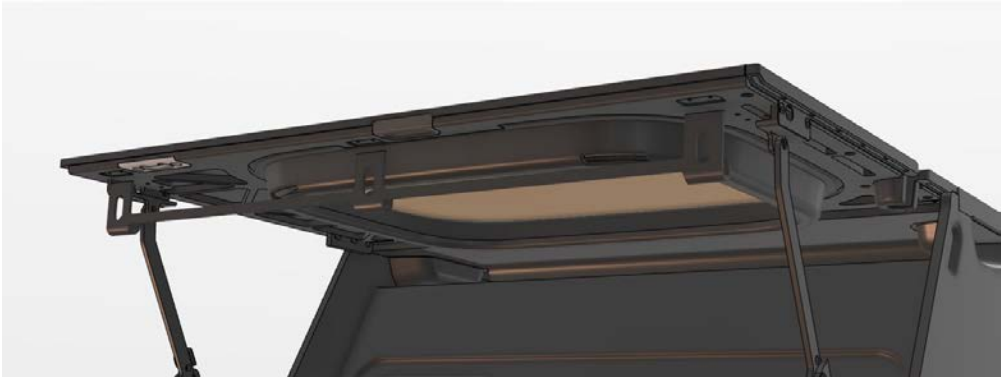
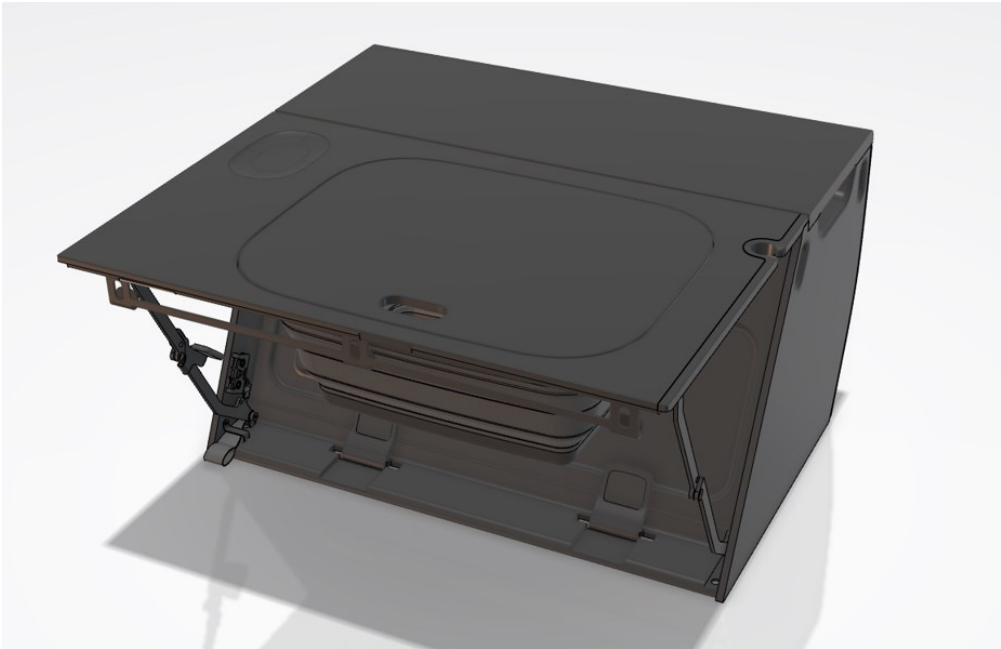
### Using the Sink

Expand the sink when you want to use it and collapse it when you want to put it away. You can also lift the sink and use its handles to carry it around.

The sink lid is reversible so you can use the underside as a chopping board.

[[consider angled illustration with numbered callouts, possibly show two different angles so all items are visible]]

Item	Description
1	Spoon rest
2	Sink lid or chopping board
3	Faucet holder
4	Bottle opener
5	Towel bar or trash bag holder
6	Electrical access door
7	Portable sink with handles



Rivian Proprietary & Confidential Draft - DO NOT DISTRIBUTE



[[consider illustration with sink module being lifted with zoom to safety latch]]

1. Pull the webbing and lift the sink.
2. Press the safety latch to lock the sink into place.
3. Press the sink lid release tab and lift the sink lid from the sink.
4. Expand the sink to full capacity for use.
5. Hang the faucet on its holder.

### Charging a 110 V Device

You can open the electrical access door and plug a device into the 110 V power outlet. Ensure that 110 V outlets are turned on in the vehicle or mobile app.

[[Turning on/off 110 V outlets doesn't seem to be in the mobile app at SOP.]]



### DANGER

To avoid a risk of fire or thermal event, be careful when using any power outlets, particularly when the vehicle is in Drive, the outlets are powered on, or any devices plugged into the outlets are left unattended.

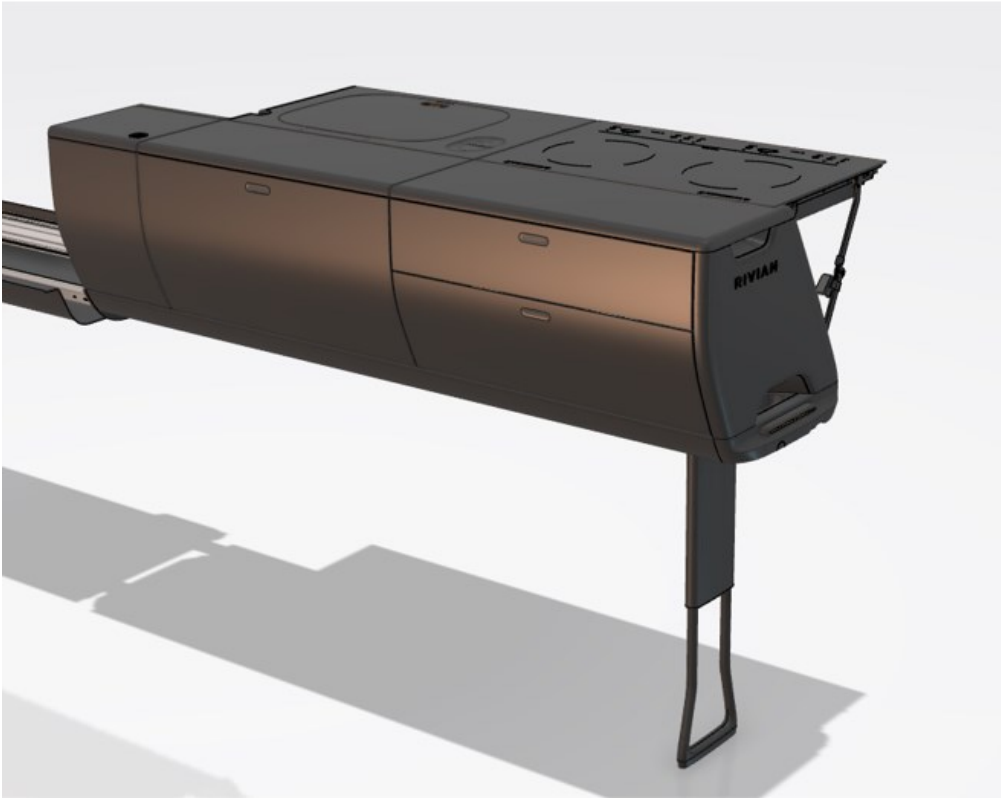
- Don't let objects obstruct any outlets being used.
- Turn off and unplug the 110 V outlet in the Gear Tunnel before closing the Gear Tunnel doors.
- Note that objects stored in the Gear Tunnel may shift around during driving.



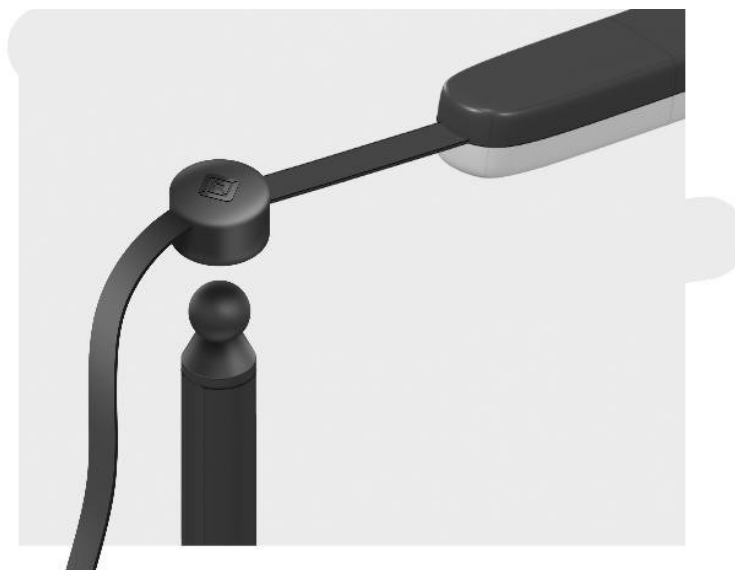
### CAUTION

Don't use an outlet with any device that requires over 1500 W of power.

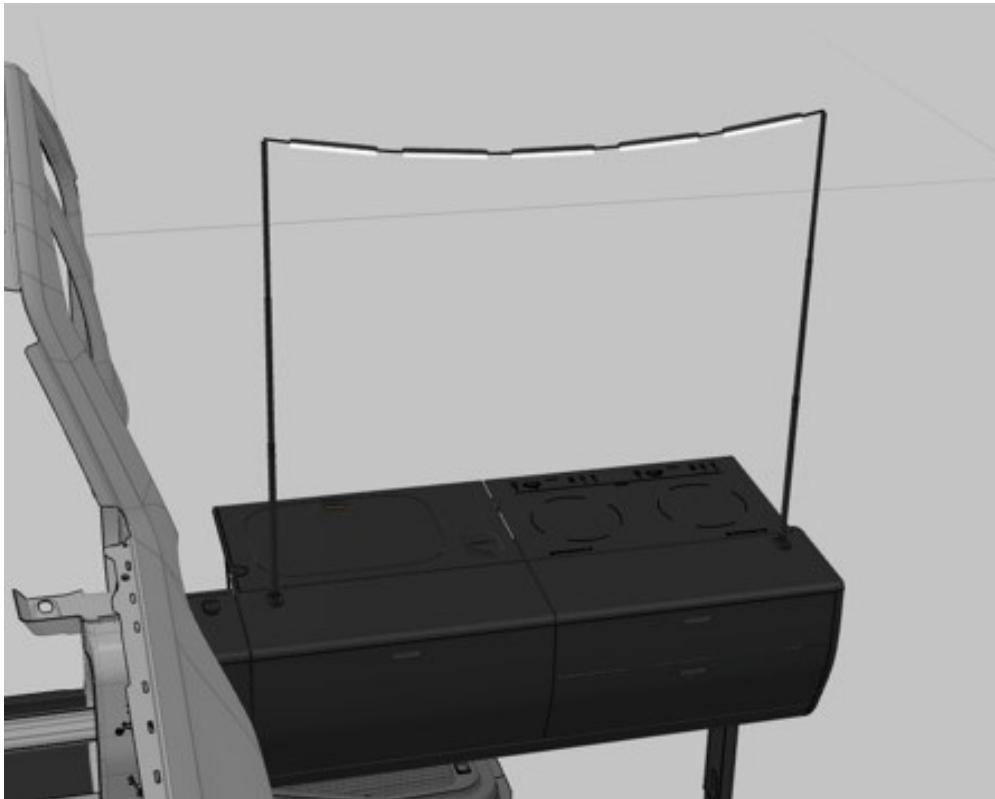
Setting Up Lights



Rivian Proprietary & Confidential Draft - DO NOT DISTRIBUTE



Rivian Proprietary & Confidential Draft - DO NOT DISTRIBUTE



[[consider illustration showing zoom of pole tip with arrow going in direction of cap, poles being extended to full length, zoom of bottom of pole with arrow going to light pole holder, zoom of power cord going to USB-C power outlet; so illustration with three zooms or may be more than 1 illustration]]

The light poles and string of lights are stored in the lower drawer behind the cooktop.

[[Confirm the final location where the lighting is stored.]]

### Setting Up Lights

1. There is a cap at each end of the string of lights. Insert each pole tip into each cap until it fits snugly.
2. Extend each pole to its full length.
3. The string of lights has one end with the power cord. On this end, insert the bottom of the pole into the light pole holder on the sink countertop.
4. Insert the bottom of the other pole into the light pole holder on the cooktop countertop.



- 5. Connect the USB-C power cord to the 12 V USB-C power outlet on top of the water module.

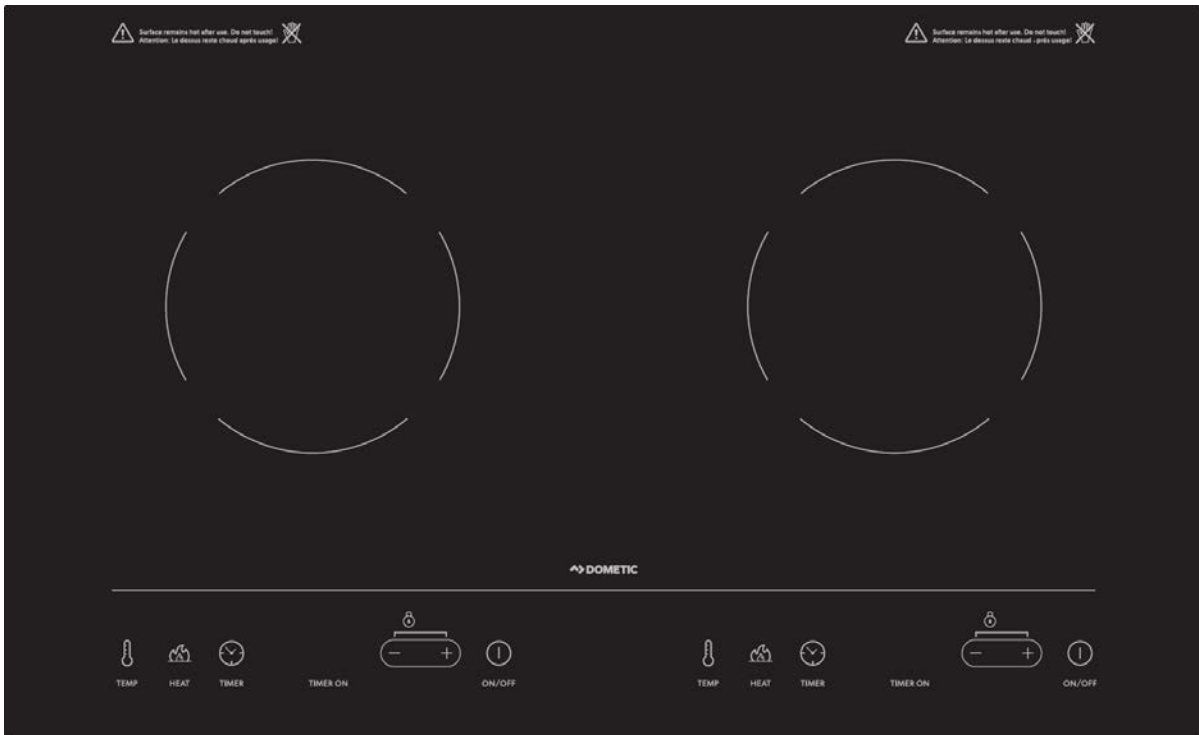
[[Is there an on/off switch for the lights?]]

[[Need to confirm final design of lights.]]

[[Need to confirm that each pole needs to be extended. Seems like it's too long to fit into a drawer.]]

### Cooktop Controls

The induction cooktop heats up food or liquids in magnetic cookware, which is stored in the drawers. If you use other cookware, ensure it is magnetic. (You can use a magnet to test cookware; if the magnet sticks to the bottom, the cookware works on an induction cooktop.)



[[consider top illustration with numbered callouts and request separate illustrations for control/button icons]]

Each cooking zone has its own set of controls.

Item	Description
1	Cooking zones
2	Temperature
3	Heat
4	Timer
5	Timer On display
6	- or + to adjust temperature, heat, or timer Cooktop lock or unlock when pressed together
7	On/Off
8	Air vents underneath the cooktop



### CAUTION

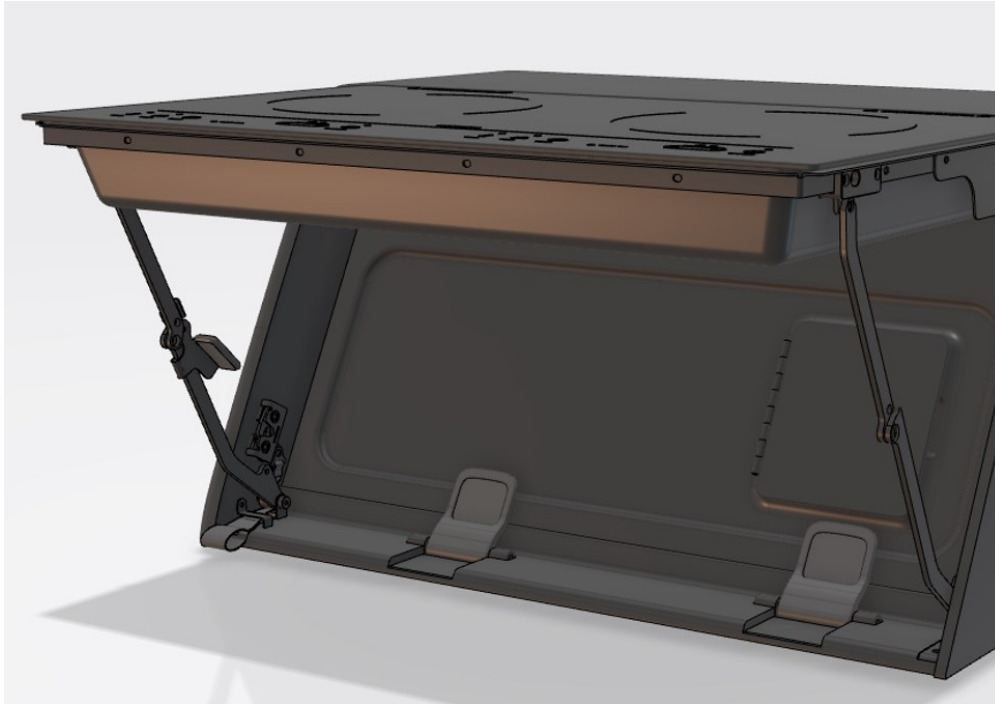
Keep the area around the air vents open so the cooktop won't overheat. If it overheats, the cooktop will automatically turn itself off. Wait up to 10 minutes before turning the cooktop back on.

[[Check to see if 10 minutes is the appropriate number to state.]]

### NOTES

- If a cooking zone doesn't detect magnetic cookware, an alarm will sound and the Timer On display will indicate U. If magnetic cookware is not detected within 10 seconds, the cooking zone will automatically turn off.
- If a cooking zone doesn't turn on, ensure that you have turned on 110 V outlets in the vehicle or mobile app.
- If a cooking zone is locked, lift the cookware from the cooking zones or push the **On/Off** button to turn off the cooktop.

## Heating Food or Water



[[consider illustration with cooktop module being lifted with zoom to safety latch]]

[[Turning on/off 110 V outlets doesn't seem to be in the mobile app at SOP.]]

1. Turn on 110 V power outlets in the vehicle.
2. Pull the webbing and lift the induction cooktop.
3. Press the safety latch to lock the cooktop into place.
4. Put the food or water into your cookware and place the cookware on a cooking zone.
5. Push the **On/Off** button to turn on the cooktop.
6. Push the **Temp** button and adjust the temperature level.
7. Push the **Heat** button and adjust the heat intensity level.
8. To use the timer, push **Timer** and adjust the time period from 1 minute to 3 hours.

### NOTE

Push the - or + button briefly to adjust the time by 1-minute increments. Push and hold the - or + button to adjust by 10-minute increments.

9. When the timer expires, the cooktop turns off automatically. Push any button to turn off the beeping timer.

To manually turn off the cooktop, push the **On/Off** button.



## **WARNING**

The cooktop remains hot after use. Wait up to 10 minutes for the cooktop to cool down before stowing the Camp Kitchen.

[[check to see if 10 minutes is an appropriate number to state]]

## **NOTE**

Power to the cooktop, 12 V USB outlet for the lights, and built-in water pump is automatically disabled when you stow the Camp Kitchen.

## **Cooktop Maintenance**

Before you clean the cooktop, ensure it is turned off and the cooktop has cooled down.

- Use glass cleaner and a soft cloth to clean the cooktop.
- Do not use harsh chemicals or abrasives.
- Occasionally wipe the air vents with a soft dry cloth to remove any dust or dirt.



## **CAUTION**

Do not use water to clean the air vents.

## **Camp Kitchen Maintenance**

1. Clean the outer surfaces of the Camp Kitchen (except for the cooktop) with a solution of water and standard car wash liquid. Do not use cleaners that contain bleach, ammonium, or alcohol.
2. Dry the Camp Kitchen with a towel before stowing it.

[[Should we state mild detergent instead of standard car wash liquid? For now use the first two sentences of the Crossbars maintenance section for step 1, except mention the Camp Kitchen instead.]]

[[get the dimensions and total weight; any other specs to list for Camp Kitchen? water container capacity (4 gallons or 5 liters) may change, so remove it from the specs table]]

### Camp Kitchen Specifications

Item	Value
Dimensions	?? in Height x ?? in Length x ?? in Width (?? mm x ?? mm x ?? mm)
Weight	?? lb (?? kg)
Cooktop applied voltage/frequency	120 VAC, 60 Hz
Rated power per cooking zone	1440 W
Cooktop current draw	Up to 13.2 A

This device complies with Part 15 of the FCC Rules and with Industry Canada license-exempt RSS standard(s) using limits for a Class B digital device. These limits are designed to provide reasonable protection against harmful interference in a residential installation. Operation is subject to the following two conditions:

1. This device may not cause harmful interference, and
2. This device must accept any interference received, including interference that may cause undesired operation.



### CAUTION

Changes and modifications made to this equipment not expressly approved by the manufacturer may void the FCC authorization to operate this equipment.

Le présent appareil est conforme aux CNR d'Industrie Canada applicables aux appareils radio exempts de licence. L'exploitation est autorisée aux deux conditions suivantes:

1. l'appareil ne doit pas produire de brouillage, et
2. l'appareil doit accepter tout brouillage radioélectrique subi, même si le brouillage est susceptible d'en compromettre le fonctionnement.



[[placeholder]]

### **Warranty**

[[if there is a stand-alone printed guide, will it suffice to have a line referring to the warranty at [rivian.com](http://rivian.com)?]]

This product is covered by a limited warranty from XXXXXX

### **Customer Service**

Still need help? Connect with us 8 AM–8 PM (CT) Mon–Fri.

Call [\(888\) RIVIAN1](tel:888RIVIAN1) / [\(888\) 748-4261](tel:8887484261).

Write [customerservice@rivian.com](mailto:customerservice@rivian.com).

Chat or find answers at [rivian.com](http://rivian.com).

---

## **Rivian Three-Person Tent**

The *Rivian* Three-Person Tent includes:

- Tent
- Ladder
- Rainfly
- Cover
- Keys
- Mounting Hardware

[[Does the owner need to add the mounting hardware?]]

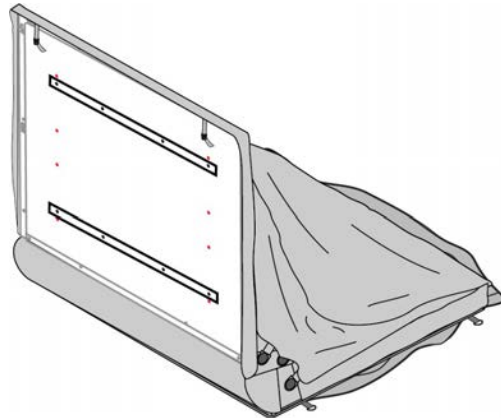
[[Placeholder graphics are used throughout this document. Figures will not contain text.]]

### **Assemble the Tent**

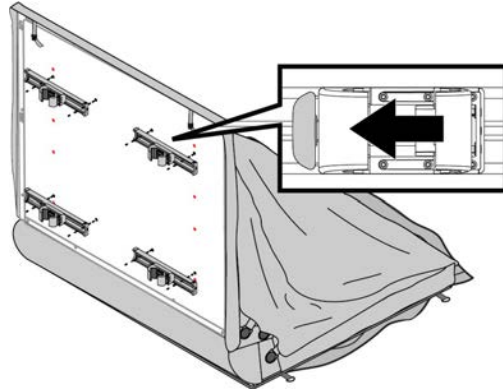
1. Remove the ladder and mounting hardware from the tent.
2. Open the tent with the mounting holes in a vertical position.

### **Prepare the Clamp Knobs**

1. Puncture the stickers over the mounting holes. [[Will we have stickers to puncture?]]

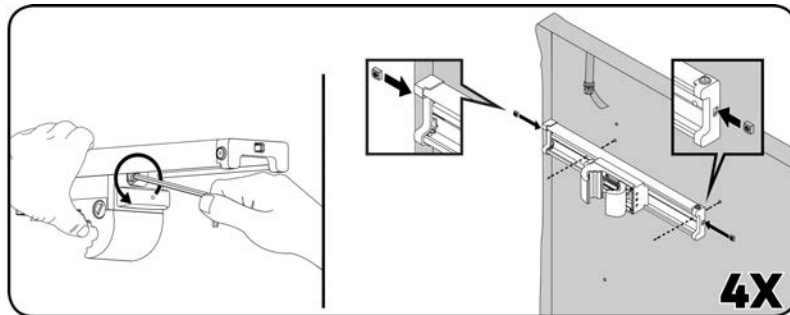


2. Position all of the clamp knobs so they are facing toward the left side as shown in the figure. The locks face the right side.



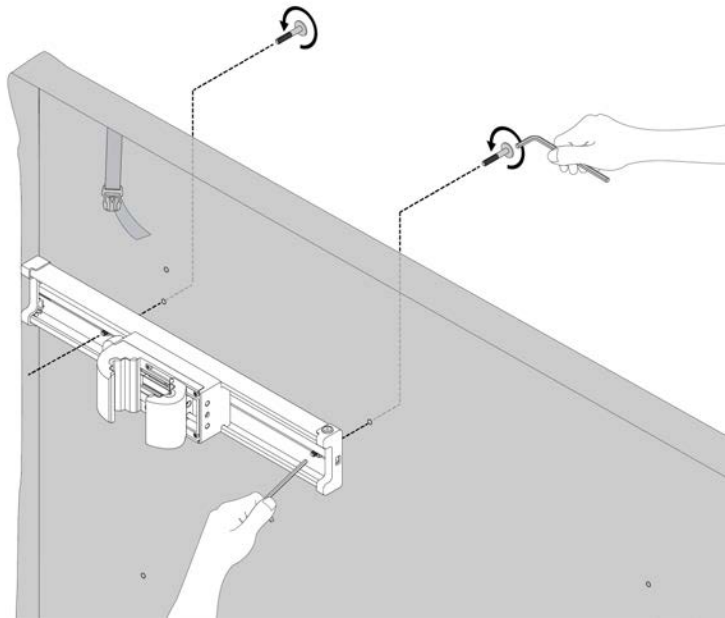
### Prepare the Mounting Clamps

1. Use a 5 mm hex wrench to loosen the slider bolt on the mounting clamp.
2. Slide two of the square nuts into each mount.
3. Repeat the process of loosening the slider bolt and installing square nuts for each of the mounting clamps.





## Attach the Mounting Clamps



1. Reach under the mattress and push the bolt through the mounting hole. You can also remove the mattress for easier access to the mounting holes. [[possibly omit this step in production version if we are going to have a mounting plate?]]
2. Use the end of the 5 mm hex wrench to align the square nuts to the bolt ends.
3. Hand-tighten the bolts into the square nuts.
4. Completely tighten the bolts with the 5 mm hex wrench. [[Yakima listed torque on their illustration. I'm assuming we are not going to list that because the owner is not using a torque wrench]]

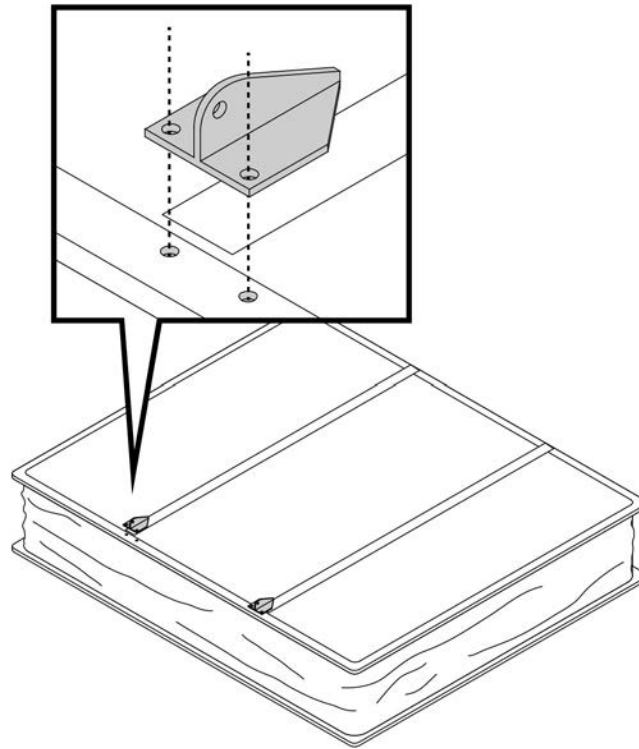
### NOTES

- Ensure the clamp knobs face the same direction and the locks are facing out on the same side
- Ask a friend to hold the tent steady when installing the clamps

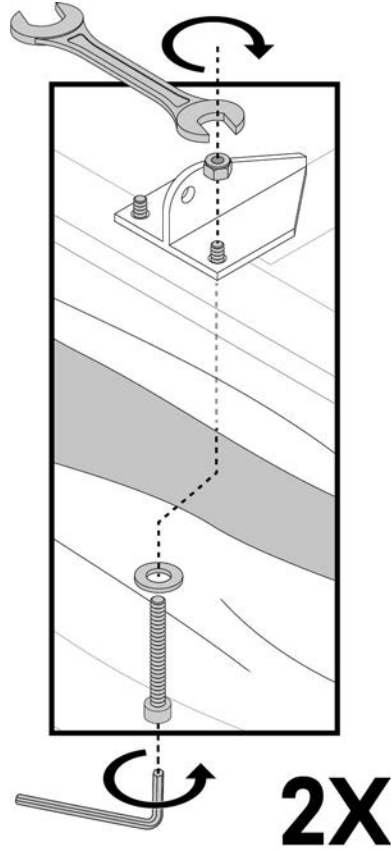
## Attach the Ladder Brackets

1. Flip the tent over to rest on the clamps.
2. Remove the stickers that cover the pre-drilled ladder bracket holes.

- 
3. Put a washer on each of the long bolts.
  4. Position the ladder bracket over the holes.



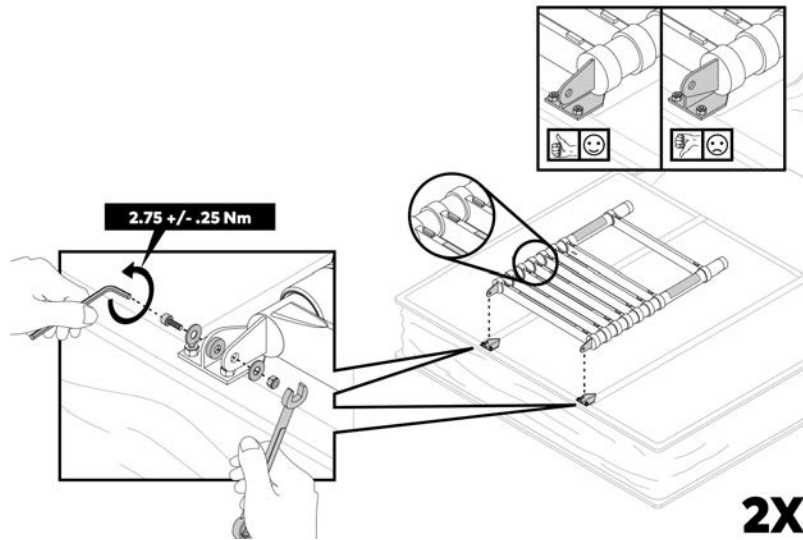
5. Reach under the mattress and insert the two long bolts with washers through the floor and bracket.
6. Hand-tighten the lock nuts on each of the long bolts.
7. Tighten the bolts and lock nuts with the 8 mm hex wrench and 13 mm open-ended wrench.



8. Repeat for the second ladder bracket.

**Attach the Ladder**

1. Position the ladder so the information stickers are visible and the top brackets are aligned with the flat edge down.
2. Fasten the ladder with the short bolts, washers, plastic bushings and lock nuts as shown in the figure.



3. Use the 8 mm hex wrench and 13 mm open-ended wrench to fully tighten the hardware on both ladder clamps.

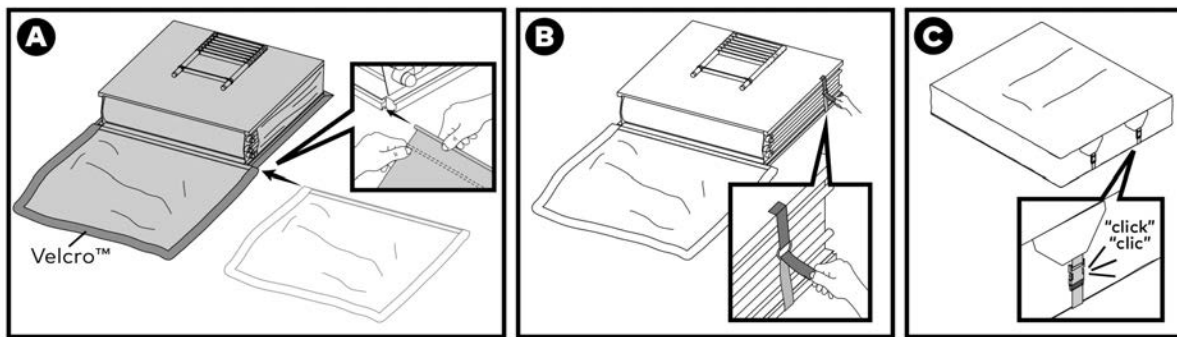


## WARNING

Ensure the ladder bolts are fully tightened to avoid injury.

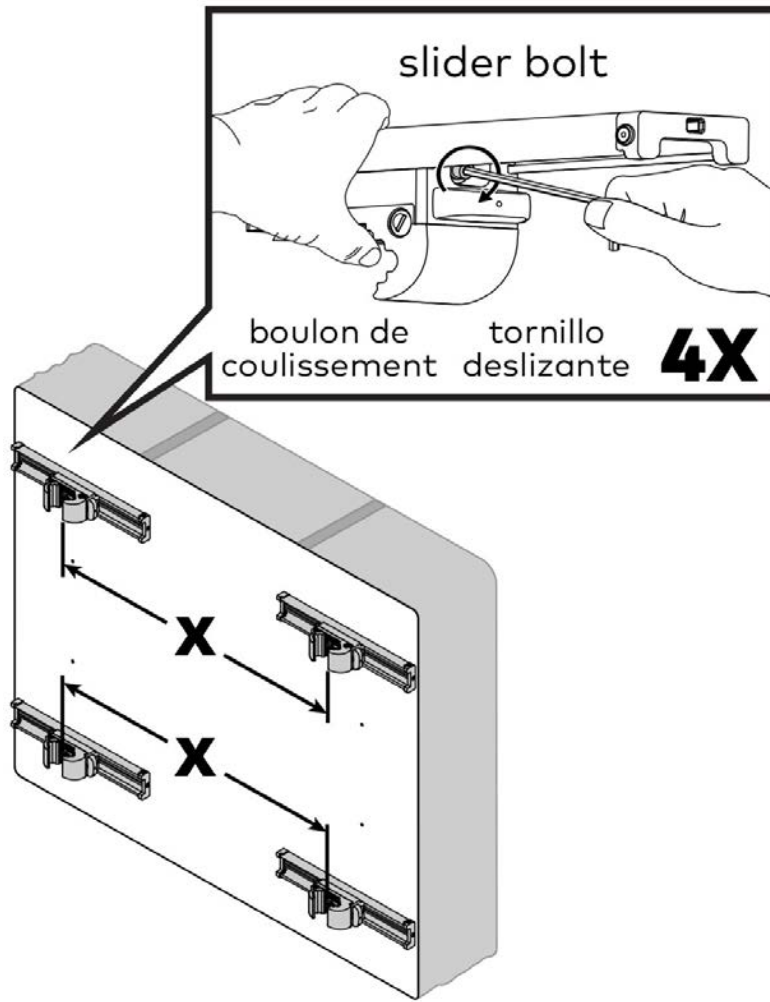
### Install the Cover

- A. Slide the cover with the Velcro™ side up into the round channel on the edge of the tent.
- B. Secure the Velcro ties. Do not over-tighten the ties.
- C. Install the cover, secure the buckles, and zip the cover to close.



### Prepare the Clamps for Installation

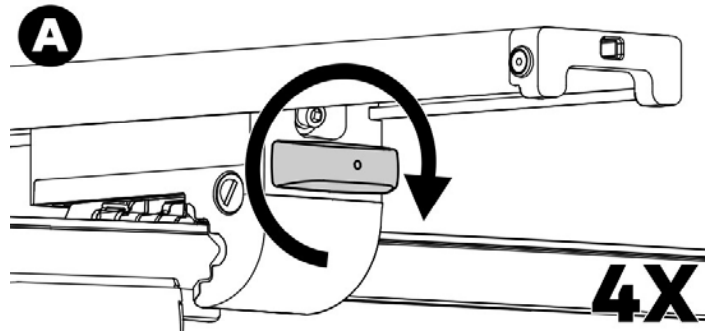
1. Measure the distance (X) between the centers of the crossbars on the vehicle.
2. Tilt the tent on its side and open the clamps completely.
3. Slide the clamps in the track to match the measured crossbar center distance (X). Measure from the fixed side of the clamp.
4. Set the distance between the clamps and then tighten all of the slider bolts.



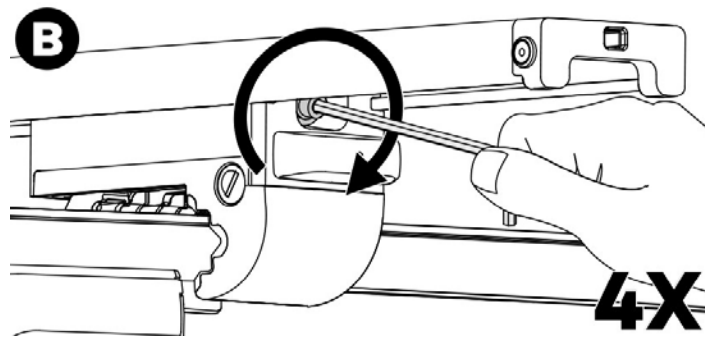
### Install the Tent on the Vehicle

1. Ask a friend to help lift the tent onto the vehicle crossbars.
2. Tighten the clamps as follows:

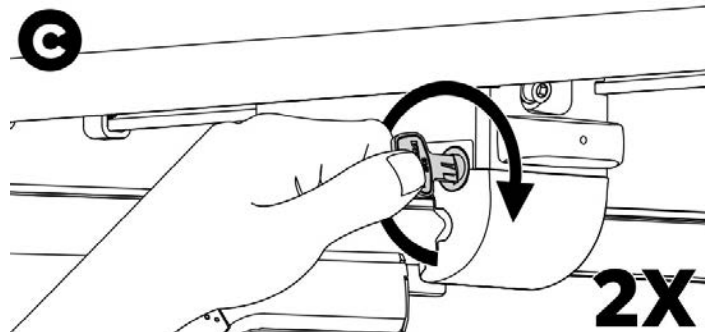
A. Tighten the clamps around the crossbars



B. Completely tighten the slider bolt on each clamp.



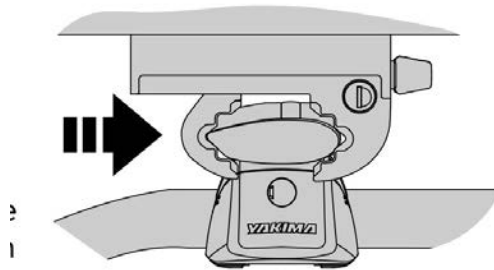
C. Lock the clamps with the key.



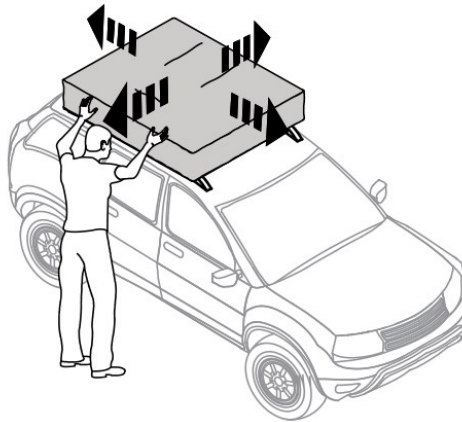


## CAUTION

Ensure the clamps are correctly seated on the crossbars so the tent doesn't slide.



Test the installation and re-tighten the clamps if necessary.



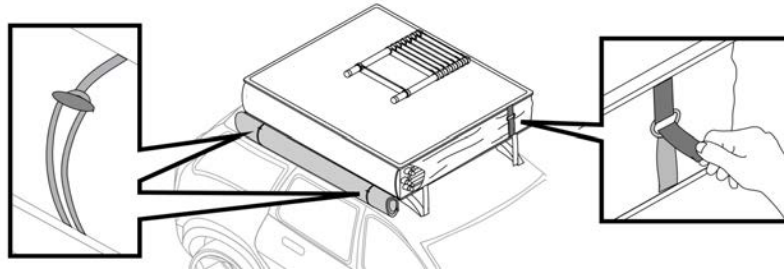
### Using the *Rivian* Three-Person Tent at a Campsite

1. Find a level place to park.
2. Unzip and unbuckle the tent cover.
3. Fold the tent cover forward, then roll it up and secure it with the ties.



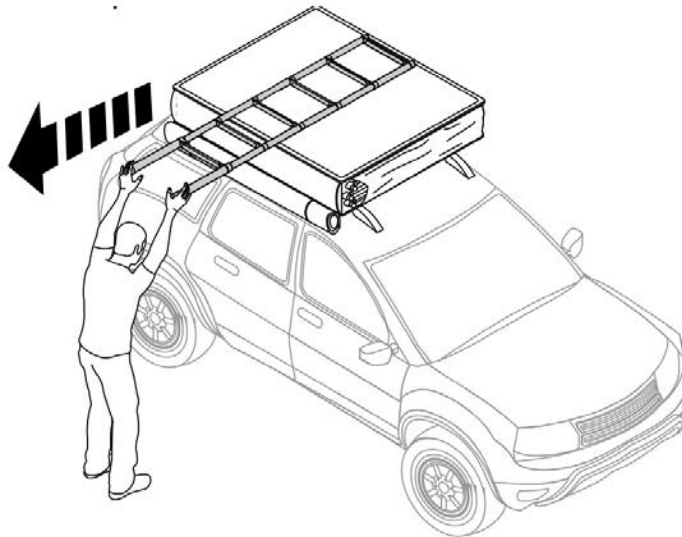
---

4. Release the Velcro straps.

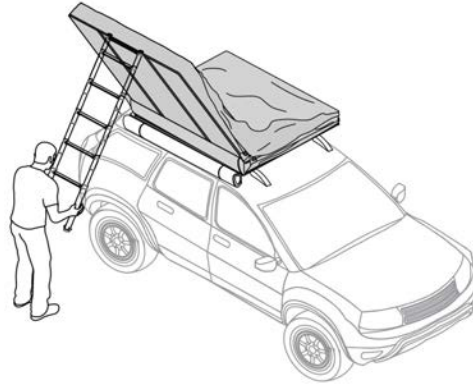


### Deploy the Tent and Adjust the Ladder

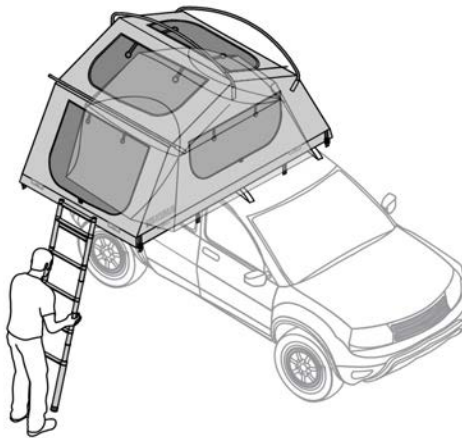
1. Release the ladder strap, then grab the bottom rung of the ladder and pull to extend the ladder.



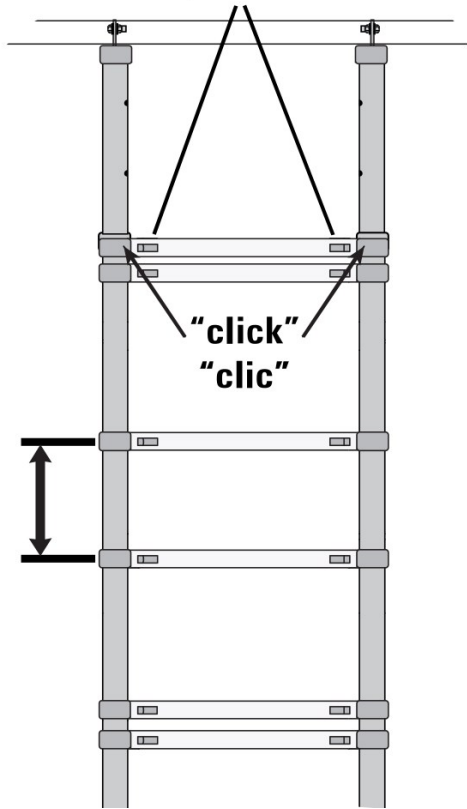
2. Push down on the ladder and walk 2 or 3 steps backward to open and unfold the tent.



3. Securely grasp the ladder and use it to lower the tent until it is fully open and the floor of the tent is flat. Rest the feet of the ladder on the ground.



4. Set the ladder as follows:
  - Ensure the top rung is locked into one of the 3 positions. Listen for a "click" sound as each rung locks into place.
  - Adjust the ladder so the tent floor is level.
  - Set the ladder angle between 75° and 90°.
  - Stack the unused rungs under the top step of the ladder.
  - Do not install ladder extensions



## WARNING

- Don't retract the ladder while it is in use. The ladder must remain in place to support the tent.
- Use caution while climbing up and down the ladder.
- Assist children on the ladder.

### Install the Rainfly

1. The easiest way to install the rainfly rods is from the inside of the tent.
2. Attach the rainfly to the outside of the tent. Climb into the tent with the rainfly rods.
3. Open the side windows. Find the two rainfly rod flaps under each window.
4. With a rainfly rod in hand, reach through the side window. Install the straight end of the rainfly rod into the flap and the curved end into the grommet holes on the rainfly. Repeat for the other rainfly rods.

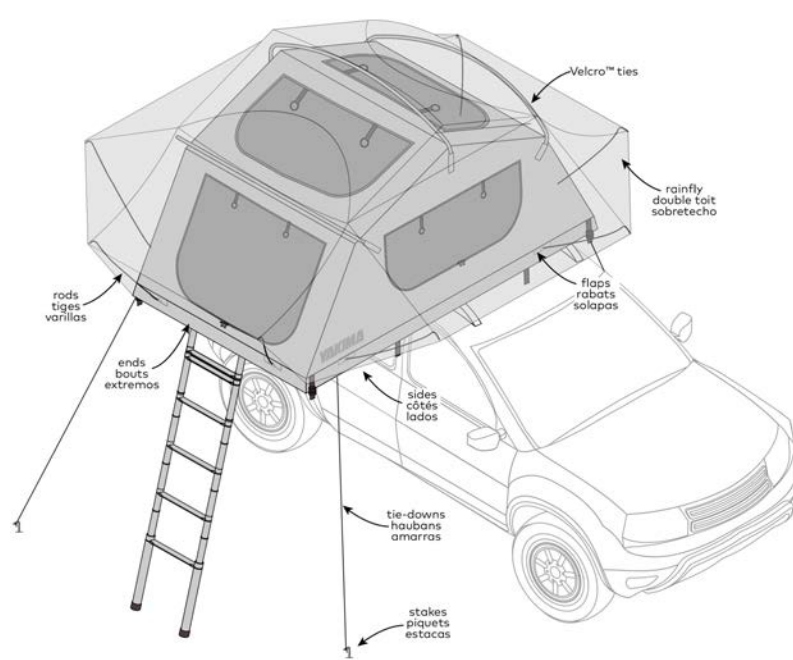


## CAUTION

The rainfly rods are under tension when installed. Position your body to the side of the rod when installing or uninstalling. The rod could spring out of place and cause injury if you are directly under the rod.

### Remove the Rainfly

1. To remove the rainfly, unhook the buckles and then carefully remove the rainfly rods from the inside of the tent.
2. Lift the rainfly with the rainfly hoops.



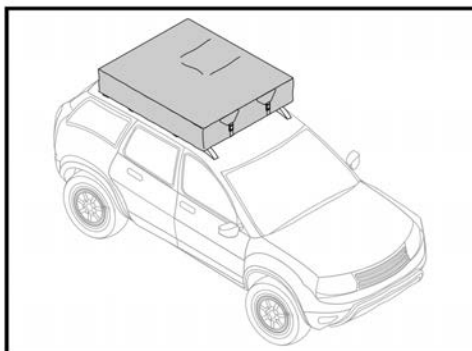
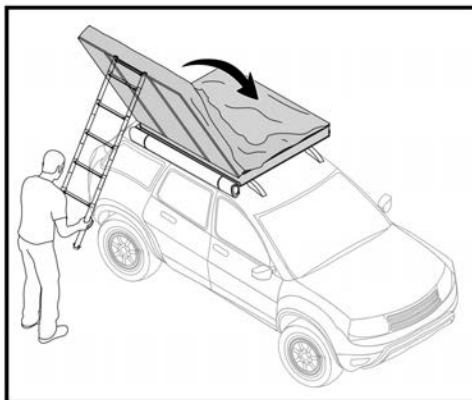
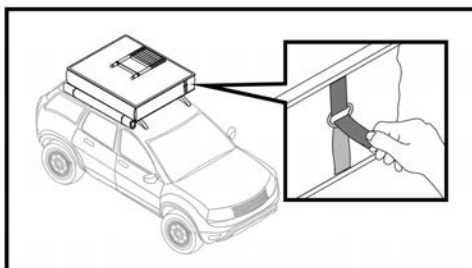
### Close and Secure the *Rivian* Three-Person Tent

1. Use the ladder to retract and fold the tent back onto itself.
2. Collapse and fully retract the ladder.
3. Secure the Velcro straps.
4. Unroll the cover, zip the cover closed, and then buckle it up.



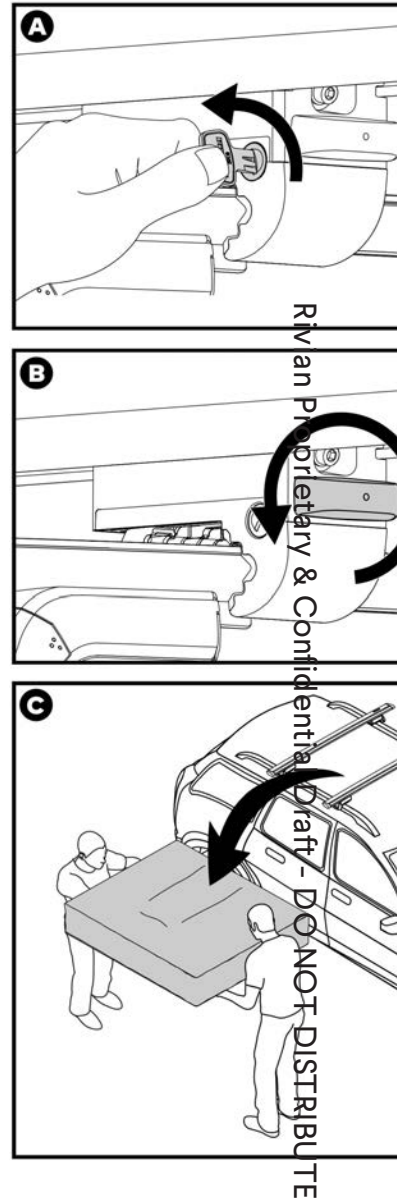
## WARNING

Never operate your vehicle with the *Rivian* Three-Person Tent open! You must close and secure the tent before driving.



## Remove the *Rivian* Three-Person Tent

- A. Unlock the clamps with the key
- B. Fully open the clamp levers.
- C. Ask a friend to help remove the *Rivian* Three-Person Tent from the vehicle.



## Weight Limits

Description	Weight
Maximum tent capacity	600 lbs (272 kg)
Maximum crossbar capacity, static (parked)	890 lbs (404kg)
Maximum crossbar capacity, dynamic	250 lbs (113 kg)

Description	Weight
(driving)	
Tent weight	115 lbs (52 kg)

## Warnings



### WARNING

- Remove the tent and crossbars before entering an automated car wash
- Do not use fuel-burning or oxygen consuming devices inside the tent. This includes candles, gas lanterns, kerosene lamps, stoves, and cooking and heating appliances.
- Do not set-up the tent near a campfire or any other flame source.
- Inspect the mounting hardware before driving
- Never extend the ladder beyond the pre-drilled holes and factory locking position
- Do not drill additional holes in the ladder.
- The ladder angle must be between 75° and 90°

Vehicle speed must be suited to the transported load and to official speed limits. When transporting any load, the driver is responsible for considering the road conditions, road surface, traffic conditions, wind, and weather. Vehicle handling, cornering, braking, and sensitivity to side winds will change with rooftop loads.

## Care and Maintenance

Following are recommended care and maintenance tips that will help prolong the life of your *Rivian* Three-Person Tent:

- Inspect the rooftop tent mounting hardware before each use. If necessary, clean the hardware with a solution of mild detergent and water. Periodically lubricate the threads on the hardware with a light, synthetic bicycle lubricant.
- Dry the rooftop tent thoroughly before you close it. If unable to properly dry your rooftop tent, open it up to air-dry at your earliest opportunity.

- 
- Failure to properly dry out the tent may cause growth of mold or mildew, which can degrade the tent material, causing degradation and foul odor. Mold and mildew growth is not covered under your warranty.
  - Store the tent in a cool, dry indoor location when not in use to prolong its life. Ensure that the tent is fully dry before storing. Pick a location that is free from direct sunlight.
  - Pull the zippers with a gentle and even force. Never force a zipper open or closed as it may damage the zipper. Keep your zippers free from dust and dirt. Periodically apply a non-scented bees wax to the zipper teeth as lubrication.
  - Wipe dirt and dust from ladder before collapsing the tent.
  - Periodically wipe down the aluminum telescoping side rails of the ladder with silicone spray and a cloth. DO NOT apply silicon spray on the ladder tread surfaces.
  - Keep your mattress dry and free from dirt. Before closing your rooftop tent, lift your mattress and ensure the underside is dry. Remove the mattress and air -dry if necessary.
  - To clean the mattress cover, remove it and machine wash on a gentle cycle setting with Woolite™ detergent. Hang dry. DO NOT TUMBLE-DRY.
  - To clean the outside of your rooftop tent, use a sponge with warm water and a mild detergent. Rinse clean with a wet sponge. Allow the tent to dry thoroughly.
  - To clean mold or mildew, clean the affected tent fabric with a sponge and a solution of 1 cup Lysol™ mixed with 1 gallon of hot water. Allow the tent to dry thoroughly. Next, prepare a solution of 1 cup lemon juice concentrate and 1 cup salt mixed into 1 gallon of hot water. Sponge the solution directly into the affected areas to rinse out the Lysol solution. Then allow the tent to air dry thoroughly. Taking these steps will stop the growth of the mildew and will help eliminate odor. However, this procedure may not remove the stains.
  - Avoid excessive sun exposure to the tent to prolong the life of the fabric. Over time, UV rays can degrade the tent fabric and waterproof coatings. If the rainfly material begins to break down due to exposure and use, wash the fabric with mild detergent and water, followed by a treatment of water repellent such as 303 Fabric Guard™. Consult your local outdoor store for other tent fabric-care products and use as directed.



---

## Rivian Camp Speaker

### Important Safety Information



#### DANGER

The rechargeable battery may explode if it is incorrectly replaced. Contact [Rivian Customer Service](#) for battery replacement. The speaker will force a shutdown to protect the battery if the temperature falls outside the range of -4°F to 140°F (-20°C–60°C).

- Read and keep these instructions.
- Heed all warnings and follow all instructions.
- **Clean only with a soft dry cloth.** Household cleaners or solvents can damage the finish.
- Openings are for ventilation. To prevent damage caused by overheating, don't block openings.
- Don't install near a heat source, such as radiators, heat registers, stoves, or other devices that produce heat.
- Avoid leaving the speaker in direct sunlight or near excessive heat. Don't leave the speaker on seats, on top of the center console, on the floor of the vehicle, or close to a camp fire).



#### CAUTION

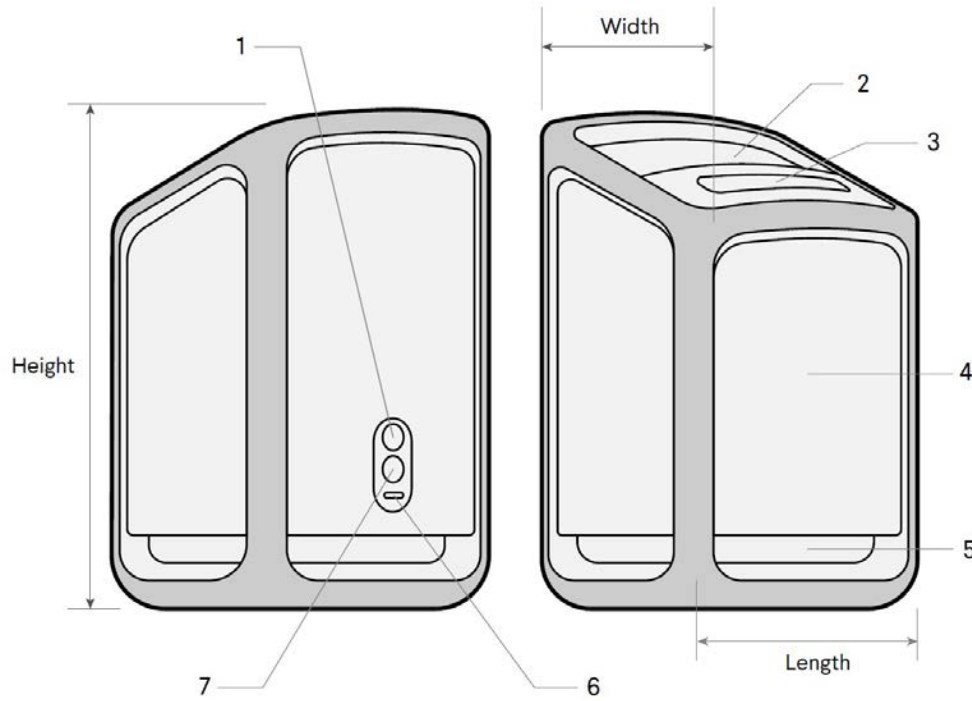
Temperatures exceeding 185°F (85°C) can damage the speaker.

- To reduce the risk of fire or electric shock, don't expose the speaker to a heavy rainstorm.
- The lantern light will quickly flash red before shutting off to indicate that the speaker is overheating or too cold.
- Only use attachments or accessories specified by the manufacturer, such as a USB-C cable.
- Ensure that any cables plugged into the speaker aren't pinched or knotted, and that cables can't be walked on or tripped on.
- Unplug attachments and accessories from the speaker during lightning storms or when stored for long periods of time.

- Refer all servicing to Rivian qualified service personnel. Servicing is required when the speaker is not functioning normally, or has been damaged in any way, such as exposure to spilled liquids, excessive rain, or moisture.

[[Battery shorting causing a thermal event

- Inability to discharge the speaker’s battery rapidly if a fault occurred
- Overcharging
- Speaker is not found: The vehicle will notify you on the (vehicle screen) if the speaker’s signal is too weak, or the speaker may be physically outside the vehicle to prevent you from losing the speaker.
- Speaker improperly latched when vehicle is in motion (warning on UI?)]



Item	Description
1	Connect button

Item	Description
2	Handle
3	Audio controls
4	Fabric speaker covers
5	Lantern
6	USB-C port
7	Lantern button

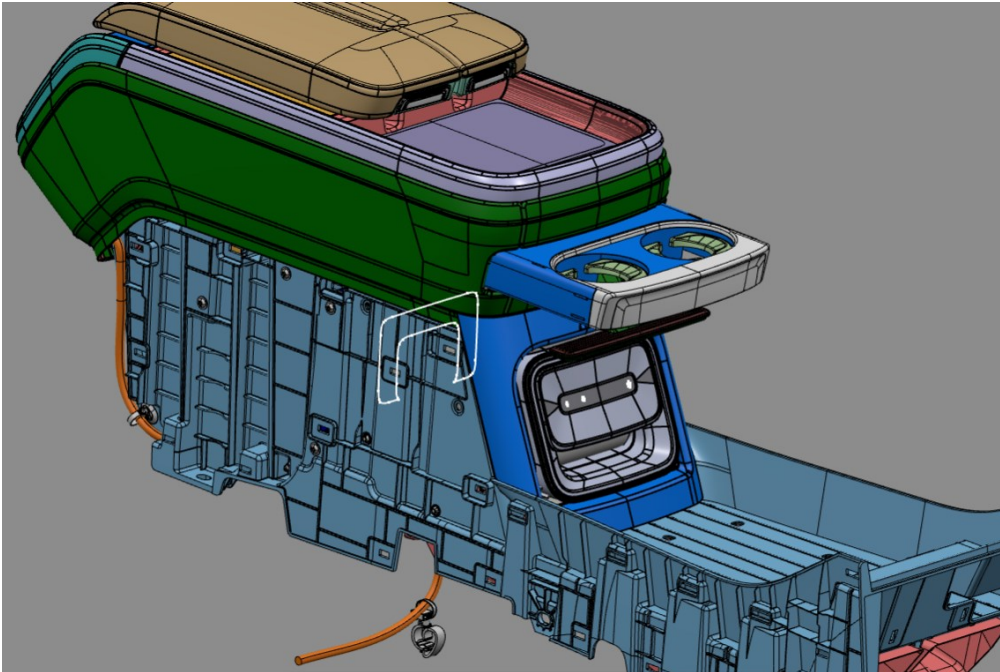
### Speaker Specifications

Item	Value
Model	RCS1.0
Dimensions	9.9 in Height x 6.7 in Length x 5.1 in Width (252 mm x 170 mm x 128.5 mm)
Weight	5.7 lb (2.6 kg)
Battery capacity (minimum)	32 Watt hours
Charge time (maximum)	3 hours
Play time (minimum, audio only)	6.5 hours
Lantern (50% brightness)	4 hours
Input current	1.5A
Input rating	Type C: DC DC5V/9V/15V/20V Pogo pin: DC12V
Output rating	Type C: DC5V/2A
Ambient temperature (operating)	32°F–104°F (0°C–40°C)

Item	Value
Safe storage temperature (non-operating)	up to 185°F (85°C)

## Getting Started

The *Rivian* Camp Speaker comes charged and ready to use with the Rivian Adventure Package. The speaker is docked in the center console.



[[Placeholder for graphic: Camp Speaker docked in R1S/R1T]]

You can view the speaker status and battery level on the vehicle's center display.

[[Placeholder Graphic - speaker stats on center display]]

## Power Modes


Mode	State	Behavior
Off	Not connected	Buttons are dark
Standby	Connected to Wi-Fi and Bluetooth	Buttons are softly lit

Mode	State	Behavior
	Battery-saving mode	
On	In use	Lantern is on Music is playing

### Turning On the Speaker

If the speaker is off or on standby, press any button to wake it.

### Connecting with Bluetooth

You can connect to the speaker over Bluetooth. The Connect light  blinks blue when pairing and is solid blue when connected.

[[Exact pairing instructions TBD]]

If no Bluetooth device is connected, the speaker will search for devices to pair with for 30 seconds.

Once the speaker has established a Bluetooth connection, it remembers up to eight Bluetooth devices. When you turn it on again, the speaker automatically searches for a known device that's available nearby.

### NOTE

The speaker supports Bluetooth devices version 4.2 and up.

### Connecting to Remote Networks

When the speaker isn't docked inside the vehicle, press the **Connect** button for two seconds on the speaker to enter pairing mode, or use the phone app to manually connect with a remote network. The speaker will stay connected to that network until docked inside the vehicle or connected to a different network. The speaker will provide internet connectivity over its cell radio when it is out of range.

The speaker remembers up to eight Wi-Fi networks.

---

## Charging with a USB-C Cable

When the speaker is not docked, you can charge the speaker by connecting to a power source using the USB-C cable.

## Undocking the Speaker

Pull the speaker straight out by the handle to remove it from its dock. The vehicle's speakers will stop playing, and you can continue listening by taking the speaker with you.

[[Does the vehicle have to be on for the speaker to work? Does this deplete the vehicle battery?]]



### CAUTION

Don't store items in the Rivian Camp Speaker's dock. This may damage the charging contacts within the dock.

## Docking the Speaker

The speaker powers down when it is docked. If audio is playing, it will fade out from the *Rivian* camp speaker and resume playing through the vehicle's speaker.




The speaker locks in place when the vehicle is in motion and unlocks once the vehicle is in Park.





## Buttons

The control buttons at the top of the speaker are visible once the speaker is powered on.



## Actions

Icon	Color	Name	Result
	<ul style="list-style-type: none"> <li>White (Off)</li> <li>Blue (Bluetooth On)</li> <li>Amber (Wi-Fi On)</li> </ul>	Connect (Bluetooth or Wi-Fi)	<ul style="list-style-type: none"> <li>Once the speaker is on, press to see what mode the speaker is in: Bluetooth (blue) or Wi-Fi (amber). Press again to switch between the modes.</li> <li>Once the speaker is on, hold down for two seconds to start or stop Bluetooth or Wi-Fi pairing. The icon will blink slowly while in pairing mode and stop blinking when pairing is complete.</li> </ul>
	White	Lantern	<ul style="list-style-type: none"> <li>If the speaker is in Standby mode, press to cycle the lantern through Low, Medium High, and Off states.</li> <li>Once the lantern is lit, hold down for two seconds to turn off the lantern.</li> </ul>
	White	Action	<ul style="list-style-type: none"> <li>Reset the speaker by holding down for seven seconds to turn it completely off. Then hold down for seven seconds to power it back on.</li> <li></li> </ul>

Icon	Color	Name	Result
	White	Volume -	<ul style="list-style-type: none"> <li>• Press to decrease audio volume in single steps.</li> <li>• Hold down to accelerate decreasing the audio volume.</li> </ul>
	White	Play/Pause	<ul style="list-style-type: none"> <li>• Press to toggle between playing and pausing audio.</li> <li>• Press two times to skip to the next track.</li> <li>• Press three times to go back to the previous track.</li> <li>• Hold down for seven seconds to put the speaker in Standby mode.</li> </ul>
	White	Volume +	<ul style="list-style-type: none"> <li>• Press to increase audio volume in single steps.</li> <li>• Hold down to accelerate increasing the audio volume.</li> </ul>
	White (Off) Red (Muted)	Mic Mute	<ul style="list-style-type: none"> <li>• Press to toggle between muting and un-muting the microphone.</li> </ul>
		Play Next*	<ul style="list-style-type: none"> <li>• Press to skip to the next song, or to the next radio station.</li> <li>• Hold down button to fast-forward through the current song, or skip to the next radio station.</li> </ul>
		Play	<ul style="list-style-type: none"> <li>• Press to go back to the</li> </ul>



Icon	Color	Name	Result
		Previous*	<p>start of the current song, or to the previous radio station.</p> <ul style="list-style-type: none"> <li>• Press continuously to skip to prior songs, or to prior radio stations.</li> <li>• Hold down button to rewind through the current song, or skip to the previous radio station.</li> </ul>

\*Handled on the device playing content, not on the speaker.

### Low Bass Mode

Low Bass Mode turns off lower-frequency bass for a quieter listening environment, such as for areas with designated quiet hours.

Press the **Volume +** and **Volume -** buttons simultaneously for seven seconds to toggle Low Base Mode on and off.

### Lantern

The lantern is controlled by a button at the top of the bezel. Cycle through the lantern brightness with a series of short presses: 30%, 60%, 100%, 0% (off).

At any time, hold down the **Lantern** button to max out the brightness to 100%.

### Battery

#### Checking Charge Level

1. In the vehicle, go to "Speaker."
2. On the speaker, press the **Lantern** button two times.
  - Green: 75-100%
  - Amber: 25%-75%
  - Red: below 25%

---

## Charging the Speaker

When the speaker is docked, it automatically charges. When undocked, the speaker can be charged when plugged into a USB-C source. The LED light above the USB-C connector at the rear of the speaker pulses to indicate that it is currently charging. The LED light shows as solid white when the speaker is fully charged.

A warning audio tone plays when the battery power has fallen to 5% remaining. If the battery isn't charged, the speaker will power down on its own.

### NOTE

Normal battery operation will not work if the battery temperature falls outside allowed temperatures 32°F–104°F (0°C–40°C).

## Resetting the Speaker




### Hardware Reset

Perform a hardware reset when the speaker is hanging and doesn't respond to button presses. The amber Connect LED light blinks rapidly, and the lantern light will blink three times before the speaker resets.

Hold down the **Action**  and **Play/Pause**  buttons simultaneously for seven seconds to perform a hardware reset.

### Factory Reset

Perform a factory reset to completely reset the speaker to its initial state.

Hold down the **Action** , **Volume Down** , and **Play/Pause**  buttons simultaneously for seven seconds to perform a factory reset.



## CAUTION

If you perform a factory hardware reset, the speaker no longer remembers the devices it was previously paired to. This wipes all saved device IDs and preferences.

## Updates

The speaker can receive updates when it is docked, or if it is connected to a Wi-Fi signal.

The speaker can be in either Standby or On modes to receive updates. If the speaker is undocked and doesn't have enough battery, you can connect to a USB-C source so that the speaker can charge while continuing the update.

### Cleaning the Speaker

To maintain the look and functionality of the speaker, occasionally inspect it for wear and tear through regular use. Wipe the speaker with a soft dry cloth for surface stains.












### WARNING

Don't submerge the speaker in liquid. Don't use chemical cleaning agents to clean the speaker.

### Troubleshooting

If the speaker isn't working as intended, refer to the following troubleshooting guide before contacting [Customer Service](#). You may also find additional troubleshooting guidance on the vehicle's center display if there is a problem with the speaker.

If This Happens	Try This
Speaker doesn't turn on	<ul style="list-style-type: none"> <li>Remove the speaker from its dock. This triggers the speaker to turn on.</li> <li>Make sure the battery has enough charge.</li> <li>Charge the battery with a USB-C adapter for three hours.                             <ul style="list-style-type: none"> <li>The USB-C light pulses white to indicate charging in progress.</li> <li>The USB-C light turns solid white to indicate a fully-charged battery.</li> </ul> </li> <li>Hold down the <b>Action</b>  and <b>Play/Pause</b>  buttons simultaneously for seven seconds to perform a hardware reset.</li> </ul>
No sound	<ul style="list-style-type: none"> <li>Press <b>Volume Up</b> </li> <li>Make sure <a href="#">Bluetooth</a> connection has been paired successfully.</li> </ul>

If This Happens	Try This
	<ul style="list-style-type: none"> <li>• Make sure audio is running on the streaming source (phone or tablet).</li> <li>• Make sure you have active Wi-Fi.</li> <li>• Hold down the <b>Action</b> , <b>Volume Down</b> , and <b>Play/Pause</b>  buttons simultaneously for seven seconds to perform a factory reset.</li> </ul>
Weak signal	<ul style="list-style-type: none"> <li>• Check if the device is within range for Bluetooth (&lt;98 ft or &lt;30 m) or Wi-Fi (&lt;164 ft or &lt;50 m).</li> <li>• Move the speaker closer to the device or network that it is connected to.</li> <li>• If device is unable to pair within range, choose the option to "forget the device" and perform re-pairing steps.</li> <li>• Hold down the <b>Action</b> , <b>Volume Down</b> , and <b>Play/Pause</b>  buttons simultaneously for seven seconds to perform a factory reset.</li> </ul>
Lantern doesn't work	Contact Rivian <a href="#">Customer Service</a> for lantern repair.

This device complies with Part 15 of the FCC Rules and with Industry Canada license-exempt RSS standard(s) using limits for a Class B digital device. These limits are designed to provide reasonable protection against harmful interference in a residential installation. Operation is subject to the following two conditions:

1. This device may not cause harmful interference, and
2. This device must accept any interference received, including interference that may cause undesired operation.



## CAUTION

Changes and modifications made to this equipment not expressly approved by the manufacturer may void the FCC authorization to operate this equipment.

This equipment generates, uses, and can radiate radio frequency energy and, if not installed and used in accordance with the instructions, may cause harmful interference to radio communications. If this equipment does cause harmful interference to radio or television reception, which can be determined by turning the equipment off and on, the user is encouraged to try to correct the interference by one or more of the following measures:

- Plug the speaker into a different outlet.
- Move the speaker further away from affected devices.

Le présent appareil est conforme aux CNR d'Industrie Canada applicables aux appareils radio exempts de licence. L'exploitation est autorisée aux deux conditions suivantes:

1. l'appareil ne doit pas produire de brouillage, et
2. l'appareil doit accepter tout brouillage radioélectrique subi, même si le brouillage est susceptible d'en compromettre le fonctionnement.



[[Need logos designed by Tech Illustrator. AI file available. PDF as reference.]]



[[Need logos designed by Tech Illustrator. AI file available. PDF as reference.]]



[[Need logos designed by Tech Illustrator. CE is 5mm min height. See Word references]]



[[Need logos designed by Tech Illustrator. AI file available. PDF as reference.]]



[[No need for the Electric Shock marking since the speaker is low voltage.]]

[[ID numbers may be listed directly in [Certification Conformity](#)]]



[[Need logos designed by Tech Illustrator. AI file available. PDF as reference.]]



[[Need logos designed by Tech Illustrator. AI file available. PDF as reference.]]



[[Need logos designed by Tech Illustrator. WEEE is 7mm min height. See Word references]]



[[We don't need the one for just Canada since we have one that covers both.]]

---

[[Need logos designed by  
Tech Illustrator. AI file  
available. PDF as reference.  
See guidelines in "Rivian  
Certification Marking" Excel.]]

## Warranty

This product is covered by a limited warranty from XXXXXX

## Customer Service

Still need help? Connect with us 8 AM–8 PM (CT) Mon–Fri.

Call [888 RIVIAN1](tel:888RIVIAN1) / [888 748-4261](tel:8887484261).

Write [customerservice@rivian.com](mailto:customerservice@rivian.com).

Chat or find answers at [rivian.com](https://rivian.com).

## Air Compressor

The air compressor (if equipped) features a quick-connect nozzle with a hose that extends to all four wheels. The air compressor nozzles and accessories are stored in the Gear Tunnel door. These accessories allow you to inflate bicycle tires, inflatable rafts, or other adventure equipment up to 150 psi.

[[Add image of air compressor accessory kit in Gear Tunnel door]]

## Operating the Air Compressor

You can operate the air compressor when the vehicle is in Park and is unlocked. The key fob or card must also be in close range of the vehicle.

Press any button to wake up system. The air compressor is ready when the display shows a PSI reading.



- |   |                               |
|---|-------------------------------|
| – | Decrease the set pressure     |
| + | Increase the set pressure     |
| ▷ | Start or pause the compressor |

## Inflating Tires and Adventure Equipment

[[add pressure warnings - keep away from children. High pressure. Risk of injury from pressure explosion. Do not exceed maximum pressure]]

1. Check the maximum pressure of the tire or adventure equipment you are inflating before connecting the air compressor.
2. Push the inflation nozzle firmly into one end of the quick pressure hose.
3. Connect additional adapters if needed.
4. Push the opposite end of the pressure hose on the compressor's quick disconnect fitting. The hose will snap on to the valve.
5. Connect the inflation nozzle to the tire or equipment you are inflating. The display shows the detected pressure.
6. Press the Plus + button to set the target pressure. "Set" appears on the display.





7. Press the Start ▶|| button to start the compressor.
8. Squeeze the inflation nozzle lever to start inflating. The compressor stops when it reaches the target pressure.
  - The pressure setting times out in 60 seconds if you do not press the Start button. If the system times out, set the target pressure again, and then press Start.
  - If the target pressure is less than the actual pressure you will hear an error tone.
  - Press the Pause ▶|| button to pause the compressor. You can increase or decrease the target pressure when the compressor is paused.
  - The compressor powers off if there is no interaction for 5 minutes.

The compressor cannot operate continuously for more than 15 minutes. [[Allow the system to cool down for at least \_\_\_\_\_ minutes ?]][[note that spec is 18 min]]. [[List overheat error states and generic error states with troubleshooting tips]]

### Using the Spray Nozzle for Clean-Up

You can use compressed air to clean debris from the truck bed or the interior.

[[add pressure warnings - keep away from children. Do not spray compressed air on people. Physical dangers to ears and eyes and so on]]

1. Push the inflation nozzle firmly into one end of the quick pressure hose.
2. Push the opposite end of the pressure hose on the compressor's quick disconnect fitting. The hose will snap on to the valve.

**NOTE** Do not set a target pressure.

3. Press the Start ▶|| button to start the compressor.
4. Squeeze the inflation nozzle lever to spray compressed air.

The compressor cannot operate continuously for more than 15 minutes. [[Allow the system to cool down for at least \_\_\_\_\_ minutes ?]][[note that spec is 18 min]]. [[List overheat error states and generic error states with troubleshooting tips]]

---

## Field Kit

The Field Kit is designed to fit in the in the door pocket.



## Contents

- Below are some sample contents that your Field Kit can contain.
- Hand sanitizer
- Insect sting relief
- Fire starter
- Paracord
- Fold-up shovel
- Water purification tablets
- Whistle
- Lifestraw
- Zinc oxide tape
- Emergency blanket
- Antibiotic, burn, and hydrocortisone ointments

- 
- First aid guide
  - Gauzes and bandages

How to re-order contents

Can they order contents based on most needed (curated) items?

Best practices on checking content to maintain integrity

Special Edition 1/2 get the "Field Kit" as standard.

### Power Outlets



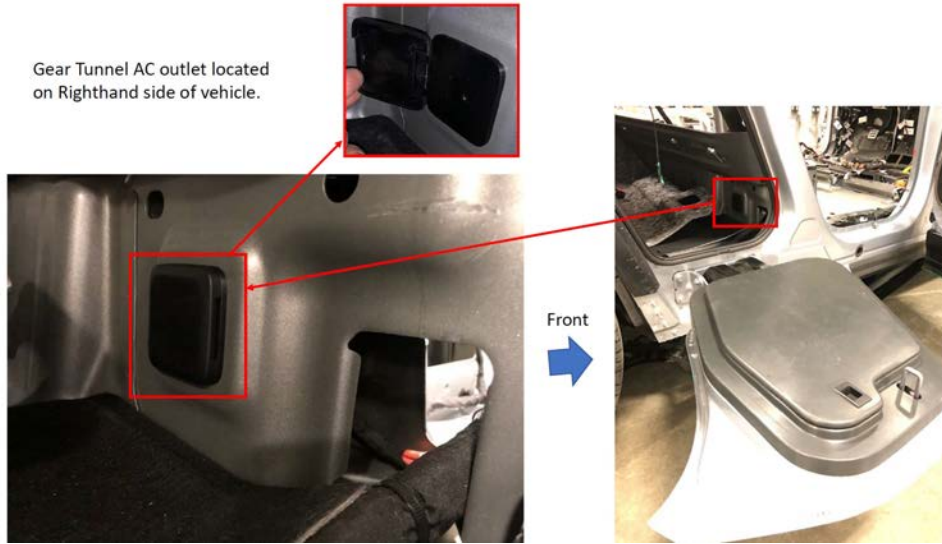
#### **DANGER**

To avoid a risk of fire or thermal event, be careful when using any power outlets, particularly when the vehicle is in Drive, the outlets are powered on, or any devices plugged into the outlets are left unattended.

- Don't let objects obstruct any outlets being used.
- Turn off and unplug the 110 V outlet in the Gear Tunnel before closing the Gear Tunnel doors.
- Note that objects stored in the Gear Tunnel may shift around during driving.

[placeholder for graphic of gear tunnel outlet danger zone]

Gear Tunnel AC outlet located on Righthand side of vehicle.



## CAUTION

Don't use an outlet with any device that requires over 1500 W of power.

### Center console

- 110 V

### AC Outlets

- 1 plug for 110 V AC outlet
- 1 plug for 220 V AC outlet

### USB-C

- 1 Front Data
- 1 Front Charge-only
- 2 Rear Charge-only

### Wireless

- Wireless phone charge pad

---

## Underside of Instrument Panel

- 12 V Accessory Port

## Front Trunk

- 12 V

## Center Display

- 12 V

## Gear Tunnel

- 110 V

## Truck Bed

- Two 110 V

## Second-Row Seats

### USB-C

- 2 Charge-only

## Vehicle Modes

Confluence Resource:

<https://rivianautomotive.llc.atlassian.net/wiki/spaces/VF/pages/988522807/Vehicle+Power+Modes>

[[Since Tank Turn was such a marketed feature, consider mentioning that it is not a supported feature for this release (US SOP).]]

## Hangout Mode

[[Content TBD]]

---

## Off-Road Equipment

### Features and Capabilities

Electric Adventure Vehicles are designed and engineered to go where most vehicles can't go, sustainably – that means steeper grades, through water and over challenging terrain.

#### R1T Statistics:

- Acceleration: 0–60 mph in 3 seconds  
Max approach angle: 34.0°
- Max departure angle: 29.3°
- Max breakover angle: 25.7°
- Max ground clearance: 14.4 in
- Wading depth: 3+ ft
- Water fording: 42.7 inches

#### R1S Statistics:

- Acceleration: 0–60 mph in 3 seconds  
Approach angle: 34.3°
- Departure angle: 33.7°
- Max breakover angle: 28.9°
- Max ground clearance: 14.4 in
- Wading depth: 3+ ft
- Water fording: 42.7 inches

#### Off-road driving maneuvers and techniques

##### Adjusting ground clearance

##### Rock crawl

(See also: Tire Air Compression)

### Off-Road Package

- Reinforced underbody shield
- Dual front bumper tow hooks

- 
- Air compressor
  - Off Road Bumper System
    - Metallic Off Road Bumper replacing the Standard Bumper

## Hydraulic Roll Control

Our electro-hydraulic roll control system replaces a mechanical anti-roll bar for more flexibility in how your vehicle responds, simultaneously delivering far greater breadth in vehicle body control, stability, ride comfort and off-road handling on uneven terrain. On-road, the system minimizes body roll to plant your vehicle in tight corners for sports-car handling. Off-road, it absorbs disturbances to reduce 'head toss' while maximizing wheel articulation and delivering added traction and comfort on tough surfaces.

## Rock Rails

Includes LH and RH sides

## Underbody Protection

Enhanced

- High-strength steel, alloyed aluminum and carbon fiber composite underbody protection
- Engineered to absorb, deflect and distribute force from impacts, the shield is designed for maximum protection in the most extreme off-road conditions.

Standard

- GMT30 underbody panels

Extreme

## Towing and Loading

### Capabilities and Limitations

Vehicle Load capacity

Towing effects on range



## CAUTION

Don't tow a Rivian vehicle behind another vehicle. This could lead to damage to the motors.

The R1T can tow up to 11,000 pounds.

Range is affected by towing. Hauling 11,000 lbs will reduce range by about 50%.

### Tow Hitch & Hooks

Exposed tow hooks

- Dual front bumper tow hooks
- Exposed forged tow hooks - polished on Adventure and in Offroad 1 package.
- Yellow on Special Editions

Recovery Eyelets

- Not available on vehicles with OFF ROAD Package

Tow Hitch

- Integrated 2" Class V receiver. Hidden behind removable cover on rear of the vehicle. Excludes Draw Bar & Ball
- Trailer Sway Control (Stability control setting)

### Towing Modes

Modes

- Recovery mode (flat tire towing, lost propulsion towing)
- Transport mode (overseas shipping, battery drainage concerns)
- Carwash mode



---

## Towing

- Approved transporting methods
- Connecting brake light and turn signals
- Driving guidance

## Hitch types

- Standard hitch for up to 5,000 pounds
- Weight-distributing hitch for loads heavier than 5K lbs and up to the upper limit (11K)

## Troubleshooting and Help

### Troubleshooting

#### Keys Not Working

[[Content TBD]]

#### Loss of Power

#### Overheating

[[Content TBD]]

#### System Failures

Battery failure

High voltage failure

Electrical/fuse failure

#### Reporting Safety Defects

If you believe that your vehicle has a defect which could cause a crash or could cause injury or death, you should immediately notify Rivian. In addition, you should also inform the National Highway Traffic Safety Administration (NHTSA) if in the United States, or Transport Canada if in Canada.

If NHTSA or Transport Canada receive similar complaints, they may open an investigation, and if they find that a safety defect exists in a group of vehicles, they may order a recall and remedy campaign. However, NHTSA and Transport Canada cannot become involved in individual problems between you or Rivian.

#### Contacting NHTSA

##### Call

Vehicle Safety Hotline (toll-free): 1-888-327-4236

TTY: 1-800-424-9153

##### Write

Administrator  
NHTSA  
400 Seventh Street, SW  
Washington, DC 20590

### Website

<http://www.safercar.gov>

You can also obtain other information about motor vehicle safety from this website.

### Contacting Transport Canada

#### Call

Toll-free (in Canada): 1-800-333-0510

Gatineau-Ottawa area or internationally: 819-994-3328

#### Website

<https://tc.canada.ca/en/road-transportation/defects-recalls-vehicles-tires-child-car-seats/report-potential-safety-defect-vehicles-tires-child-car-seats>

### Roadside Assistance

Rivian has a dedicated 24/7 [Roadside Assistance](#) team that you can reach anytime you need support while on the go.

### SOS

The **SOS** button is located on the overhead console. Press the **SOS** button to call for assistance from first responders when there's an emergency, such as after an accident. First responders include police, firefighters, and medical personnel. You'll reach a 24/7 national call center that will assess the situation, route your call appropriately, and dispatch help if necessary. If the vehicle detects that a significant collision has occurred, it will automatically initiate an SOS call.

The audio system will suppress background noise so you can focus on the call. Your current location is displayed on the center display while the call is in progress in case the call

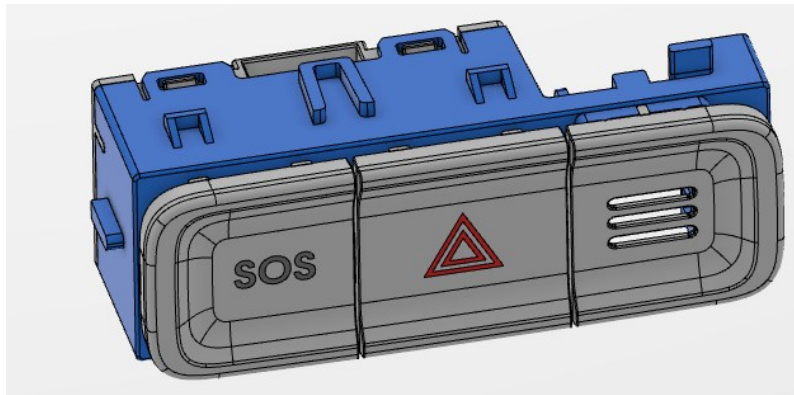
center operator can't locate your vehicle and you need to communicate the information. For more information on what data may be collected from you and your vehicle during an SOS call, see [Privacy and User Data](#).

As long as you're in a cellular coverage area, the SOS feature will work, even if you don't have your phone with you.


If you don't need help from first responders, you can contact [Rivian Roadside Assistance](#), such as when your vehicle breaks down or you need to be towed.

### NOTES

- If the emergency call center can't be reached, press the **SOS** button to try the call again.
- If you are in the middle of a phone call, it will be disconnected when an SOS call becomes active.
- If SOS is accidentally triggered, you can cancel the call on the center display within seven seconds of initiating the call.
- The **SOS** button doesn't work if you drive outside the United States or Canada.



### Hazard Lights

If possible, press the **Hazard Lights**  button on the overhead console to turn on the hazard lights and alert surrounding vehicles about the accident.

### Instructions for Vehicle Transporters

(see also, "Towing" section)



## CAUTION

Rivian vehicles should be towed on the flat bed of a tow truck. Don't tow the vehicle with two wheels on the ground since this can lead to vehicle damage.

### Preparing the Vehicle for Towing

1. Place the front wheels in the straight-ahead position.
2. Use a nylon bridle or short endless loops through the lower control arms.



## CAUTION

Do NOT use a hook to attach to the control arms. The vehicle has flexible hydraulic lines near the suspension that can be damaged if a hook is used.

The Electronic Park Brake can be disengaged electronically or mechanically. Before disengaging, ensure the wheels are chocked and the vehicle is connected to the tow truck winch with an endless loop or bridle.

Release the Electronic Park Brake from the center display inside the vehicle.

1. Select the gear on the bottom of the center display.
2. Select Service and Ship.
3. Select the Park Brake Override.
4. Confirm the release of the electronic parking brake.

If the Electronic Park Brake does not release electronically, release manually from each rear wheel.

1. Disconnect the Electronic Park Brake electrical connector.
2. Remove the two 5 mm Allen bolts.
3. Remove Electronic Park Brake from the caliper.
4. Turn the 5 mm Allen fastener to disengage the parking brake.

## Loading the Vehicle onto the Tow Truck

1. Use the tow truck winch to load the vehicle onto the tow truck deck.
  - Roll at 4 mph or less to prevent damage to the drive train.
2. Tie down the vehicle using eight-point retention straps, with two points of contact per corner.



### CAUTION

Straps should not be installed too low on the tire. The straps could contact brake lines on the back side of the tire.

3. Place the vehicle into Tow/Ship mode from the center display.
  1. Select the gear on the bottom of the center display.
  2. Select Service and Modes.
  3. Put the vehicle into Park and select the lowest ride height.
  4. Select Tow/Ship mode.

## Customer Service

Still need help? Connect with us.

### Customer Engagement Center

8 AM–8 PM (Central) Mon–Fri

[\(888\) RIVIAN1](tel:(888)RIVIAN1)  /  [\(888\) 748-4261](tel:(888)748-4261)   
[customerservice@rivian.com](mailto:customerservice@rivian.com)  
[rivian.com](https://rivian.com) Support Center and Chat

### Insurance

[\(888\) RIVIAN8](tel:(888)RIVIAN8)  /  [\(888\) 748-4268](tel:(888)748-4268)

### Roadside Assistance 24/7

[\(844\) RIVIAN4](tel:(844)RIVIAN4)  /  [\(844\) 748-4264](tel:(844)748-4264)

### Service 24/7

[\(855\) RIVIAN5](tel:(855)RIVIAN5)  /  [\(855\) 748-4265](tel:(855)748-4265)

## Service and Maintenance

### Service

#### EV Safety During Servicing

[[Content TBD]]

### Tires

#### Tires and Wheels

##### Uniform Tire Quality Grading

The tire quality grades are on the tire sidewall between the tread shoulder and the widest part of the tire. For example: Treadwear 200 Traction AA Temperature A. The US Department of Transportation requires the following information:

##### Treadwear

The treadwear grade is a comparative rating based on the wear rate of the tire when tested under controlled conditions on a specified government test course. For example, a tire graded 150 would under one and a half (1 1/2) times as well on the government course as a tire graded 100. The relative performance of tires depends upon the actual conditions of their use, however, and may depart significantly from the norm due to variations in driving habits, service practices and differences in road characteristics and climate.

##### Traction – AA, A, B and C

The traction grades from highest to lowest are AA, A, B, and C and they represent the tire's ability to stop on wet pavement as measured under controlled conditions on specified government test surfaces of asphalt and concrete. A tire marked C may have poor traction performance.



### WARNING

The traction grade assigned to this tire is based on braking (straight ahead) traction tests and does not include cornering (turning) traction.

### Temperature - A, B, and C

The temperature grades are A (the highest), B and C, representing the tire’s resistance to the generation of heat and its ability to dissipate heat when tested under controlled conditions on a specified indoor laboratory test wheel. Sustained high temperature can cause the material of the tire to degenerate and reduce tire life, and excessive temperature can lead to sudden tire failure. The grade C corresponds to a level of performance which all passenger car tires must meet under the Federal Motor Vehicle Safety Standard No. 109. Grades A and B represent higher levels of performance on the laboratory test wheel than the minimum required by law.



#### **WARNING**

The temperature grade for this tire is established for a tire that is properly inflated and not overloaded. Excessive speed, under inflation, or excessive loading, either separately or in combination, can cause heat buildup and possible tire failure.

### Tire Markings

The following image describes tire markings for a typical tire. The positions of the tire markings may vary by tire manufacturer.

[[Image of tire with callouts - requested]]

Number	Description
1	Nominal width in millimeters, measured from the outer edges of the sidewall.
2	Nominal aspect ratio (%). This describes the height of the tire expressed as a percentage of the tire width.
3	Internal construction. The R indicates a radial ply tire.
4	Rim diameter in inches
5	Treadwear grade
6	Traction grade
7	Temperature grade



Number	Description
8	Maximum load rating
9	Maximum permissible inflation pressure
10	Load index
11	Speed symbol
12	U.S. DOT tire identification number
13	Tire ply composition and materials used

**Glossary of Tire Terminology**

Term	Definition
Accessory weight	The combined weight of factory-installed equipment (in excess of standard items which may be replaced).
Bead	The part of the tire next to the rim, constructed of steel wires that are wrapped or reinforced by ply cords.
Bead separation	A breakdown of the bond between bead components.
Bias ply tire	A pneumatic tire constructed of ply cords laid at alternate angles that are substantially less than 90 degrees to the tread centerline.
Carcass	The tire structure, except the tread and sidewall rubber, which bears the load when inflated.
Chunking	The breaking away of pieces of the tread or the sidewall.
Cold tire pressure	The tire pressure when the vehicle has been parked for three hours or more, or driven for less than 1 mile (1.6 km).

Term	Definition
Cord	The strands that form the plies in the tire.
Cord separation	The parting of cords between adjacent rubber compounds.
Curb weight	The weight of the vehicle with standard equipment and properly filled fluids.
Groove	The space between two adjacent tire tread ribs.
Inner liner	The layers that form the inside surface of a tubeless tire containing the inflating medium.
Inner liner separation	The parting of the inner liner from the cord material in the tire carcass.
Light truck (LT) tire	A tire that a manufacturer designates for use in lightweight trucks or multipurpose passenger vehicles.
Load rating	The maximum load for a tire at the maximum permissible inflation pressure.
Maximum inflation pressure	The maximum permissible cold tire inflation pressure.
Maximum load rating	The load rating for a tire at the maximum permissible cold tire inflation pressure.
Passenger car tire	A tire intended for use on passenger cars and trucks that have a gross vehicle weight rating (GVWR) less than 10,000 lbs (4536 kg).
Ply	A layer of rubber-coated parallel cords.
Ply separation	A parting of the rubber compound between adjacent tire plies.
Pneumatic tire	A mechanical device constructed of rubber, chemicals, fabric, steel, and other materials. When mounted on an automotive

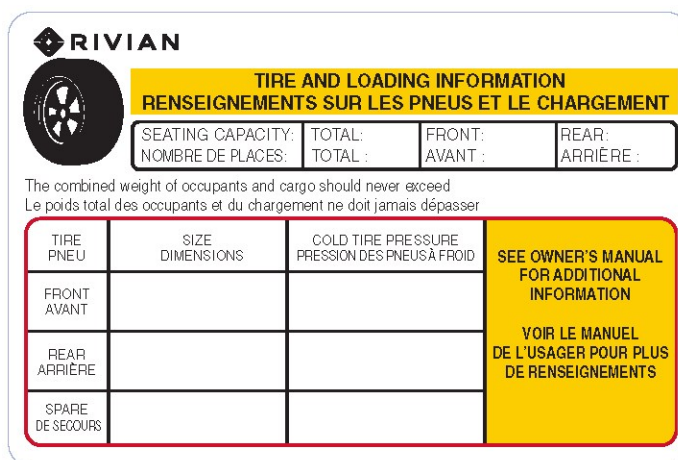
Term	Definition
	wheel, the device provides traction and contains the gas or fluid that sustains the load of the vehicle.
Radial ply tire	A pneumatic tire that contains ply cords that extend to the beads and are laid at substantially 90 degrees to the tread centerline.
Recommended inflation pressure	The cold tire inflation pressure recommended by Rivian Automotive, LLC. This information is printed on the tire placard on the inside of the door pillar.
Rim	The metal support for a tire assembly where the tire beads are seated.
Section width	The linear distance between the exteriors of the sidewall of an inflated tire. The distance excludes elevations from labeling, decoration, or protective bands.
Sidewall	The section of the tire between the tread and the bead.
Tire placard	The label that is permanently attached to the inside of the door pillar that describes the original equipment tire sizes, recommended inflation pressures, and loading capacity.
Tread	The section of the tire that contacts the road surface.
Treadwear indicators (TWI)	The projections within the tire grooves that are designed to provide a visual indication of the tire tread wear.
Vehicle maximum load on the tire	The load on an individual tire that is determined by distributing the maximum loaded vehicle weight on each axle and dividing by two.

## Tire Care

Check the inflation pressure of the tires, including the spare tire (if equipped), monthly with an accurate tire pressure gauge. The recommended cold inflation pressures are listed on the Tire and Loading Information label on the driver's door pillar.

## Load Capacity

The Tire and Loading Information label on the driver's door pillar. The label describes the proper loading for the vehicle, with or without a trailer.




## Determining the Correct Load Limit

1. Locate the statement "The combined weight of occupants and cargo should never exceed XXXX kg or XXXX lbs" on the Tire and Loading Information label.
2. Determine the combined weight of the driver and passengers in the vehicle.
3. Subtract the combined weight of the driver and passengers from XXXX kg or XXXX lbs.
4. The resulting weight is the available amount of cargo and luggage capacity. For example, if the "XXXX" weight is 1,400 lbs (635 kg) and there are five 150 lb (68 kg) passengers, the available cargo capacity is 650 lbs,  $[1400 - (5 \times 150) = 650 \text{ lbs}]$ . In metric units, the available cargo capacity is 295 kg,  $[635 - (5 \times 68) = 295 \text{ kg}]$ .

**NOTE**

Trailer loads are transferred to the vehicle and must be included when calculating cargo capacity.



**WARNING**

Do not overload the tires. Overloading can cause tire failure, affect vehicle handling, and can increase stopping distance.

**Tire Inflator Kit**

Vehicles without an included spare tire or off-road package are equipped with an inflator and sealant kit.

**Full-Sized Spare Tire**

Maryland and Rhode Island require a full-size spare tire, plus a few countries outside the US. Jama links:

R1T -

<https://rivianautomotive.jamacloud.com/perspective.req#/items/3133366?projectId=48>

R1S -

<https://rivianautomotive.jamacloud.com/perspective.req#/items/3133372?projectId=48>

**Tire and Wheel Sizes**

Wheel Size	Trim	Finish	Offset
20 inches	Adventure 1	Bright	48 mm
20 inches	Adventure 1	Dark	48 mm
20 inches	Adventure 2	Bright	48 mm
20 inches	Adventure 2	Dark	48 mm
20 inches	Adventure 2	Bright	58 mm

Wheel Size	Trim	Finish	Offset
20 inches	Adventure 2	Dark	58 mm
20 inches	Special Edition	--	48 mm
21 inches	Aero	--	58 mm
22 inches	Performance	Bright	48 mm
22 inches	Performance	Dark	48 mm
22 inches	Performance	Bright	58 mm
22 inches	Performance	Dark	58 mm

Tire Type	Performance	Specs
All Terrain	Enhanced off-road capability	275/65R20
All Season Low Rolling Resistance (aka "Road")	Best range and improved handling in different weather conditions	275/55R21
All Season Performance (aka "Sport")	Best on-road handling	275/50R22

Certain vehicles come with either a full-sized spare tire or a temporary spare tire, a jack, and other service tools.

Wheel Size	Tire Size
20"	275/65 R20
20"	275/55 R20
20" temporary spare (if equipped)	T 195/70 R20
21"	275/55 R21

## Winter Tire Chains

### Tire Pressure Monitoring System

The vehicle is equipped with a Tire Pressure Monitoring System (TPMS) with individual tire pressure display. If one of the tires is significantly under-inflated, a low-tire pressure indicator appears on the driver display.



Each tire, including the spare (if provided), should be checked monthly when cold and inflated to the inflation pressure recommended by the vehicle manufacturer on the vehicle placard or tire inflation pressure label.

As an added safety feature, your vehicle has been equipped with a tire pressure monitoring system (TPMS) that illuminates a low tire pressure telltale when one or more of your tires is significantly under-inflated. Accordingly, when the low tire pressure telltale illuminates, you should stop and check your tires as soon as possible, and inflate them to the proper pressure. Driving on a significantly under-inflated tire causes the tire to overheat and can lead to tire failure. Under-inflation also reduces fuel efficiency and tire tread life, and may affect the vehicle's handling and stopping ability.

Please note that the TPMS is not a substitute for proper tire maintenance, and it is the driver's responsibility to maintain correct tire pressure, even if under-inflation has not reached the level to trigger illumination of the TPMS low tire pressure telltale.

### TPMS Malfunction Indicator

The TPMS malfunction indicator is combined with the low tire pressure telltale. When the system detects a malfunction, the telltale will flash for approximately one minute and then remain continuously illuminated. This sequence will continue upon subsequent vehicle start-ups as long as the malfunction exists.

When the malfunction indicator is illuminated, the system may not be able to detect or signal low tire pressure as intended. TPMS malfunctions may occur for a variety of reasons, including the installation of replacement or alternate tires or wheels on the vehicle that

prevent the TPMS from functioning properly. Always check the TPMS malfunction telltale after replacing one or more tires or wheels on your vehicle to ensure that the replacement or alternate tires and wheels allow the TPMS to continue to function properly.

### **TPMS Sensor Automatic Learning Process**

The vehicle is equipped with TPMS sensors in the valve stem of each wheel. When you start driving, the sensors automatically connect to the TPMS module and begin the automatic learning process, which takes less than 10 minutes. After the learning process is complete, the TPMS sensor transmits the pressure values for each of the front and rear tires to the in-vehicle displays.

### **Spare Tire TPMS Sensor**

The full-size spare tire (if equipped) has a TPMS sensor that remains passive until the spare is installed as a driving wheel. After installing the full-size spare tire, you may have to drive for up to 10 minutes to allow the TPMS sensor to complete the automatic learning process.

The compact spare tire (if equipped) doesn't have a TPMS sensor and will not display tire pressure.

Replace the valve stem cap to prevent dirt from entering the valve and damaging the TPMS sensor.

- Tire sealant may damage the tire pressure monitoring sensor. The Rivian supplied tire sealant should only be used for roadside emergencies. After using the tire sealant for flat tire recovery, it is recommended that you contact Rivian service as soon as possible to replace the tire pressure monitoring sensor.

The tire pressure monitoring system is not designed for aftermarket wheels. If you replace the tires, use the same size and style as the tires provided by Rivian.

- Do not use the tire pressure monitoring system as a pressure gauge for filling the tires.
- An under-inflated tire may fail, causing a sudden loss of vehicle control, which may result in personal injury or death.
- If the tire is warm, you may have to increase the tire pressure up to an additional 4 psi (28 kPa) above the recommended cold placard pressure to turn the TPMS low tire pressure warning off. [[Reviewers - Please confirm]]
- You may have to drive above 15 mph (24 km/h) for up to 10 minutes before the vehicle displays a pressure. [[Reviewers - Please confirm]]



## Jacking and Lifting the Vehicle

[[Content TBD--Should title change to Changing a Tire?]]



### **WARNING**

Turn off the vehicle before changing a tire.

[[RP-19101 - check if a "jack mode" button is implemented in UI (TB)]]

Find a safe, level location to service the vehicle.

Turn on your hazard lights.

**CAUTION** Never try and change a flat tire on a narrow shoulder, near oncoming traffic or on soft terrain.

R1T/S NOT equipped with a spare tire will have an inflator kit located in the spare tire compartment.

Install the inflator kit hose to the valve stem of the tire. Plug in the inflator kit and power on the inflator. The inflator kit will inject sealant into the tire. Air up the tire to 48 psi.

Removing the flat tire.

Secure the vehicle using wheel chocks.

Place the vehicle into "Tire Change" through the center display.

Access "Tire Change" through the gear icon on the bottom of the display.

Select "Service and Ship"

Selecting "Tire Change" will disable the adjustable suspension.

Do not disengage the park brake.

Jacking points

There are four lifting points on the R1T. They are located behind the front tires and in front of the rear tires under the rocker panel.

Remove the jack location cover shown below:

Place the jack into the riser base and fit the lifting puck to the top of the jack.

Using the tools provided, raise the jack ensuring that the tip of the lifting puck lines up with the hole in the jack location.

Removing the flat tire.

Raise the vehicle slightly but keeping the tire on the ground.

Loosen the lug nuts ½ turn with a lug wrench

Raise the vehicle so the tire is off the ground.

Remove Lug nuts

Gripping the tread of the tire, remove the flat tire from the vehicle

Installing spare tire

Install new/spare tire.

Line up the wheel studs with the holes in the rim and push the replacement tire onto the hub.

Ensure the spare tire assembly is fully seated to the hub.

Reinstall lug nuts and tighten by hand

Lower the vehicle so the tire is on the ground but not carrying the full weight of the vehicle.

Torque the lug nuts to 190 nm (140 ft-lbs)

Lower the vehicle completely and remove the jack, riser base and lifting puck.

## **Routine Maintenance**

### **Maintenance Schedule and Record**

[[Content TBD]]

**Parts & Accessories**

[[Content TBD]]

**Fluid Capacities**

**Filling the Windshield Wiper Fluid**

[[When approximately (x amount) of wiper fluid remains in the reservoir, the xyz message Wiper fluid low? telltale icon/color as well? appears in the driver display]]

1. Open the front trunk.
2. Open the windshield wiper reservoir lid. [[Illustration of the lid location in the front trunk]]
3. Slowly pour the windshield wiper fluid in the reservoir until it reaches the narrow ring inside the tank. Avoid filling the reservoir all the way to the top. If the reservoir is filled to the top, the fluid may leak around the outside of the bottle. Clean up spilled fluid with a soft cloth.

[[Add note regarding using the proper fluid. Don't use plain water instead of washer fluid or it will freeze (add recommendations for cold climates - some manufacturers recommend adding a small amount of antifreeze in cold climates).]]

**Fluid Capacities**

Description	Specification	Capacity
Windshield Wiper Fluid	[[Need specs - brand, pH, dilution to avoid freezing and so on]]	5.28 qt (5 L)
Brake Fluid		
Battery Coolant		
Powertrain Coolant		
Air Conditioning Refrigerant		

**Wiper Blades**

To access the wiper blades, activate Wiper Service Mode as follows.

1. Navigate to the Mirrors and Wipers settings from the center display.
2. Enable Wiper Service Mode from the center display to move the wipers out of the wiper park position.
3. Remove and replace the wiper blades and set the new blade on the windshield.
4. [[Add procedure for removing and replacing]]
5. Disable Wiper Service Mode from the center display to return the wipers to the wiper park position.

### **Air Filters**

Including Cabin Air Filter

### **Cleaning**

#### **Interior Cleaning**

Stains, spills

#### **All-Weather Floor Mats**

Include proper fitting & inspection

Chilewich floor mats

#### **Exterior Cleaning**

##### **Washing**

To maintain the paint and coating on your vehicle, wash it before excessive dirt buildup. Check that all windows are rolled up and doors are closed. Avoid using hot water, and don't wash the vehicle in direct sunlight.

You can use a standard pressure washer with a maximum of 1100 psi and a minimum of 25-degree nozzle spray to wash the vehicle. Keep at least 15 in (40 cm) away from the vehicle. Use a side-to-side sweeping motion to avoid prolonged concentrated pressure to a single area.

[placeholder graphics]

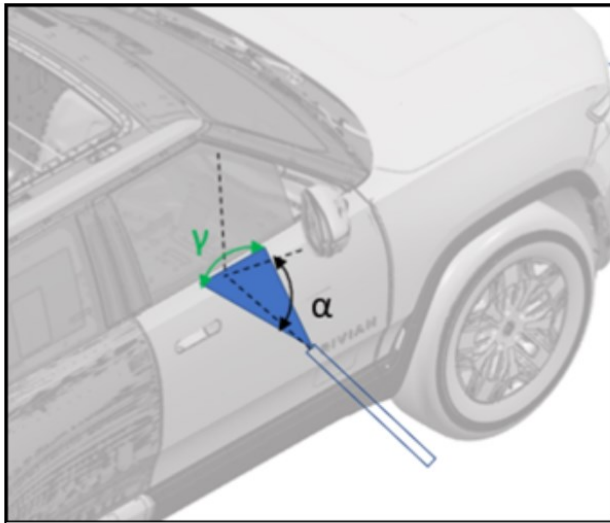


Figure 1 High Pressure Test Setup

**How to choose the right spray nozzles for your pressure washer**

Some pressure washers come with a single variable pressure spray nozzle that you can twist to adjust between zero to 60-degree spray patterns. Most come with 4 to 5 color-coded nozzles that you must change manually between jobs.

Your nozzles are the most important accessory when determining how much cleaning power you need for specific jobs. These are generally color coded from strongest to lowest pressure:

- **Red (0 degree)** – Removing tough stains or debris (caked on mud, dried gum or sap, rust) from very small areas on concrete or metal. Not for wood or siding! You probably will never need this one.
- **Yellow (15 degree)** – Surface prep to remove dirt, mildew, or paint before painting or re-sealing. Can remove tough grime from a safe distance on hard surfaces.
- **Green (25 degree)** – Most common for home use. Good for cars, boats, lawn furniture, driveways, and decks.
- **White (40 degree)** – Gentle, wider spray for fragile surfaces such as windows, blinds, flower pots, etc.
- **Black (low-pressure soap nozzle)** – Low pressure for applying soap or detergent.
- **Turbo or rotary nozzle** – These sometimes come with the pressure washer, but not usually. They produce the pressure of a 0-degree nozzle with the spray area of a 25-degree nozzle, plus they rotate at 1800 - 3000 RPM. They can cut cleaning time in half for caked-on dirt and grime.



You can use standard car wash services to clean the vehicle. Ensure that you observe any rules posted by the car wash, and that the vehicle's windows are fully up and side mirrors are folded in before entering the car wash.



**DANGER**

- Before washing, ensure that the vehicle is not currently charging, and that the charge port cover is closed. Washing during charging is an electrocution risk and can lead to vehicle and property damage.
- Avoid spraying water at any electronics or exposed cabling.

1. Rinse the vehicle thoroughly with a hose to wash away dirt and debris.
2. Remove leaves and other obstructions from the air intake cover to keep the heating and air conditioning systems running efficiently. The air intake cover looks like vents, and you can find it under the hood near the front windshield. You can occasionally remove the air intake cover to wash it more thoroughly with a hose and sponge.



## CAUTION

- When the front trunk is open, don't direct a pressure washer or hose with a high water flow rate to the air intake cover. This may lead to degraded performance of the climate system. The durability of the air filter located below the air intake cover will also be impacted if it becomes repeatedly saturated with water.
- The front trunk can be vacuum-cleaned or scrubbed with a soft, damp cloth.





3. Use only detergent formulated for washing cars and a soft sponge to gently scrub away surface stains.
4. Soap and rinse sections of the vehicle at a time to prevent dry soap scum from forming.
5. To prevent corrosion, flush the vehicle's underbody, fenders, brakes, and wheel wells with water to remove road buildup.

**NOTE**

Underbody washing is especially effective right after an off-road adventure through sand, salt, mud, or de-icer.

6. Dry the vehicle with a chamois or soft cloth.
7. Clean the windows and mirrors with a glass cleaner and soft cloth.
8. You can optionally take the car for a drive around the block and apply the brakes in a normal fashion to properly dry them out after a wash.

**Waxing**

While exterior coatings such as wax or ceramic aren't required, you can occasionally apply additional exterior coating to further protect the paint and prolong the new look of your vehicle. This will also allow for easier maintenance washing. Always apply exterior coatings when the vehicle is clean, dry, and cool. Never apply in direct sunlight.

## Cold Weather Care

If your vehicle is iced over, use only the climate control system such as heat and defrost to thaw surfaces.



### CAUTION

- Don't pour hot water onto any glass surface to thaw the glass. This may cause the glass to crack.
- Don't use an ice scraper on plastic parts on the vehicle's exterior, such as the air intake cover and the trim near the windshield wipers. This may scratch or damage the plastic and nearby fixtures.



## Legal and Reference

### Legal

#### Certification Conformity

#### FCC and ISED Certification

Component	Certification Owner	Rivian ECU	FCC ID	ISED ID
Telematics Control Module 1.0	Rivian Automotive, LLC	R1 TCM Rev. F	2AW3A-XXXXXXXXXXXXXX	26958-XXXXXXXXXXXXXX
Vehicle Access System - BLE	Rivian Automotive, LLC	R1 VAS	2AW3A-XXXXXXXXXXXXXX	26958-XXXXXXXXXXXXXX
Vehicle Access System - NFC	Rivian Automotive, LLC		2AW3A-XXXXXXXXXXXXXX	26958-XXXXXXXXXXXXXX
Experience Management Module	Rivian Automotive, LLC	R1 XMM	2AW3A-XXXXXXXXXXXXXX	26958-XXXXXXXXXXXXXX
R1 Keyfob	SMK on behalf Rivian Automotive, LLC		2AW3A-XXXXXXXXXXXXXX	26958-XXXXXXXXXXXXXX
R1 Camp Speaker	Tymphany on behalf of Rivian Automotive, LLC		2AW3A-XXXXXXXXXXXXXX	26958-XXXXXXXXXXXXXX
R1 Wireless Charger	Cyntec on behalf of Rivian Automotive, LLC		2AW3A-XXXXXXXXXXXXXX	26958-XXXXXXXXXXXXXX

Rivian Proprietary & Confidential Draft - DO NOT DISTRIBUTE

## Exposure to Radio Frequency Energy

Rivian vehicles use Wi-Fi, Bluetooth, and cellular radio (LTE/WCDMA/GSM) transmitters that emit radio frequency (RF) energy. Though these devices emit very low levels of RF energy, keep a minimum distance of 9 inches (23 cm) from the human body during operation to meet the guidelines for RF exposure from the Federal Communications Commission of the United States (FCC), Industry Canada, and European Union.

[[Do we want to list examples of RF-emitting devices that Rivian uses?]]

This device complies with Part 15 of the FCC Rules and with Industry Canada license-exempt RSS standard(s) using limits for a Class B digital device. These limits are designed to provide reasonable protection against harmful interference in a residential installation. Operation is subject to the following two conditions:

1. This device may not cause harmful interference, and
2. This device must accept any interference received, including interference that may cause undesired operation.



### CAUTION

Changes and modifications made to this equipment not expressly approved by the manufacturer may void the FCC authorization to operate this equipment.

## Canada

Le présent appareil est conforme aux CNR d'Industrie Canada applicables aux appareils radio exempts de licence. L'exploitation est autorisée aux deux conditions suivantes:

1. l'appareil ne doit pas produire de brouillage, et
2. l'appareil doit accepter tout brouillage radioélectrique subi, même si le brouillage est susceptible d'en compromettre le fonctionnement.

## State-Specific Disclaimers

### California

#### Passenger and Off-Highway Motor Vehicles



### WARNING

Operating, servicing and maintaining a passenger vehicle or off-highway motor vehicle can expose you to chemicals including engine exhaust, carbon monoxide, phthalates, and lead, which are known to the State of California to cause cancer and birth defects or other reproductive harm. To minimize exposure, avoid breathing exhaust, do not idle the engine except as necessary, service your vehicle in a well-ventilated area and wear gloves or wash your hands frequently when servicing your vehicle. For more information go to [www.P65Warnings.ca.gov/passenger-vehicle](http://www.P65Warnings.ca.gov/passenger-vehicle).

### Event Data Recorder

This vehicle is equipped with an event data recorder (EDR). The main purpose of an EDR is to record, in certain crash or near crash-like situations, such as an air bag deployment or hitting a road obstacle, data that will assist in understanding how a vehicle's systems performed. The EDR is designed to record data related to vehicle dynamics and safety systems for a short period of time, typically 30 seconds or less. The EDR in this vehicle is designed to record such data as:

- How various systems in your vehicle were operating;
- Whether or not the driver and passenger safety belts were buckled/fastened;
- How far (if at all) the driver was depressing the accelerator and/or brake pedal; and,
- How fast the vehicle was traveling.

These data can help provide a better understanding of the circumstances in which crashes and injuries occur.

### NOTE

EDR data are recorded by your vehicle only if a non-trivial crash situation occurs; no data are recorded by the EDR under normal driving conditions, and no personal data (e.g., name, gender, age, and crash location) are recorded. However, other parties, such as law

enforcement, could combine the EDR data with the type of personally identifying data routinely acquired during a crash investigation.

To read data recorded by an EDR, special equipment is required, and access to the vehicle or the EDR is needed. In addition to the vehicle manufacturer, other parties, such as law enforcement, that have the special equipment, can read the information if they have access to the vehicle or the EDR.

### **Privacy and User Data**

Your privacy is important to Rivian. To learn more about the data we collect from you and your vehicle and our data handling practices, see Rivian's [Privacy Policy](#).

#### **Call**

[\(866\) 955-1157](tel:(866)955-1157)

#### **Write**

[privacy@rivian.com](mailto:privacy@rivian.com)

#### **Quality Control**

All Rivian vehicles undergo extensive quality testing, road testing, and inspection before they are delivered. This may result in a few miles/kilometers on the odometer when your Rivian vehicle is delivered to you.