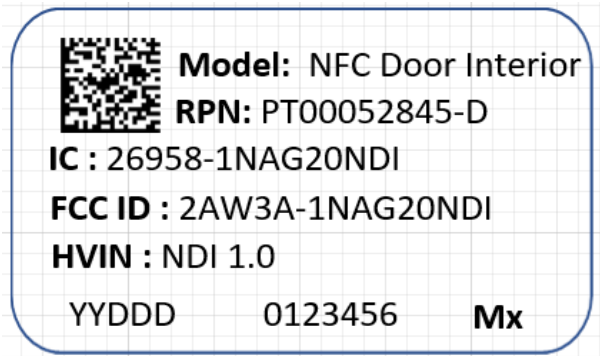


Rivian NFC: NDI – LABEL

Product Description: Vehicle Access System - NFC Door Interior
Model/Type Number: NDI 1.0
FCC ID: 2AW3A-1NAG20NDI / IC: 26958-1NAG20NDI

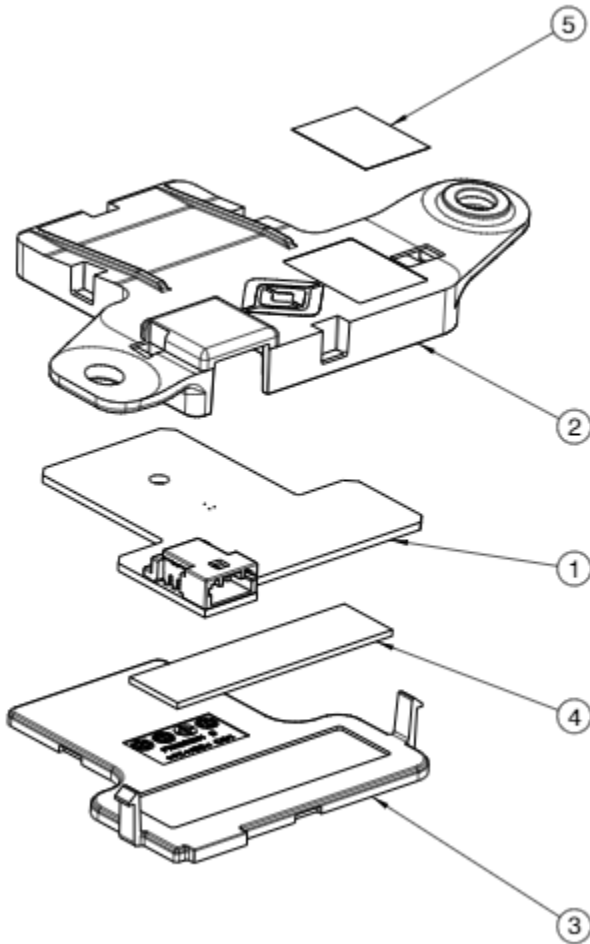
Example Label

20 mm = 0.787 in



15 mm = 0.59 in

Label Placement



5	1	PT00090863	LABEL - PRODUCT MARKING; 20X15	A
4	1	PT00056081	CLOSED CELL FOAM	D
3	1	PT00052861	BASE; LVE; NFC, DOOR INTERIOR, LHD	D
2	1	PT00052859	COVER; LVE; NFC, DOOR INTERIOR, LHD	D
1	1	PT00052862	PCB; LVE; NFC, DOOR INTERIOR, LHD	D
Item No.	Qty.	Name	Title	Rev.