



# Shenzhen South Star Technology Co., LTD

---

**ADD:** 1606/C6 , Hengfeng Industry Building,  
Baoan District, ShenZhen, China

**Email:** samliang@sz-southstar.com

**TEL:** 86-755-27474071      **FAX:** 86-755-29976316

## SPECIFIC ATIONS FOR APPROVAL

**Customer Name:** SAIC GM WULING AUTOMOBILE CO.,LTD

---

**Product Name:** BT Antenna

---

**Product Model:** 202S MY24

---

**Part Number:** N12-7484-R0A

---

**Write By :** HengXiang Song

---

**Issued Date:** 2021-01-18

---

## Test Equipment & Conditions

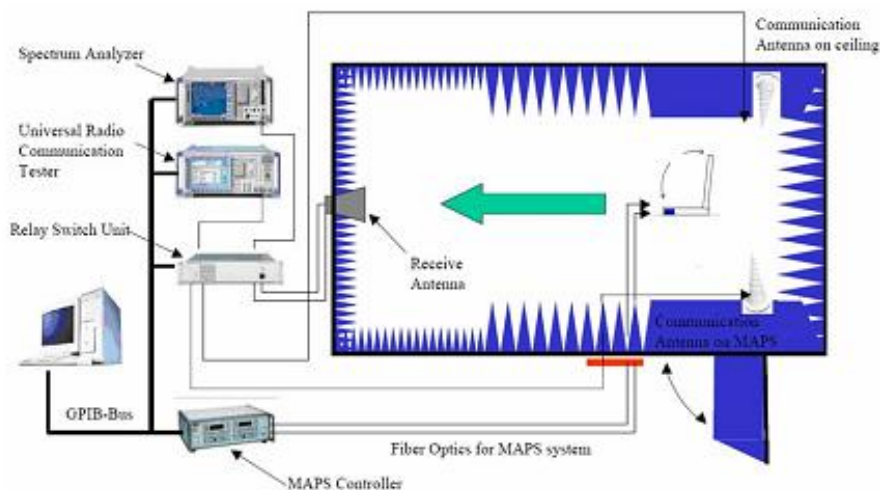
### 1. Network Analyzers :

Agilent 8753D E5063A

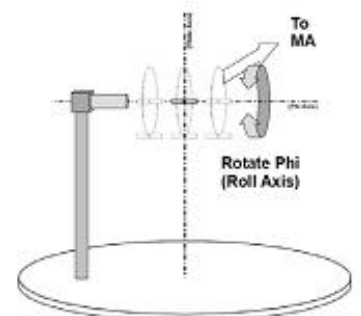
### 2. Communications Test Set:

Agilent E5071B

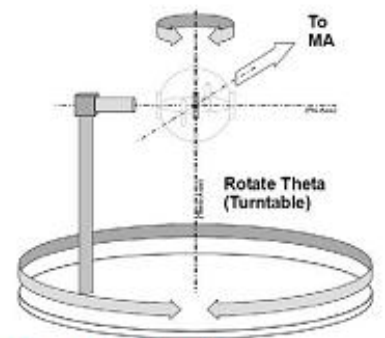
### 3. 3D Chamber Test System



(Testing by 3D anechoic chamber)



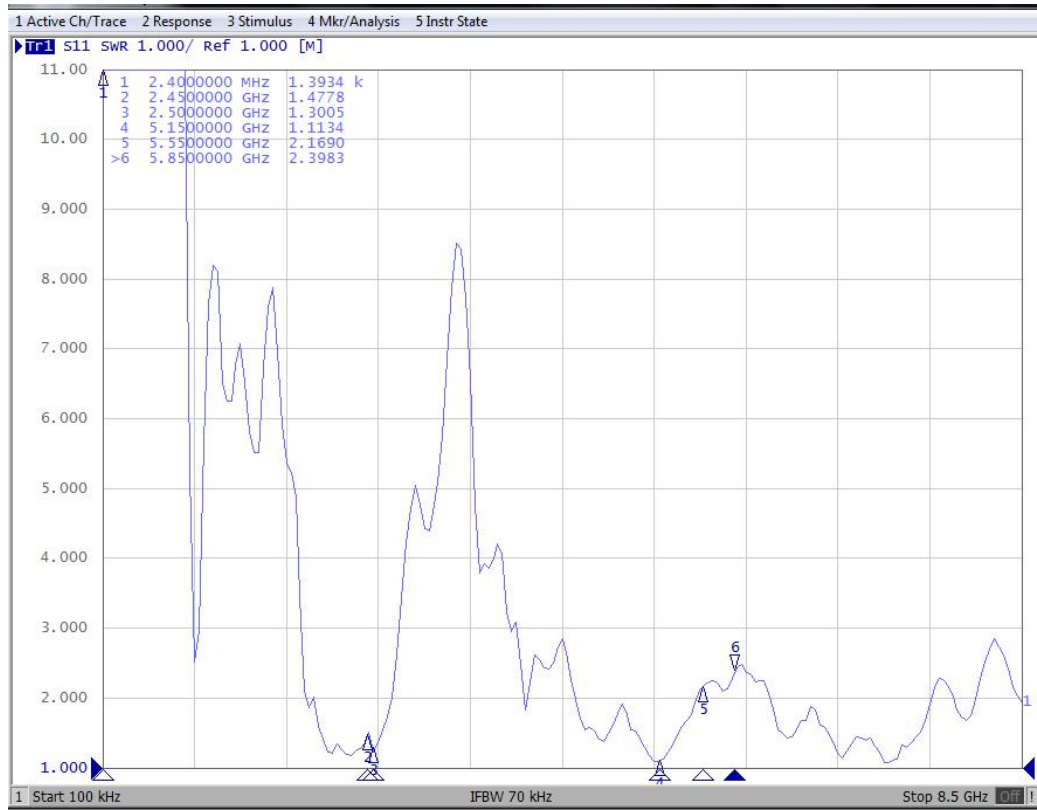
Phi axis test



Theta axis test



**Antenna Impedance: S11**



**Total Efficiency & GAIN**

2.4G

5G

Freq (MHz)	Effi (%)	Gain (dBi)	Freq (MHz)	Effi (%)	Gain (dBi)
2400	45.14	2.58	5150	37.97	2.92
2410	44.99	2.6	5200	42.37	3.68
2420	46.66	2.66	5250	39.7	3.64
2430	47.75	2.81	5300	41.98	3.87
2440	49.4	3.25	5350	41.46	3.65
2450	52.33	3.64	5400	41	3.62
2460	54.76	3.89	5450	35.65	3.06
2470	59.83	4.11	5500	39.7	2.78
2480	59.48	3.94	5550	41.5	2.45
2490	54.57	3.33	5600	42.49	2.18
2500	50.93	2.61	5650	40.8	2.08
	51.44	3.22	5700	39.33	2.14
			5750	39.41	2.86
			5800	42.51	4.35
			5850	46.93	5.28
				40.85333	3.237333