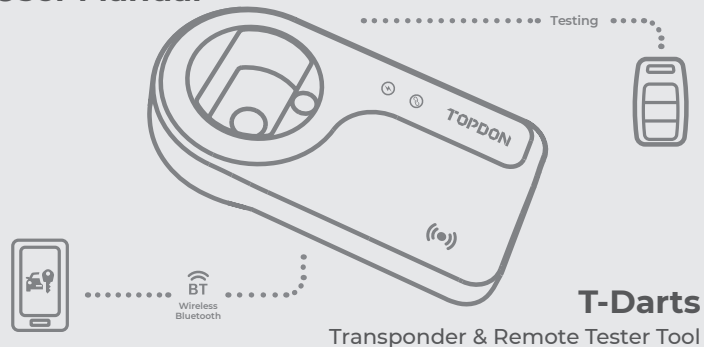


836-TDAS-20000说明书

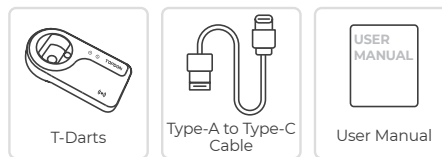
包装_T-Darts_说明书_风琴折_80G书纸_单色印刷_297*140mm需折叠

TOPDON

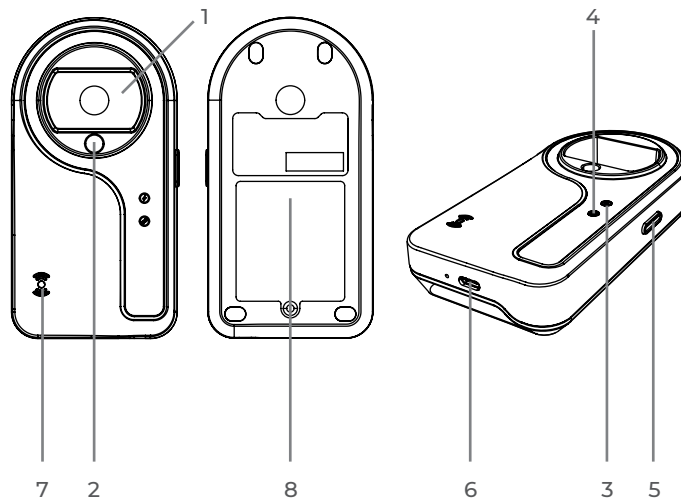
User Manual



What's in the Box



Product Overview



1. Vehicle Key Slot

2. Key Transponder Slot

3. Power Indicator (Solid blue: power on)

Note: When performing the Frequency Detection function, every time you press the vehicle key button, this indicator will flash blue, indicating the frequency testing process.

4. Bluetooth Connection Indicator (Solid green: Bluetooth connected)

5. Power Button (Press and hold the button to turn on the T-Darts.)

Note: When powered by 4 AAA batteries, the T-Darts will automatically turn off if no operation is performed within 5 minutes.

6. USB Type-C Port

7. Frequency Induction Antenna

Detects remote frequency at a standard distance of 1-10 cm (0.4 to 4 inches).

8. Battery Compartment

Accepts 4 AAA batteries (not included).

Basic Operation

1. Download & Install the App

Please go to the **App Store** or **Google Play** and search for **TopScan** to download and install the app to your phone.



TopScan



2. Register & Log In

Open the app and log in to your TOPDON account. (If you do not have an account, please register with your email.)

TEL 1-833-629-4832 (North America)

EMAIL SUPPORT@TOPDON.COM

WEBSITE WWW.TOPDON.COM

FACEBOOK @TOPDONOFFICIAL

TWITTER @TOPDONOFFICIAL

*This device complies with Part 15 of the FCC Rules. Operation is subject to the following two conditions: (1) this device may not cause harmful interference, and (2) this device must accept any interference received, including interference that may cause undesired operation.

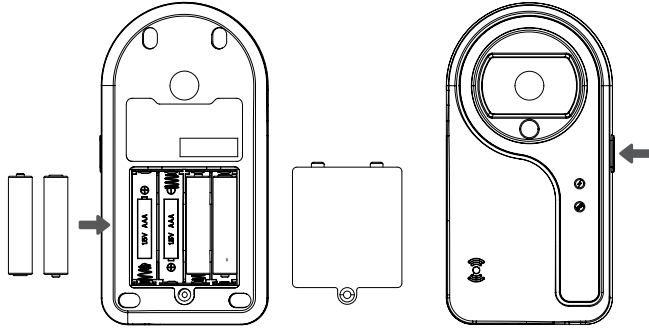
*Any changes or modifications not expressly approved by the party responsible for compliance could void the user's authority to operate the equipment.



3. Turn on the T-Darts

Install 4 AAA batteries (not included) and press and hold the power button to turn on the T-Darts.

The T-Darts can also be powered by an external USB power source. The T-Darts will automatically power on when it is connected to a power source via its USB Type-C port.



4. Bind the T-Darts

- ① Tap Me > T-Darts Management > Add T-Darts.
- ② To get the serial number and activation code, please scan the QR code on the product. Alternatively, tap the **T-Darts** icon at the top right of the activation screen to establish Bluetooth connection. Once the Bluetooth connection between the T-Darts and your phone is established, the serial number and activation code will be automatically obtained.
- ③ Tap Activate.

5. Bluetooth Connection

Tap **T-Darts** from the home screen, and tap the gray **T-Darts** icon at the top right of the screen to establish Bluetooth connection with the T-Darts unit. After the T-Darts successfully connects, the icon changes to **T-Darts**, while the Bluetooth connection indicator on the T-Darts illuminates green.

6. Your T-Darts Is Now Ready for Use

Follow the on-screen instructions to perform the Transponder Recognition, Frequency Detection and Test IMMO / PKE Coil functions.

- **Transponder Recognition** - Read transponder information.
- **Frequency Detection** - Test remote control frequency. The testable frequency range is as follows: 300~320MHz, 430~434MHz, 868MHz, 902~915MHz.
- **Test IMMO / PKE Coil** - Test IMMO / PKE low frequency coil (supports 125kHz and 134kHz frequency bands).

IMMO Coil:

For vehicles equipped with a blade key, the IMMO coil is usually located in the ignition switch. For vehicles equipped with a smart key, the IMMO coil is usually located in the Engine Start Stop button, steering column, cup holder or the armrest storage compartment.

PKE Coil:

Generally, only vehicles with Passive Keyless Entry (PKE) systems will have a PKE coil, which is usually located in the driver door handle, or in the B-pillar of the vehicle body for some models.

Note: When performing the Frequency Detection and Test IMMO / PKE Coil functions, the terminal device (your phone) will make a beep sound if the T-Darts detects a frequency.

Specifications

Working Voltage	2.5V ~ 3.3V
Power Requirements	4 AAA batteries or external USB power source
Dimensions	5.49 × 2.83 × 1.11 in. (139.5 × 72.0 × 28.2 mm)
Net Weight	100 g (3.53 oz)

Warranty

FCC Requirement

Any changes or modifications not expressly approved by the party responsible for compliance could void the user's authority to operate the equipment.

This device complies with Part 15 of the FCC Rules. Operation is subject to the following two conditions:

- (1) this device may not cause harmful interference, and
- (2) this device must accept any interference received, including interference that may cause undesired operation.

Notice: All information in this manual is based on the latest information available at the time of publication and no warranty can be made for its accuracy or completeness. TOPDON reserves the right to make changes at any time without notice.

Note: This equipment has been tested and found to comply with the limits for a Class B digital device, pursuant to Part 15 of the FCC Rules. These limits are designed to provide reasonable protection against harmful interference in a residential installation. This equipment generates, uses, and can radiate radio frequency energy, and if not installed and used in accordance with the instructions, may cause harmful interference to radio communications. However, there is no guarantee that interference will not occur in a particular installation. If this equipment does cause harmful interference to radio or television reception, which can be determined by turning the equipment off and on, the user is encouraged to try to correct the interference by one or more of the following measures: – Reorient or relocate the receiving antenna. – Increase the separation between the equipment and receiver. – Connect the equipment into an outlet on a circuit different from that to which the receiver is connected. – Consult the dealer or an experienced radio/TV technician for help.

折后正面

折后背面