

About the Manual

- This manual is for reference only. The operation of the actual product shall prevail if there is any inconsistency.
- All the designs and software are subject to change without prior written notice.
- All trademarks and registered trademarks mentioned are the properties of their respective owners.
- Please visit our website or contact your local customer service if there is any problem when using the device.
- If there is any uncertainty or controversy, we reserve the right of final explanation.

Step 4

Wait for booting to be finished, and then the camera indicator light flashes green.

Step 5

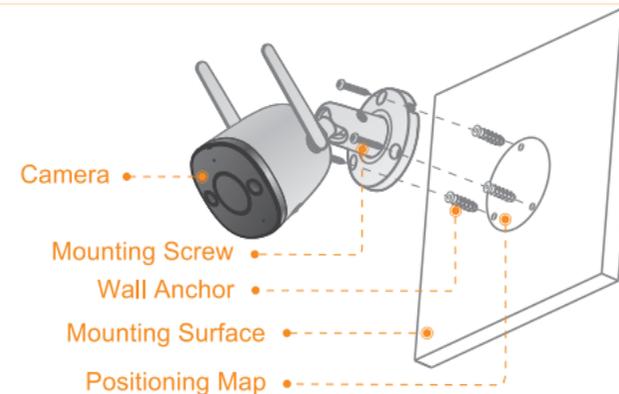
Do the following operations to finish adding the camera.



- If you have more than one camera, do step 5 to add them one by one.
- If the Wi-Fi network has changed or the indicator status goes wrong, press and hold the RESET button for 10 s to reset the camera, and then do step 5 to add the camera again.

Installing Camera

Make sure that the mounting surface is strong enough to hold at least three times of the device weight.



- Step1** Drill screw holes on the mounting surface as the positioning map shows, and then put in the wall anchors.
- Step2** Attach the pedestal to the mounting surface with the mounting screws.
- Step3** Power up the camera, and then adjust the lens to the ideal angle.

FAQ

► Q: The device cannot work normally or start?

Check the LED indicator status. If the light is not in green, press and hold the reset button for 10 s to reset the camera.

► Q: How to connect the camera to a new Wi-Fi?

- If the camera is online, select **Device Details > Network Config** to change the Wi-Fi connection on the app.
- If the camera is offline, reset the camera, and then configure the camera again.

► Q: Connection is overtime?

- Check the Wi-Fi configuration of the router: Select the channel to auto, and the mode to 11bgn mixed.
- Check if the distance between the camera and the router, the camera and the smart phone is within 5 m (16.4 ft) during the connection.

► Q: When the Micro SD card is full, how is the recorded video saved?

When the Micro SD card is full, the system will overwrite the previous recorded videos. Save the important information in time.

► Q: The device is offline?

Check the indicator status:

- If the green light is on, check whether the router can connect to the Internet. If Internet is working, restart the camera.
- If the red light flashes, reset the camera, and then configure the camera again.
- If the red light is on, it means the camera is faulty.

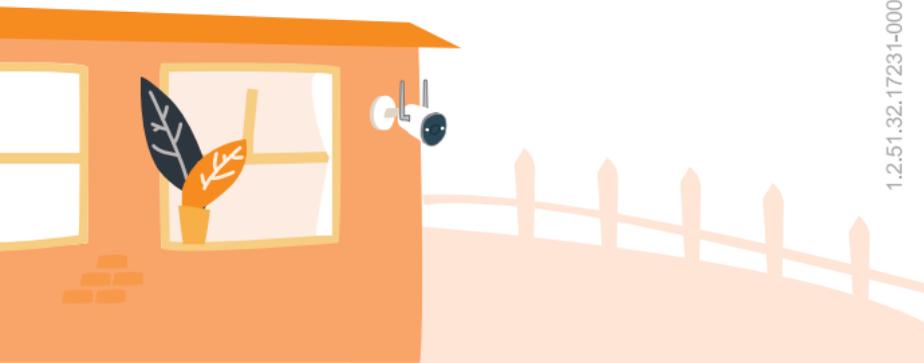
For more questions, please scan the QR code below or visit: www.imoulife.com/web/support/help





Quick Start Guide

Version 1.0.0



1.2.51.32.17231-000

Packing List



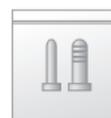
Camera ×1



Positioning Map ×1



Power Adapter ×1



Screw Package ×1

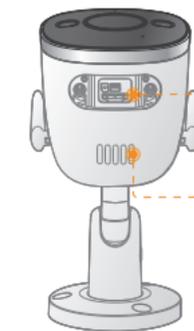
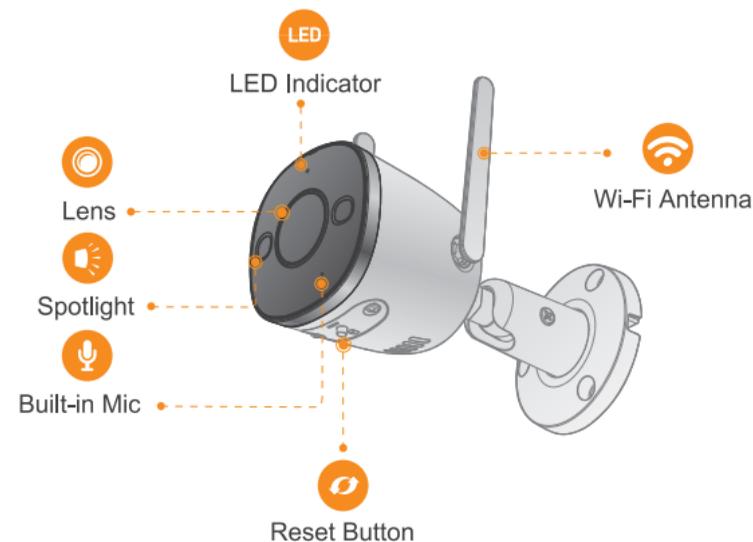


QSG ×1



Waterproof Connector ×1

Camera Introduction



The pattern of the LED indicator is included in the following table.

LED Indicator Status	Device Status
Off	<ul style="list-style-type: none"> Powered off/LED turned off Rebooting after reset
Red light on	<ul style="list-style-type: none"> Booting Device malfunction
Red light flashing	Network connection failed
Green light flashing	Waiting for network
Green light on	Operating properly
Green and red lights flashing alternately	Firmware updating

Operating with Imou Life App

Step 1

Scan the following QR code or search "Imou Life" in Google Play or App Store to download and install the app.

If you have installed the app, update it to the latest version.



Step 2

Run the Imou Life App, and then create an account for the first use.

Step 3

Connect the camera to power source with the power adapter.

Legal and Regulatory Information

Legal Considerations

Video surveillance can be regulated by laws that vary from country to country. Check the laws in your local region before using this product for surveillance purposes.

Disclaimer

Every care has been taken in the preparation of this document. Please inform your nearest Dahua office of any inaccuracies or omissions. Dahua Technology shall not be held responsible for any technical or typographical errors and reserves the right to change the product and manuals without prior notice. Dahua Technology makes no warranty of any kind with regard to the material contained within this document, including, but not limited to, the implied warranties of merchantability and fitness for a particular purpose. Dahua Technology shall not be liable or responsible for incidental or consequential damages in connection with the furnishing, performance or use of this material. This product is only to be used for its intended purpose.

Intellectual Property Rights

Dahua Technology retains all intellectual property rights relating to technology embodied in the product described in this document.

Equipment Modifications

This equipment must be installed and used in strict accordance with the instructions given in the user documentation. This equipment contains no user-serviceable components. Unauthorized equipment changes or modifications will invalidate all applicable regulatory certifications and approvals.

Trademark Acknowledgments

  are registered trademarks or trademark applications of Dahua Technology in various jurisdictions. All other company names and products are trademarks or registered trademarks of their respective companies.

Regulatory Information

European Directives Compliance

 This product complies with the applicable CE marking directives and standards:

- Low Voltage (LVD) Directive 2014/35/EU.
- Electromagnetic Compatibility (EMC) Directive 2014/30/EU.

- Restrictions of Hazardous Substances (RoHS) Directive 2011/65/EU and its amendment (EU) 2015/863

A copy of the original declaration of conformity may be obtained from Dahua Technology.

The most up to date copy of the signed EU Declaration of Conformity (DoC) can be downloaded from: www.dahuasecurity.com/support/notice/

CE-Electromagnetic Compatibility (EMC)

This digital equipment is compliant with Class B according to EN 55032.

CE-Safety

This product complies with IEC/EN/UL 60950-1 or IEC/EN/UL 62368-1, Safety of Information Technology Equipment.

Declaration of Conformity CE

(Only for the product has RF function)

Hereby, Dahua Technology declares that the radio equipment is compliant with Radio Equipment Directive (RED) 2014/53/EU. The full text of the EU declaration of conformity is available at the following internet address: www.dahuasecurity.com/support/notice/

USA Regulatory Compliance

FCC

This device complies with Part 15 of the FCC Rules. Operation is subject to the following two conditions:

- (1) This device may not cause harmful interference.
- (2) This device must accept any interference received, including interference that may cause undesired operation.

Attention that changes or modification not expressly approved by the party responsible for compliance could void the user's authority to operate the equipment.

Note: This product has been tested and found to comply with the limits for a Class B digital device, pursuant to Part 15 of the FCC Rules. These limits are designed to provide reasonable protection against harmful interference in a residential installation. This product generates, uses, and can radiate radio frequency energy and, if not installed and used in accordance with the instructions, may cause harmful interference to radio communications. However, there is no guarantee that interference will not occur in a particular installation. If this product does cause harmful interference to radio or television reception, which can be determined by turning the equipment off and on, the user is encouraged to try to correct the interference by one or more of the following measures:

- Reorient or relocate the receiving antenna.
- Increase the separation between the equipment and receiver.
- Connect the equipment into an outlet on a circuit different from that to which the receiver is connected.
- Consult the dealer or an experienced radio/TV technician for help.

FCC SDOCC Statement can be downloaded from: <https://us.dahuasecurity.com/support/notices/>

01

Privacy Protection Notice

As the device user or data controller, you might collect personal data of others such as face, fingerprints, car plate number, Email address, phone number, GPS and so on. You need to be in compliance with the local privacy protection laws and regulations to protect the legitimate rights and interests of other people by implementing measures, including but not limited to: providing clear and visible identification to inform data subject the existence of surveillance area and providing related contact.

About the Manual

- The manual is for reference only. If there is inconsistency between the manual and the actual product, the actual product shall prevail.
- We are not liable for any loss caused by the operations that do not comply with the manual.
- The manual would be updated according to the latest laws and regulations of related jurisdictions. For detailed information, refer to the paper manual, CD-ROM, QR code or our official website. If there is inconsistency between paper manual and the electronic version, the electronic version shall prevail.
- All the designs and softwares are subject to change without prior written notice.
- The product updates might cause some difference between the actual product and the manual. Please contact the customer service for the latest program and supplementary documentation.
- There still might be deviation in technical data, functions and operations description, or errors in print. If there is any doubt or dispute, we reserve the right of final explanation.
- Upgrade the reader software or try other mainstream reader software if the manual (in PDF format) cannot be opened.
- All trademarks, registered trademarks and the company names in the manual are the properties of their respective owners.
- Please visit our website, contact the supplier or customer service if there is any problem occurring when using the device.
- If there is any uncertainty or controversy, we reserve the right of final explanation.

Support

Should you require any technical assistance, please contact your Dahua distributor. If your questions cannot be answered immediately, your distributor will forward your queries through the appropriate channels to ensure a rapid response. If you are connected to the Internet, you can:

- Download user documentation and software updates.
- Search by product, category, or phrase.
- Report problems to Dahua support staff by logging in to your private support area.
- Chat with Dahua support staff.
- Visit Dahua Support at www.dahuasecurity.com/support/.

Contact Information

ZHEJIANG DAHUA VISION TECHNOLOGY CO., LTD.

Address: No.1169, Bin'an Road, Binjiang District, Hangzhou, P.R. China

Postcode: 310053

Tel: +86-571-87688883

Fax: +86-571-87688815

Email: overseas@dahuatech.com

Website: www.dahuasecurity.com

English

Important Safeguards and Warnings

This Chapter describes the contents covering proper handling of the device, hazard prevention, and prevention of property damage. Read these contents carefully before using the device, comply with them when using, and keep it well for future reference.

Safety Instructions

The following categorized signal words with defined meaning might appear in the manual

Signal Words	Meaning
	Indicates a high potential hazard which, if not avoided, will result in death or serious injury.
	Indicates a medium or low potential hazard which, if not avoided, could result in slight or moderate injury.
	Indicates a potential risk which, if not avoided, could result in property damage, data loss, lower performance, or unpredictable result.
	Provides methods to help you solve a problem or save you time.
	Provides additional information as the emphasis and supplement to the text.

Safety Requirement

- Abide by local electrical safety standards to ensure that the voltage is stable and complies with the power supply requirement of the device.
- Transport, use, and store the device under the allowed humidity and temperature conditions. Refer to the corresponding technical specifications of device for specific working temperature and humidity.
- Do not place the device in a location exposed to dampness, dust, extreme hot or cold, strong electronic radiation, or unstable lighting conditions.
- Do not install the device in a place near the heat source, such as radiator, heater, furnace, or other heat generating device to avoid fire.
- Prevent liquid from flowing into the device to avoid damage to internal components.
- Install the device horizontally or install on the stable plane to prevent it from falling.
- Install the device in a well-ventilated place, and do not block the ventilation of the device.

Suomi

Tärkeitä varoimenpiteitä ja varoituksia

Tässä luvussa kuvataan laitteen asianmukainen käsittely, vaarojen torjunta ja omaisuusvahinkon estäminen. Lue tämä sisällysluettelo huolellisesti ennen käyttämistä ja noudata näitä ohjeita, kun käytät laitetta. Säilytä ohjeet tulevia tarpeita varten.

Turvallisuushohke

Suraavat luokitellut huomoisanat kuvattulla merkityksellä saattavat esiintyä oppaassa.

Huomoisanat	Merkitys
	Ilmaisee suuren potentiaalisen vaaran, joka johtaa kuolemaan tai vakavaan loukkaantumiseen, jos sitä ei vältetä.
	Ilmaisee keskiuuden tai pienen potentiaalisen vaaran, joka saattaa johtaa lievään tai kohtalaisen loukkaantumiseen, jos sitä ei vältetä.
	Ilmaisee mahdollisen vaarallisen tilanteen, joka saattaa johtaa omaisuusvahinkoon, tietojen menetykseen, suorituskyvön heikkenemiseen tai odottamattomiin tuloksiin, jos sitä ei vältetä.
	Tarjoava apua ongelmien ratkaisemiseen tai säästävät aikaa.
	Tarjoaa lisätietoja, joka korostaa tai täydentää tekstiä.

Turvallisuusvaatimus

- Noudata paikallisia sähköturvallisuusstandardeja varmistaksesi, että jännite on vakaa ja vastaa laitteen virtalähteen asetus- ja vaatimuksia.
- Kujeta, käytä ja säilytä laitetta sallituissa kosteus- ja lämpötiloissa. Katso laitteen erityinen käyttöympäristö- ja -kosteus laitteen vastaavista teknistä tiedoista.
- Älä sijoita laitetta paikkaan, jossa se altistuu kosteudelle, pölylle, erittäin kuivalle tai kylmälle lämpötilalle, voimakkaalle sähköisäilylle tai epävakaille valaistusolosuhteille.
- Älä asenna laitetta lähelle lämmönlähdettä, tuuletinlämpöpatteria, lämmintä, uunia tai muuta lämpöä tuottavaa laitetta, tulipalon vaaralliseksi.
- Vältä nestöiden pääsyä laitteen sisäisiin osiin komponenttien vahingoittumisen estämiseksi.
- Asenna laite vaakaasoraan tai asenna se vaakaseen paikkaan estääksesi sen kaatumisen.
- Asenna laite hyvin ilmastoituihin paikkoihin äläkä peitä laitteen tuuletusaukkoja.
- Älä pura laitetta omavaltaisesti.
- Vältä kovaa rasistelua, voimakasta tärinää ja kuolettavia kuljetuksen, säilytyksen ja asennuksen aikana. Kuljetus vaatii täydellisen pakkaamisen.
- Käytä toivottua pakkausta tai vastaavaa kuljetuksen aikana.

Paristo

Aihainen pariston varustaus vaikuttaa tosiaikakellon (RTC:n) toimintaan nollaten sen jokaisella käynnistyskerralla. Luvokiesi ilmesty tuotteen palvelinpariston, kun paristo on vaihdettava. Lisätietoja palvelinpariston saat luottien

09

Signal Words	Meaning
	Indică un pericol potențial mediu sau scăzut care, dacă nu este evitat, poate duce la rănii ușoare sau moderate.
	Indică un risc potențial care, dacă nu este evitat, ar putea duce la daune materiale, pierdere de date, performanțe mai scăzute sau rezultate imprevizibile.
	Offeră metode care să vă ajute să rezolvați o problemă sau să economisiți timp.
	Offeră informații suplimentare ca accent și supliment la text.

Cerinta de siguranta

- Respectați standardele locale de siguranță electrică pentru a vă asigura că echipamentul este stabil și respectă cerințele de alimentare ale dispozitivului.
- Transportați, utilizați și depozitați dispozitivul sub condițiile de umiditate și temperatură admise. Consultați specificațiile tehnice corespunzătoare ale dispozitivului pentru temperatură și umiditate specifice de lucru.
- Nu așezați dispozitivul într-o locație expusă la umezeală, praf, extrem de caldă sau rece, de radiații electronice puternice sau de condiții de iluminare instabile.
- Nu instalați dispozitivul într-un loc în apropierea sursei de căldură, cum ar fi radiatorul, încălzitorul, cuptorul sau al dispozitiv generator de căldură, centru pe evita incendiul.
- Impedicați curgerea lichidului în dispozitiv pentru a evita deteriorarea componentelor interne.
- Instalați dispozitivul în poziție orizontală sau instalați-l pe un loc stabil pentru a preveni căderea acestuia.
- Instalați aparatul într-un loc bine ventilat și nu blocați ventilația aparatului.
- Nu dezamblați dispozitivul voi.
- Evitați loviturile puternice, vibrațiile violente și umiditatea în timpul transportului, depozitării și instalării. Este necesar un pachet complet în timpul transportului.
- Utilizați pachetul de fabrica sau echivalent în timpul transportului.

Baterie

Puterea redusă a bateriei afectează funcționarea RTC, determinând resetarea la ficare pomire. Când bateria are nevoie de înlocuire, în raportul servierului dispozitivului va apărea un mesaj de jurnal. Pentru mai multe informații despre raportul servierului, consultați paginile de configurare ale produsului sau contactați asistența Dahua.

AVERTIZARE

- Risc de explozie dacă bateria este înlocuită incorect.
- Înlocuiți numai cu o baterie identică sau o baterie recomandată de Dahua.
- Anulați bateria uzată în conformitate cu reglementările locale sau cu instrucțiunile producătorului bateriei.

RF exposure warning

(Only for the product has RF communication function)

This equipment must be installed and operated in accordance with provided instructions and the antenna(s) used for this transmitter must be installed to provide a separation distance of at least 20 cm from all persons and must not be co-located or operating in conjunction with any other antenna or transmitter. End-users and installers must be provided with antenna installation instructions and transmitter operating conditions for satisfying RF exposure compliance.

This equipment should be installed and operated with a minimum distance 20cm between the radiator and your body.

Canada Regulatory Compliance

ICES-003

This Class B digital apparatus complies with Canadian ICES-003.

Cet appareil numérique de la classe B est conforme à la norme NMB-003 du Canada.

This device complies with Industry Canada licence-exempt RSS standard(s). Operation is subject to the following two conditions:

- (1) This device may not cause interference, and
- (2) This device must accept any interference, including interference that may cause undesired operation of the device.

Le présent appareil est conforme aux CNR d'Industrie Canada applicables aux appareils radio exempts de licence. L'exploitation est autorisée aux deux conditions suivantes:

- (1) l'appareil ne doit pas produire de brouillage, et
- (2) l'utilisateur de l'appareil doit accepter tout brouillage radioélectrique subi, même si le brouillage est susceptible d'en compromettre le fonctionnement.

RF exposure warning

(Only for the product has RF communication function)

This equipment should be installed and operated with a minimum distance 20cm between the radiator and your body.

Cet équipement doit être installé et utilisé à une distance minimale de 20 cm entre le radiateur et votre corps.

Under Industry Canada regulations, this radio transmitter may only operate using an antenna of a type and maximum (or lesser) gain approved for the transmitter by Industry Canada. To reduce potential radio interference to other users, the antenna type and its gain should be so chosen that the equivalent isotropically radiated power (e.i.r.p.) is not more than that necessary for successful communication.

Conformément à la réglementation d'Industrie Canada, le présent émetteur radio peut fonctionner avec une antenne d'un type et d'un gain maximal (ou inférieur) approuvé pour l'émetteur par Industrie Canada. Dans le but de réduire les risques de brouillage radioélectrique à l'intention des autres utilisateurs, il faut choisir le type d'antenne et son gain de sorte que la puissance isotrope rayonnée équivalente (p.i.r.e.) ne dépasse pas l'intensité nécessaire à l'établissement d'une communication satisfaisante.

02

- Do not disassemble the device arbitrarily.
- Avoid heavy stress, violent vibration, and soaking during during transportation, storage, and installation. Complete package is necessary during the transportation.
- Use the factory package or the equivalent for transportation.

Battery

Low battery power affects the operation of the RTC, causing it to reset at every power-up. When the battery needs replacing, a log message will appear in the product's server report. For more information about the server report, see the product's setup pages or contact Dahua support.

⚠️ WARNING

- Risk of explosion if the battery is incorrectly replaced.
- Replace only with an identical battery or a battery which is recommended by Dahua.
- Dispose of used batteries according to local regulations or the battery manufacturer's instructions.

Polski

Ważne środki ostrożności i ostrzeżenia

Niniejszy rozdział opisuje właściwe sposoby korzystania z urządzenia, sposoby zapobiegania zagrożeniom, a także sposoby zapobiegania uszkodzeniu minie. Przed rozpoczęciem korzystania z urządzenia zapoznaj się dokładnie z tymi informacjami i zachowaj je na przyszłość do celów referencyjnych.

Instrukcje dot. bezpieczeństwa

W podręczniku mogą pojawić się następujące symbole. Ich znaczenie wyjaśnia poniższa tabela.

Symbol	Znaczenie
	Oznacza potencjalne zagrożenie wysokiego stopnia, którego uniknięcie może skutkować poważnymi urazami lub śmiercią.
	Oznacza potencjalne zagrożenie średniego lub niskiego stopnia, którego uniknięcie może skutkować pomniejszonymi lub średnimi urazami.
	Oznacza potencjalne zagrożenie, którego uniknięcie może skutkować zniszczeniem minie, utratą danych, spadkiem wydajności lub mieć inne nieprzewidziane skutki.
	Oznacza wskazówki pozwalające na rozwiązanie problemu lub oszczędność czasu.
	Oznacza informacje uzupełniające tekst główny.

07

asetussivulla tai ottamalla yhteyttä Dahanun tukeen.

VAROITUS

- Räjähdyysvaara, jos paristo asetetaan väärin paikalleen.
- Vahda vain samanlaisen pariston tai Dahanun suositteleman pariston.
- Hävitä käytetyt paristot ja akut paikallisten määräysten tai valmistajan ohjeiden mukaisesti.

Magyar

Fontos óvintézkedések és figyelmeztetések

A jelen fejezet leírja az Eszköz megfelelő kezelését, a veszélyek megelőzését és a vagyoni károk megelőzését. Az Eszköz használatát előtt olvassa el figyelmesen, a használati során lartsa be, és őrizze meg jól jövőbeni hivatkozás céljára.

Biztonsági utasítások

Az Űtmutatóban az alábbi meghatározott jelentéssel bíró kategorizált figyelmeztetéseket jeleníthetnek meg.

Figyelmeztetés	Jelentés
	Nagy potenciális veszélyt jelez, amely, ha nem kerül el, halált vagy súlyos sérülést okoz.
	Közepes vagy kis potenciális veszélyt jelez, amely, ha nem kerül el, enyhe vagy mérsékelt sérülést okozhat.
	Olyan potenciális kockázatot jelez, amely, ha nem kerül el, vagyoni kárt, adatszételést, alacsonyabb teljesítményt vagy kiszámíthatatlan eredményt okozhat.
	Olyan módszereket biztosít, amelyek segítenek megoldani a problémákat vagy időt takarítaniuk meg.
	További információkat biztosít a szöveg kiemelésével.

Biztonsági követelmények

- Tartsa be a helyi elektromos biztonsági szabványokat annak biztosítása érdekében, hogy a feszültség stabil és az eszköz áramellátási követelményének megfelelő legyen.
- Az eszközöt a megengedett páratartalom és hőmérséklet viszonyok között szállítsa, használja, és tárolja. A körkört üzemi hőmérsékletet és páratartalmat megjelöli az eszköz műszaki leírésában.
- Ne tegye az eszközt olyan helyre, ahol nedvességnek, pornak, rendkívül melegnek vagy hidegnek, erős elektronikus sugárzásnak, vagy instabil fényvisszaverőknek van kitéve.
- A tűz elkerülése érdekében ne telepítse az eszközt hőforrás, mint például radiátor, hőszűrő, kemma, vagy más hőtermelő közelében lévő helyre.
- A leesésnek megakadályozása érdekében az eszközt vízszintes telepítse, és

Čeština

Důležitá bezpečnostní opatření a varování

Tato kapitola popisuje obsah vztahující se na správnou manipulaci se zařízením, preventivní bezpečnostní a preventivní škod na majetku. Pečlivě si tyto informace přečtěte před použitím zařízení, během používání zařízení i dodržujte je uschovejte je pro budoucí použití.

Bezpečnostní pokyny

Tato příručka může obsahovat následující kategorie signálních slov.

Signální slova	Význam
	Označuje možnost závažného nebezpečí, které, pokud by nu nebylo zamezeno, může mít za následek smrt nebo vážné zranění.
	Označuje možnost středně nebo málo závažného nebezpečí, které, pokud by nu nebylo zamezeno, může mít za následek lehké nebo nepřilíš závažné zranění.
	Označuje možné riziko, které, pokud by nu nebylo zamezeno, může mít za následek škodu na majetku, ztrátu dat, snížení výkonu nebo neočekávaný výsledek.
	Uvádí metody, které vám pomohou vyřešit problém nebo vám ušetří čas.
	Poskytuje dodatečné informace formou důrazu a doplnění textu.

Bezpečnostní požadavky

- Dodržujte místní normy pro elektrickou bezpečnost pro zajištění stabilního napětí a dodržení požadavků na napájení zařízení.
- Zařízení připravujte, používejte a skladujte při odpovídající teplotě a vlhkosti. Konkrétní pracovní teplotu a vlhkost naleznete v příslušných technických specifikacích zařízení.
- Neumísťujte zařízení tam, kde bude vystaveno vlhkosti, prachu, extrémnímu horku nebo chladu, silnému elektronickému záření nebo nestabilním světelným podmínkám.
- Neinstalujte zařízení v blízkosti zdrojů tepla, jako je radiátor, ohřívač, kotel nebo jiné zařízení generující teplo, aby nedošlo k požáru.
- Zamezte proniknutí kapalín do zařízení, aby nedošlo k poškození jeho vnitřních součástí.
- Zařízení instalujte vodorovně nebo je instalujte na stabilním místě, aby bylo chráněno před pádem.
- Zařízení instalujte na dobře větraném místě a neblokujte odvětrávací zařízení.
- Zařízení svedňte nedemontujte.
- Během přepravy, skladování a při nebezpečné údržbě, prudkým vibracím a nárazům, připevněte a je nebezpečné údržbu zabránit.
- Při přípravě použijte obal z výroby nebo obdobný obal.

Baterie

Nizké nabití baterie ovl