

Antenna Specifications

1. Antenna technical parameters

Design Specifications	Typical	Units
Antenna form	Foldable rod-shaped antenna	
Operating frequency (working Frequency)	2400~2500	MHz
gain (Gain)	3.0dBi (average) 4.01dBi (max.)	
Antenna efficiency (Antenna efficiency)	70%	
Voltage-standing wave ratio (VSWR)	≤1.5	
Polarization mode (Polarization)	linear polarization	
Radiation direction (Radiation pattern)	omnidirectional	
Feeding impedance (impedance)	50 Ω	
Power capacity (Power handling)	33dbm	
Antenna interface (Interface)	RP-SMA-J	
Connector property	Public head mother needle	
Antenna dimensions (Overall dimensions)	Φ 10x 109mm	mm
Weight (Weight)	6.5g	g
Color and material	White//ABS	
Salt fog grade	72H (connect)	
Operating temperature (Operating Temp)	-40°C~85°C	°C
Storage temperature (Storing Temp)	-45°C~85°C	°C

2. Connector parameters

2.1. Material and coating

order number	part name	material quality	cladding material	remarks
1	inner conductor	Brass line	gold-plating	
2	dielectric	teflon		
3	hull	Brass (HPb59-1)	cataphoresis	

2.2. Electrical performance

order number	surveillance project	qualification	remarks
1	characteristic impedance	50 Ω	
2	temperature range	-65~+165°C	
3	frequency range	0~12GHZ	
4	Medium pressure resistance	1000V(rms)	
5	contact resistance	Internal conductor 3m Ω external conductor 2m Ω	
6	insulation resistance	≥5000MΩ	
7	voltage standing-wave ratio	1.25 (Flexible cable)	

Antenna Specifications

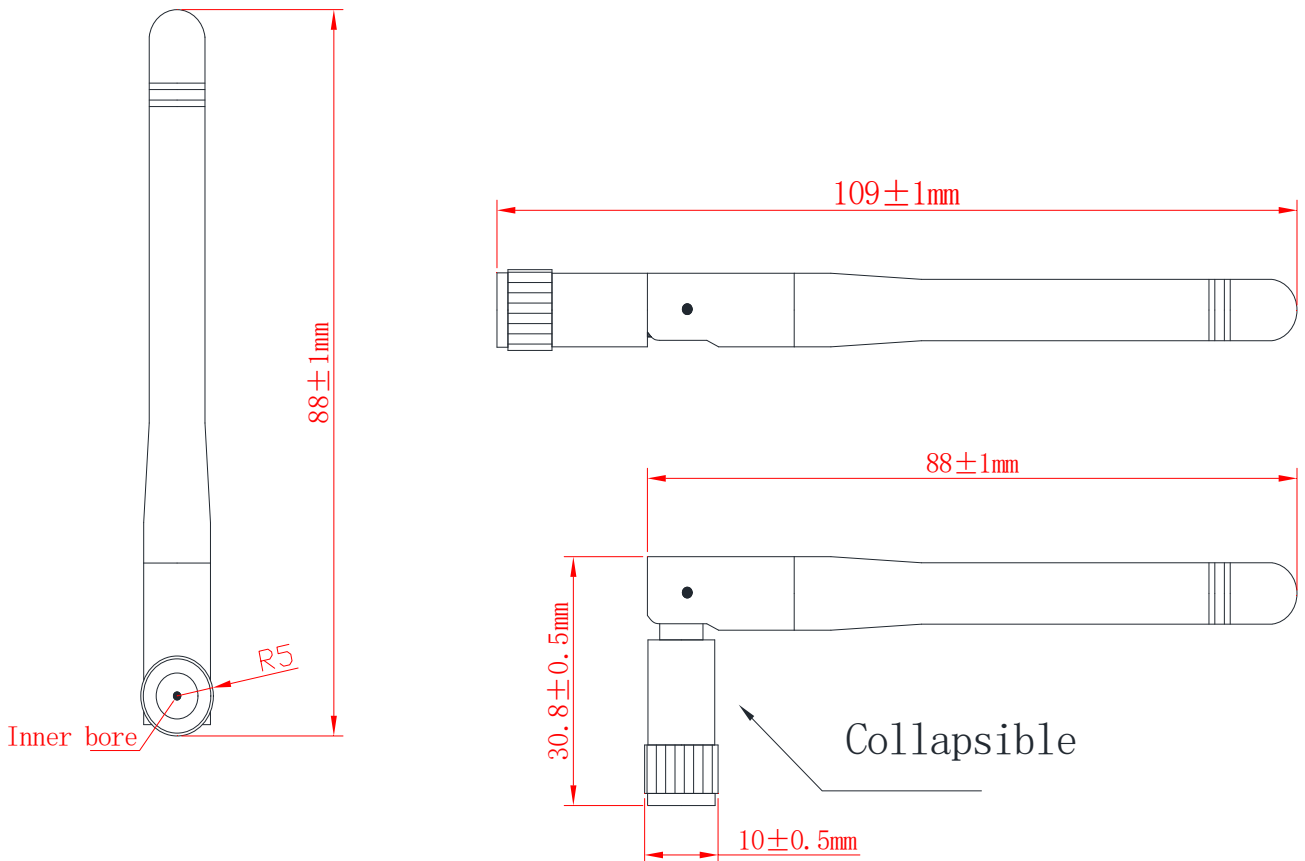
2.3. Mechanical properties

order number	mechanical behavior	qualification	remarks
1	mechanical endurance	Admito 500 times	

3. Product picture



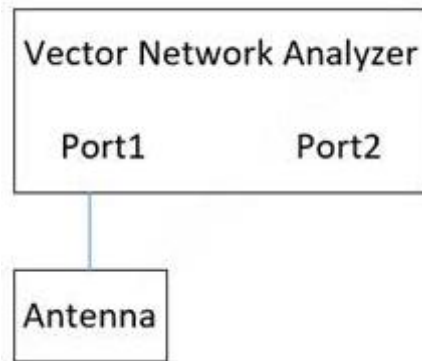
4. Product structure drawing (mm)



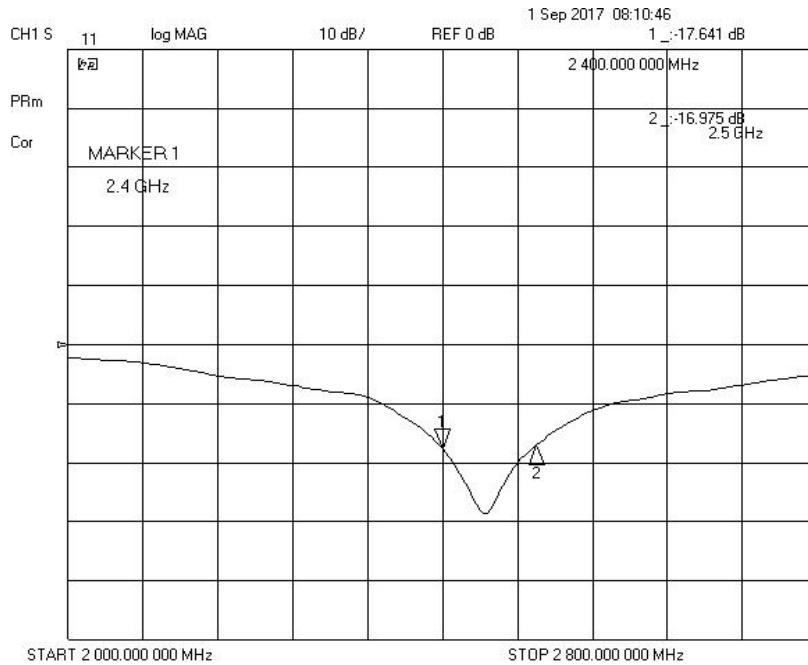
Antenna Specifications

5. Antenna performance test

VSWR/ Return Loss Test

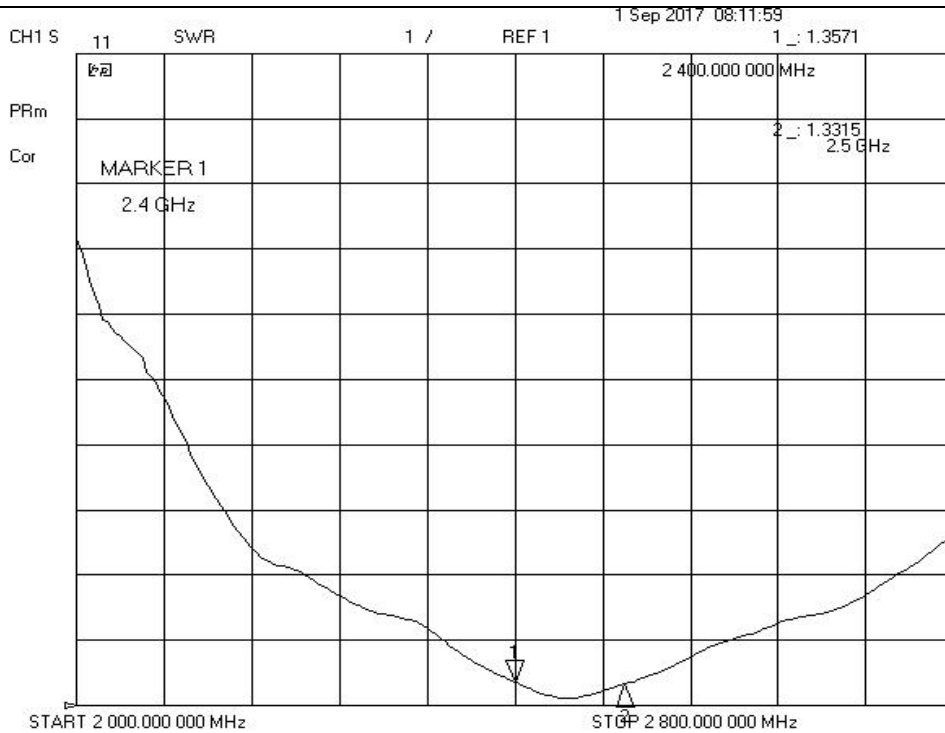


5.1. Return loss



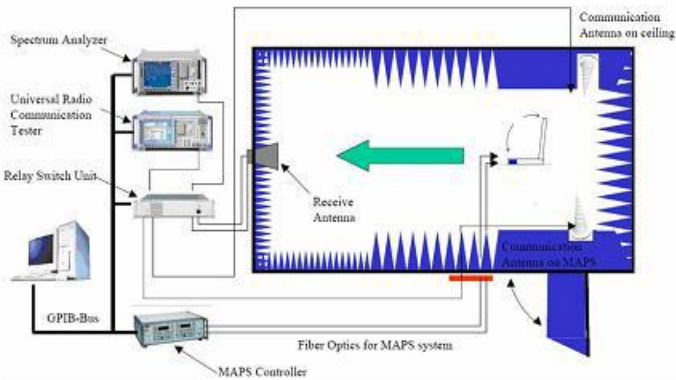
5.2. V.S.W.R

Antenna Specifications

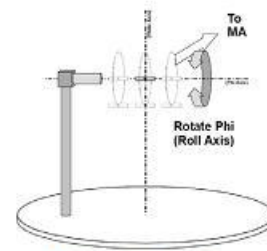


microwave chamber test

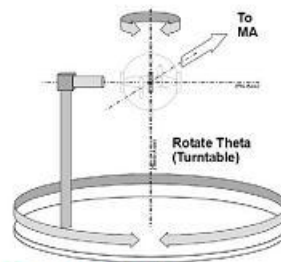
The test diagram is as follows:



(Testing by 3D anechoic chamber)



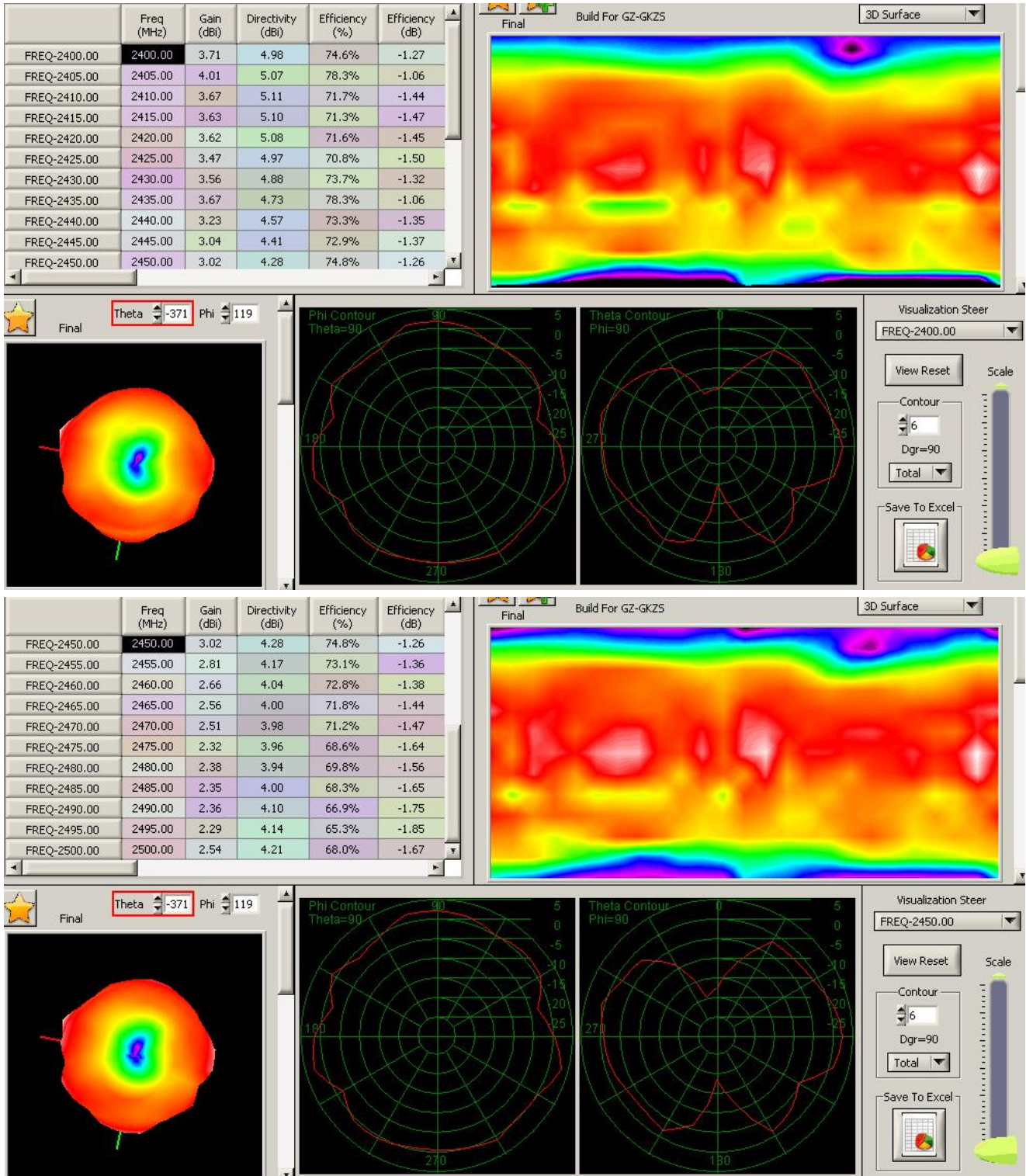
Phi axis test



Theta axis test

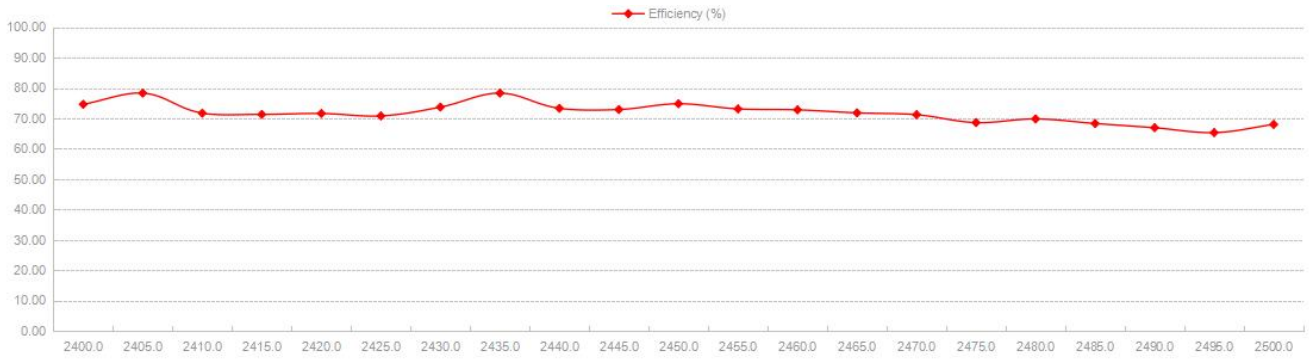
Antenna Specifications

5.3 Radiation Pattern



Antenna Specifications

5.4 Efficiency chart



5.5 Gain chart

